



US00D450503B1

(12) **United States Design Patent**
Gottwald

(10) **Patent No.:** **US D450,503 S**

(45) **Date of Patent:** **** Nov. 20, 2001**

(54) **TOILET PAPER HOLDER**

(75) **Inventor:** **Adolf Gottwald, Iserlohn (DE)**

(73) **Assignee:** **Friedrich Grohe AG & Co. KG,
Hemer (DE)**

(**) **Term:** **14 Years**

(21) **Appl. No.:** **29/142,607**

(22) **Filed:** **May 30, 2001**

(30) **Foreign Application Priority Data**

Dec. 1, 2000 (DE) 4 00 11 471

(51) **LOC (7) Cl.** **23-02**

(52) **U.S. Cl.** **D6/523**

(58) **Field of Search** D6/518, 522, 523,
D6/546-550; 242/590, 596, 597, 598; 211/131,
32, 35, 87.01, 88.04, 105.1, 105.2, 123,
181.1; 248/49, 214, 251, 302

(56) **References Cited**

U.S. PATENT DOCUMENTS

D. 218,331 * 8/1970 Uitz D6/523
D. 277,347 * 1/1985 Thompson D6/523

D. 304,402 * 11/1989 Hoose D6/523
D. 334,325 * 3/1993 Ingvorsen D8/14
D. 431,947 * 10/2000 Kopcak et al. D6/523
D. 432,830 * 10/2000 Gastelum et al. D6/523
D. 433,261 * 11/2000 Solowiej D6/523
D. 434,933 * 12/2000 Fiegl et al. D6/523
3,370,805 * 2/1968 Barbee 242/590 X

* cited by examiner

Primary Examiner—Brian N. Vinson

(74) *Attorney, Agent, or Firm*—Herbert Dubno

(57) **CLAIM**

The ornamental design for a toilet paper holder, as shown.

DESCRIPTION

FIG. 1 is a top, front, left-side perspective view of a toilet paper holder showing my new design;
FIG. 2 is a front elevational view thereof;
FIG. 3 is a rear elevational view thereof;
FIG. 4 is a left side elevational view thereof;
FIG. 5 is a right side elevational view thereof;
FIG. 6 is a top plan view thereof; and,
FIG. 7 is a bottom plan view thereof.

1 Claim, 4 Drawing Sheets

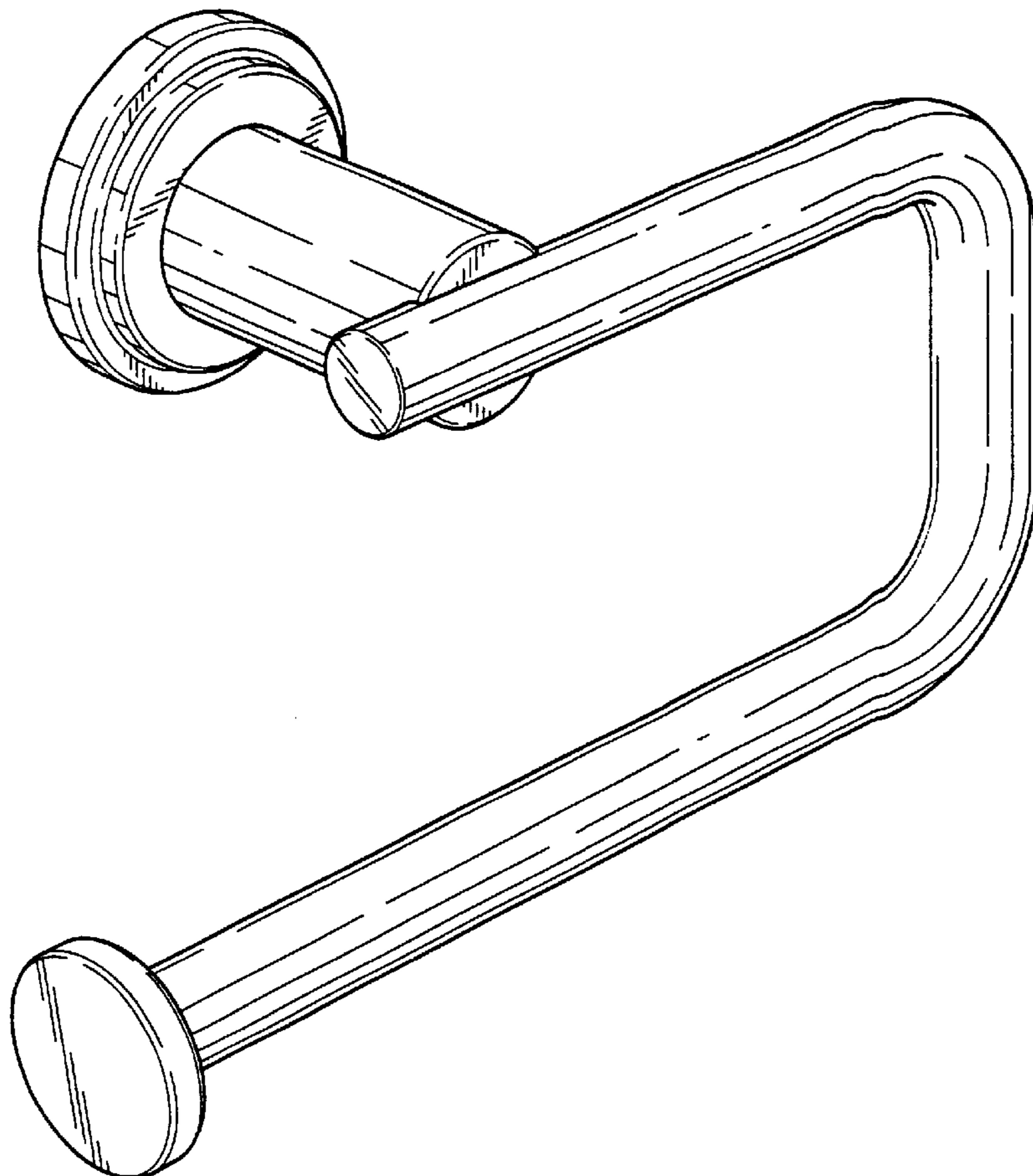


FIG. 1

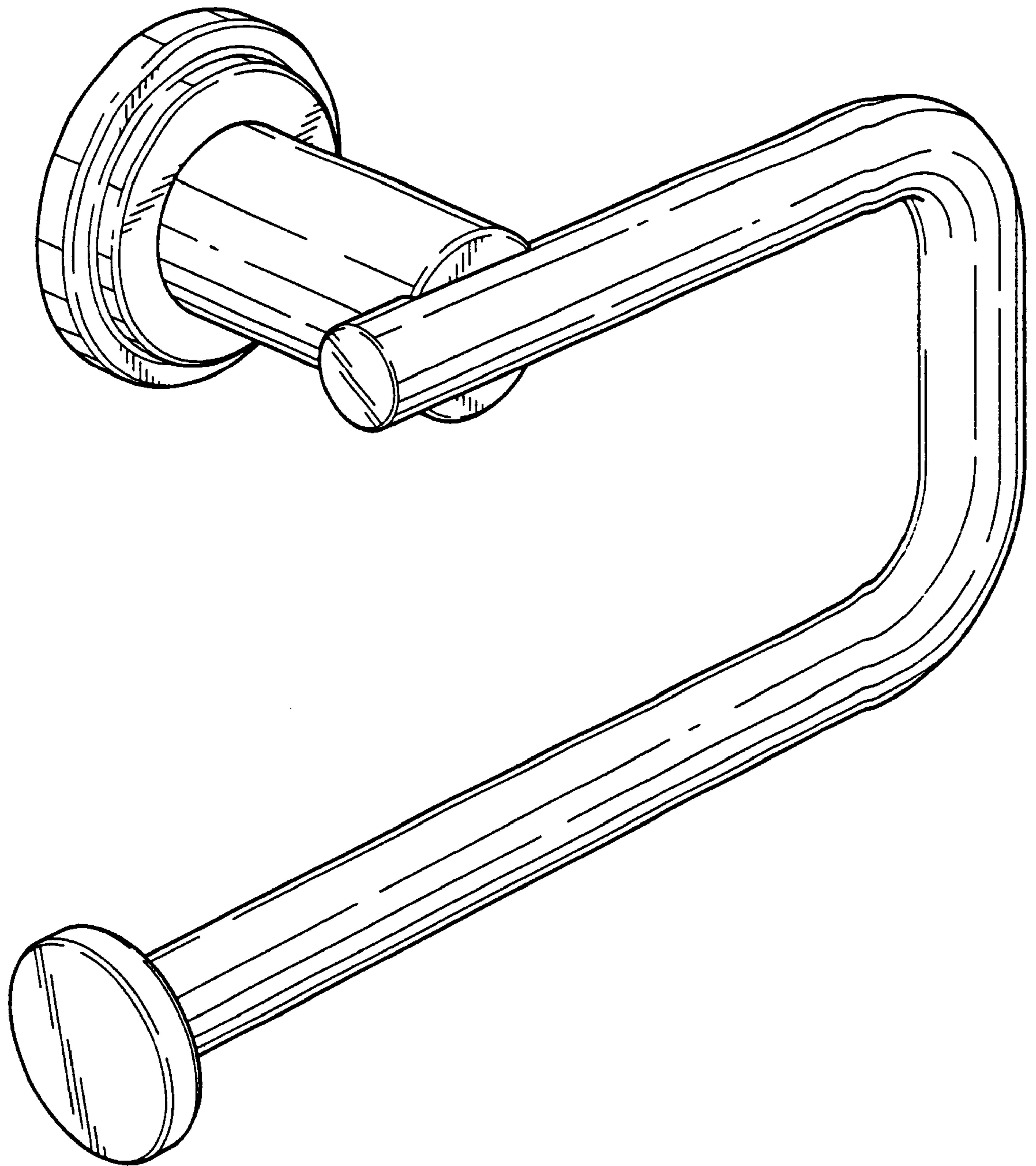


FIG. 2

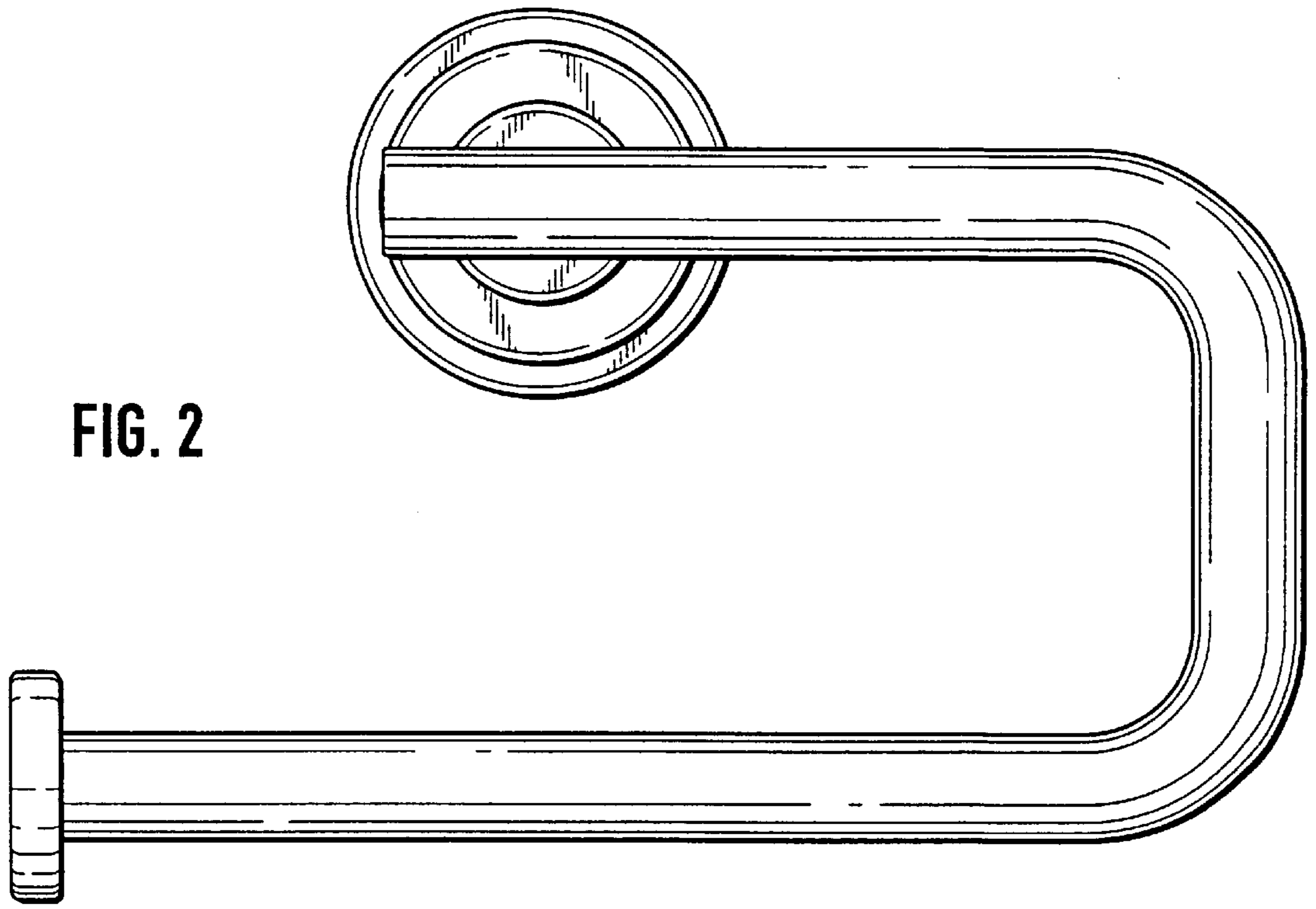
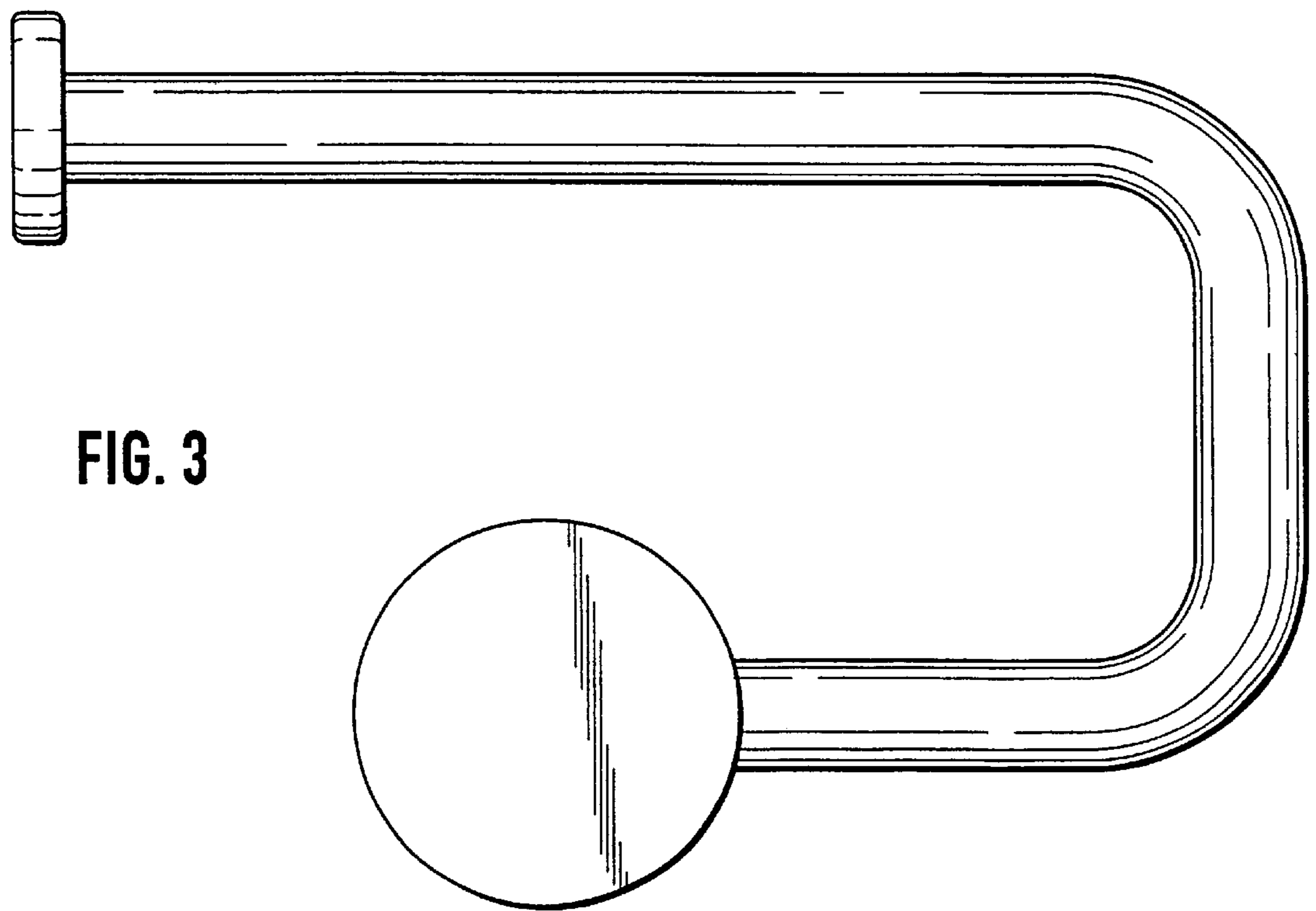


FIG. 3



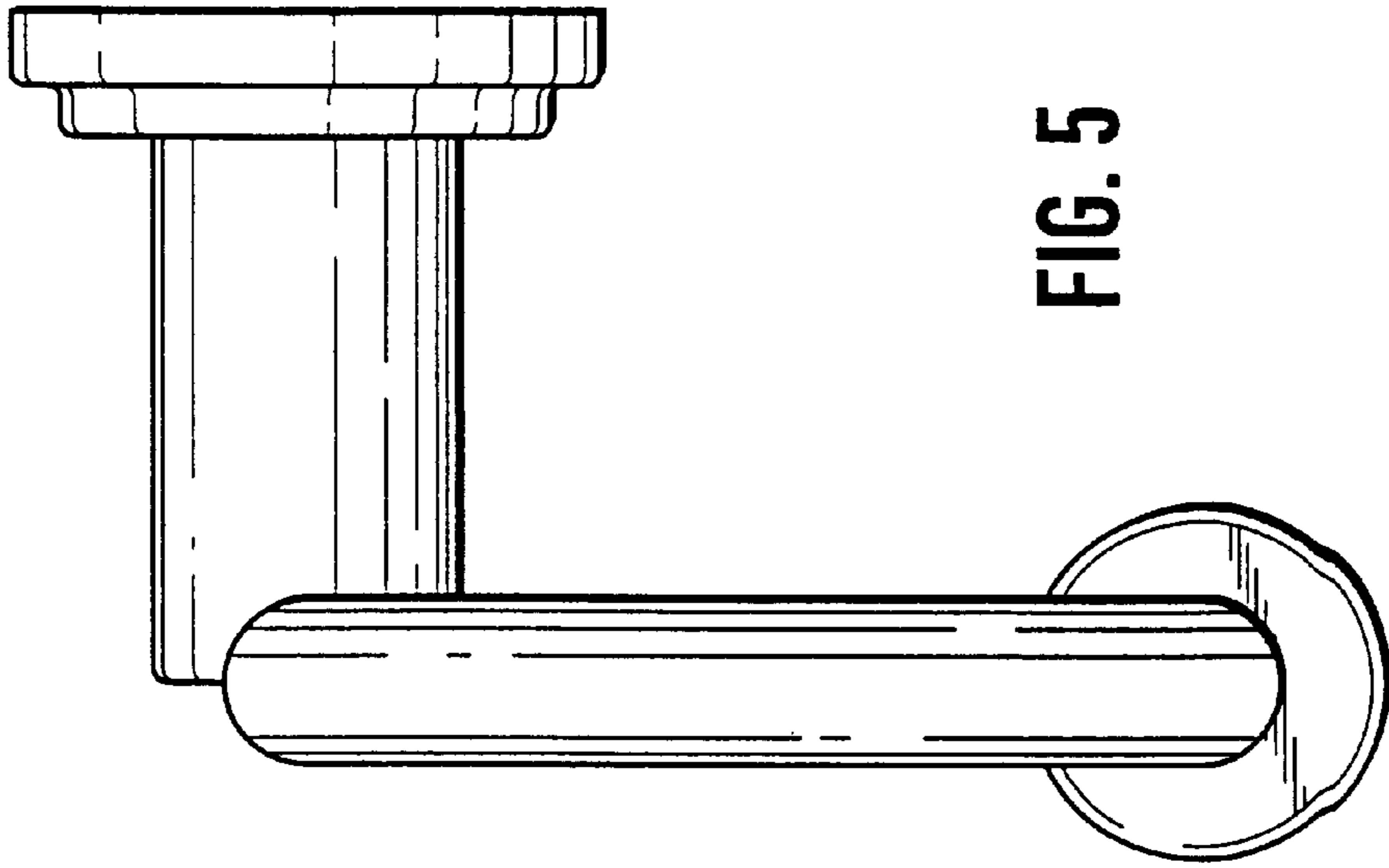


FIG. 5

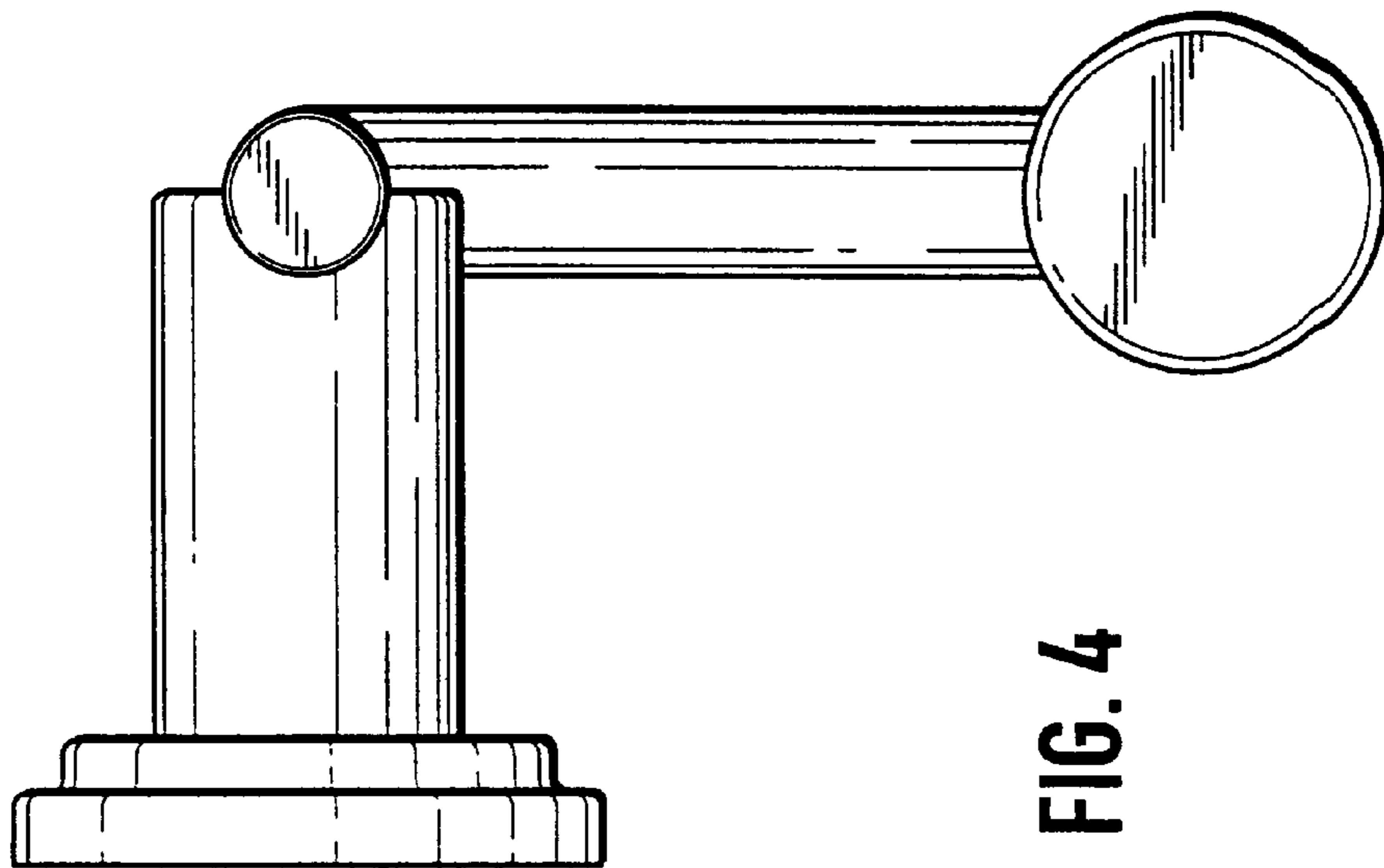


FIG. 4

FIG. 6

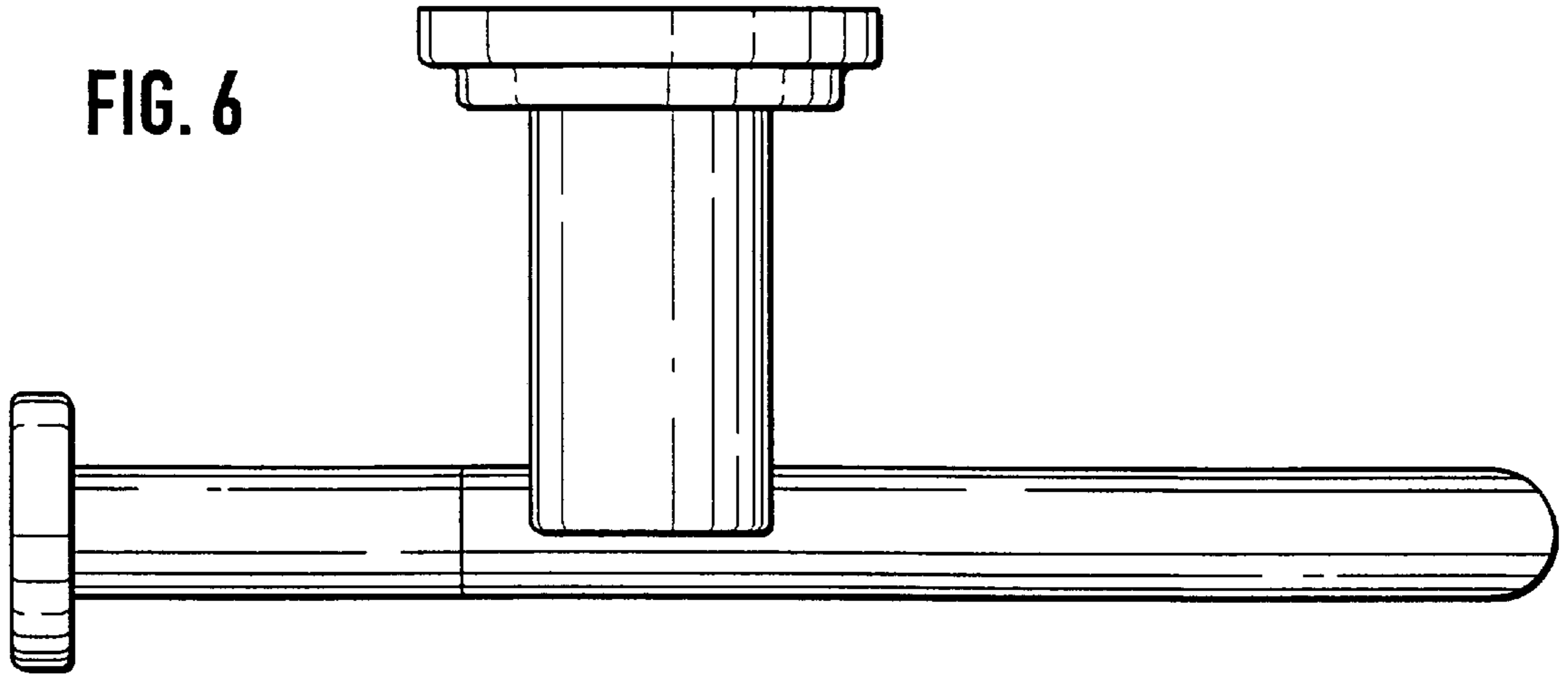


FIG. 7

