



US00D450502B1

(12) **United States Design Patent**
Goodman et al.

(10) **Patent No.:** **US D450,502 S**

(45) **Date of Patent:** **** Nov. 20, 2001**

(54) **WALL-MOUNT PAPER TOWEL HOLDER**

(75) Inventors: **Sheldon H. Goodman**, 30905 Stratford, Solon, OH (US) 44139; **Brian Stelmarski**, Mayfield Heights, OH (US)

(73) Assignee: **Sheldon H. Goodman**, Solon, OH (US)

(**) Term: **14 Years**

(21) Appl. No.: **29/135,546**

(22) Filed: **Jan. 12, 2001**

(51) **LOC (7) Cl.** **23-02**

(52) **U.S. Cl.** **D6/522**

(58) **Field of Search** D6/546-50, 518, D6/522-24; D8/300, 307-308, 315-21; 108/28-29; 211/13.1, 16, 60.1, 86.01, 87.01, 88.04, 100, 105.1-105.2, 123, 181.1, 182; 242/570, 590, 595, 597-98; 248/175, 176.1, 251, 302; 16/110.1, 412, 415

(56) **References Cited**

U.S. PATENT DOCUMENTS

D. 432,829 * 10/2000 Gastelum et al. D6/523

D. 432,830 * 10/2000 Gastelum et al. D6/523

D. 433,261 * 11/2000 Solowiej D6/523

D. 442,406 * 5/2001 Goodman et al. D6/523

* cited by examiner

Primary Examiner—Brian N. Vinson

(74) *Attorney, Agent, or Firm*—Pearne & Gordon LLP

(57) **CLAIM**

The ornamental design for a wall-mount paper towel holder, as shown and described.

DESCRIPTION

FIG. 1 is a perspective view of a wall-mount paper towel holder showing our new design;

FIG. 2 is a front elevational view thereof;

FIG. 3 is a right side elevational view thereof;

FIG. 4 is a left side elevational view thereof;

FIG. 5 is a rear elevational view thereof;

FIG. 6 is a top plan view thereof; and,

FIG. 7 is a bottom plan view thereof.

The broken-line disclosure of elements in the views is for illustrative purposes only and forms no part of the claimed design.

1 Claim, 2 Drawing Sheets

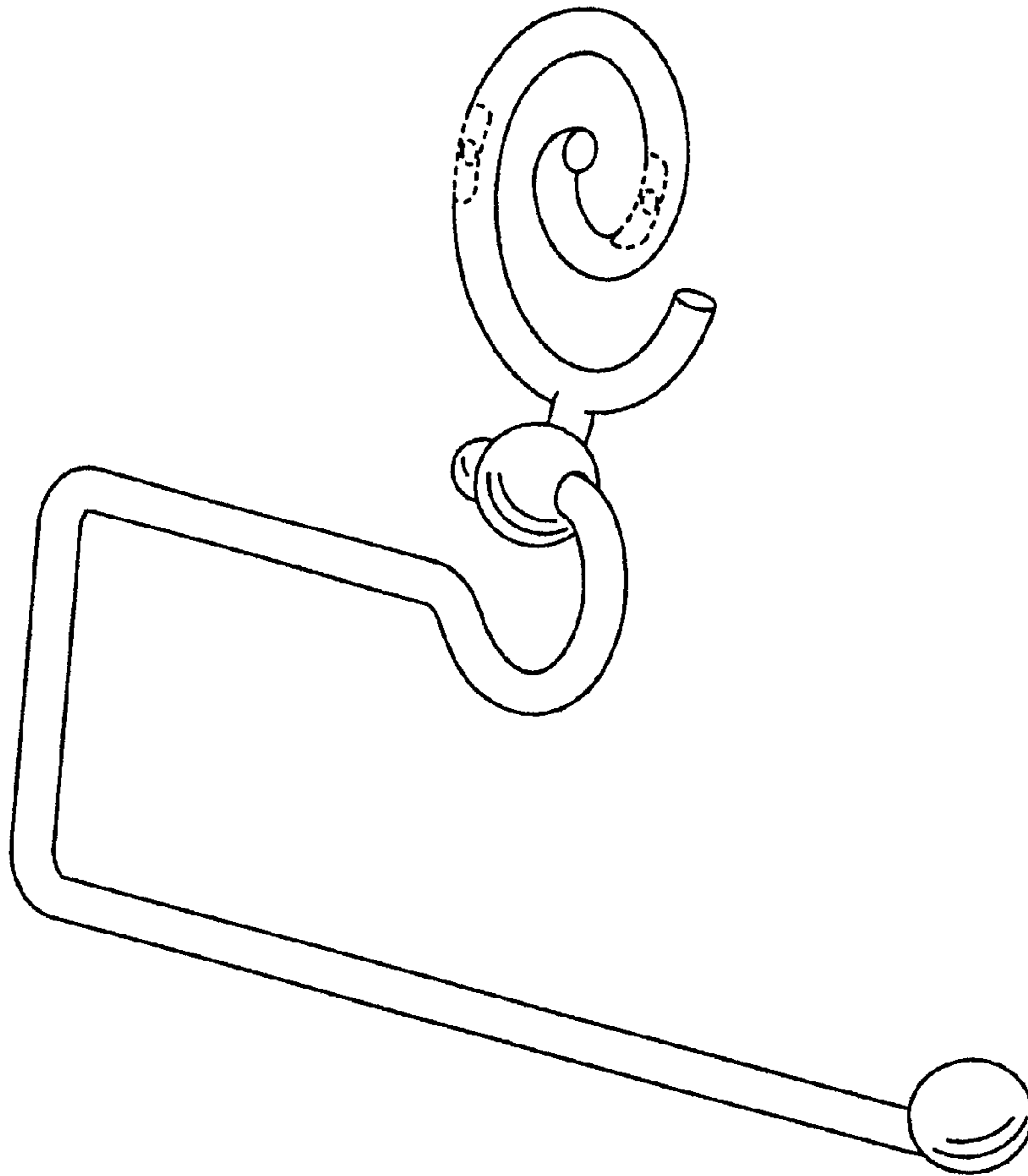


Fig. 1

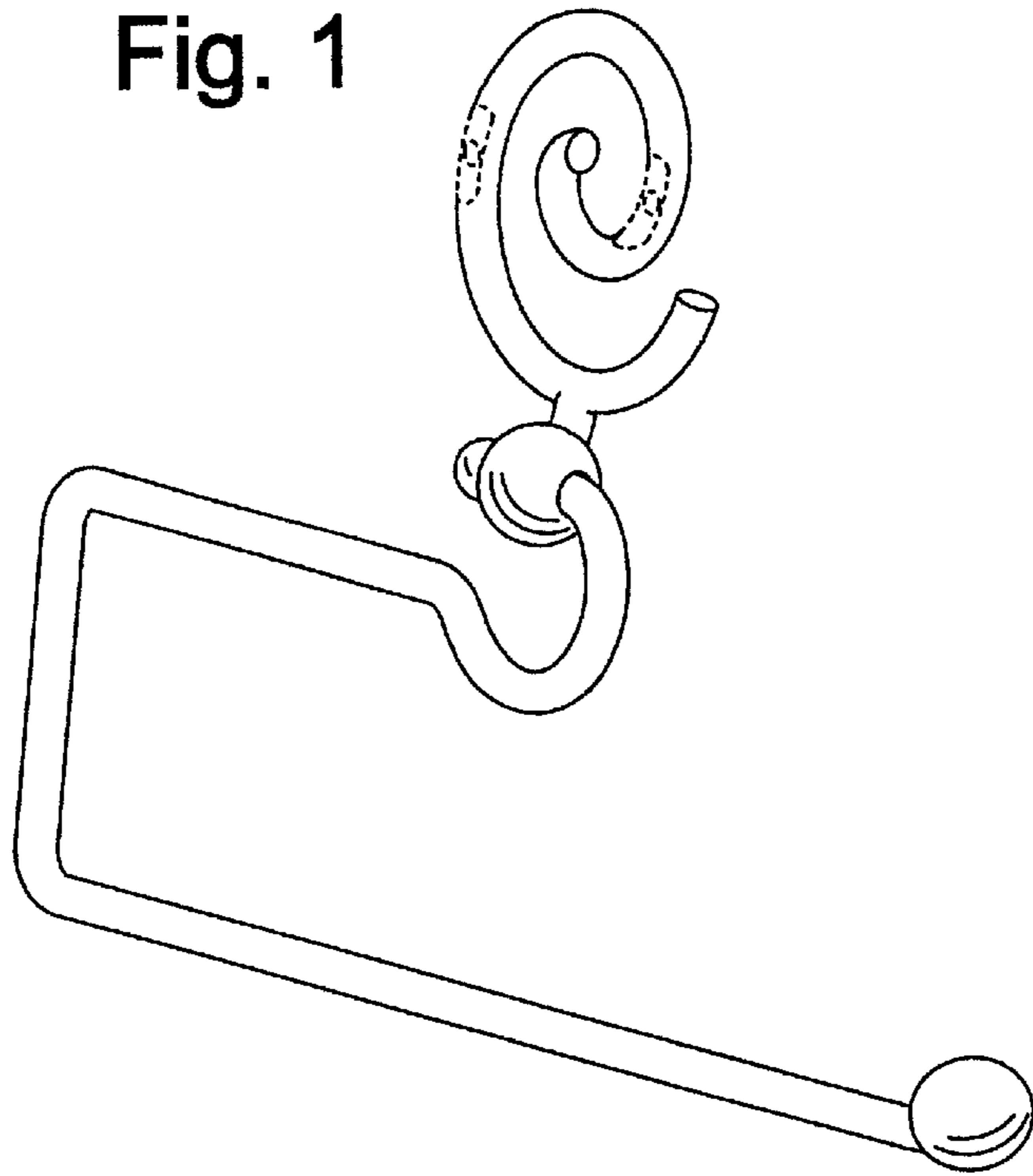


Fig. 2

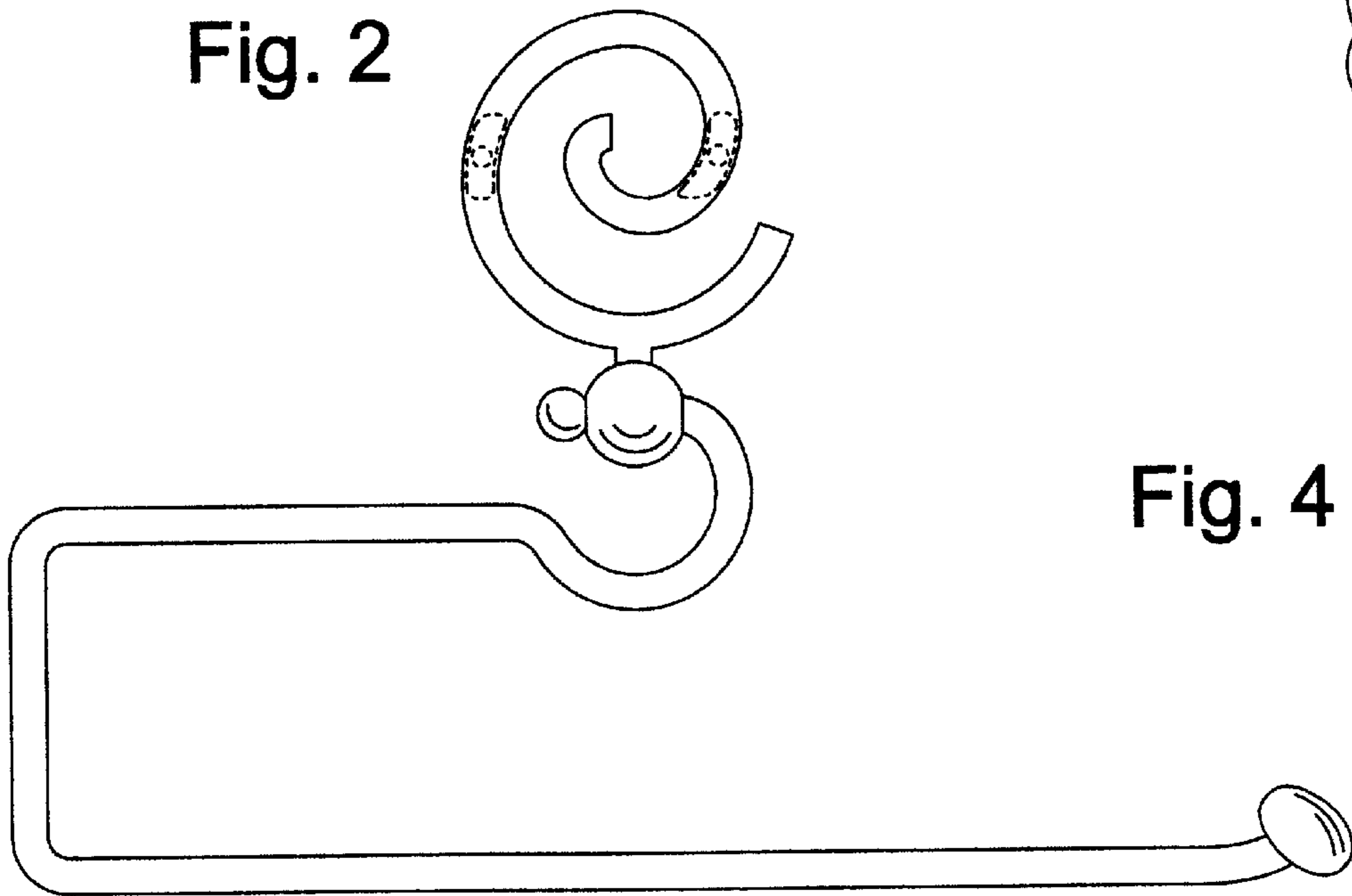


Fig. 3



Fig. 4

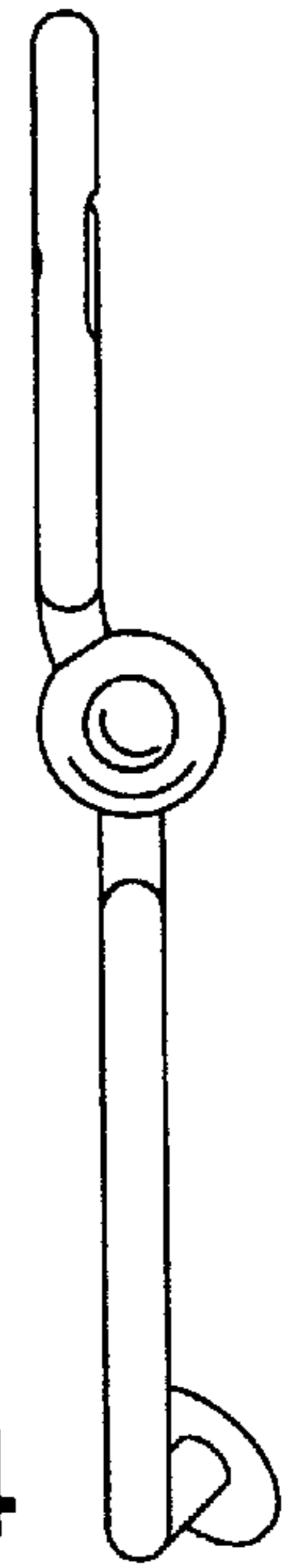


Fig. 5

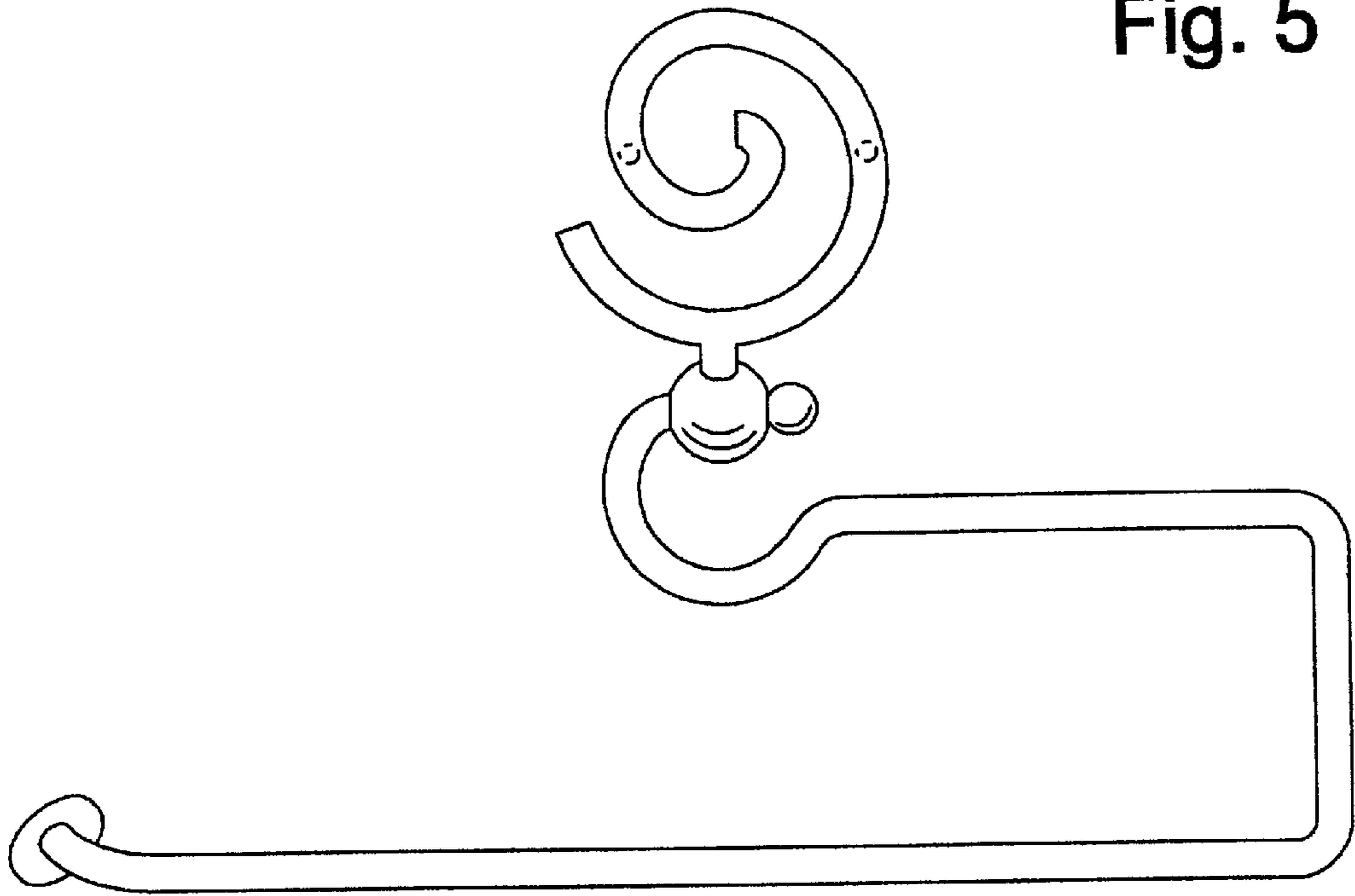


Fig. 7



Fig. 6

