



US00D450500B1

(12) **United States Design Patent**
Andersson

(10) **Patent No.:** **US D450,500 S**

(45) **Date of Patent:** **** Nov. 20, 2001**

(54) **PAPER DISPENSER**

(75) Inventor: **Jerker Andersson, Göteborg (SE)**

(73) Assignee: **SCA Hygiene Products AB,**
Gothenburg (SE)

(**) Term: **14 Years**

(21) Appl. No.: **29/130,027**

(22) Filed: **Sep. 27, 2000**

Related U.S. Application Data

(62) Division of application No. 29/114,422, filed on Nov. 24, 1999, now Pat. No. Des. 436,272.

(30) **Foreign Application Priority Data**

May 26, 1999 (SE) 99-0943
May 26, 1999 (SE) 99-0950
May 26, 1999 (SE) 99-0951

(51) **LOC (7) Cl.** **20-02**

(52) **U.S. Cl.** **D6/518**

(58) **Field of Search** D6/515, 518, 521,
D6/522, 523; 206/389, 824; 221/26, 33,
282, 283; 242/520; 312/34.1, 34.4, 34.8

(56) **References Cited**

U.S. PATENT DOCUMENTS

D. 316,788 5/1991 Fischer et al. .

D. 321,803 11/1991 Dawson .
D. 337,679 7/1993 Guigiaro .
D. 398,797 9/1998 Brandenburg et al. .
5,772,291 6/1998 Byrd et al. .
5,868,275 2/1999 Moody .

Primary Examiner—Brian N. Vinson

(74) *Attorney, Agent, or Firm*—Burns, Doane, Swecker & Mathis, L.L.P.

(57) **CLAIM**

The ornamental design for a paper dispenser, as shown and described.

DESCRIPTION

FIG. 1 is a front, side perspective view of a paper dispenser showing my new design;

FIG. 2 is a side perspective view thereof, with the casing portion being shown in an open position;

FIG. 3 is a rear perspective view of the casing portion of the paper dispenser shown in FIG. 1, with the wall mounting portion being removed for clarity;

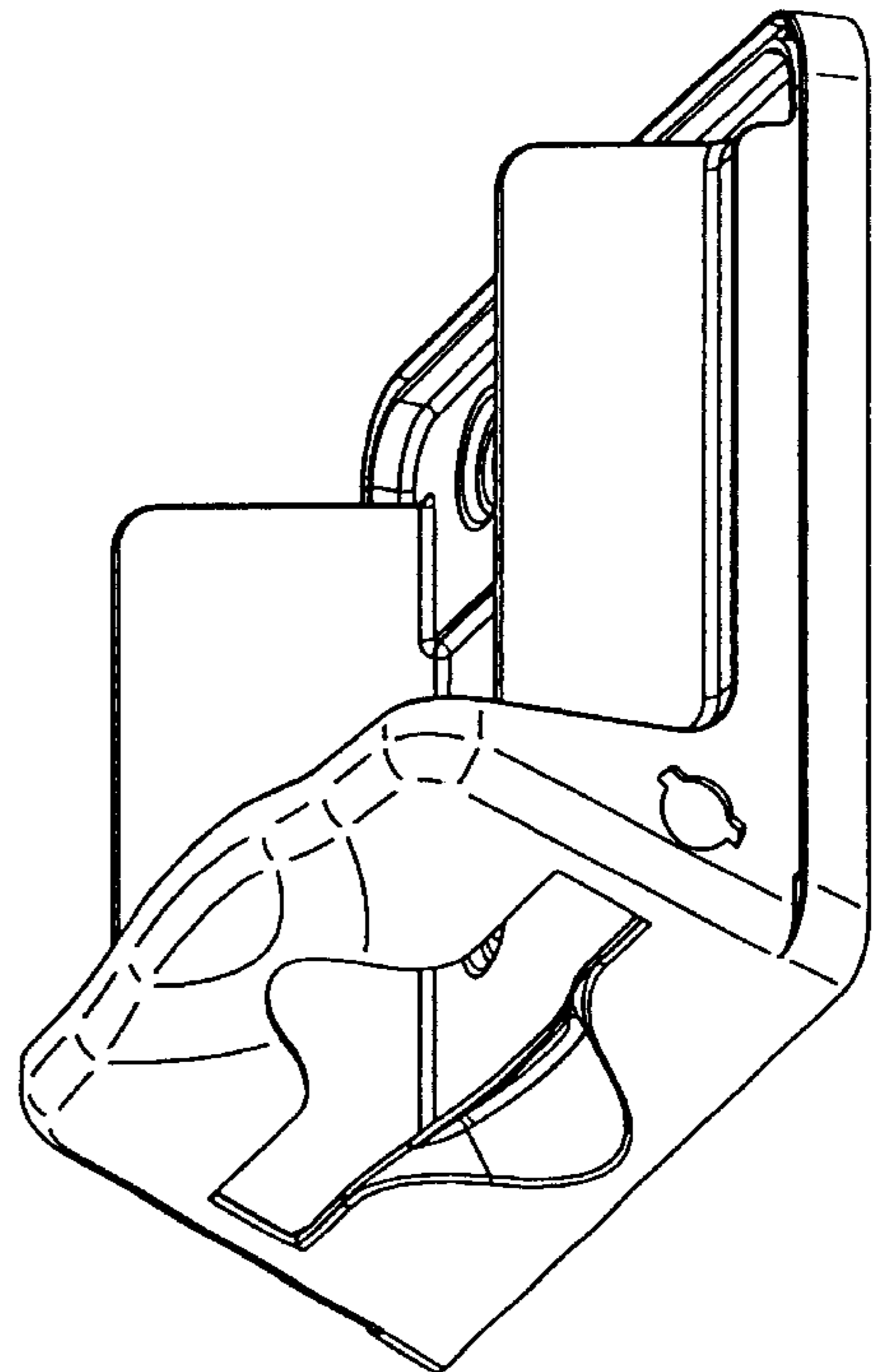
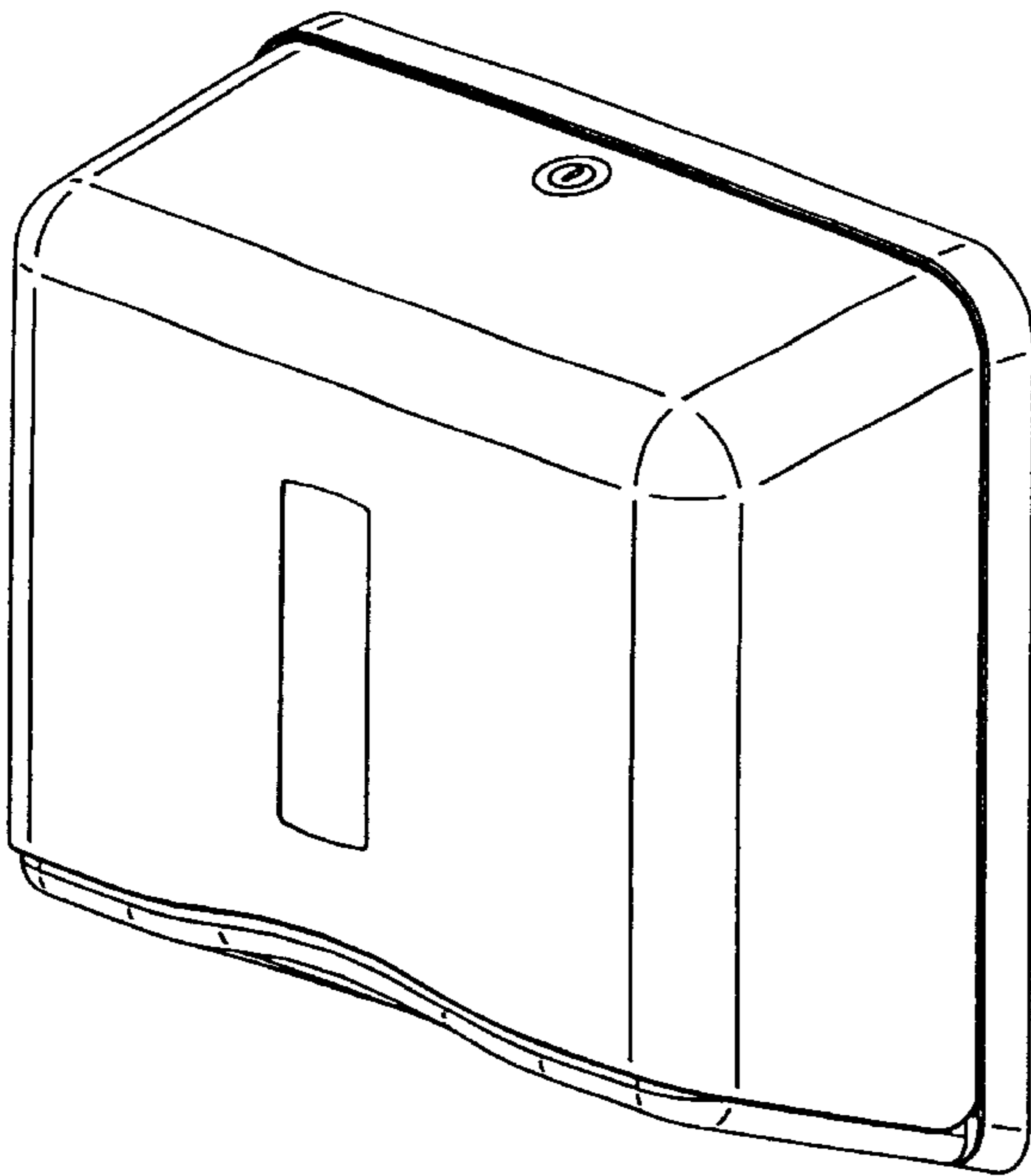
FIG. 4 is a front, side perspective view of the wall mounting portion of the paper dispenser shown in FIG. 1, with the casing portion being removed for clarity;

FIG. 5 is a bottom perspective view thereof;

FIG. 6 is a further bottom perspective view thereof; and,

FIG. 7 is a rear perspective view thereof.

1 Claim, 4 Drawing Sheets



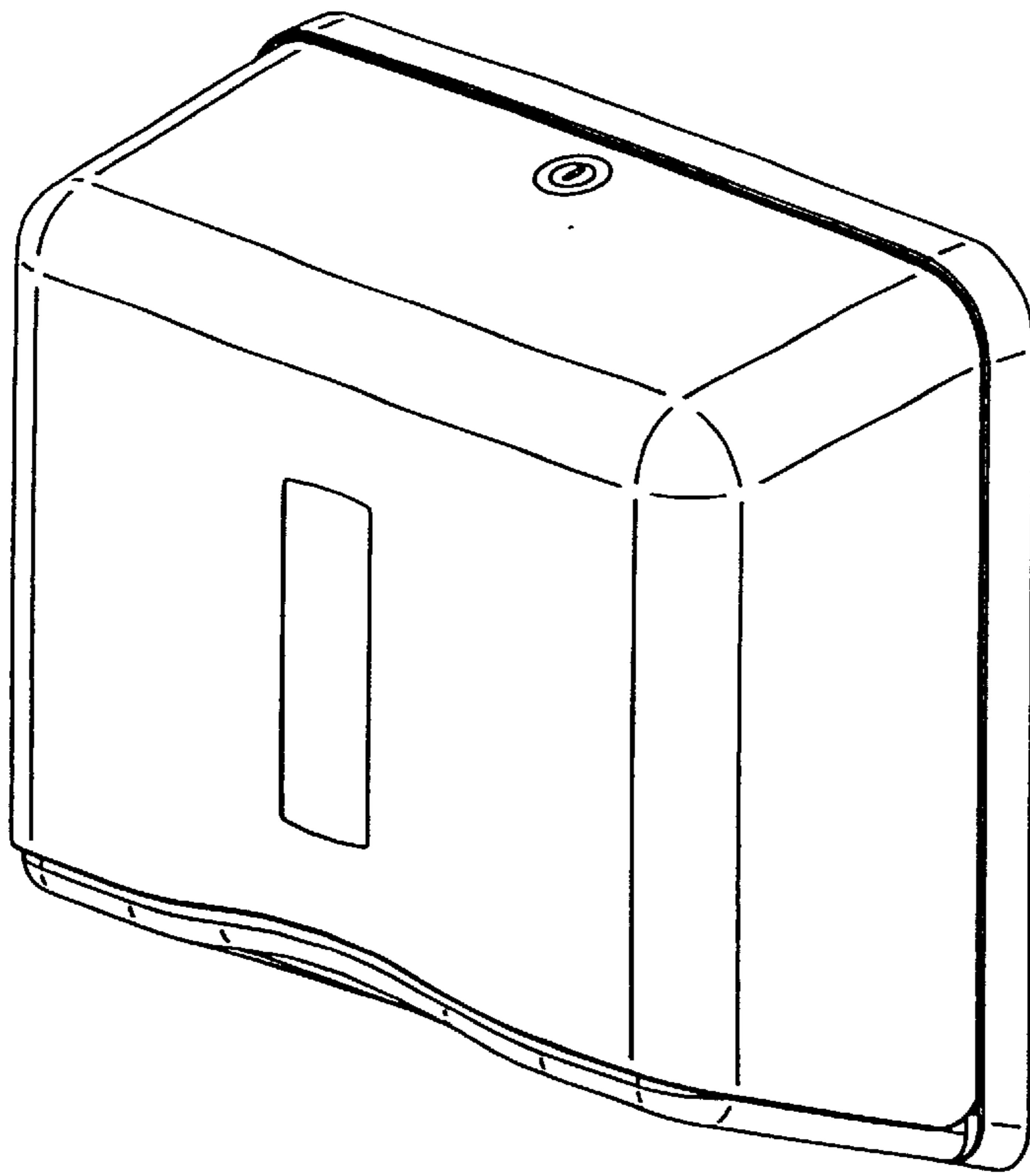
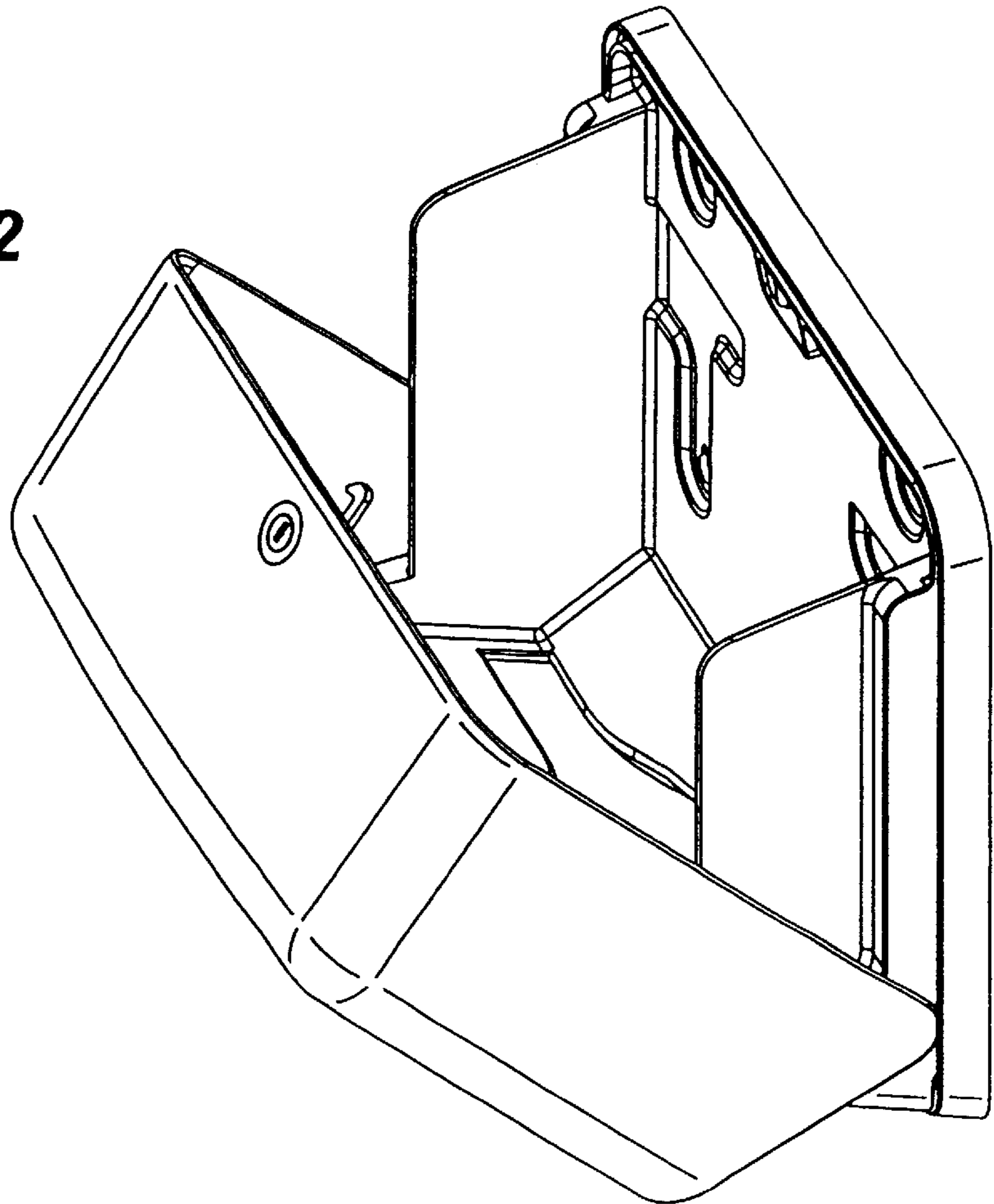


FIG. 1

FIG. 2



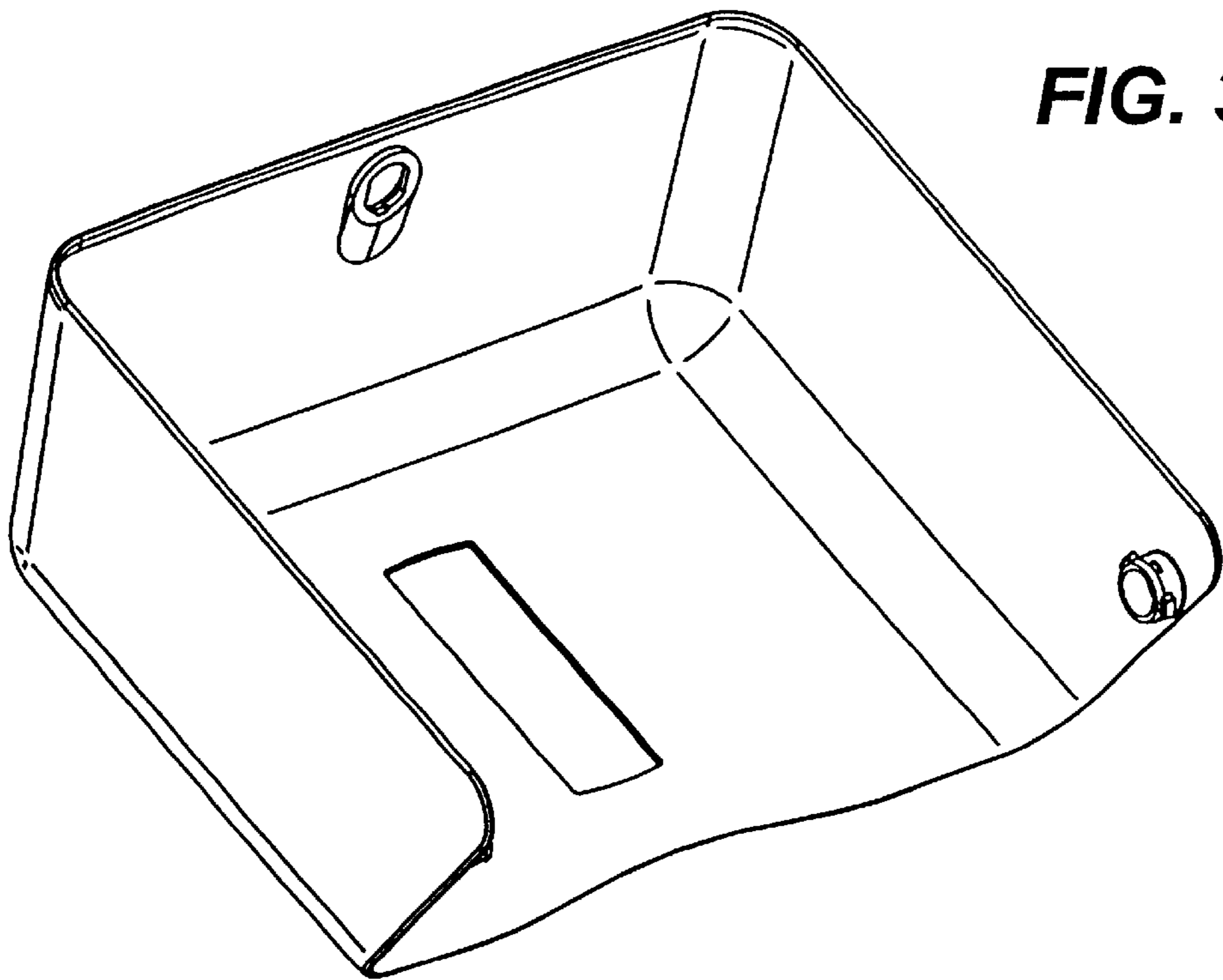
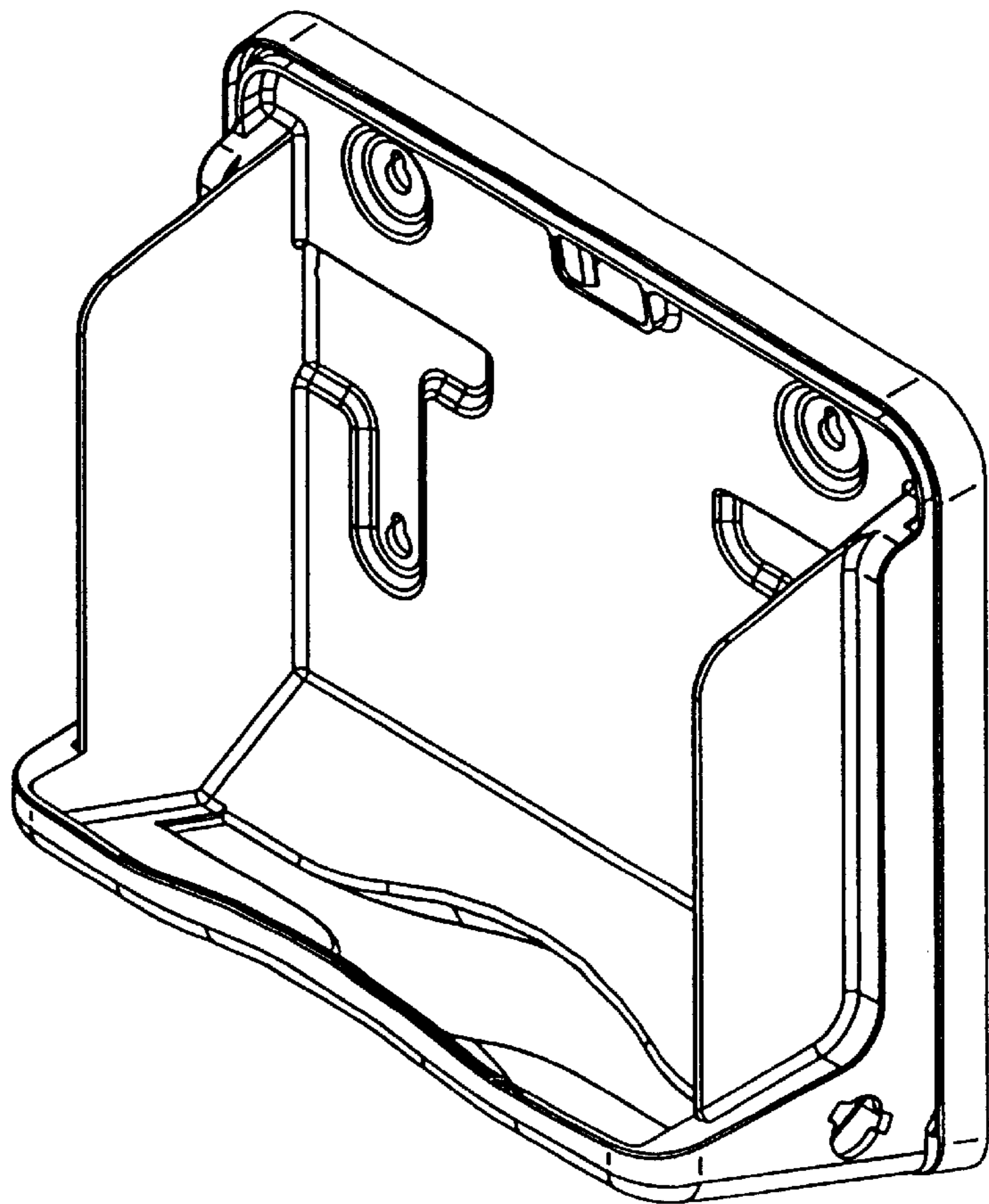


FIG. 3

FIG. 4



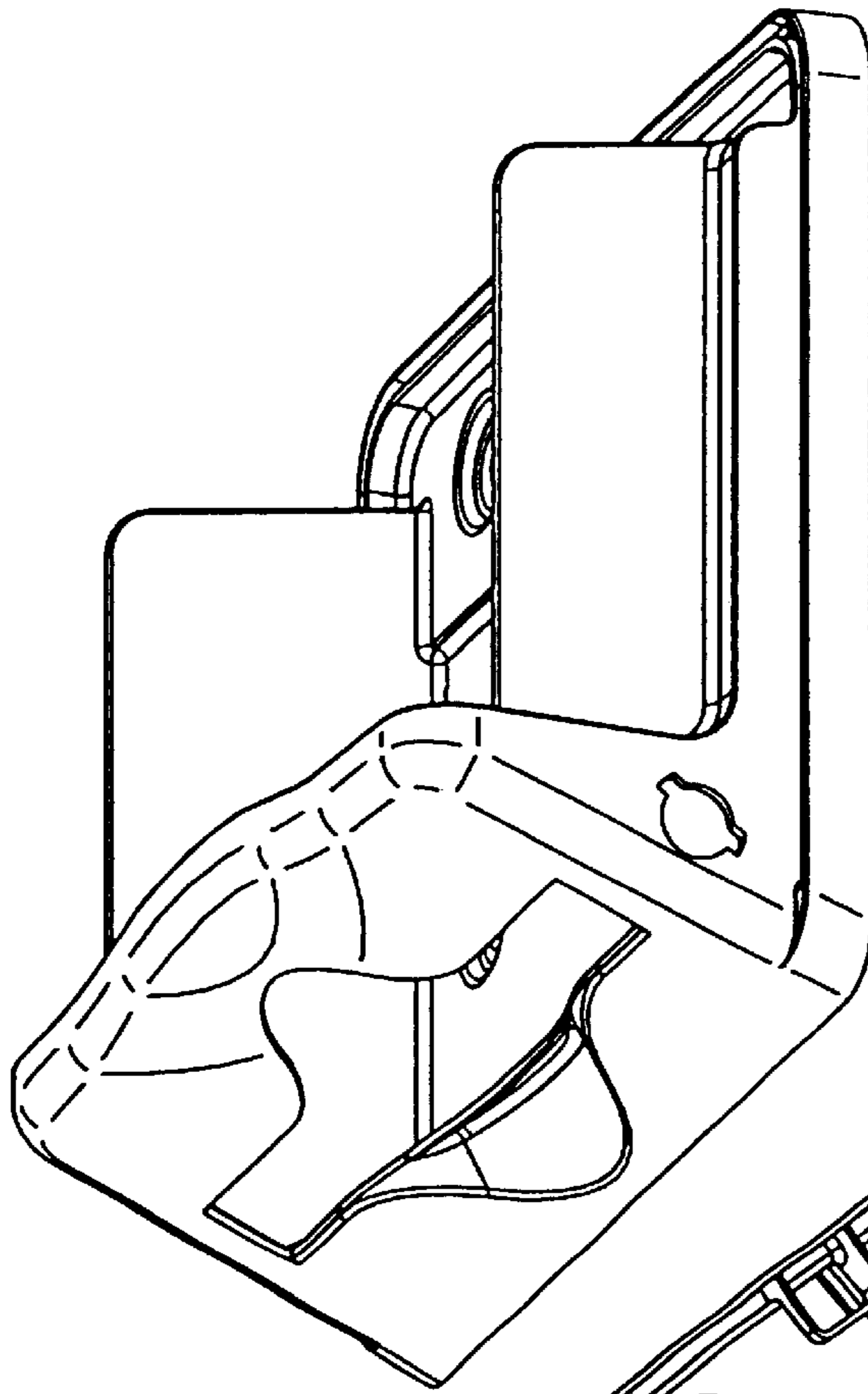


FIG. 5

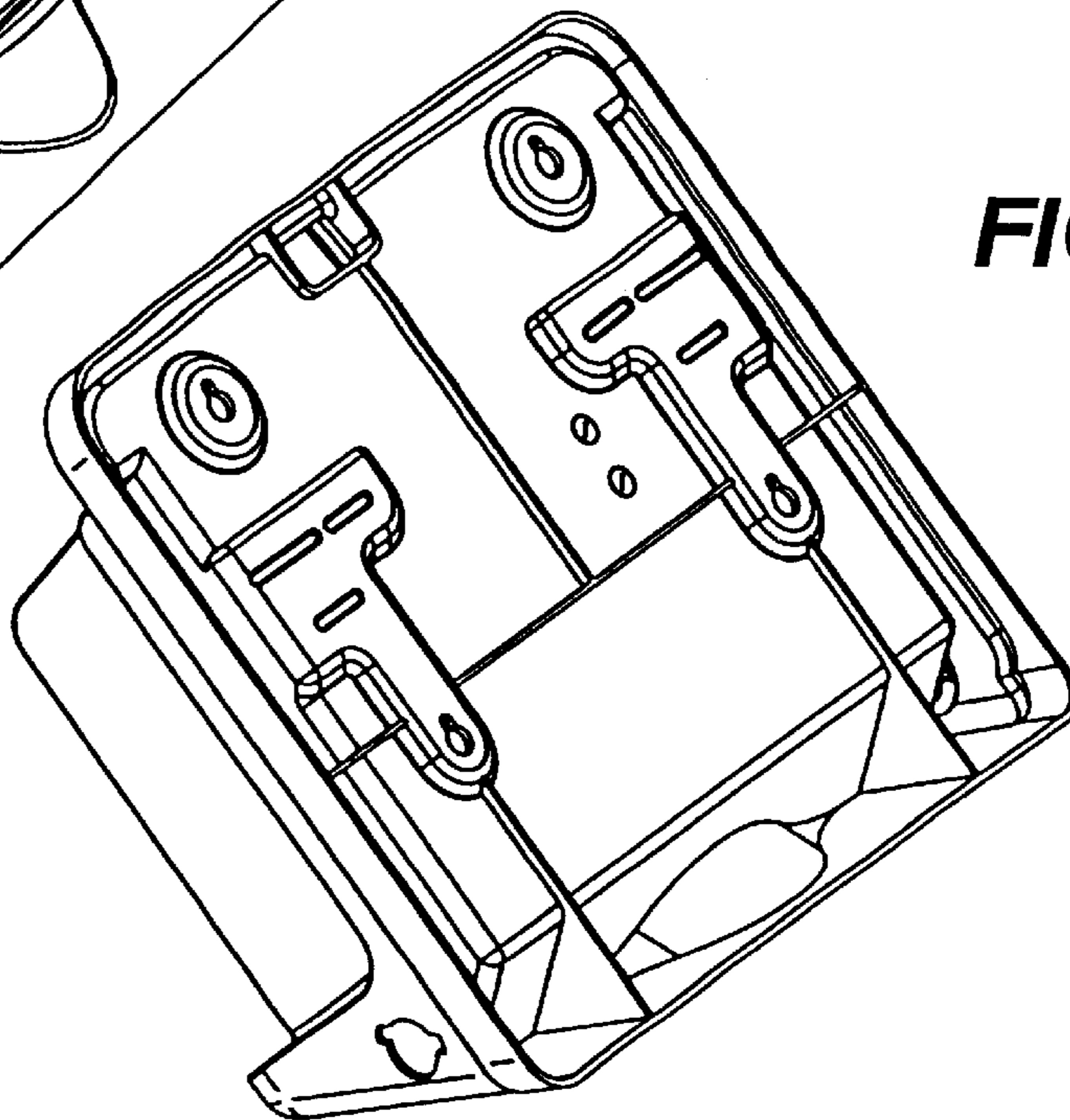


FIG. 7

FIG. 6

