



US00D450499B1

(12) **United States Design Patent**
Morrow

(10) **Patent No.:** **US D450,499 S**

(45) **Date of Patent:** **** Nov. 20, 2001**

(54) **DRAWER PANEL**

(75) Inventor: **David P. Morrow**, Winnipeg (CA)

(73) Assignee: **Palliser Furniture Ltd.**, Winnipeg (CA)

(**) Term: **14 Years**

(21) Appl. No.: **29/134,978**

(22) Filed: **Jan. 3, 2001**

Related U.S. Application Data

(62) Division of application No. 29/117,701, filed on Jan. 28, 2000, now Pat. No. Des. 440,086.

(51) **LOC (7) Cl.** **06-06**

(52) **U.S. Cl.** **D6/510**

(58) **Field of Search** D6/422, 425, 426,
D6/428, 432, 445, 446, 448, 491, 492,
510; 312/117, 119, 120, 138.1, 198, 199,
204, 326

(56) **References Cited**

U.S. PATENT DOCUMENTS

- D. 100,999 8/1936 Jiranek .
- D. 101,222 9/1936 Jiranek .
- D. 154,920 8/1949 Guild et al. .
- D. 165,554 12/1951 Schikat .
- D. 384,265 9/1997 Saravis .

D. 416,404 11/1999 Patel et al. .

D. 417,350 12/1999 Zaidman .

Primary Examiner—Cathron C. Brooks

(74) *Attorney, Agent, or Firm*—Barnes & Thornburg

(57) **CLAIM**

The ornamental design for a drawer panel, as shown and described.

DESCRIPTION

FIG. 1 is a front, right side perspective view of a drawer panel and the front, left side perspective view is a mirror image;

FIG. 2 is a front view of the drawer panel of FIG. 1;

FIG. 3 is a right side view of the drawer panel of FIG. 1 and the left side view of the drawer panel is a mirror image;

FIG. 4 is a top plan view of the drawer panel of FIG. 1;

FIG. 5 is an enlarged front view of the drawer panel of FIG. 1;

FIG. 6 is a cross-sectional view at 6—6 in FIG. 5;

FIG. 7 is a cross-sectional view at 7—7 in FIG. 5;

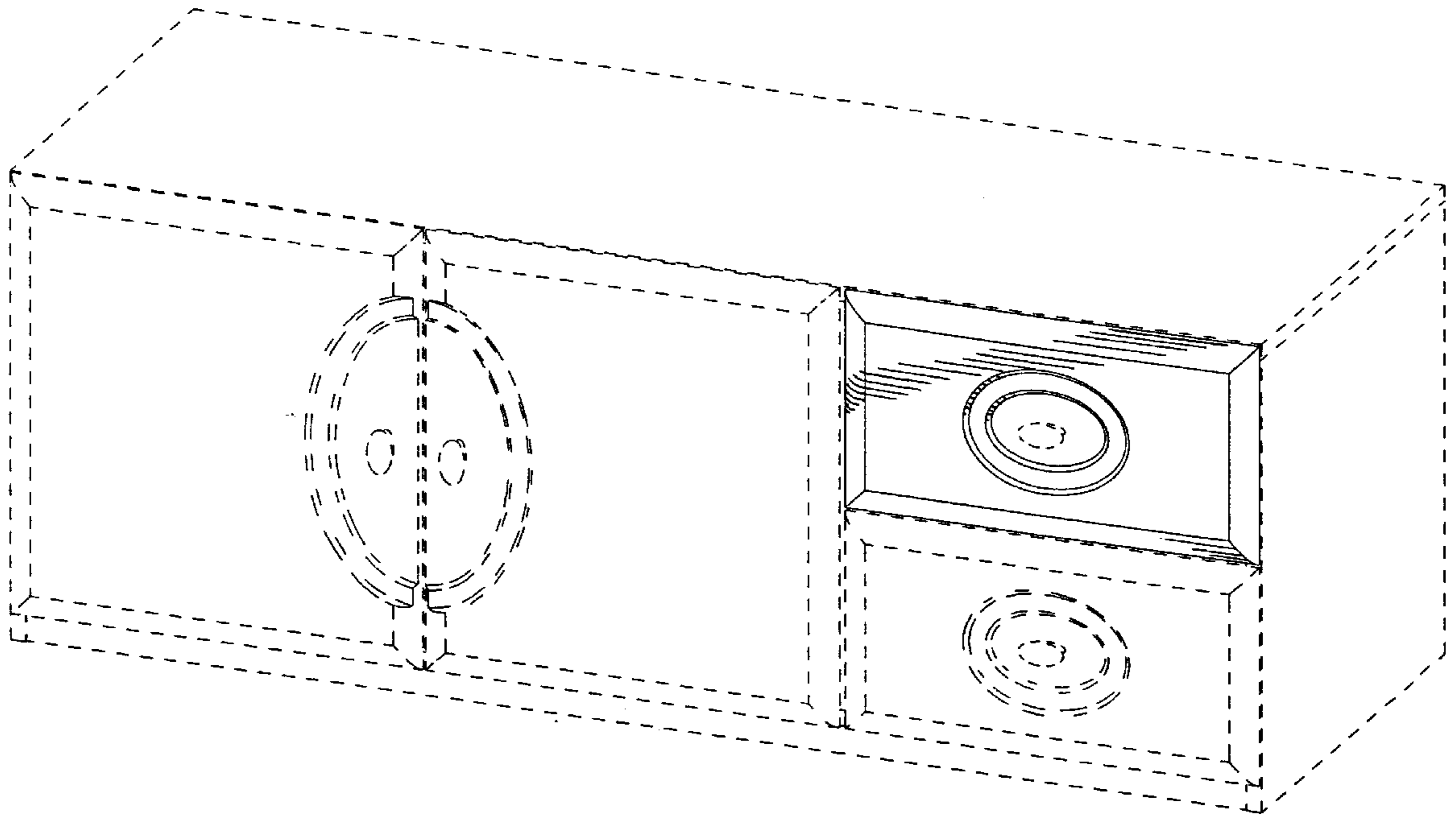
FIG. 8 is a front view of a second embodiment of the drawer panel embodying my design;

FIG. 9 is a cross-sectional view at lines 9—9 in FIG. 8; and,

FIG. 10 is a cross-sectional view at 10—10 in FIG. 8.

The portions shown in broken lines do not form part of the claimed design.

1 Claim, 6 Drawing Sheets



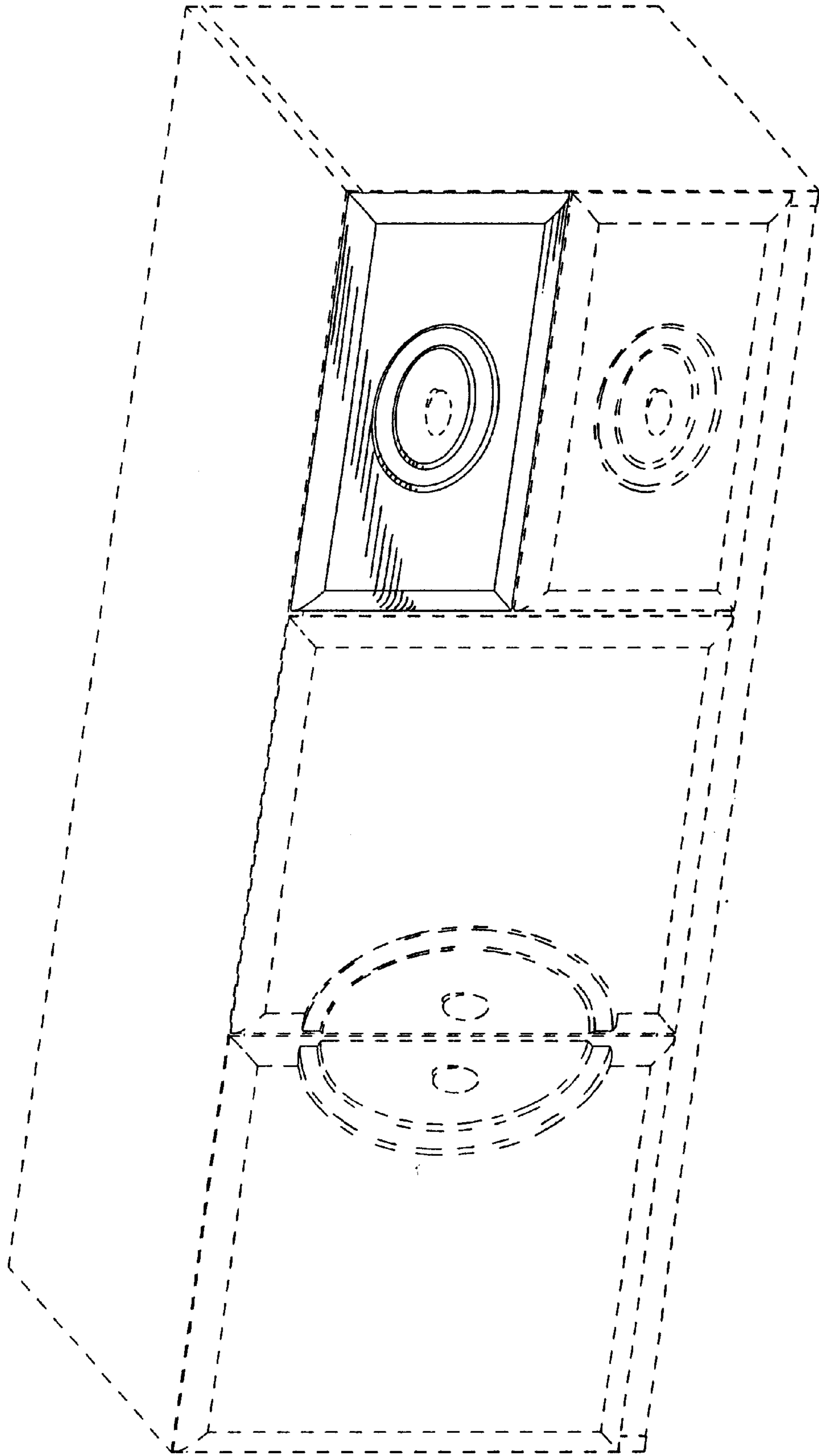


FIG. 1

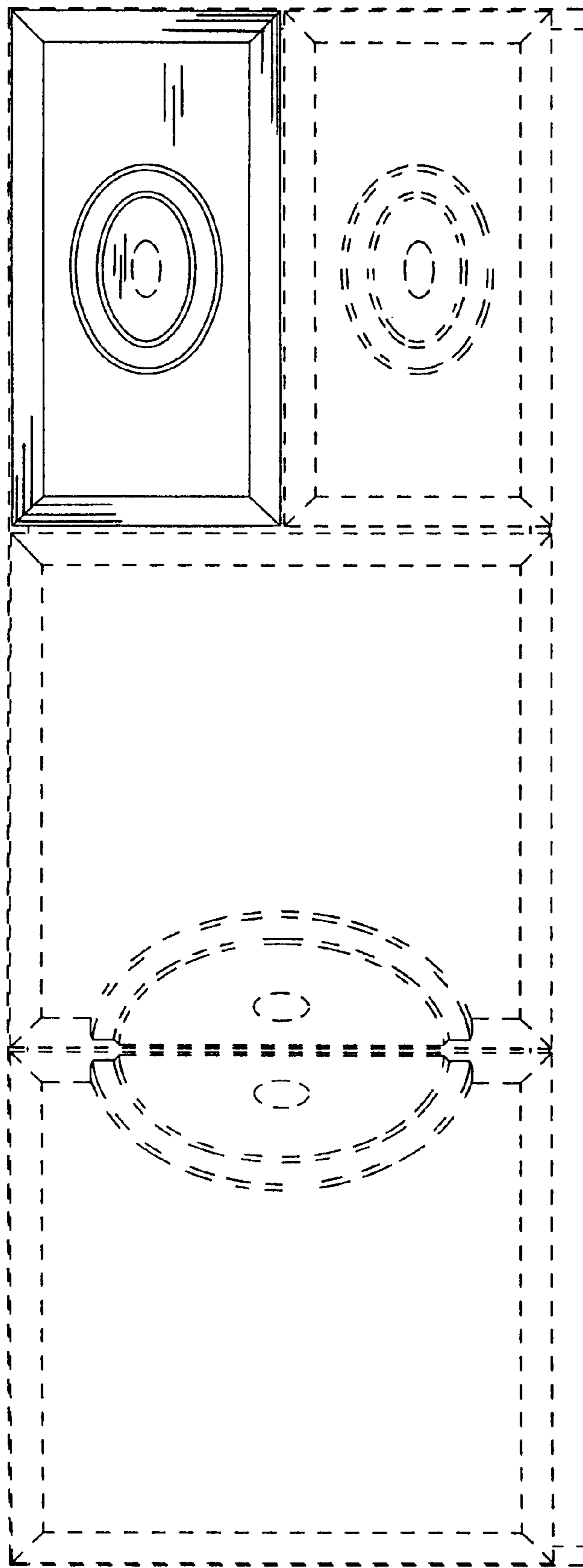


FIG. 2

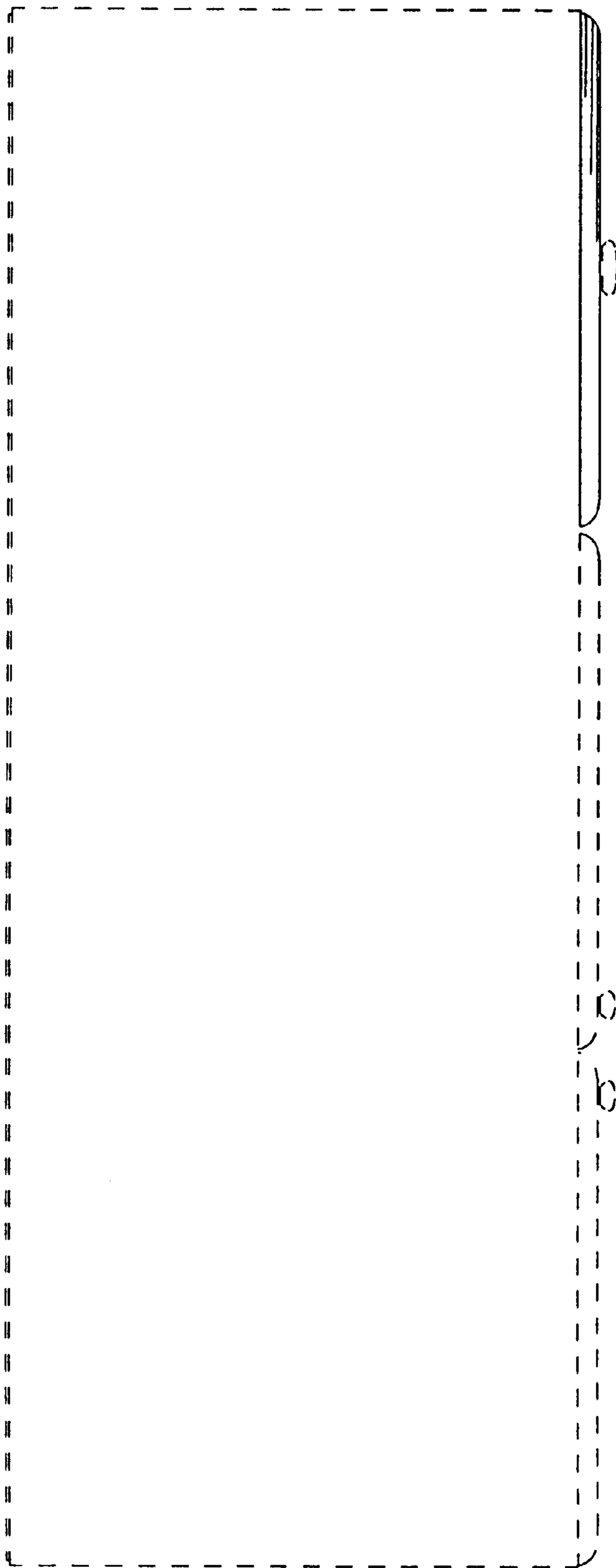


FIG. 3

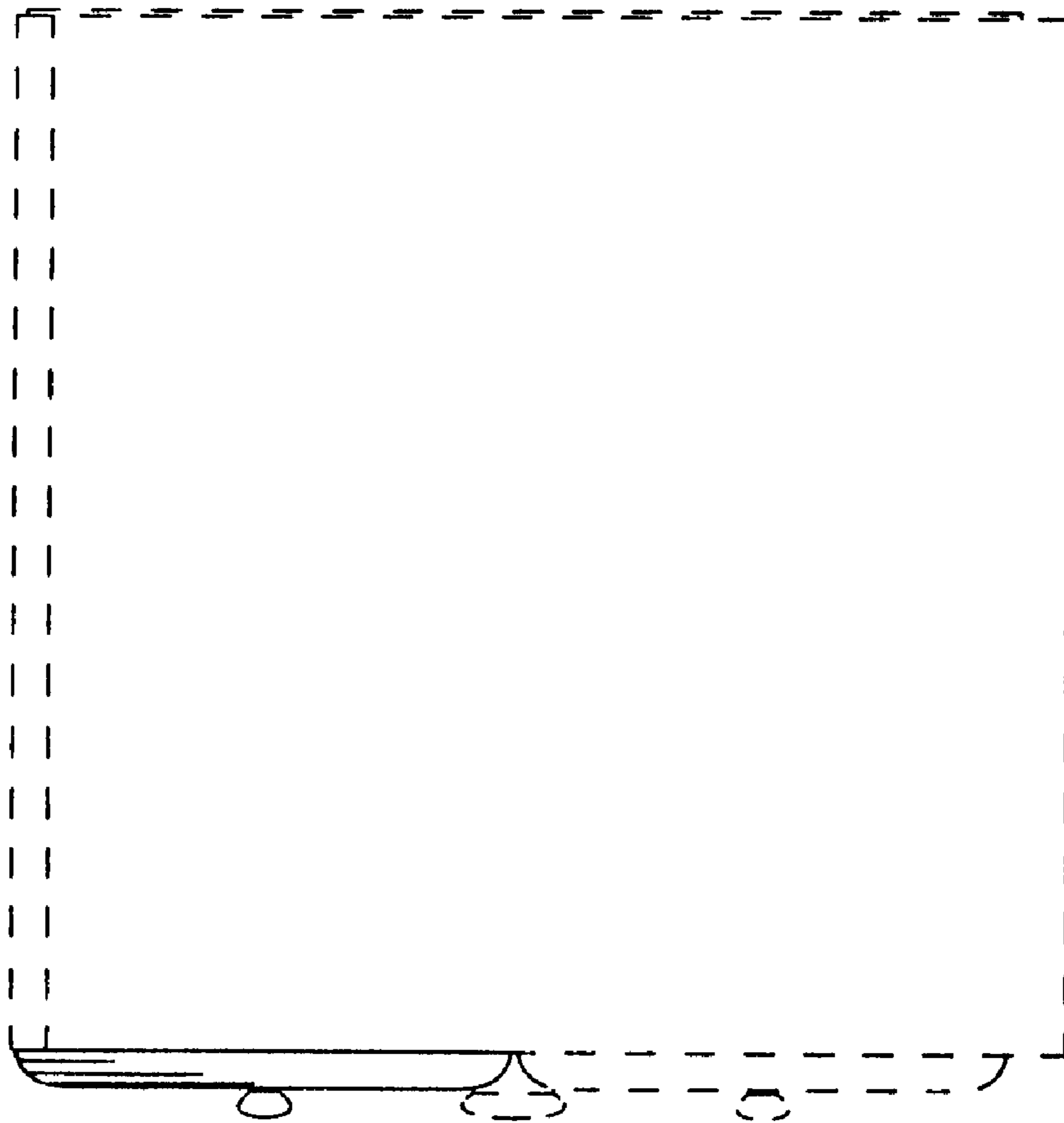


FIG. 4

FIG. 7



FIG. 6

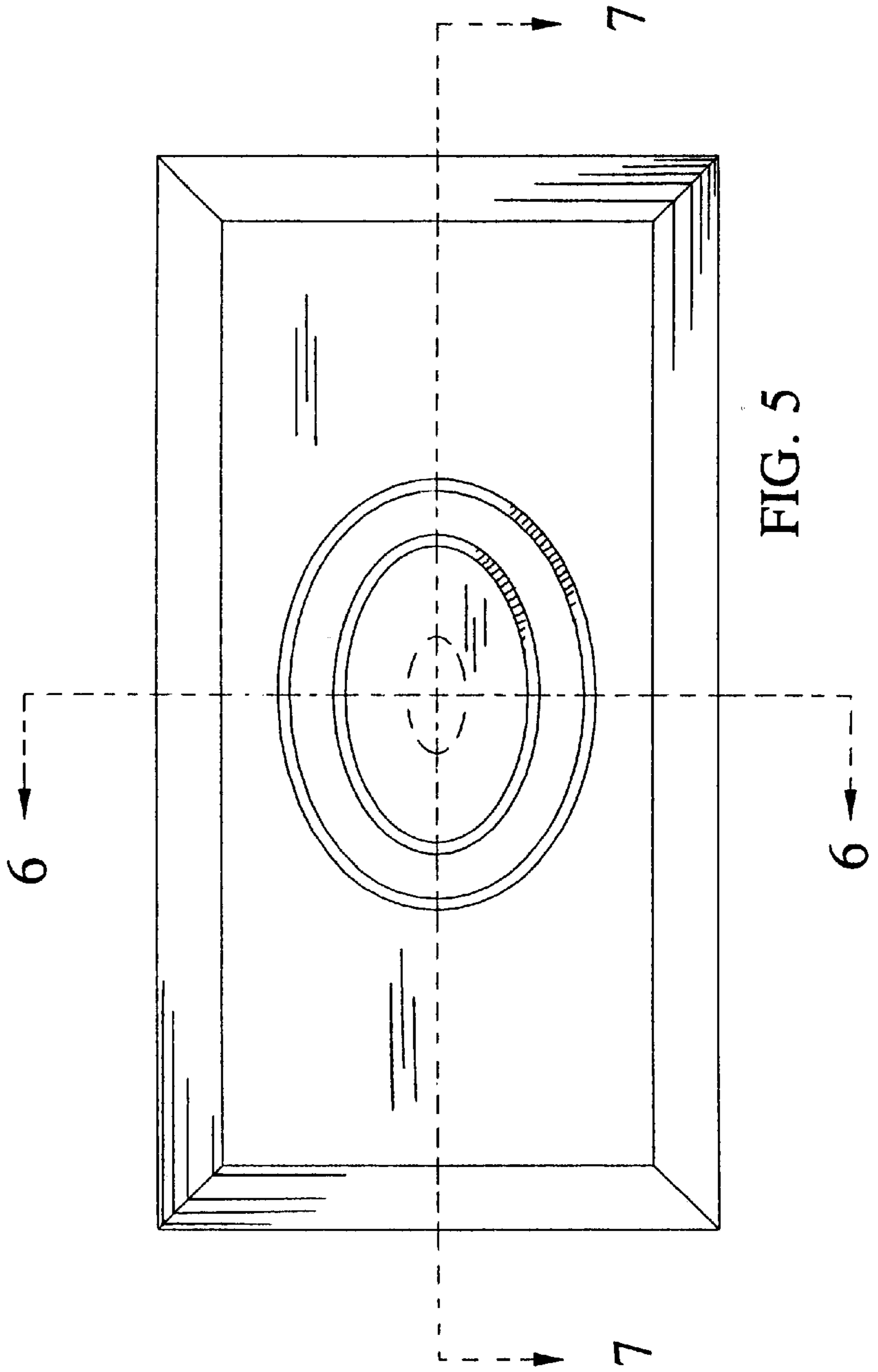
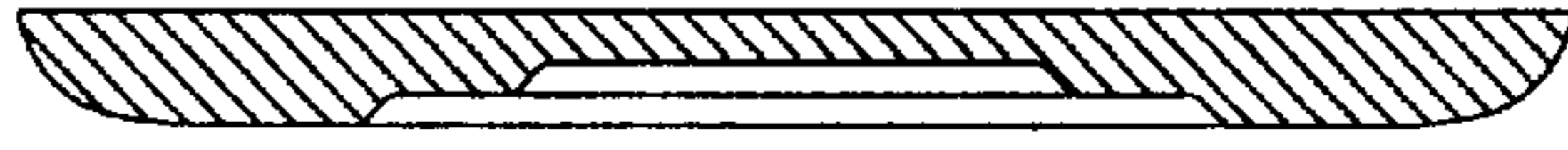


FIG. 5

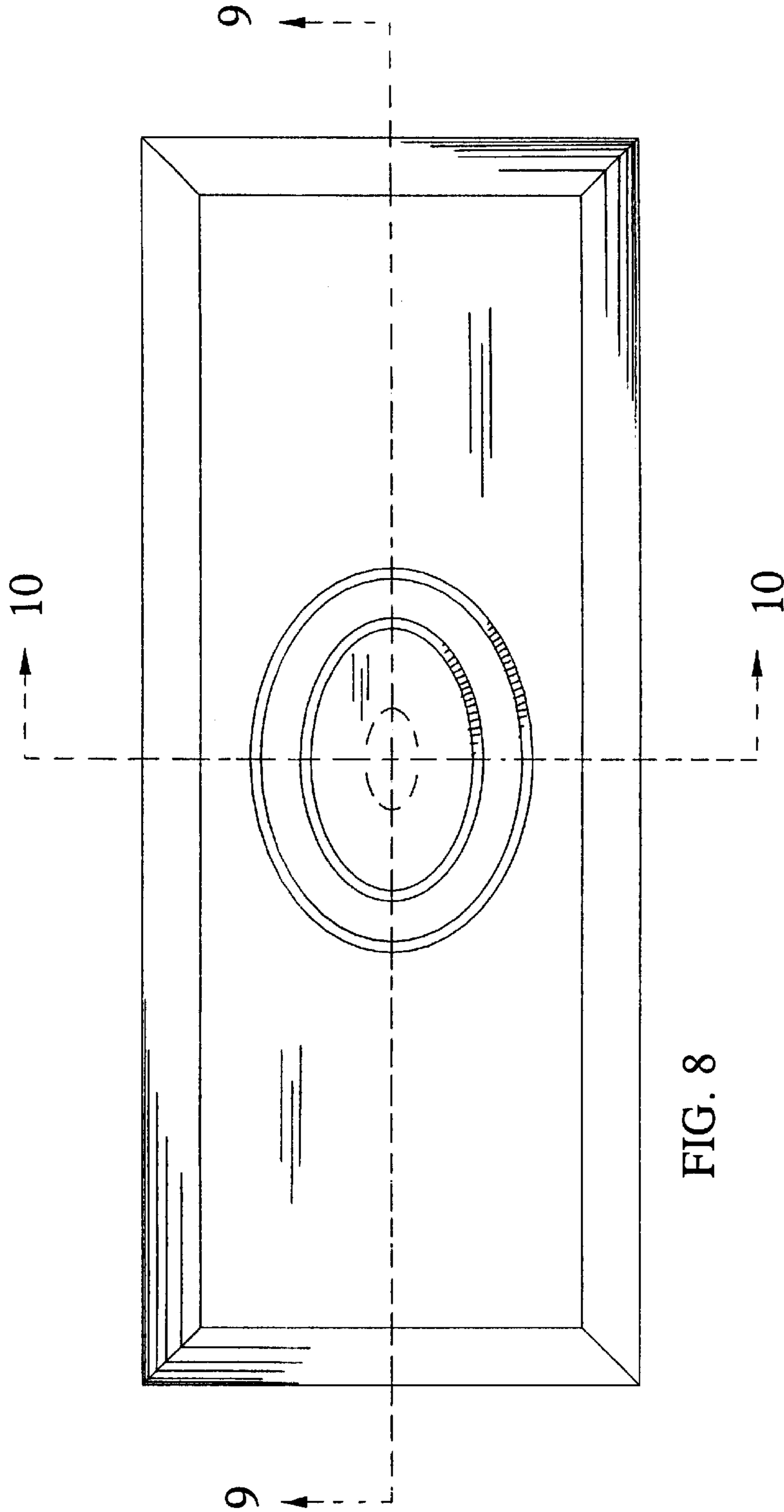


FIG. 8

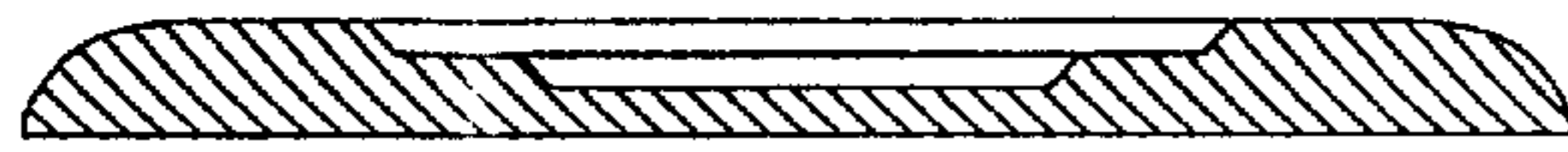


FIG. 10



FIG. 9