



US00D450497B1

(12) **United States Design Patent**
Saul

(10) **Patent No.:** **US D450,497 S**

(45) **Date of Patent:** **** Nov. 20, 2001**

(54) **FURNITURE LEG**

(75) **Inventor:** **Gregory Saul**, Charlotte, NC (US)

(73) **Assignee:** **Paoli, Inc.**, Orleans, IN (US)

(**) **Term:** **14 Years**

(21) **Appl. No.:** **29/130,621**

(22) **Filed:** **Oct. 5, 2000**

(51) **LOC (7) Cl.** **06-06**

(52) **U.S. Cl.** **D6/499**

(58) **Field of Search** D6/480-489, 495-499,
D6/477, 479, 426, 427, 422, 337; 108/153.1,
156, 157.1, 161, 50.01, 50.02; 248/188,
188.1, 188.7, 188.8

(56) **References Cited**

U.S. PATENT DOCUMENTS

- D. 347,133 * 5/1994 Karl D6/499
- D. 433,581 * 11/2000 Miller D6/419
- 3,285,550 * 11/1966 Smith 248/108.7

* cited by examiner

Primary Examiner—Janice E. Seeger

(74) *Attorney, Agent, or Firm*—SAIDMAN DesignLaw Group

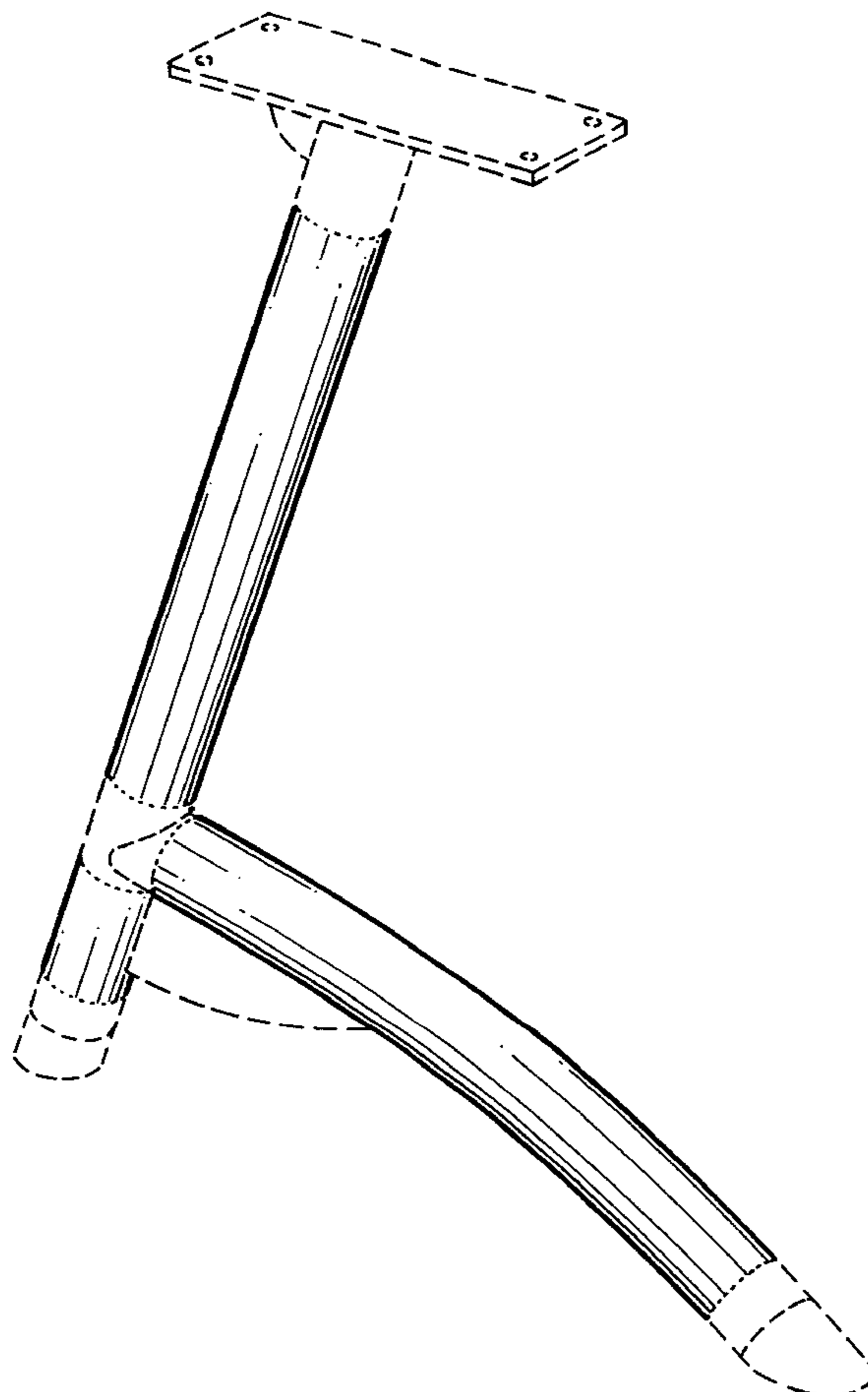
(57) **CLAIM**

The ornamental design for a furniture leg, as shown and described.

DESCRIPTION

FIG. 1 is a perspective view of a furniture leg showing my new design;
 FIG. 2 is a front view thereof;
 FIG. 3 is a rear view thereof;
 FIG. 4 is a top view thereof;
 FIG. 5 is left side view thereof, the right side view being a mirror image;
 FIG. 6 is a perspective view of a second embodiment of a furniture leg showing my new design; and,
 FIG. 7 is a perspective view of a third embodiment of a furniture leg showing my new design.
 The dashed lines shown in FIGS. 1-7 represent environmental subject matter and form no part of the claimed design. The dotted lines shown in FIGS. 1-7 represent borders between claimed and unclaimed subject matter and form no part of the claimed design. The bottom view forms no part of the claimed design.

1 Claim, 6 Drawing Sheets



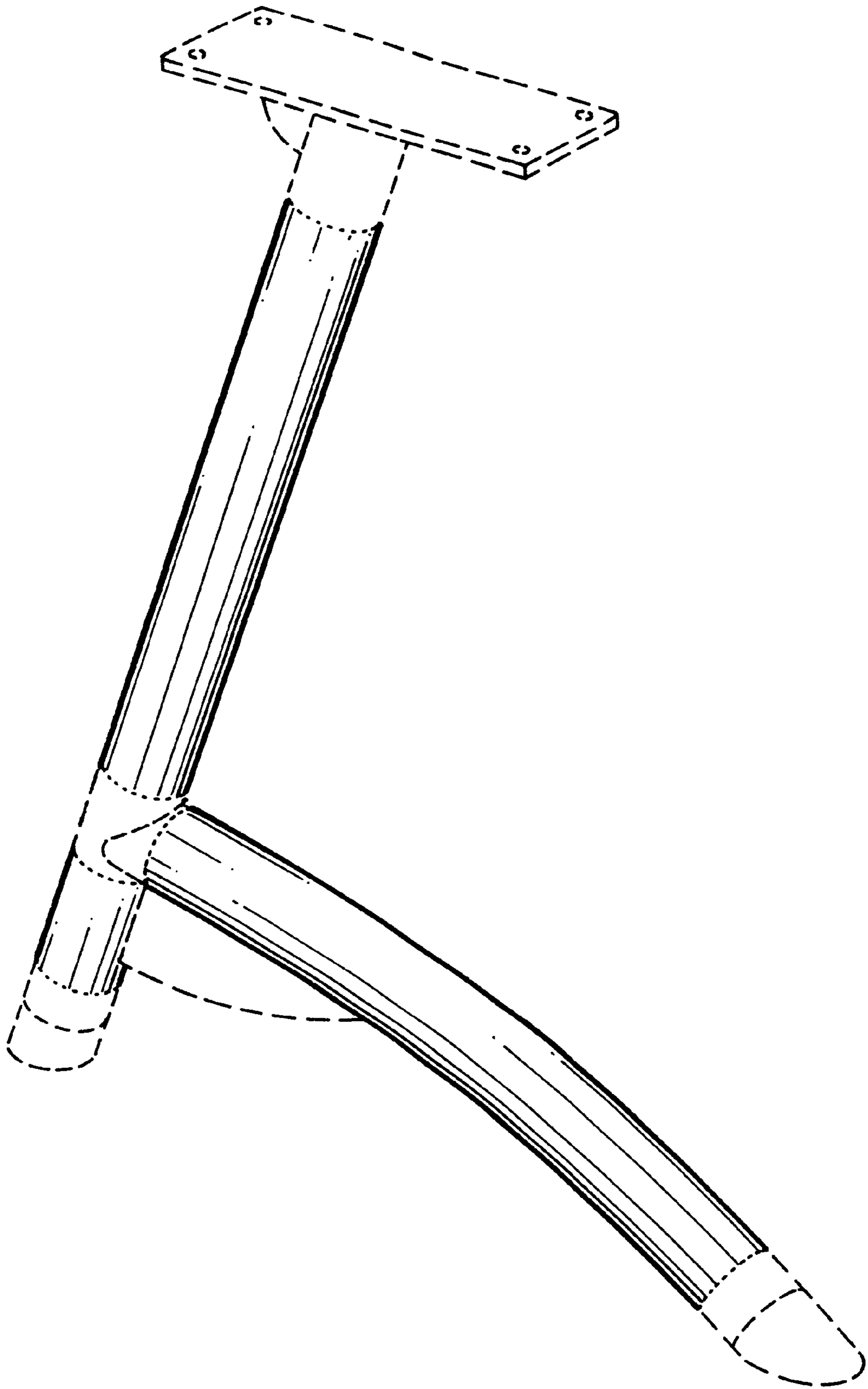


FIG. 1

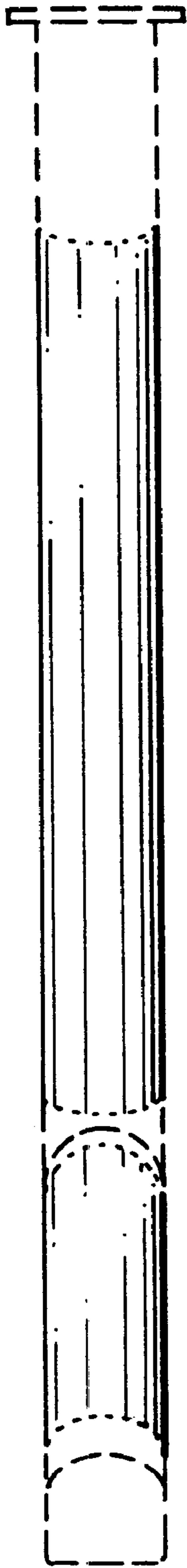


FIG. 2

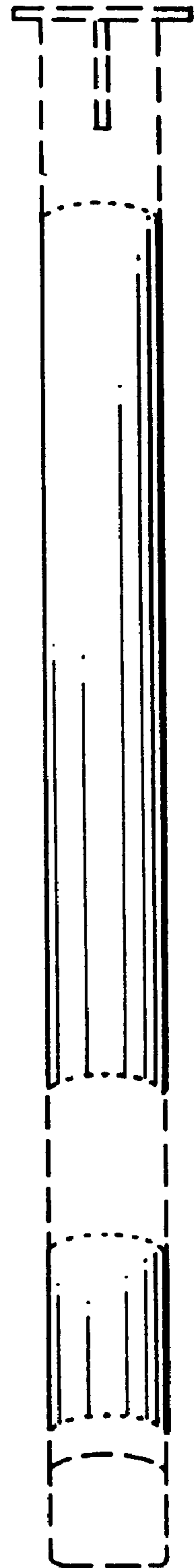


FIG. 3



FIG. 4

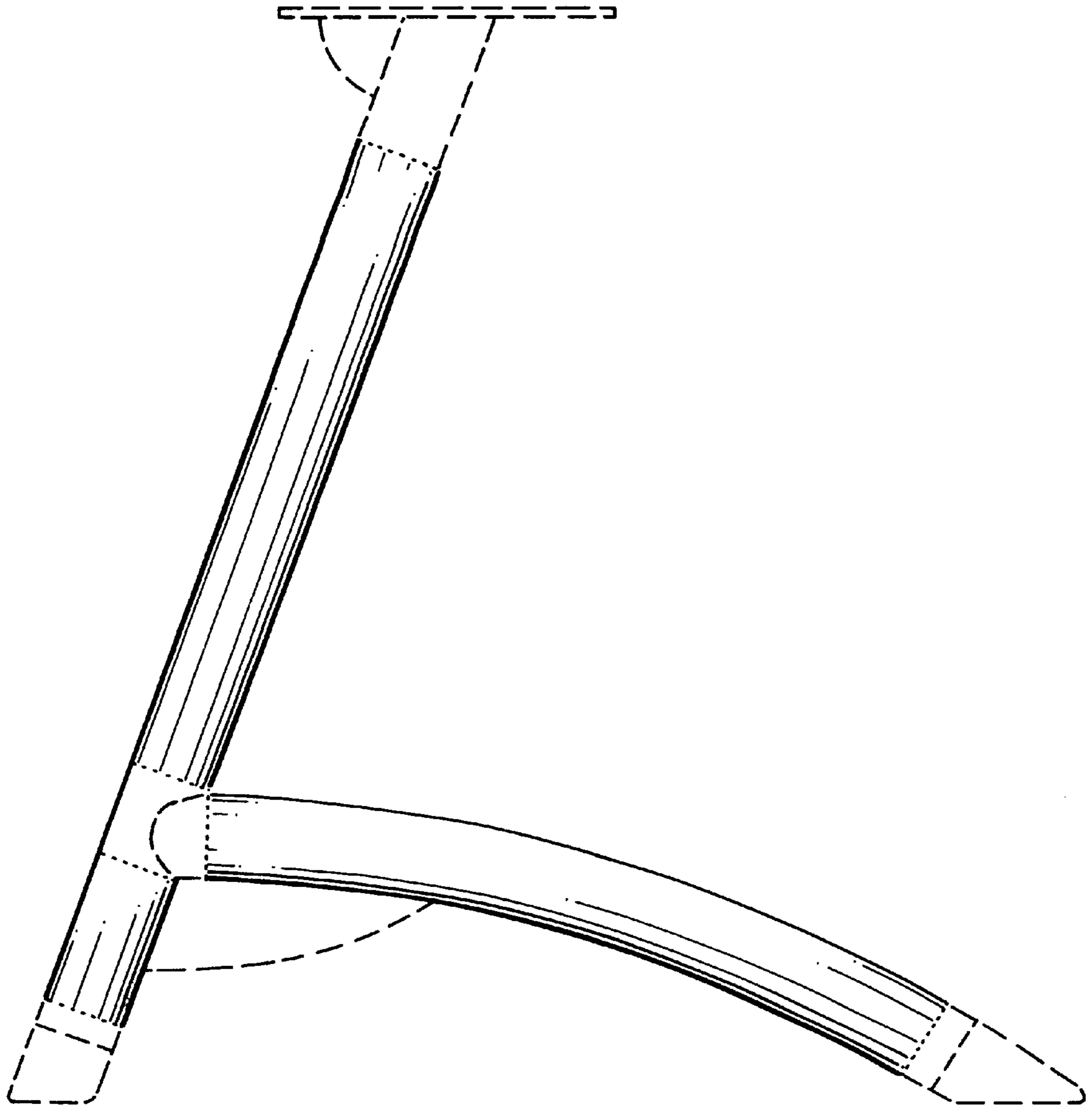


FIG. 5

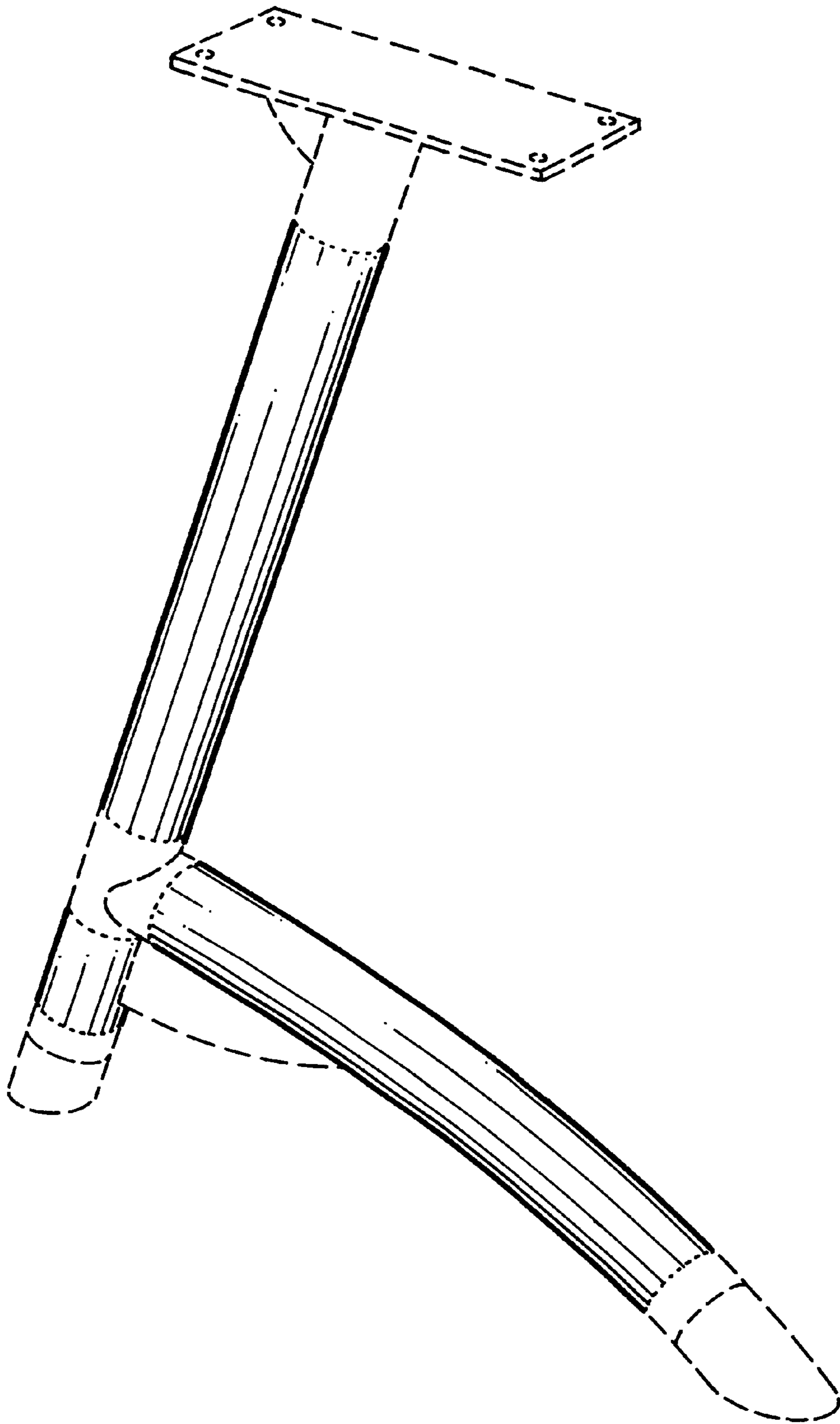


FIG. 6

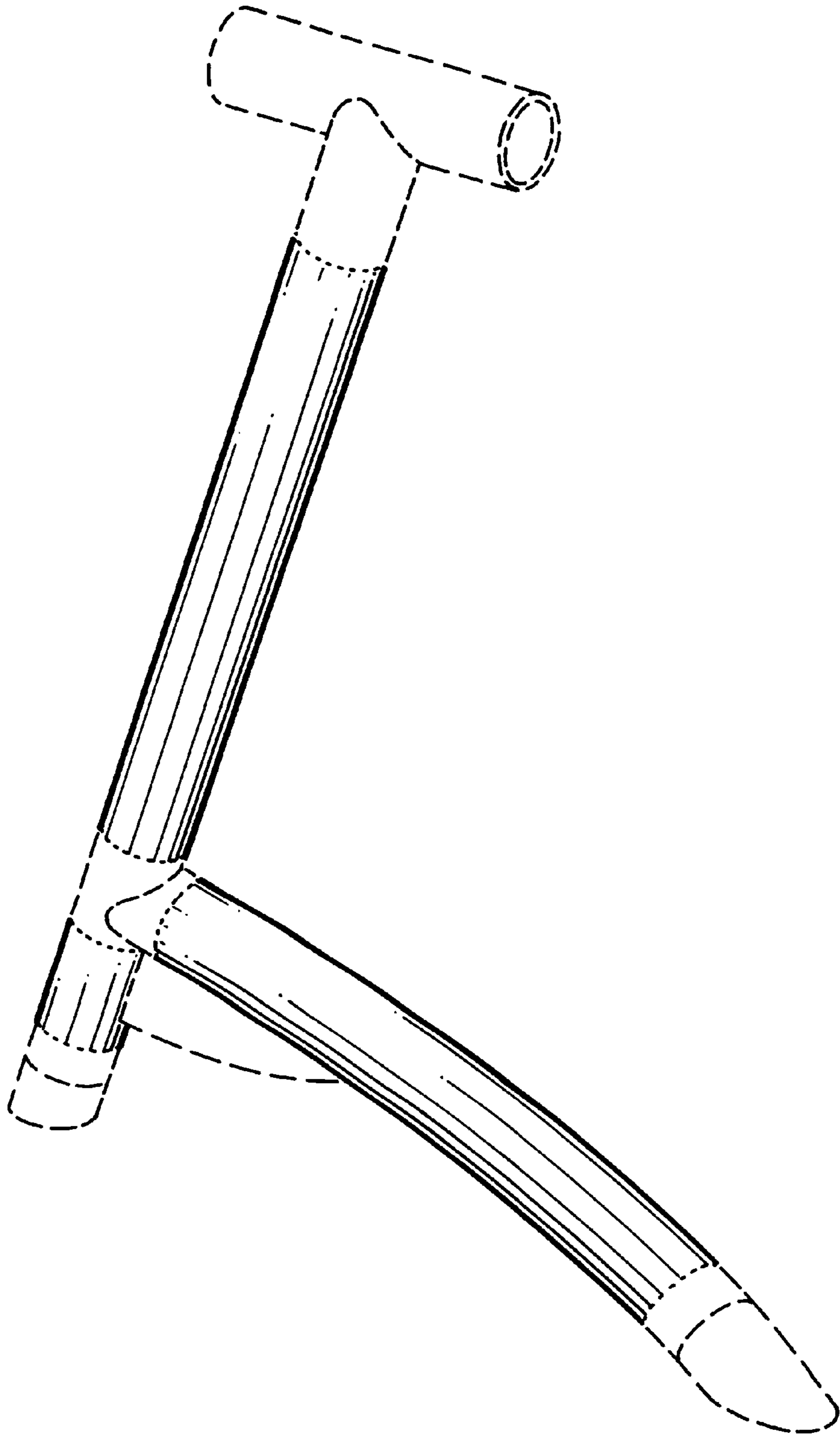


FIG. 7