



US00D450495B1

(12) **United States Design Patent**  
**Plavsic**

(10) **Patent No.:** **US D450,495 S**

(45) **Date of Patent:** **\*\* Nov. 20, 2001**

(54) **FURNITURE LEG**

(76) **Inventor:** **Miroslav Plavsic**, 31 Fairview Blvd.,  
Toronto, Ontario (CA), M4K 1L8

(\*\*) **Term:** **14 Years**

(21) **Appl. No.:** **29/124,643**

(22) **Filed:** **Jun. 8, 2000**

(51) **LOC (7) Cl.** ..... **06-06**

(52) **U.S. Cl.** ..... **D6/495**

(58) **Field of Search** ..... D6/480-489, 495-499;  
108/153.1, 156, 157.1, 161; 248/188, 188.1,  
188.8

(56) **References Cited**

**U.S. PATENT DOCUMENTS**

- D. 44,441 \* 8/1913 Frazer .
- D. 334,312 \* 3/1993 Glass ..... D6/484
- D. 347,953 \* 6/1994 Mari ..... D6/485

\* cited by examiner

*Primary Examiner*—Janice E. Seeger

(74) *Attorney, Agent, or Firm*—Coudert Brothers

(57) **CLAIM**

The ornamental design for a furniture leg, as shown and described.

**DESCRIPTION**

FIG. 1 is a perspective view of a furniture leg, showing my new design;

FIG. 2 is a front view of my new furniture leg design;

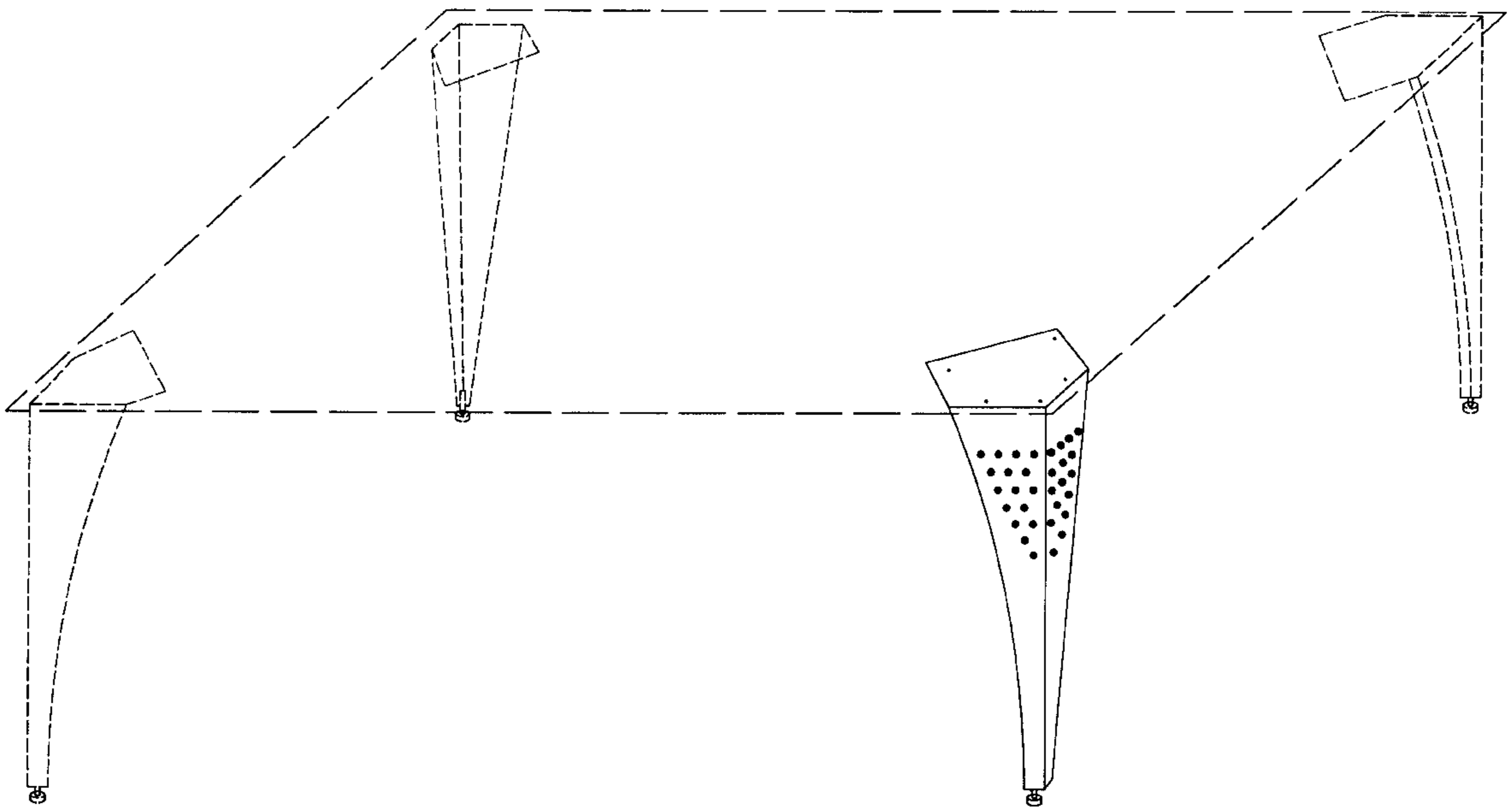
FIG. 3 is a rear view of my new furniture leg design;

FIG. 4 is a side view of my new furniture leg design; and,

FIG. 5 is a bottom view of my new furniture leg design.

The broken lines are for environmental purposes only and form no part of the claimed design.

**1 Claim, 2 Drawing Sheets**



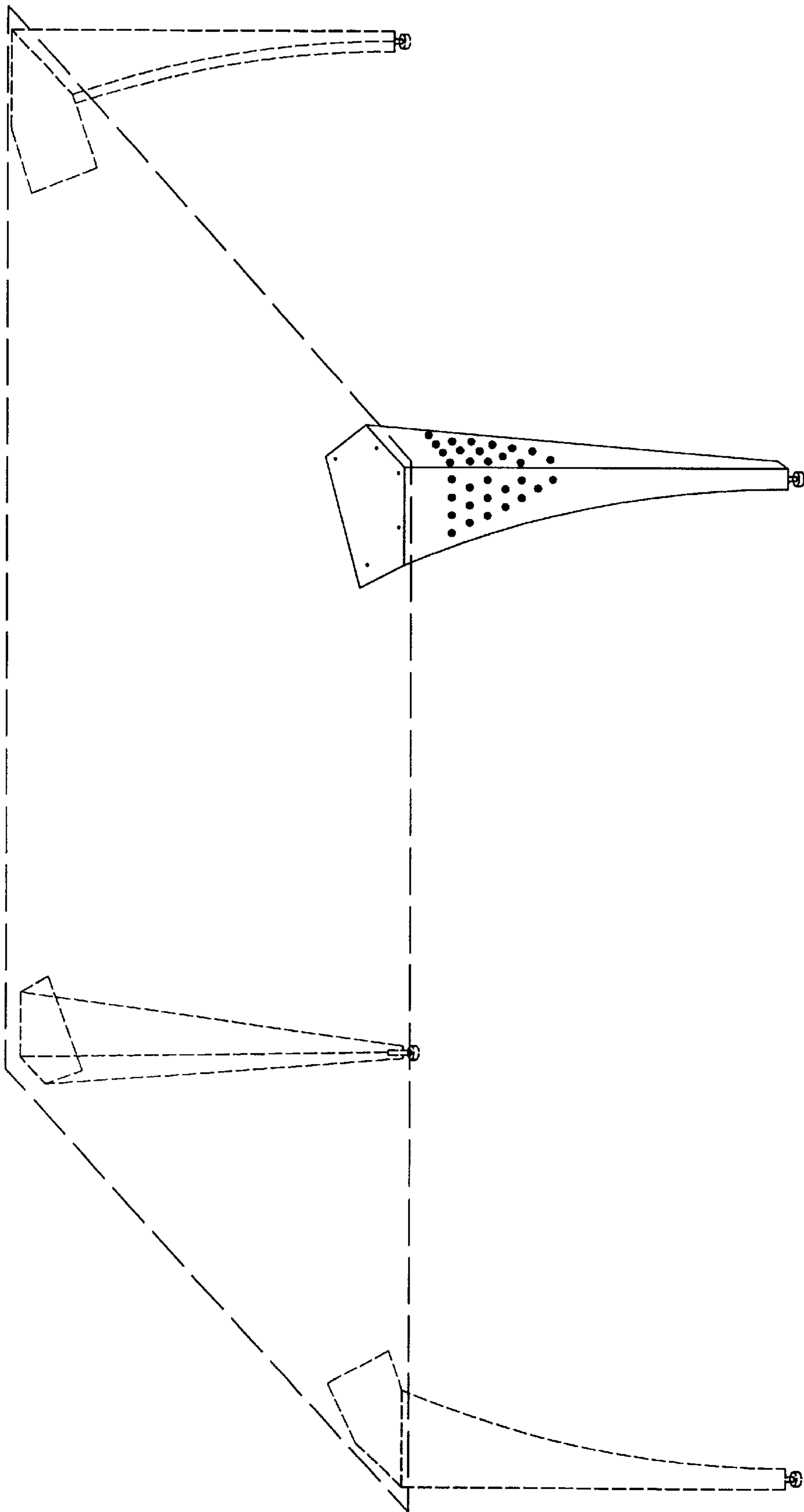


FIG. 1

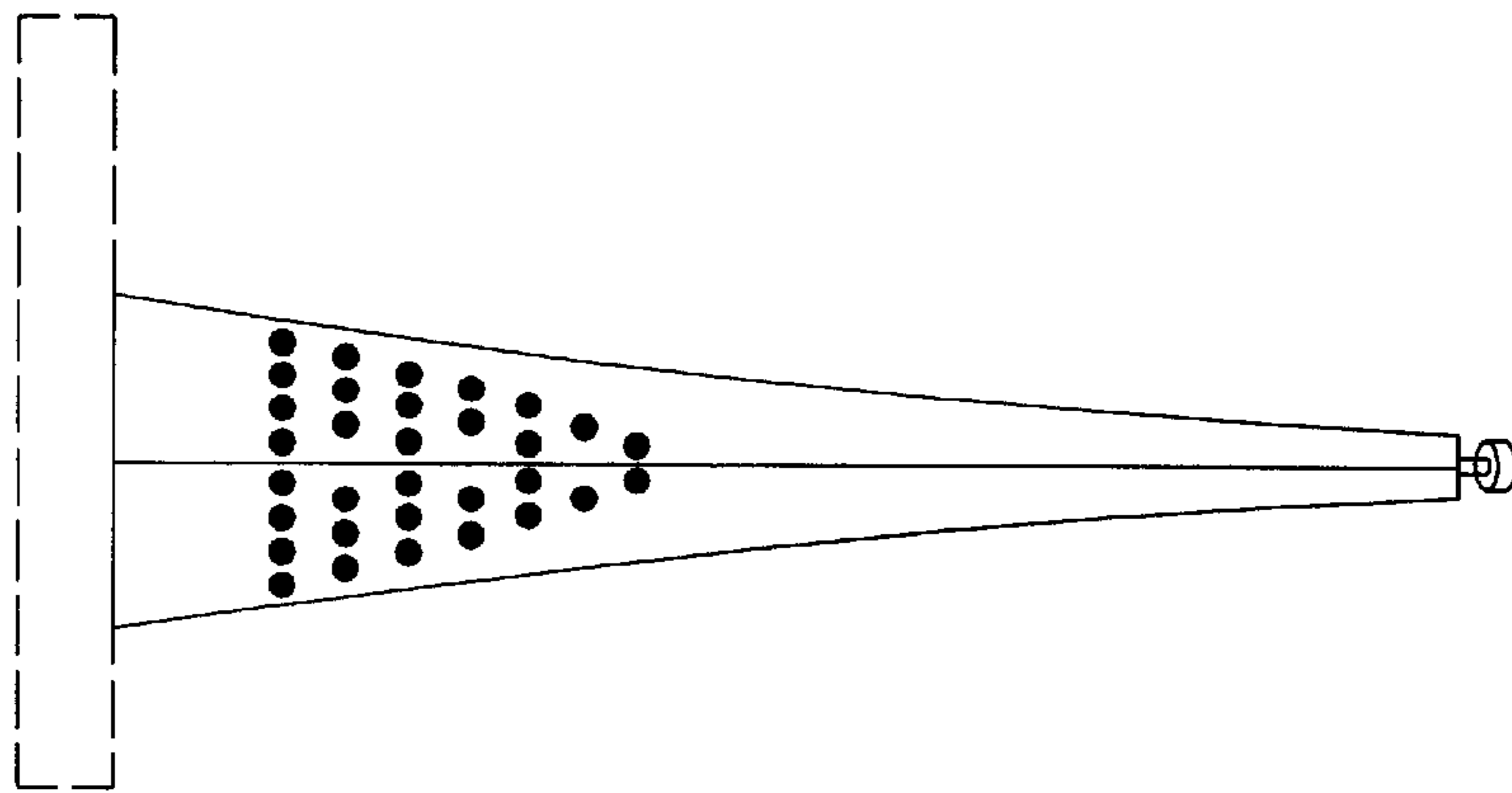


FIG. 2

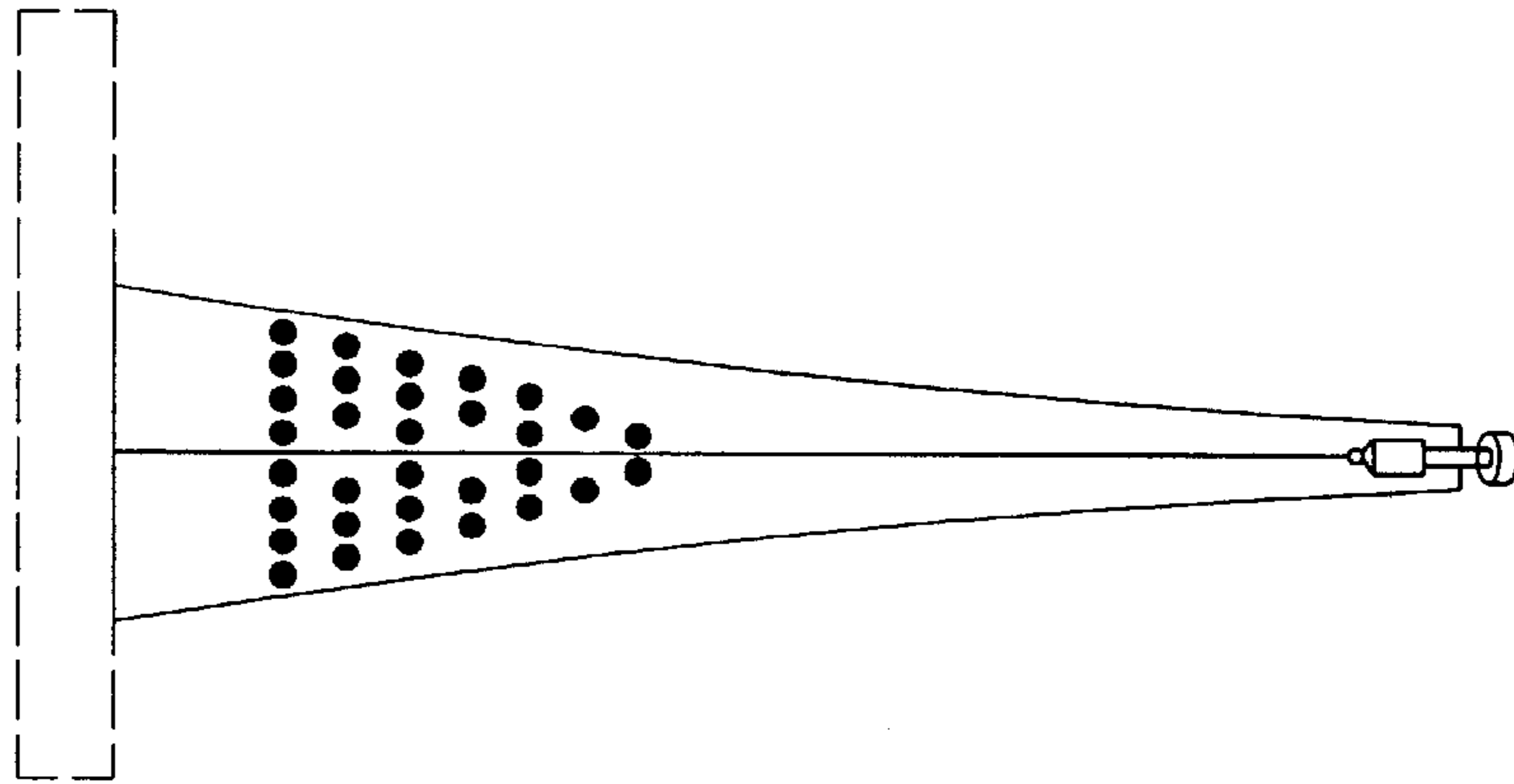


FIG. 3

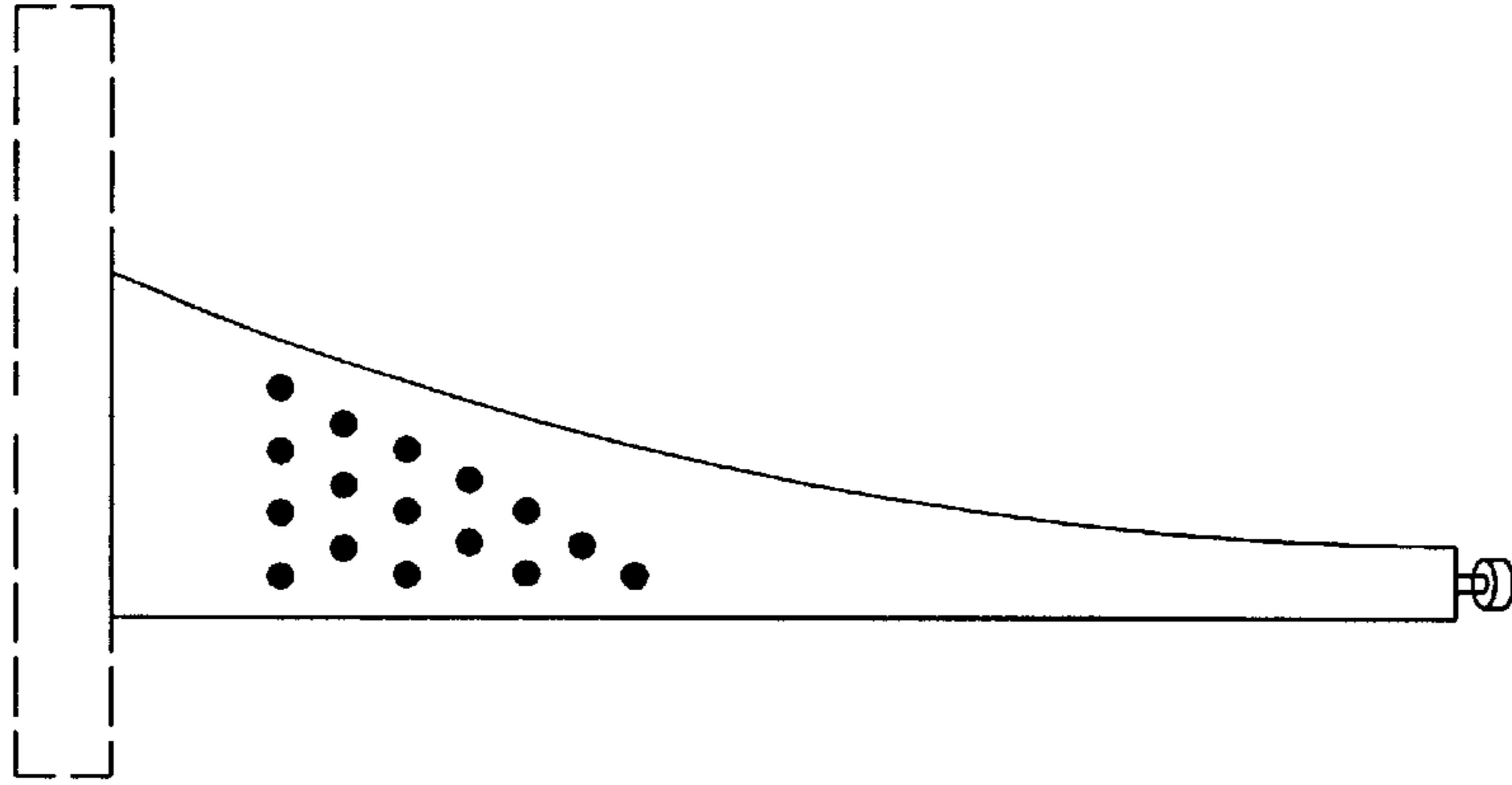


FIG. 4

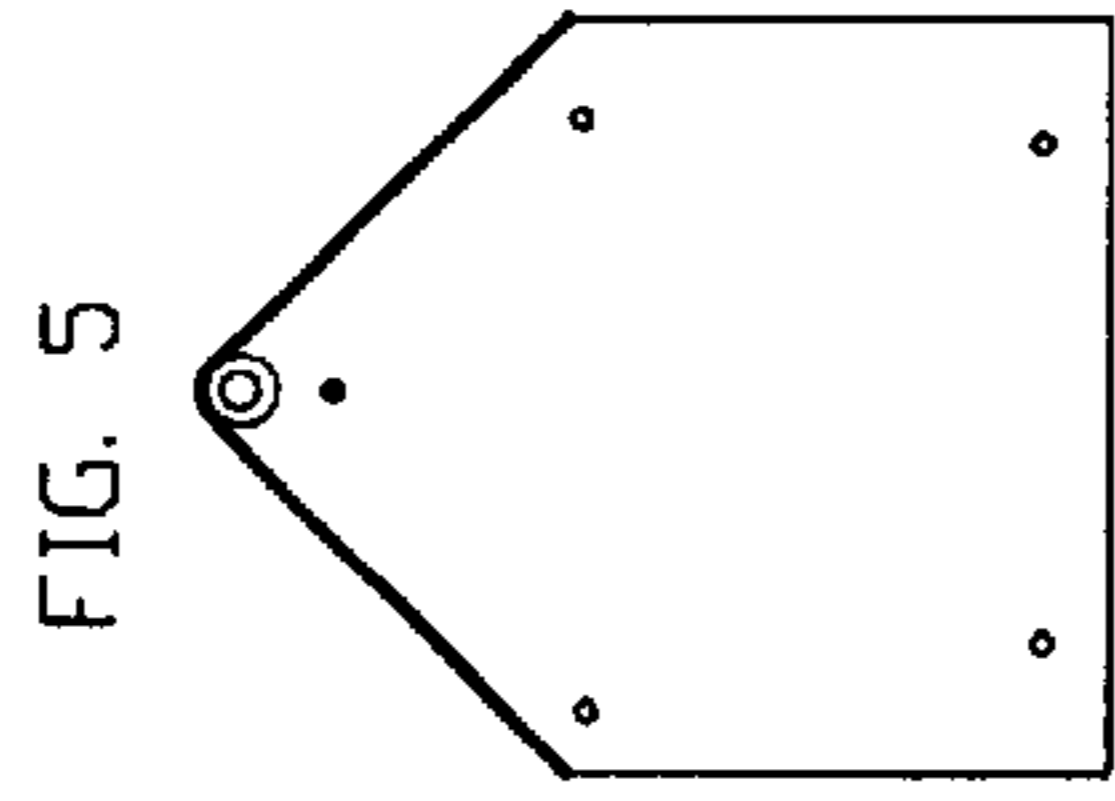


FIG. 5