



US00D450494B1

(12) **United States Design Patent**
Morrow

(10) **Patent No.:** **US D450,494 S**

(45) **Date of Patent:** **** Nov. 20, 2001**

(54) **MOULDING FOR FURNITURE**

(75) Inventor: **David P. Morrow**, Winnipeg (CA)

(73) Assignee: **Palliser Furniture Ltd.**, Winnipeg (CA)

(**) Term: **14 Years**

(21) Appl. No.: **29/128,848**

(22) Filed: **Aug. 31, 2000**

(51) **LOC (7) Cl.** **06-06**

(52) **U.S. Cl.** **D6/491; D6/300; D6/503; D6/505**

(58) **Field of Search** D6/491, 503, 505-508, D6/300-314, 393-395; 5/53.1, 279.1, 280, 281, 907; 359/838, 871; 40/700, 711, 722, 734, 735, 738, 745, 774, 790, 798, 776

(56) **References Cited**

U.S. PATENT DOCUMENTS

- D. 286,717 * 11/1986 Yosimoto D6/505
- D. 336,797 * 6/1993 Stone et al. D6/393
- D. 429,100 * 8/2000 Cain D6/505

OTHER PUBLICATIONS

Exposures, Summer 1991, p. 10, #A frame at top left.*
Exposures, p. 11, #J frame at right.*

* cited by examiner

Primary Examiner—Janice E. Seeger
(74) *Attorney, Agent, or Firm*—Clifford W. Browning; Woodard, Emhardt, Naughton, Moriarty & McNett

(57) **CLAIM**

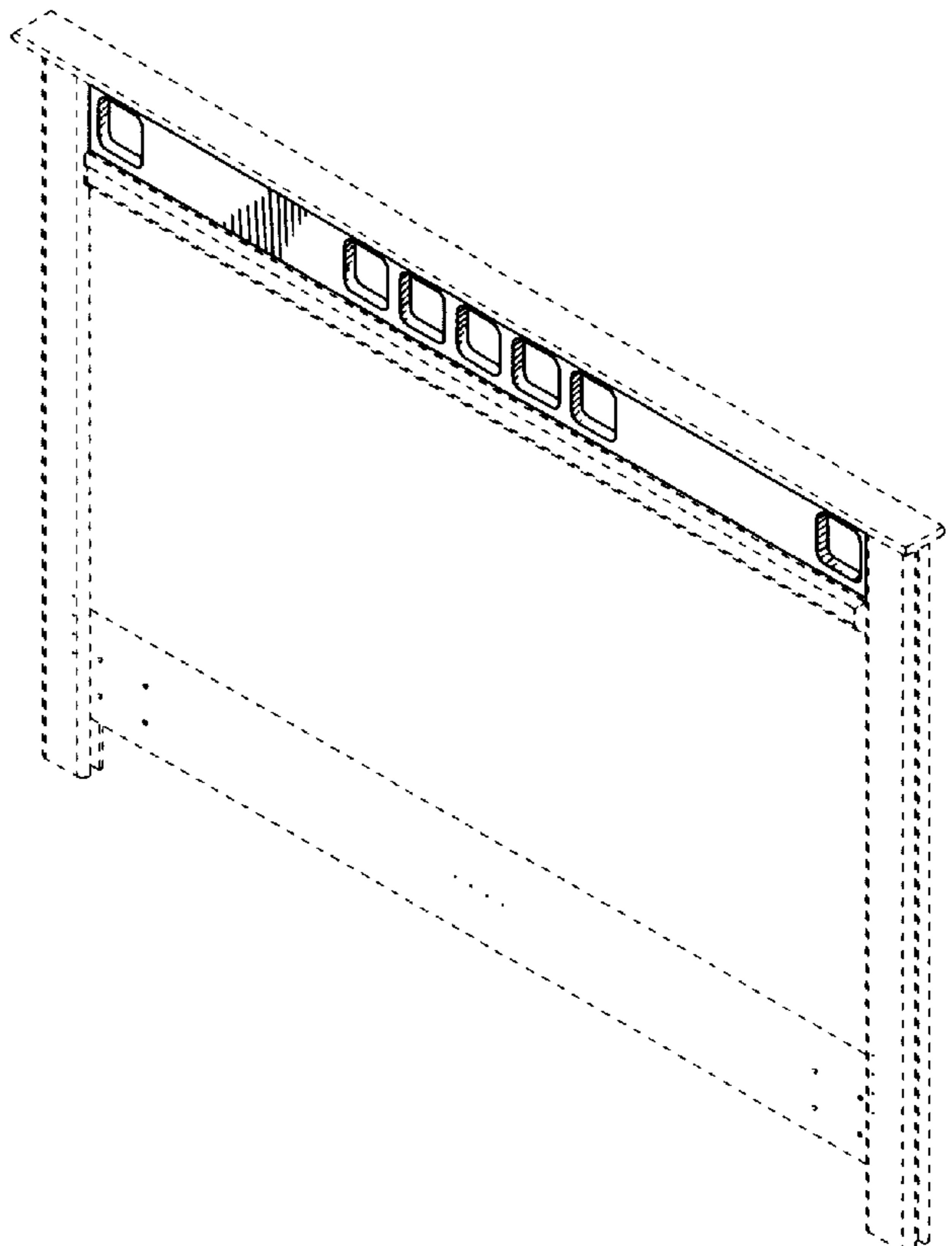
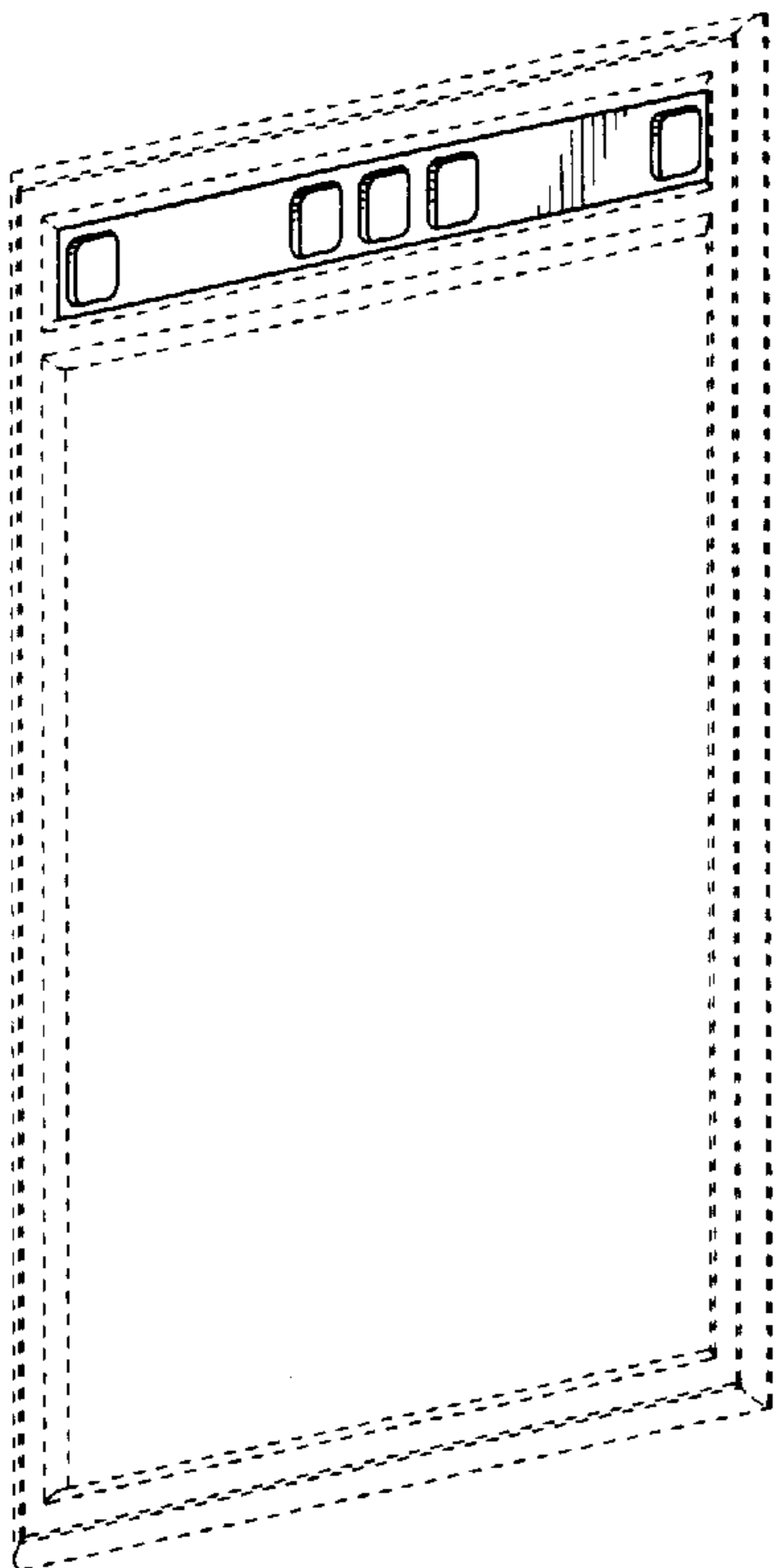
The ornamental design for a moulding for furniture, as shown and described.

DESCRIPTION

FIG. 1 is a front view of a moulding for furniture showing my new design;
 FIG. 2 is a cross-sectional view at line 2—2 of FIG. 1;
 FIG. 3 is a right hand side perspective view of FIG. 1, the left hand side perspective view being a mirror image thereof;
 FIG. 4 is another right hand side perspective view of FIG. 1 at a different angle, the left hand side perspective view being a mirror image thereof;
 FIG. 5 is a front view of a moulding for furniture on a different casegood;
 FIG. 6 is a cross-sectional view at line 6—6 of FIG. 5;
 FIG. 7 is a right hand side perspective view of FIG. 5, the left hand side perspective view being a mirror image thereof; and,
 FIG. 8 is another right hand side perspective view of FIG. 5 at a different angle, the left hand side perspective view being a mirror image thereof.

The broken lines shown throughout the drawings are illustrative and form no part of the claimed design.

1 Claim, 6 Drawing Sheets



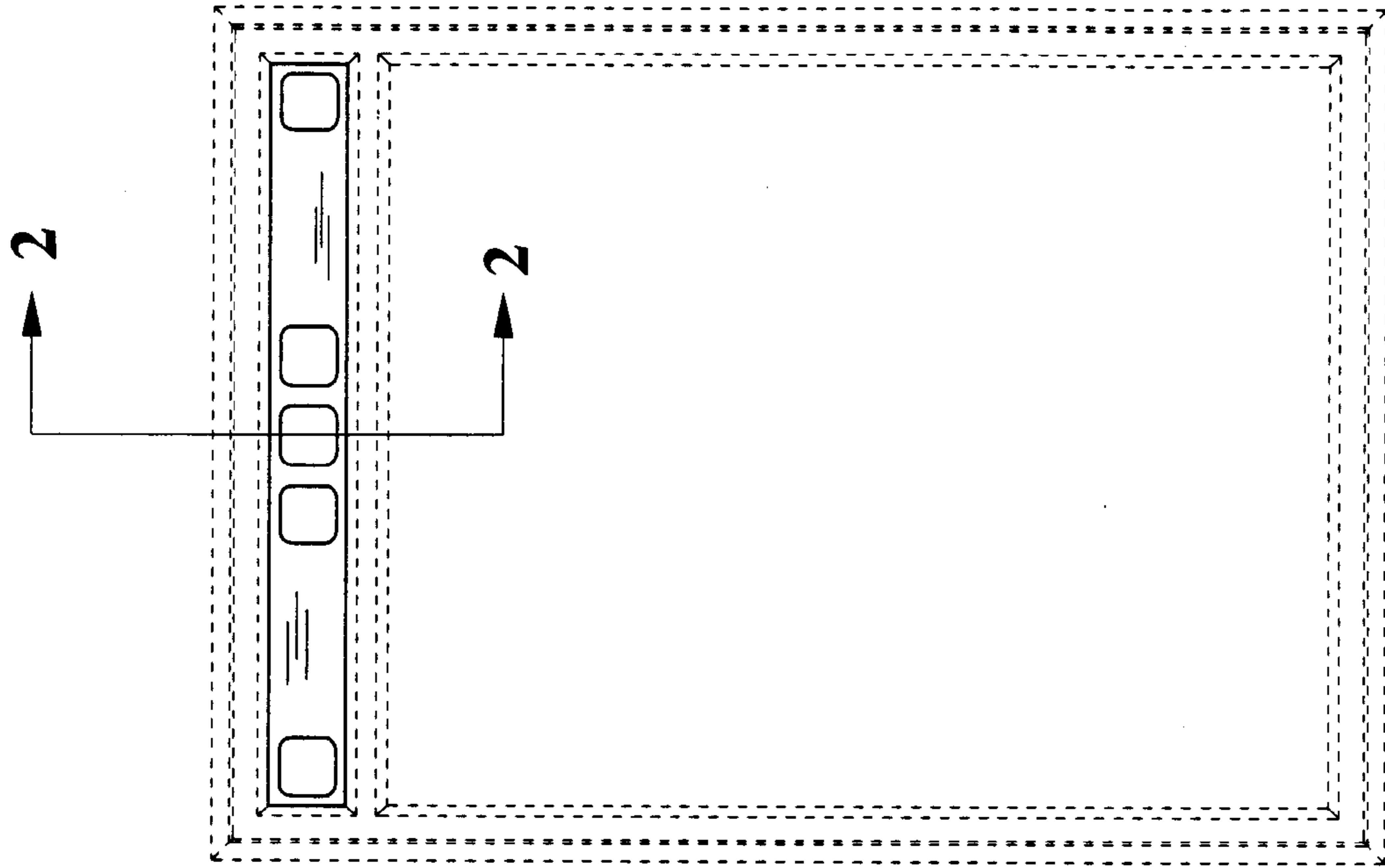


FIG. 1

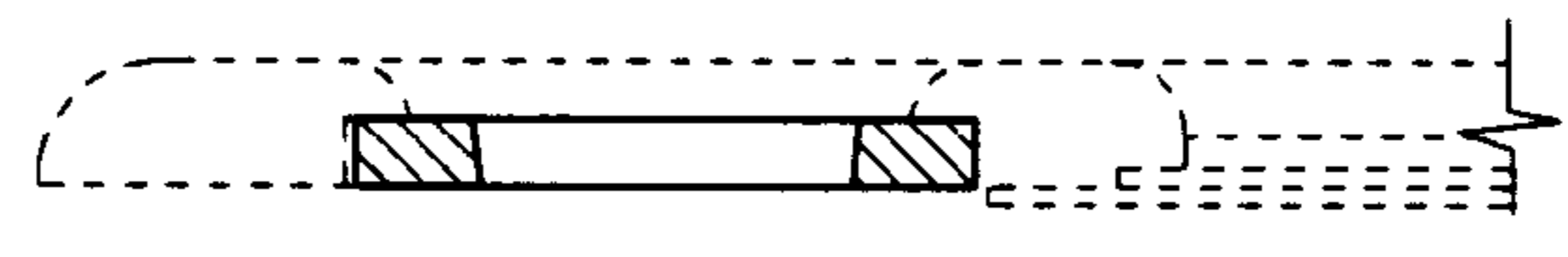


FIG. 2

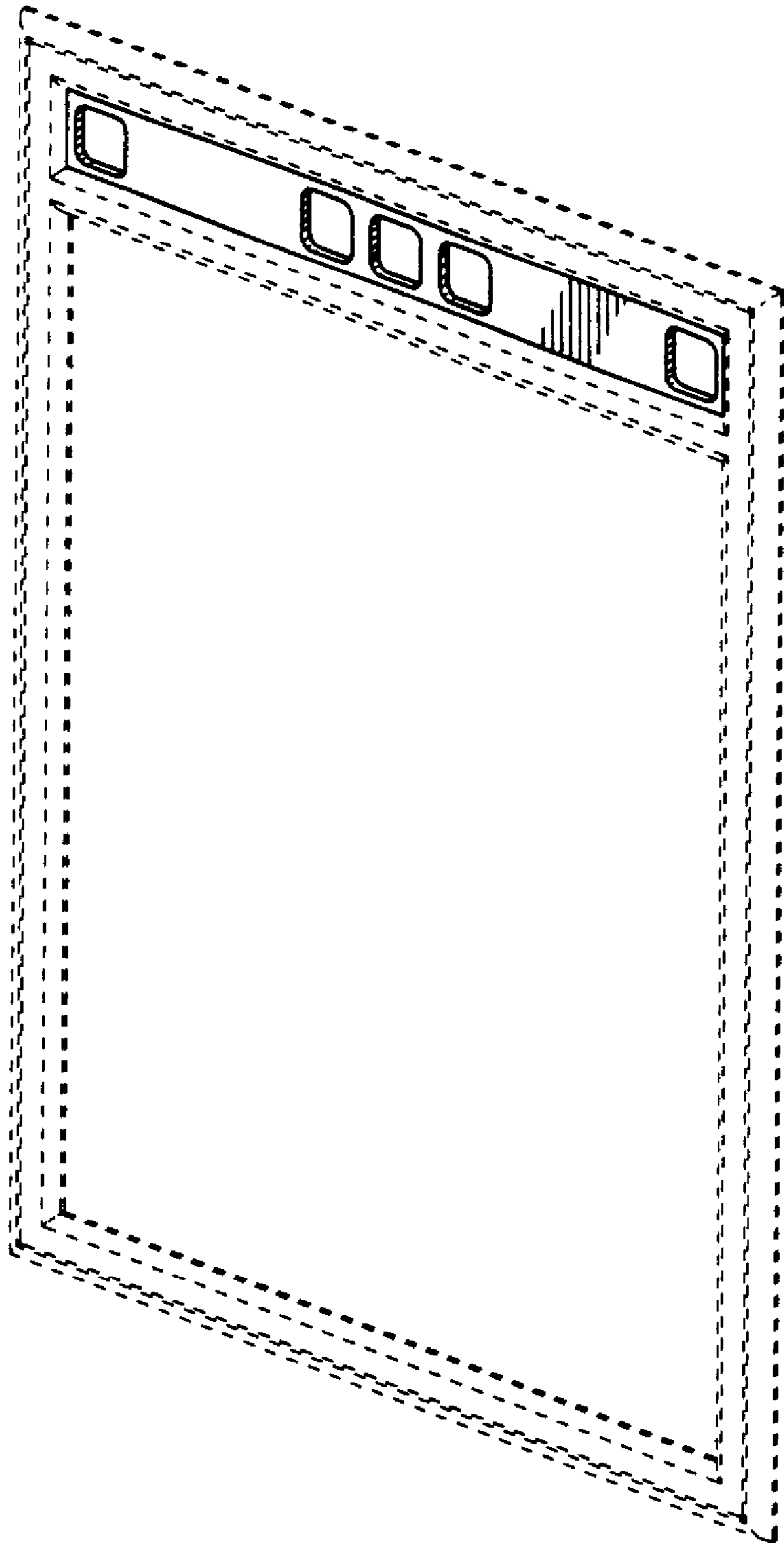


FIG. 3

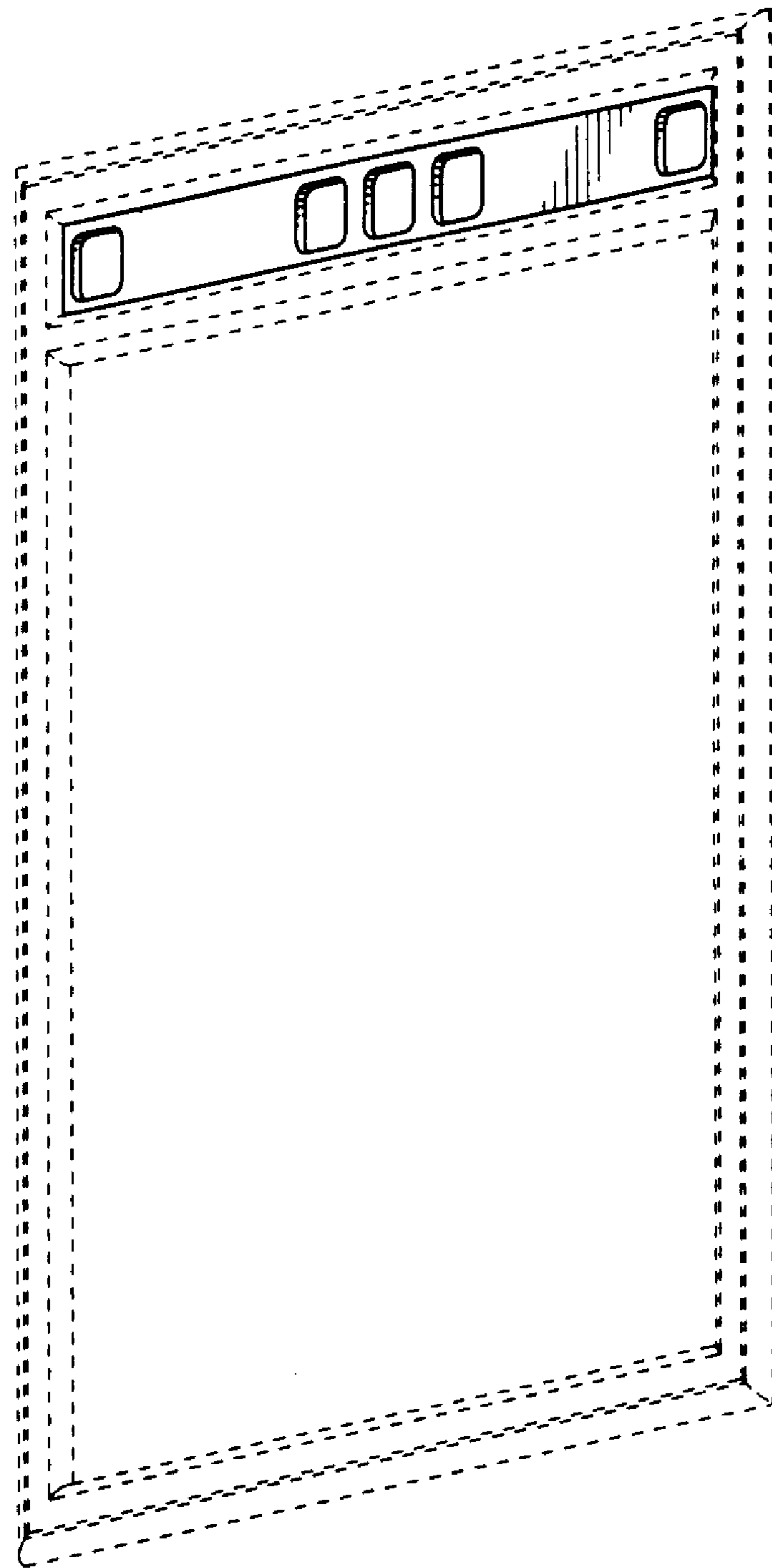


FIG. 4

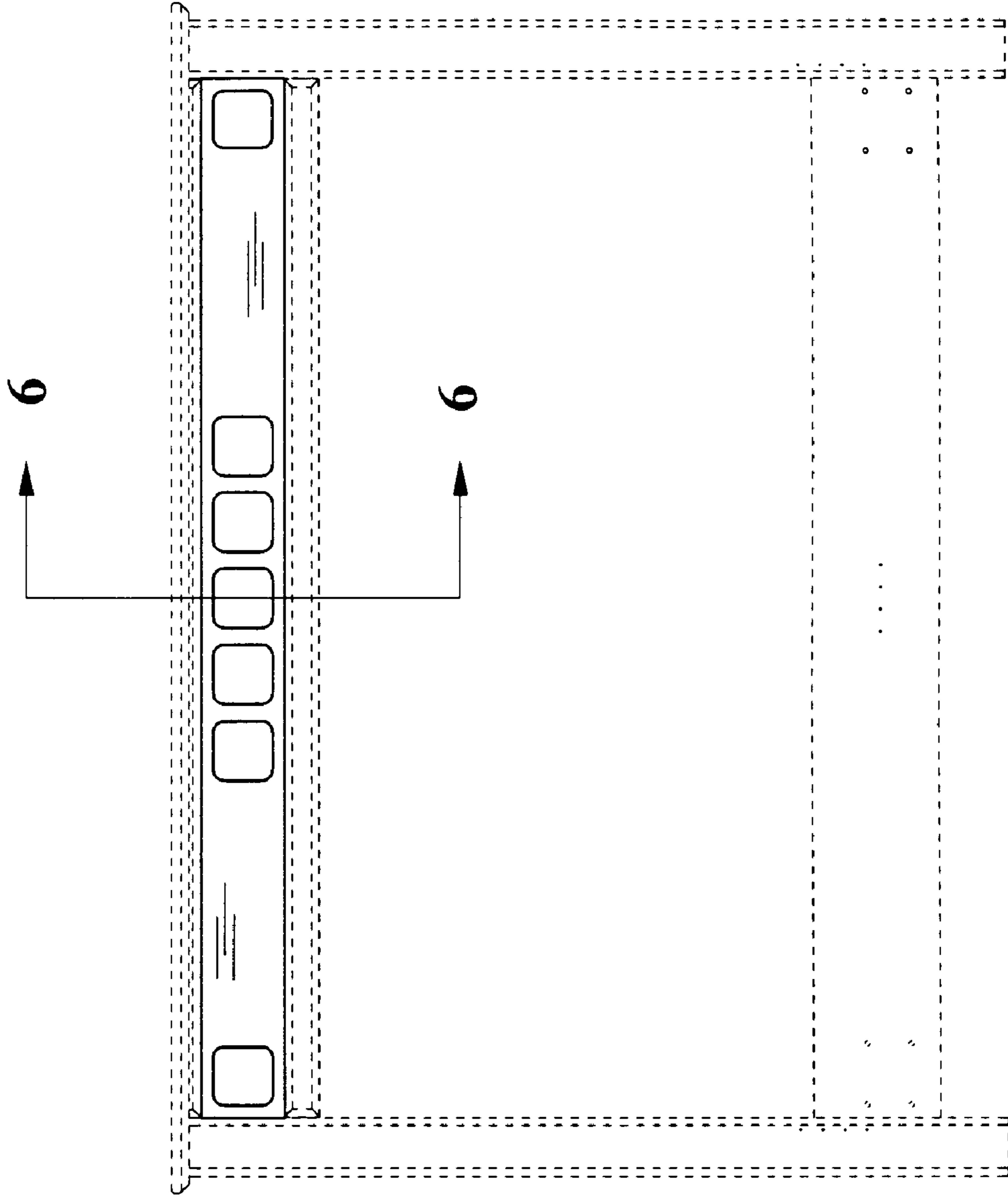


FIG. 5

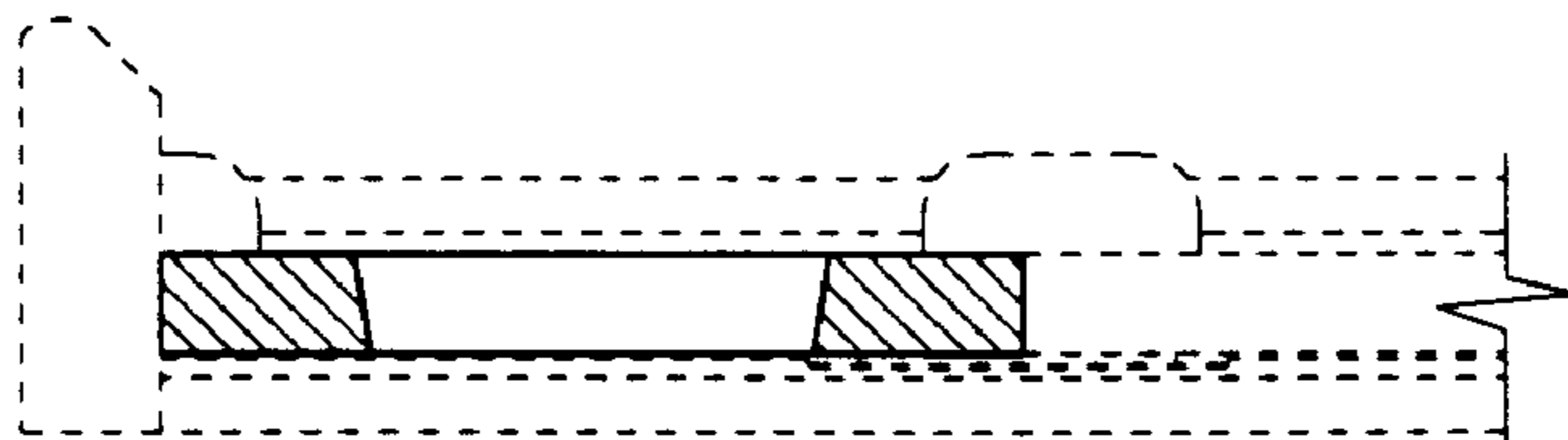


FIG. 6

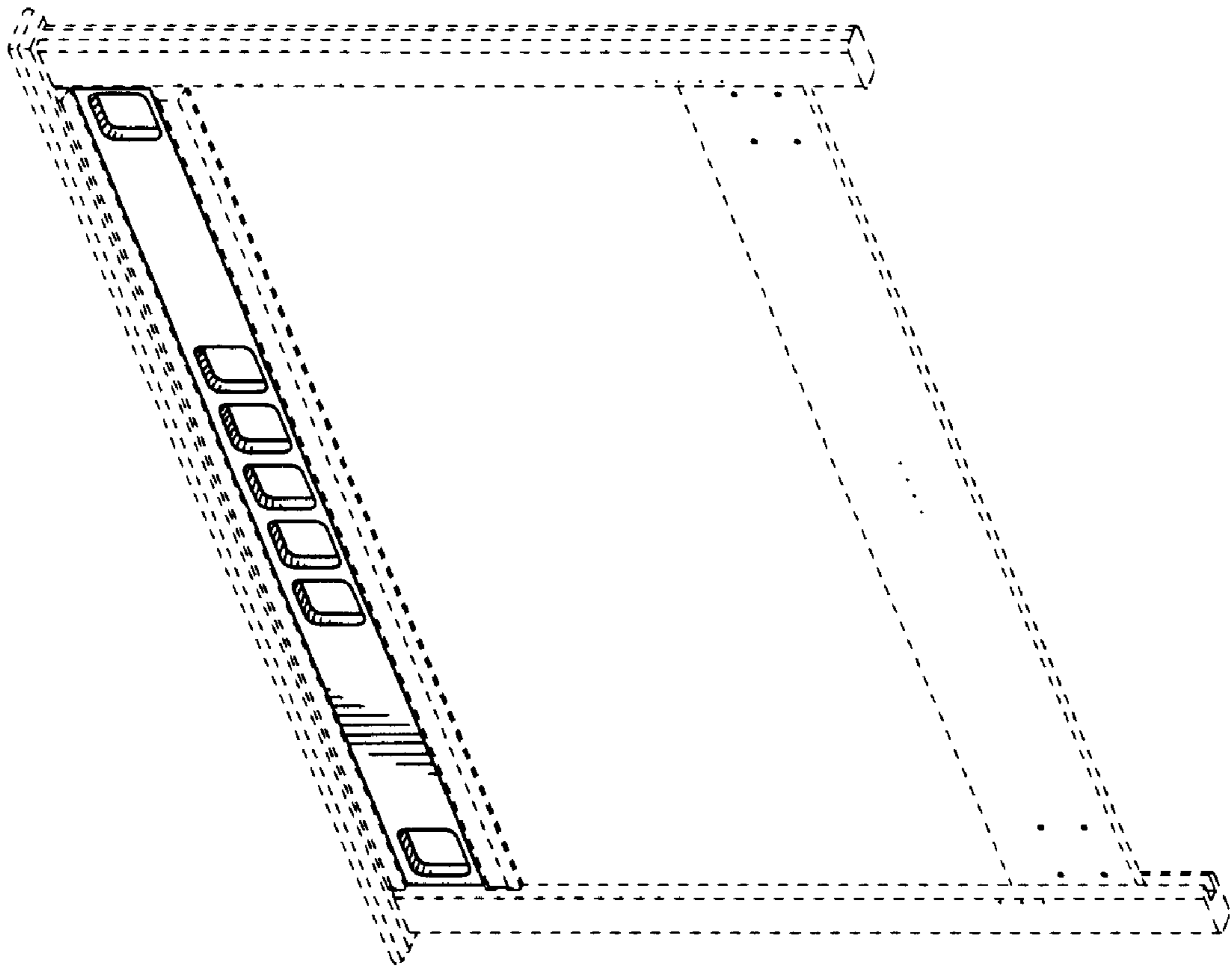


FIG. 7

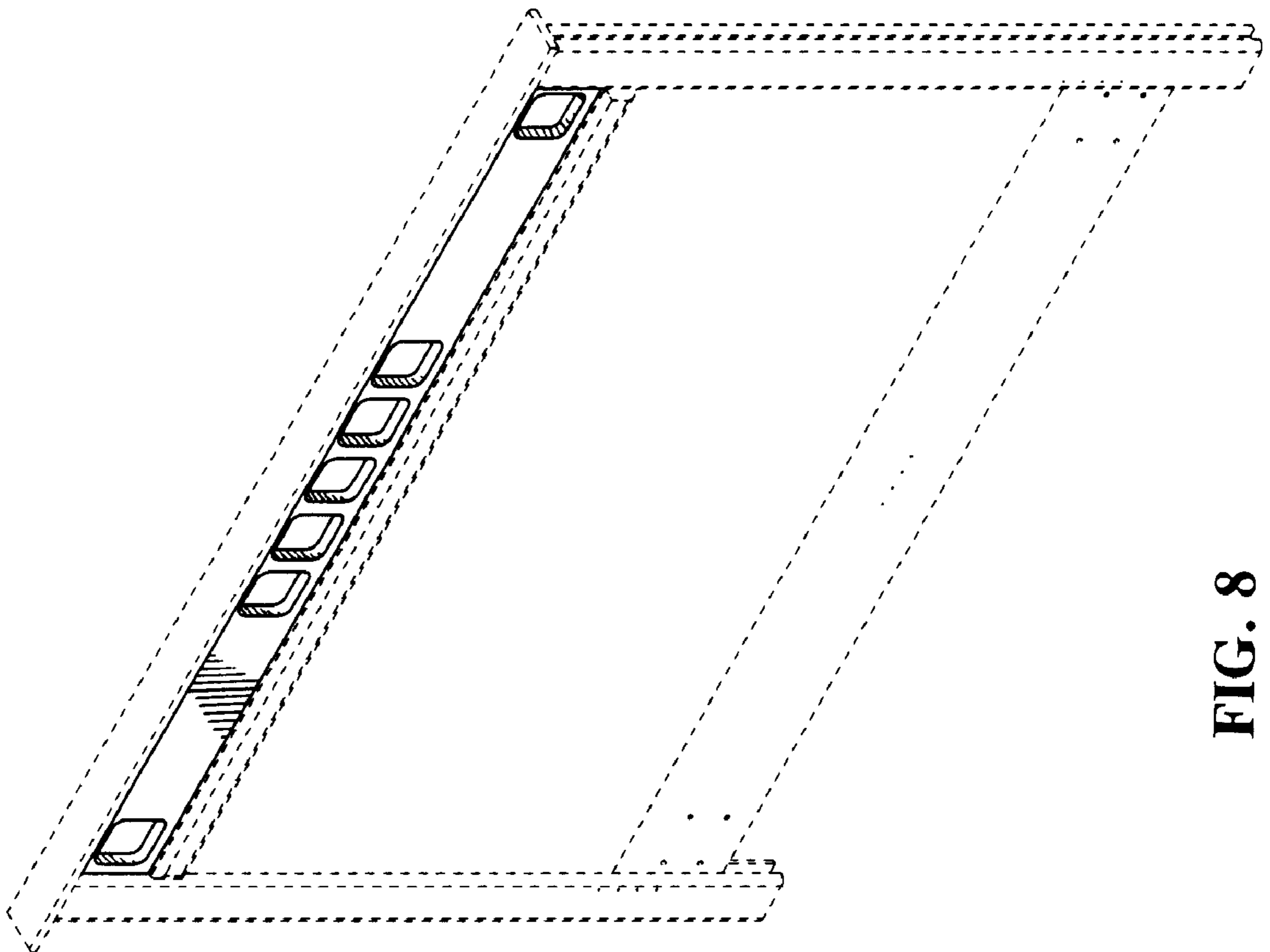


FIG. 8