



US00D450489B1

(12) **United States Design Patent**  
**Wong**

(10) **Patent No.:** **US D450,489 S**

(45) **Date of Patent:** **\*\* Nov. 20, 2001**

(54) **STAND FOR TELEVISION RECEIVER**

(75) Inventor: **Chong Bing Wong**, Eindhoven (NL)

(73) Assignee: **U.S. Philips Corporation**, New York, NY (US)

(\*\*) Term: **14 Years**

(21) Appl. No.: **29/144,803**

(22) Filed: **Jul. 10, 2001**

(30) **Foreign Application Priority Data**

May 3, 2001 (XH) ..... DMA/005 290

(51) **LOC (7) Cl.** ..... **06-04**

(52) **U.S. Cl.** ..... **D6/479; D6/484**

(58) **Field of Search** ..... D6/449, 464, 465, D6/477, 478, 479, 570, 574, 461, 480, 483, 484; 108/59, 91, 92; 211/13.1; D14/224

(56) **References Cited**

**U.S. PATENT DOCUMENTS**

D. 311,289 \* 10/1990 Wilson et al. .... D6/461

D. 327,381 \* 6/1992 Ross ..... D6/461

D. 378,175 \* 2/1997 Hamami ..... D6/479

D. 402,486 \* 12/1998 Wada et al. .... D6/479

\* cited by examiner

*Primary Examiner*—Cathron C. Brooks

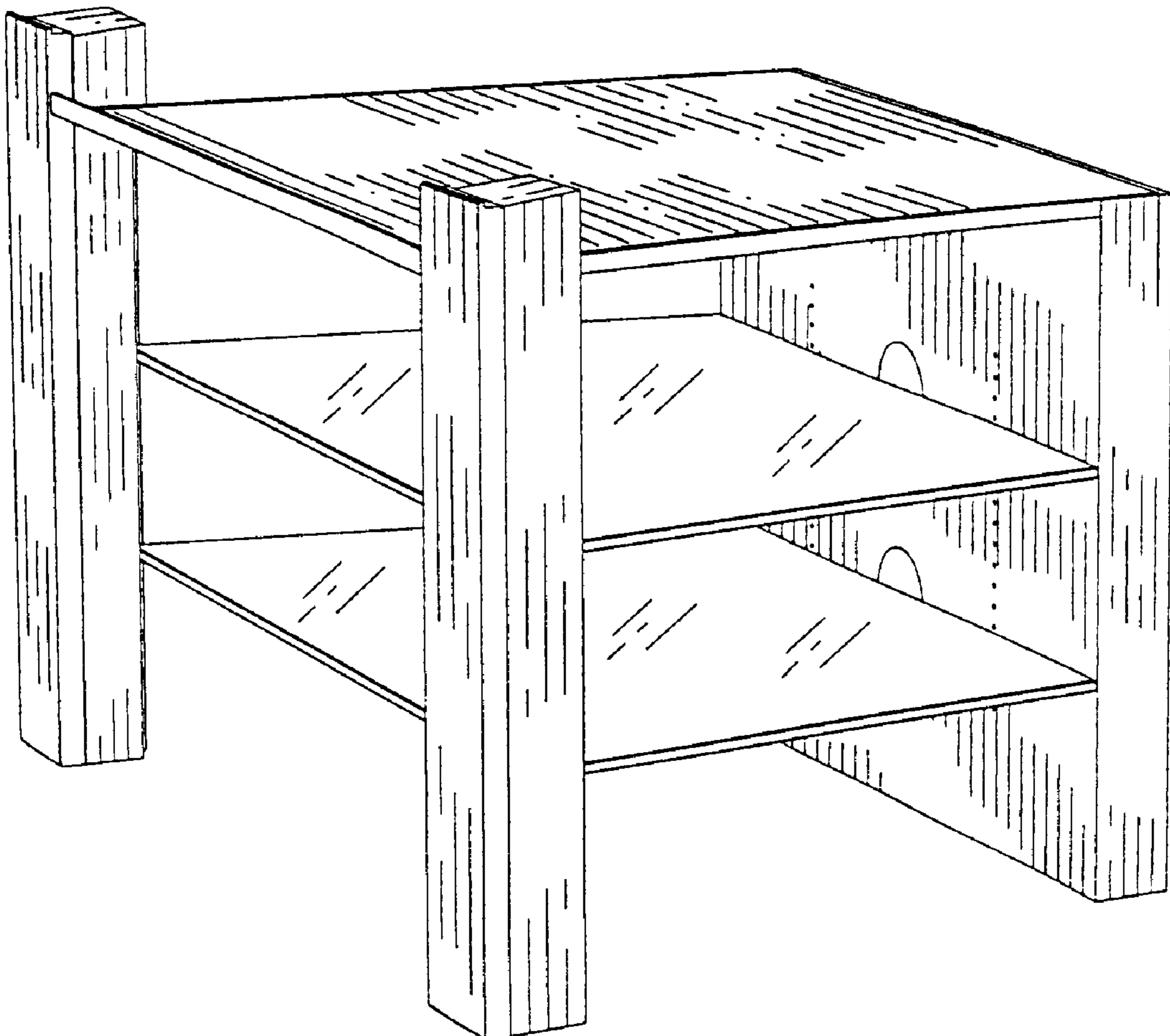
(57) **CLAIM**

The ornamental design for a stand for television receiver, as shown.

**DESCRIPTION**

FIG. 1 is a perspective view showing my design;  
FIG. 2 is a front elevational view thereof;  
FIG. 3 is a rear elevational view thereof;  
FIG. 4 is a right side elevational view thereof;  
FIG. 5 is a left side elevational view thereof;  
FIG. 6 is a top plan view thereof; and,  
FIG. 7 is a bottom plan view thereof.

**1 Claim, 3 Drawing Sheets**



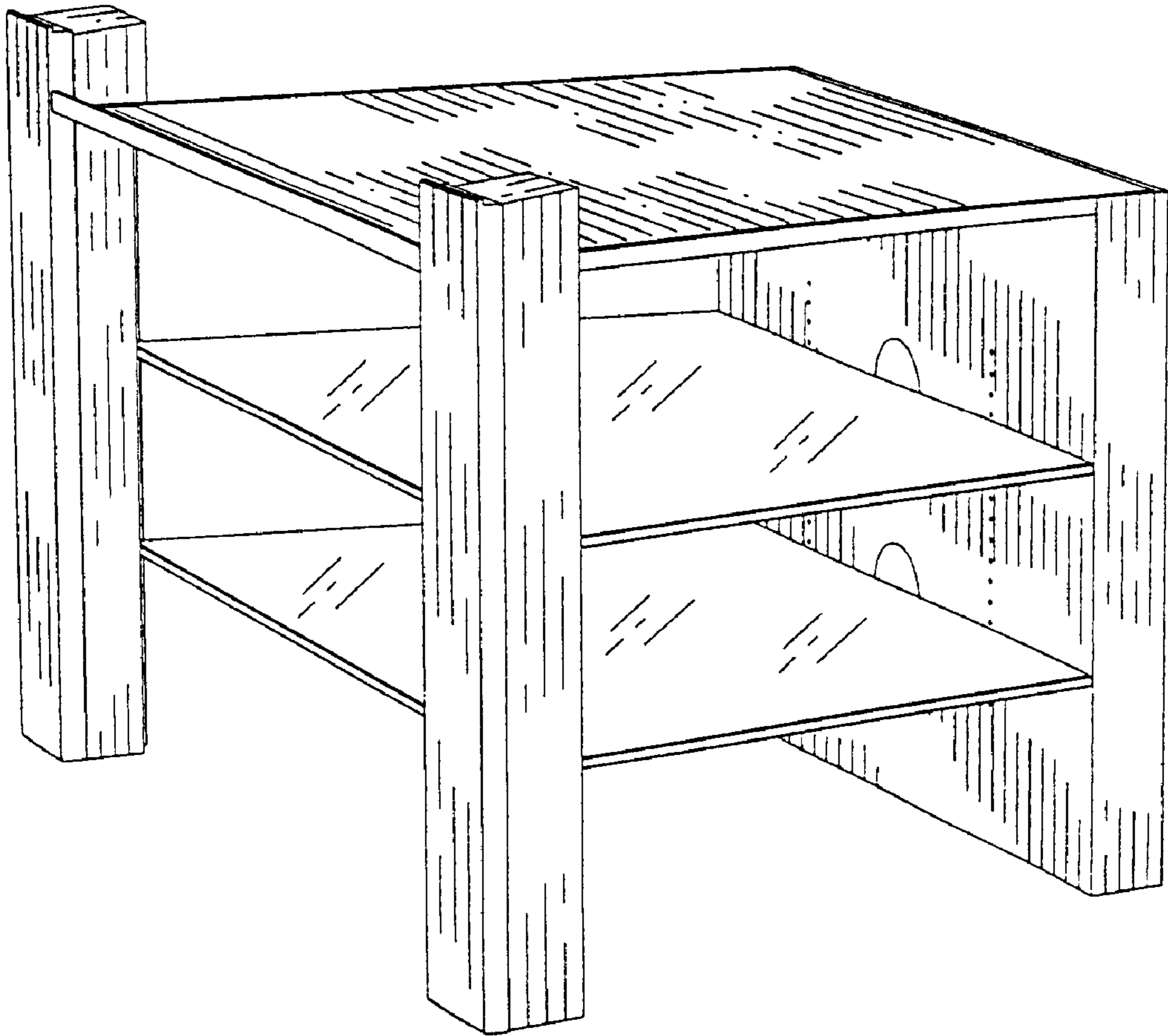


FIG. 1

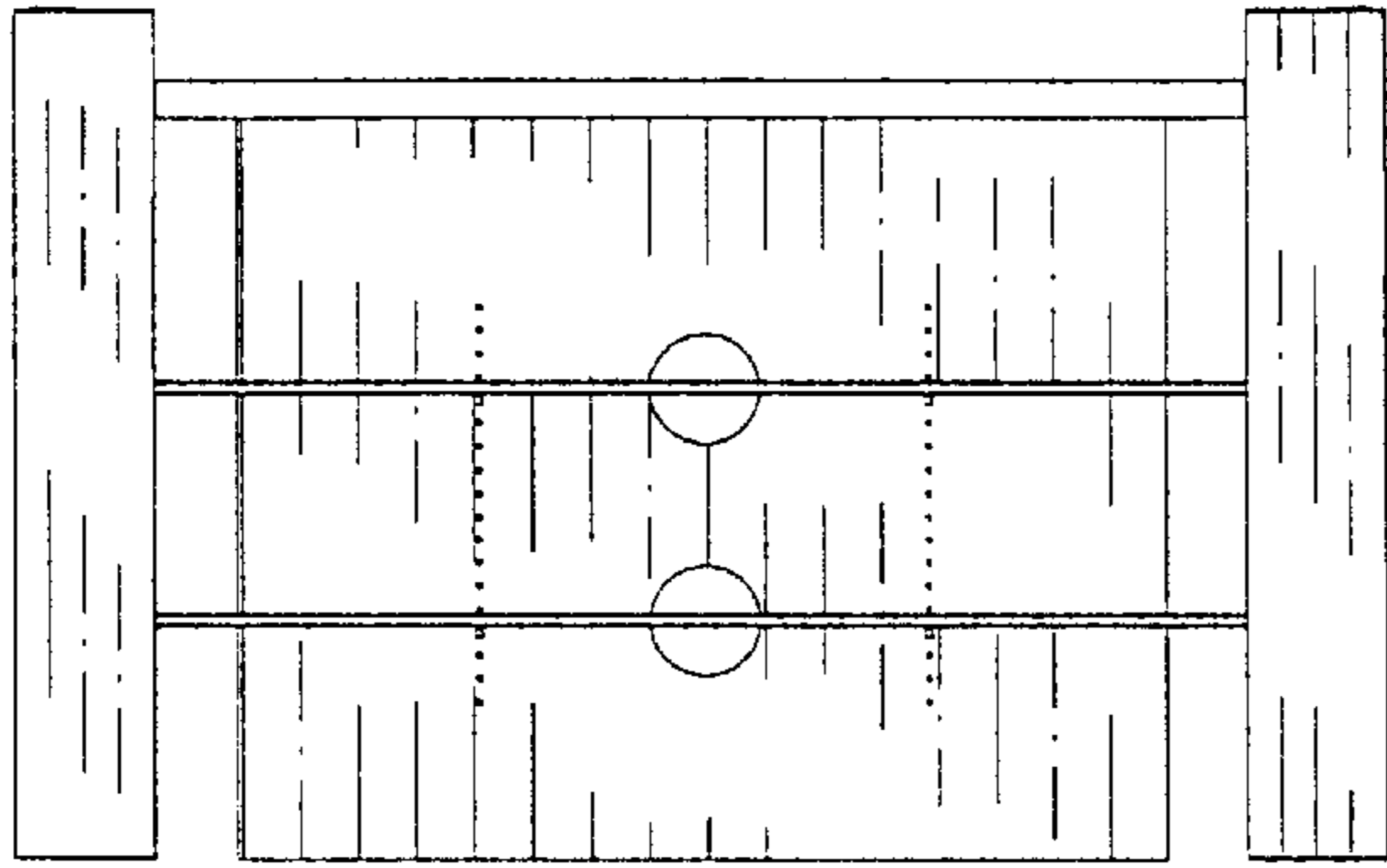


FIG. 2

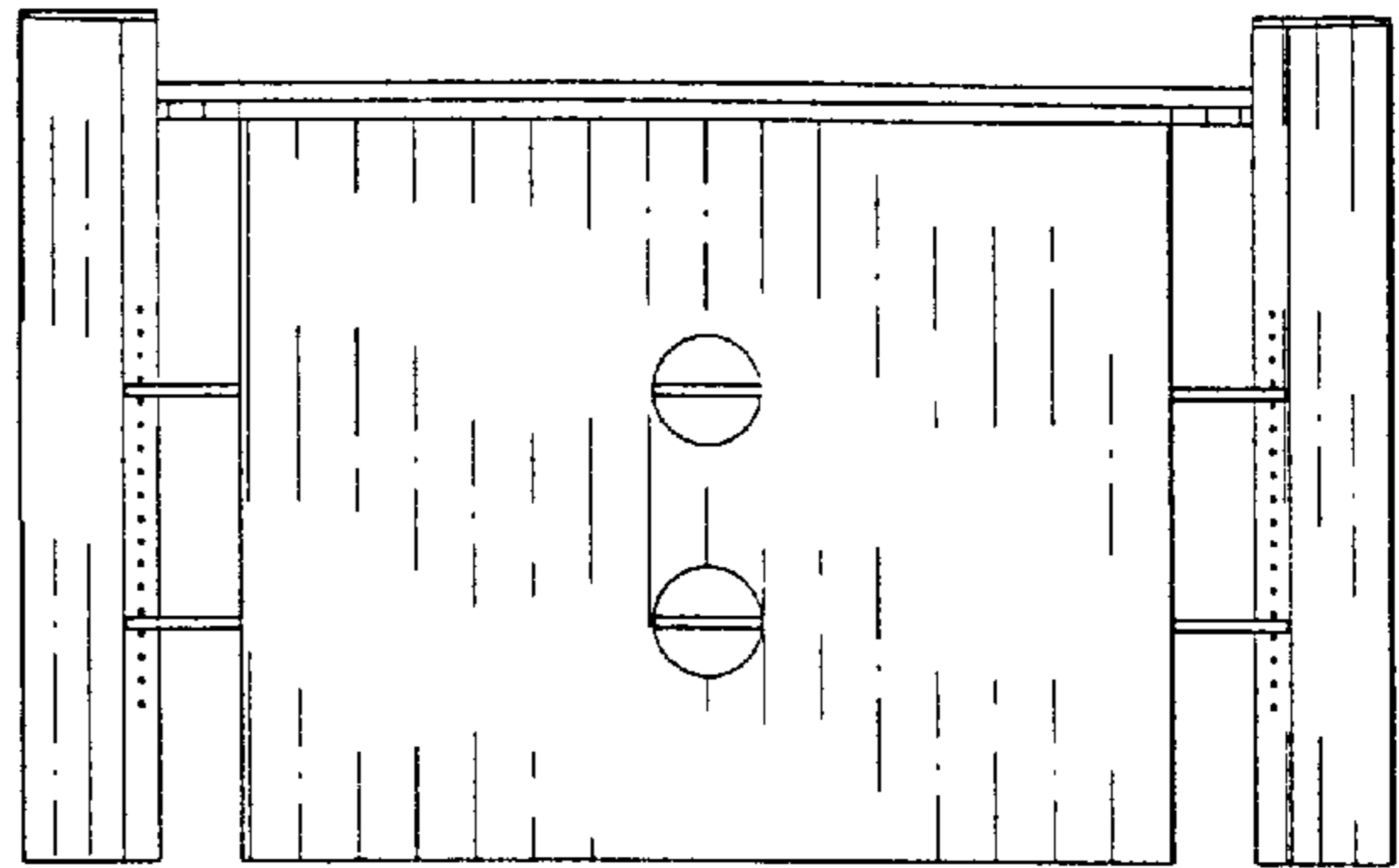


FIG. 3

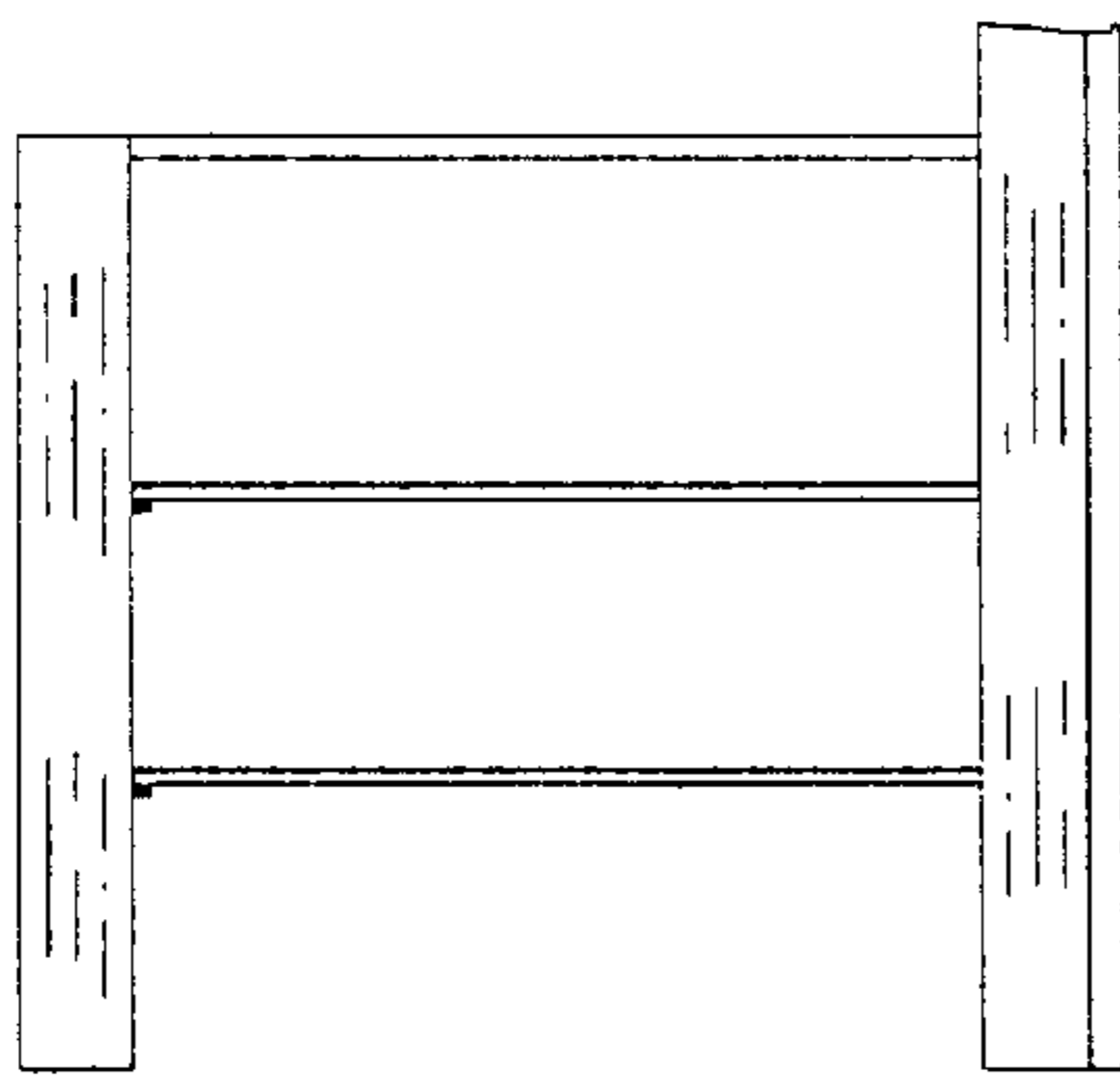


FIG. 4

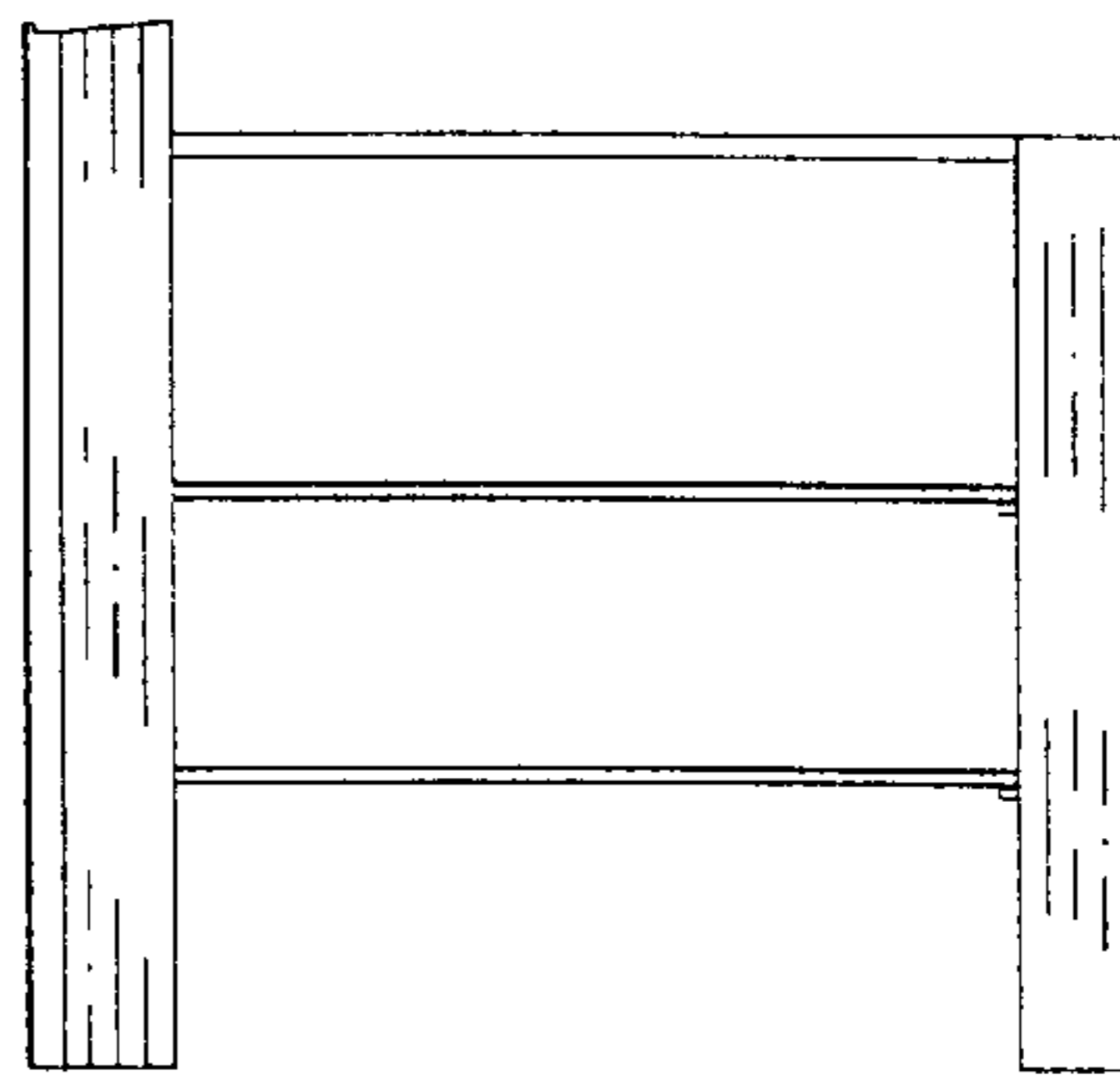


FIG. 5

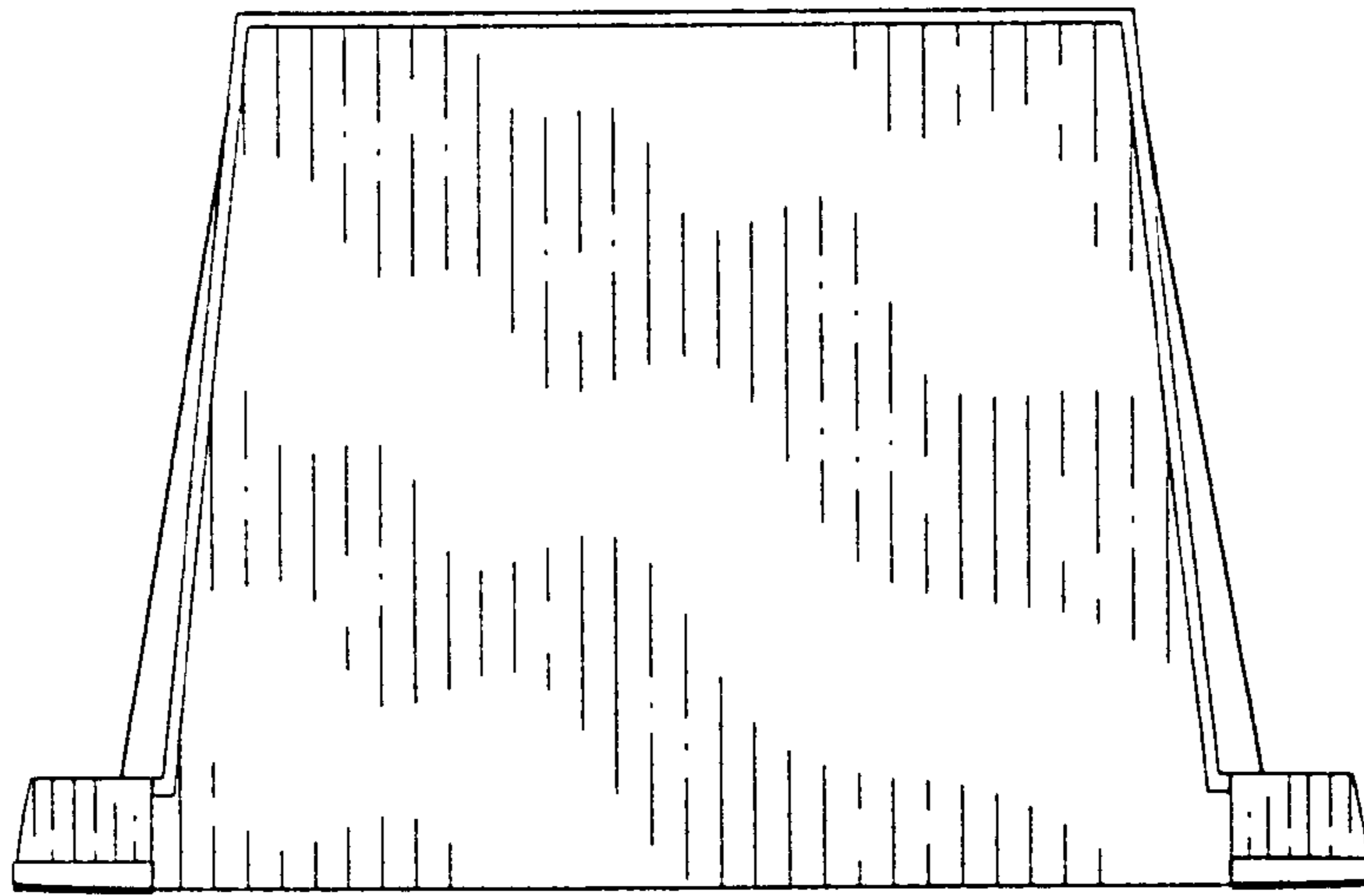


FIG. 6

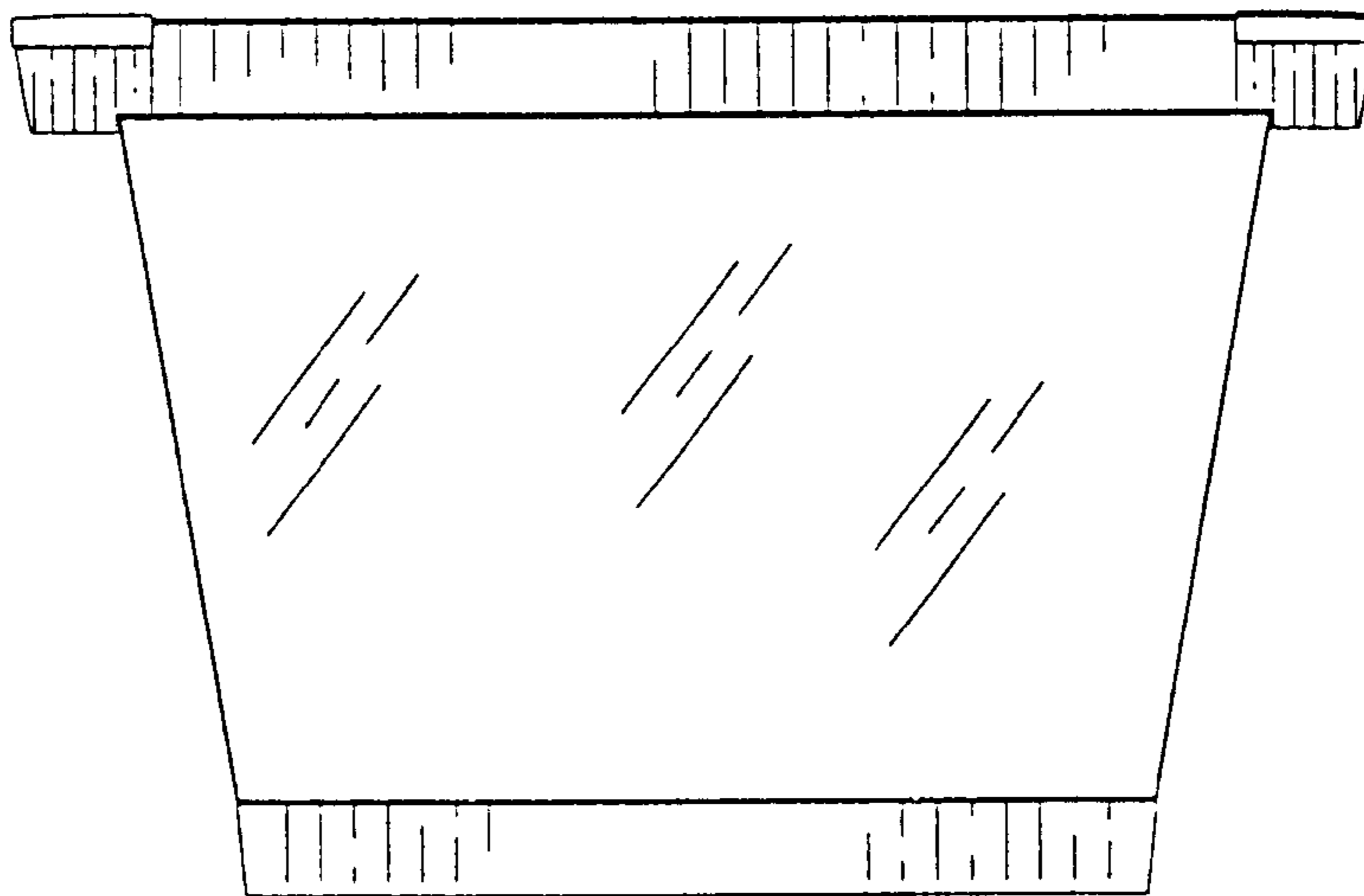


FIG. 7