



US00D450483B1

(12) **United States Design Patent**
Chang et al.

(10) **Patent No.:** **US D450,483 S**

(45) **Date of Patent:** **** Nov. 20, 2001**

(54) **DISPLAY CASE FOR FLATWARE**

D. 238,131 * 12/1975 Mendlin D6/445
D. 328,398 * 8/1992 Benedetto D6/436

(75) Inventors: **Dennis L. Chang**, East Brunswick, NJ (US); **Larry R. Enochs**, Columbia, PA (US); **Mark R. Hernick**, Chadds Ford, PA (US); **Christopher T. Rich**, Lancaster, PA (US)

* cited by examiner

Primary Examiner—Cathron C. Brooks
(74) *Attorney, Agent, or Firm*—Wall Marjama & Bilinski

(73) Assignee: **Oneida, Ltd.**, Oneida, NY (US)

(57) **CLAIM**

(**) Term: **14 Years**

The ornamental design for a display case for flatware, as shown and described.

(21) Appl. No.: **29/138,247**

DESCRIPTION

(22) Filed: **Mar. 9, 2001**

(51) **LOC (7) Cl.** **06-04**

(52) **U.S. Cl.** **D6/467; D6/436; D6/441; D6/468**

(58) **Field of Search** D6/396, 436, 445, D6/441, 449, 466, 467, 468; 312/117

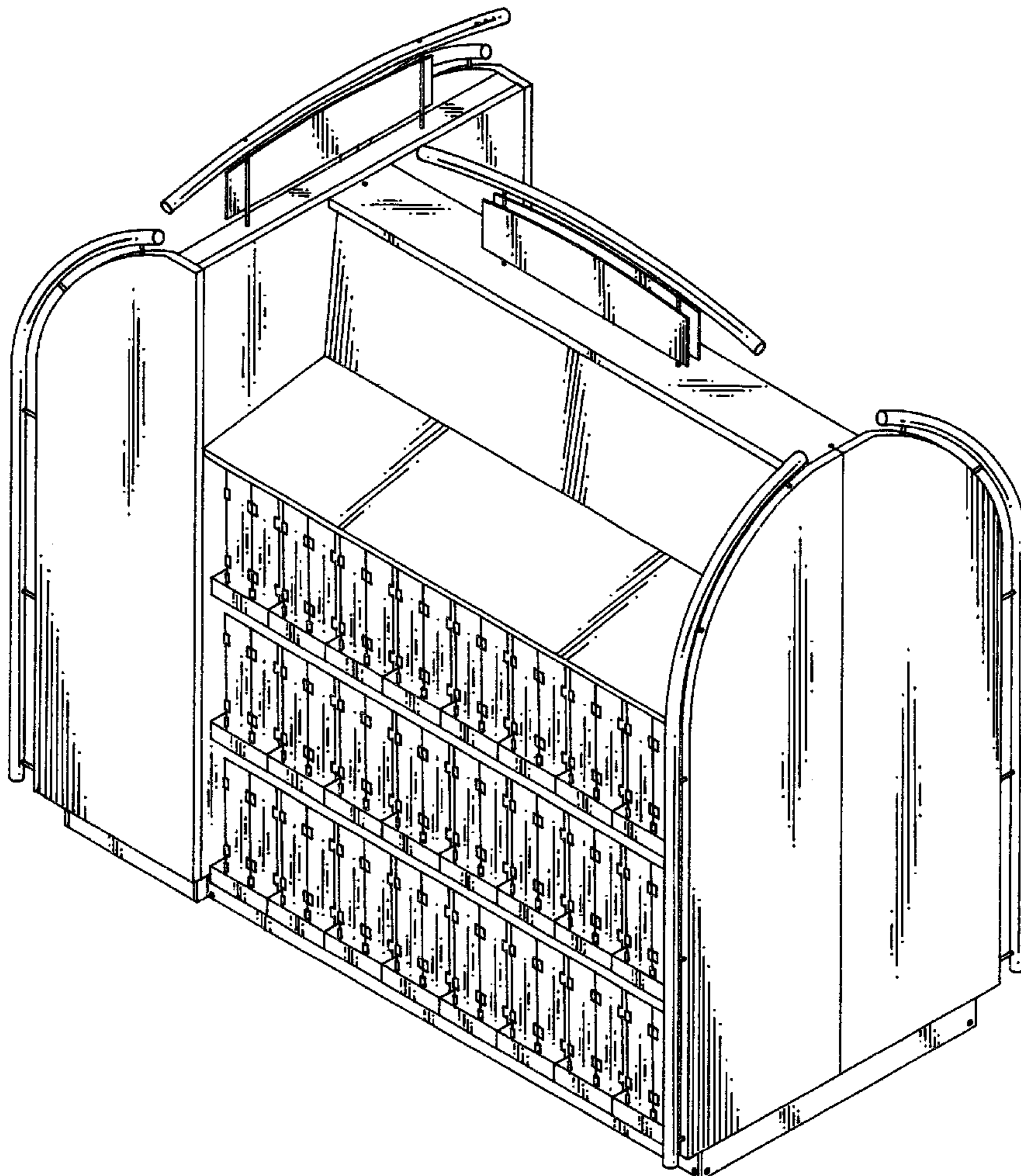
FIG. 1 is a perspective view of a display case for flatware, illustrating our new design;
FIG. 2 is a front view thereof; the rear view being a mirror image thereof;
FIG. 3 is a right side view thereof;
FIG. 4 is a left side view thereof; and,
FIG. 5 is a top view thereof.

(56) **References Cited**

U.S. PATENT DOCUMENTS

D. 164,333 * 8/1951 Schultz D6/441

1 Claim, 4 Drawing Sheets



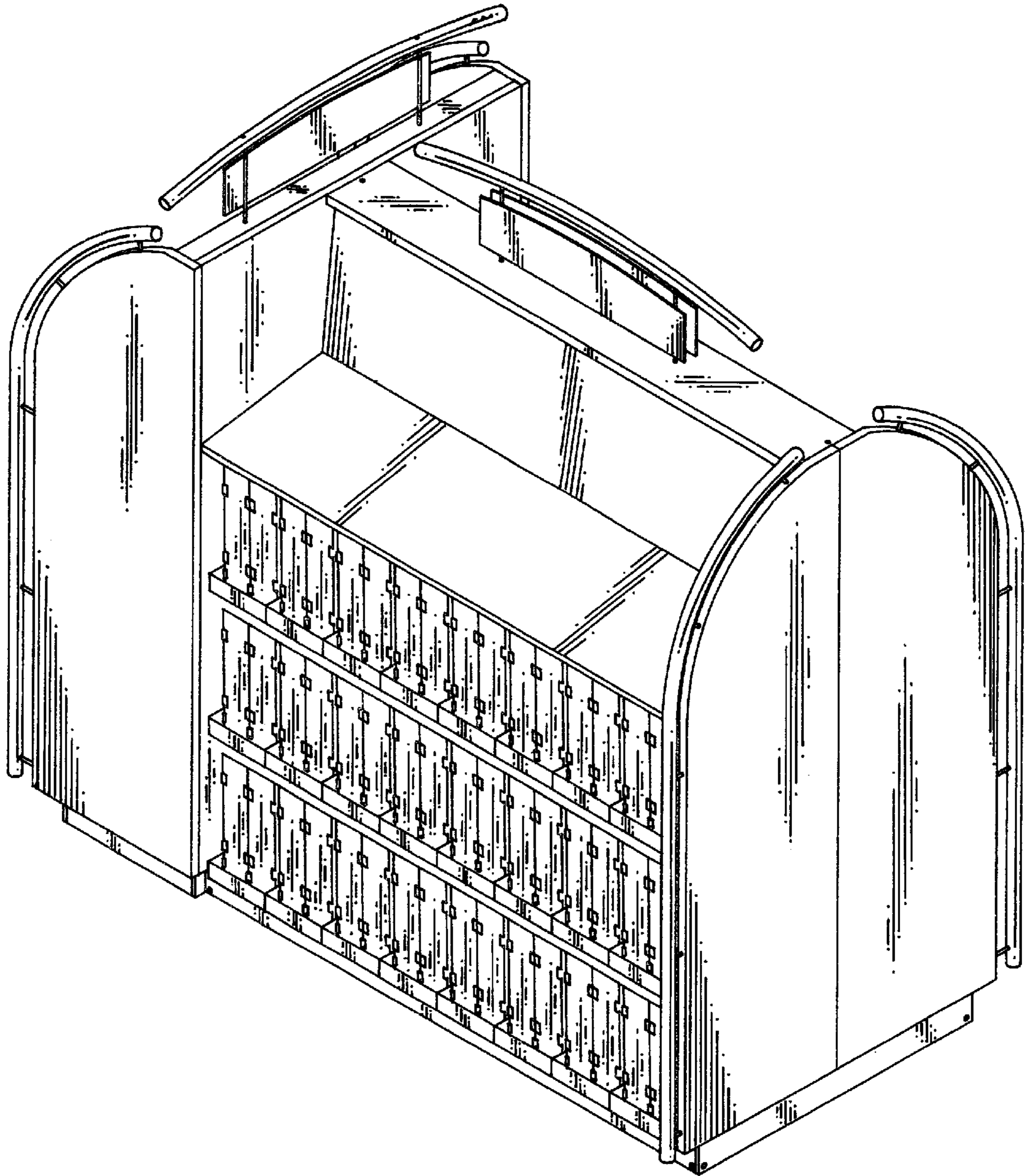
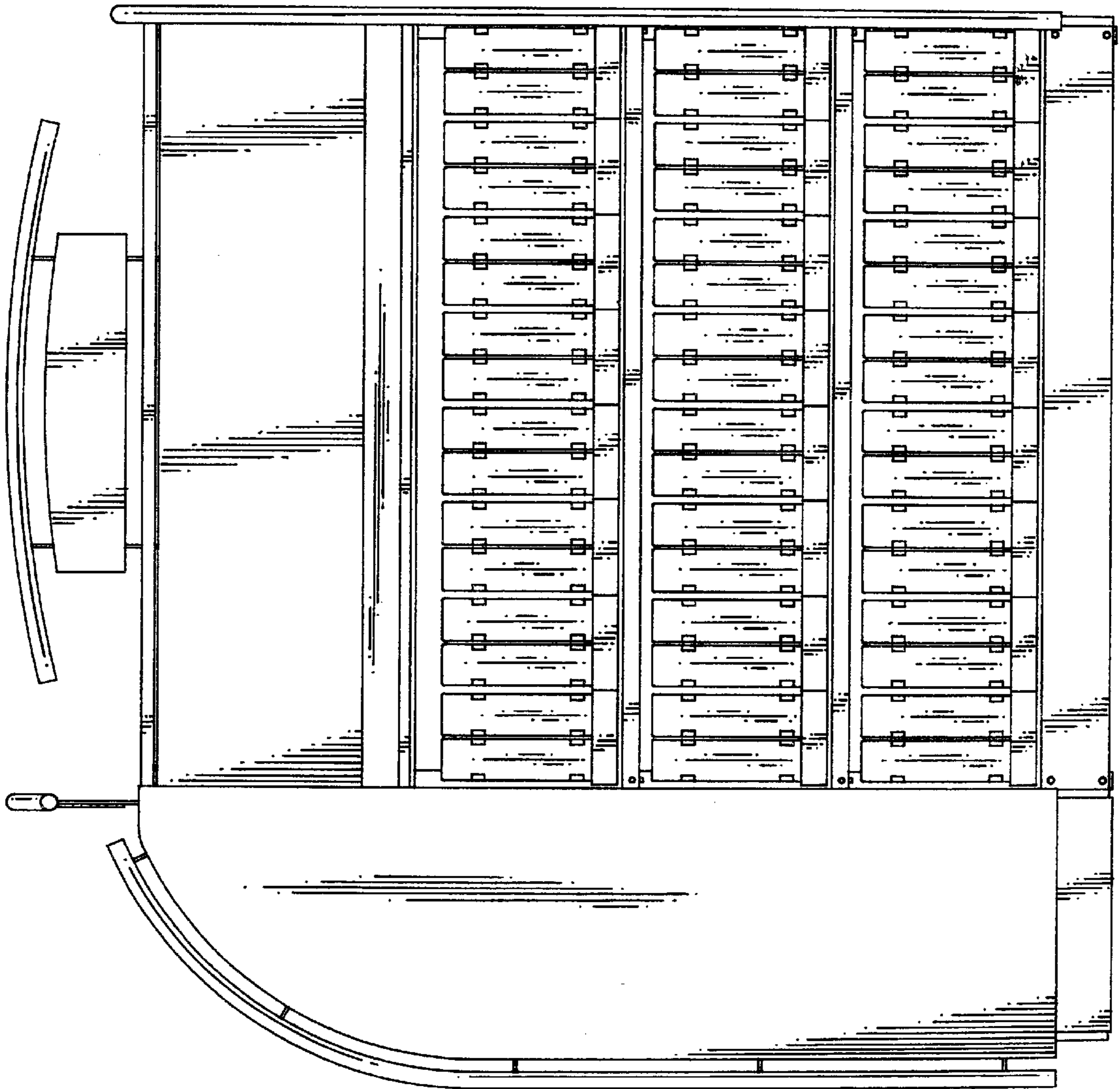


FIG. 1

FIG. 2



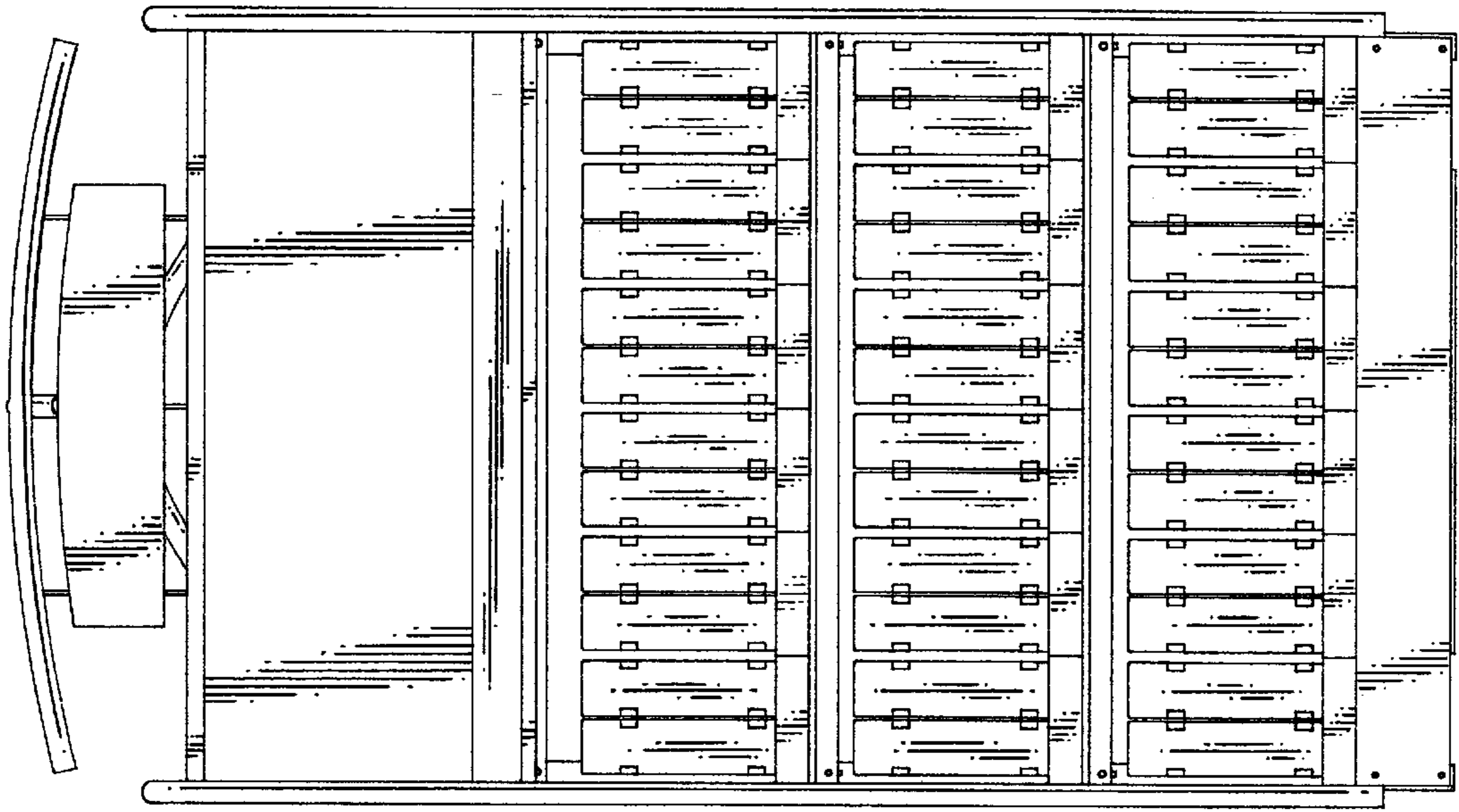


FIG. 4

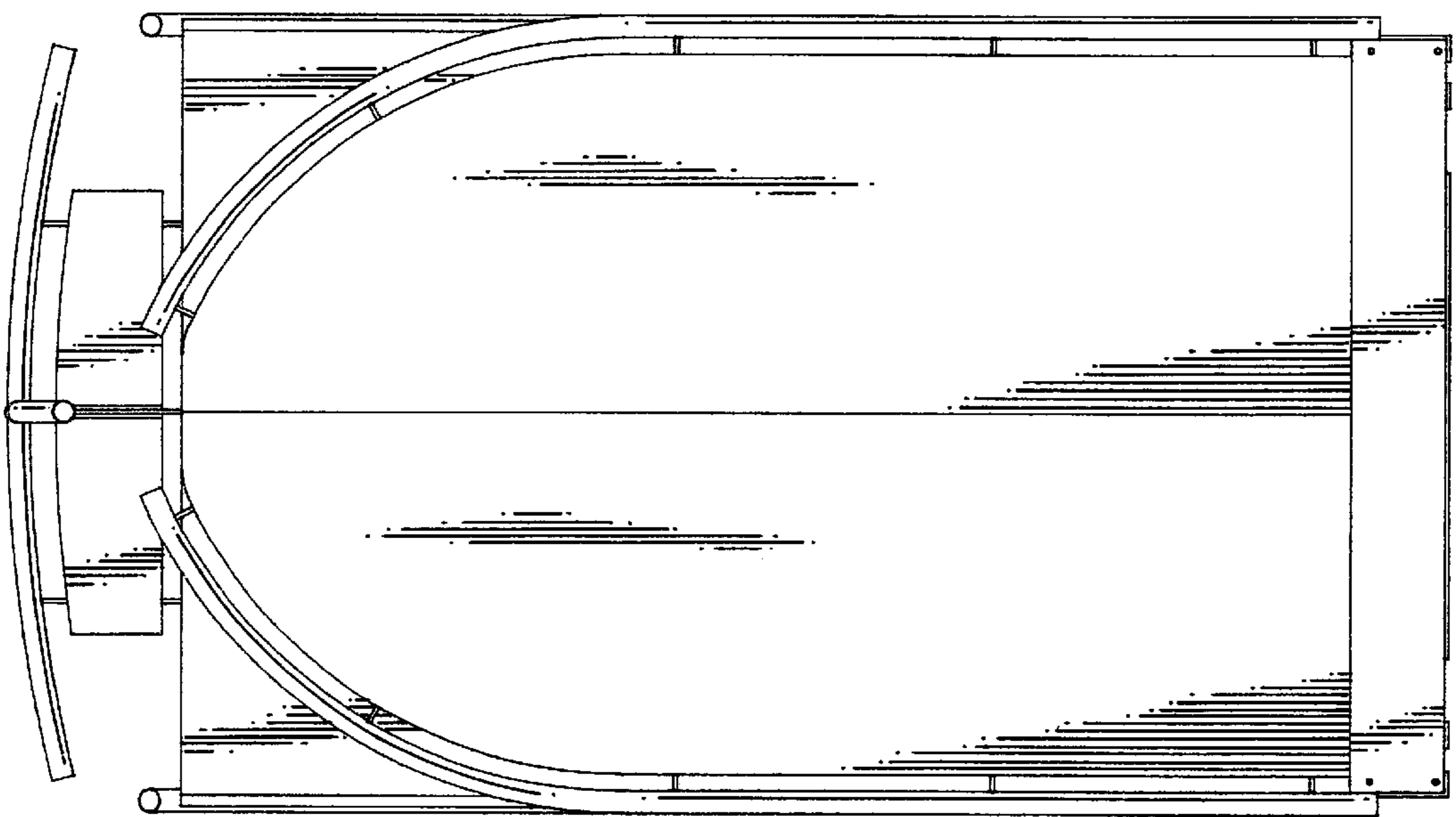


FIG. 3

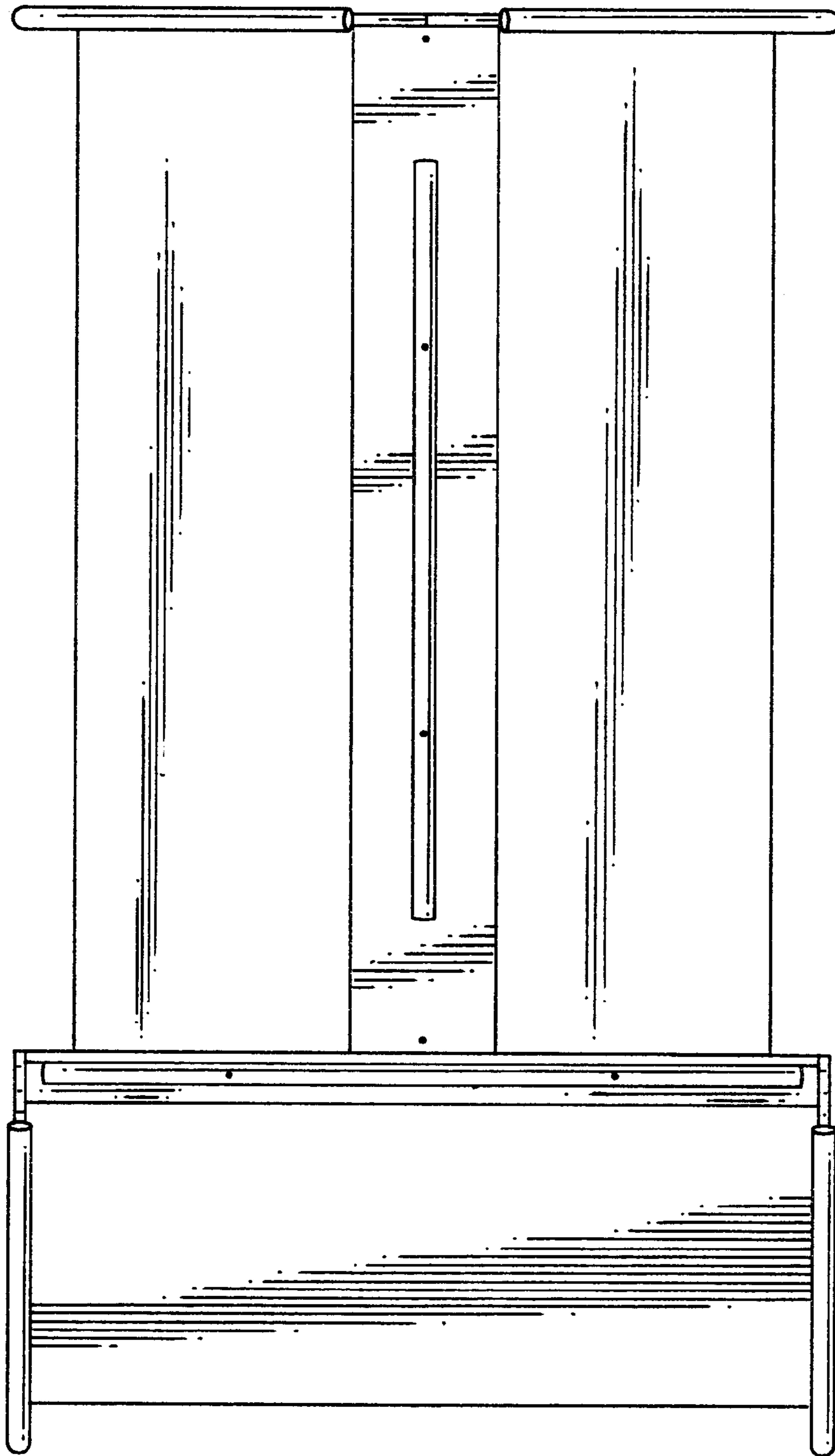


FIG. 5