



US00D450480B1

(12) **United States Design Patent**
Stephens

(10) **Patent No.:** **US D450,480 S**

(45) **Date of Patent:** **** Nov. 20, 2001**

(54) **DISPLAY RACK FOR GLOVES AND SIMILAR ARTICLES**

(76) **Inventor:** **Earl R. Stephens**, 4407 San Juan Ave., Anacortes, WA (US) 98221

(**) **Term:** **14 Years**

(21) **Appl. No.:** **29/116,579**

(22) **Filed:** **Jan. 4, 2000**

(51) **LOC (7) Cl.** **06-04**

(52) **U.S. Cl.** **D6/458**

(58) **Field of Search** D6/449, 455, 458, D6/459, 460-465; 211/90.03, 90.04, 112, 113, 181.1, 189, 198

(56) **References Cited**

U.S. PATENT DOCUMENTS

- D. 86,167 * 2/1932 Heinze D6/463
- D. 378,881 * 4/1997 Lusk et al. D6/463

* cited by examiner

Primary Examiner—Dominic Simone

(74) *Attorney, Agent, or Firm*—Todd N. Hathaway

(57) **CLAIM**

The ornamental design for a display rack for gloves and similar articles, as shown and described.

DESCRIPTION

FIG. 1 is a front elevational view of a display rack for gloves and similar articles showing my new design, the breaks being shown in the vertical members to indicate indeterminate length and the broken line showing of a glove being for

illustrative purpose only and forming no part of the claimed design;

FIG. 2 is a right-side elevational view of the display rack of FIG. 1;

FIG. 3 is a rear elevational view thereof;

FIG. 4 is a left-side elevational view thereof;

FIG. 5 is the top plan view thereof;

FIG. 6 is a bottom plan view thereof;

FIG. 7 is a front elevational view of a second embodiment of FIG. 1, the breaks being shown in the vertical members to indicate indeterminate length;

FIG. 8 is a right-side elevational view of the display rack of FIG. 7;

FIG. 9 is a rear elevational view thereof;

FIG. 10 is a left-side elevational view thereof;

FIG. 11 is a top plan view thereof;

FIG. 12 is a bottom plan view thereof;

FIG. 13 is a front elevational view of a third embodiment of FIG. 1, the breaks being shown in the vertical members to indicate indeterminate length;

FIG. 14 is a right-side elevational view of the display rack of FIG. 13;

FIG. 15 is a rear elevational view thereof;

FIG. 16 is a left-side elevational view thereof;

FIG. 17 is a top plan view thereof;

FIG. 18 is a bottom plan view thereof;

FIG. 19 is a front elevational view of a fourth embodiment of FIG. 1, the breaks being shown in the horizontal members to indicate indeterminate length;

FIG. 20 is a right-side elevational view of the display rack of FIG. 19;

FIG. 21 is a rear elevational view thereof;

FIG. 22 is a left-side elevational view thereof;

FIG. 23 is a top plan view thereof; and,

FIG. 24 is a bottom plan view thereof.

1 Claim, 21 Drawing Sheets

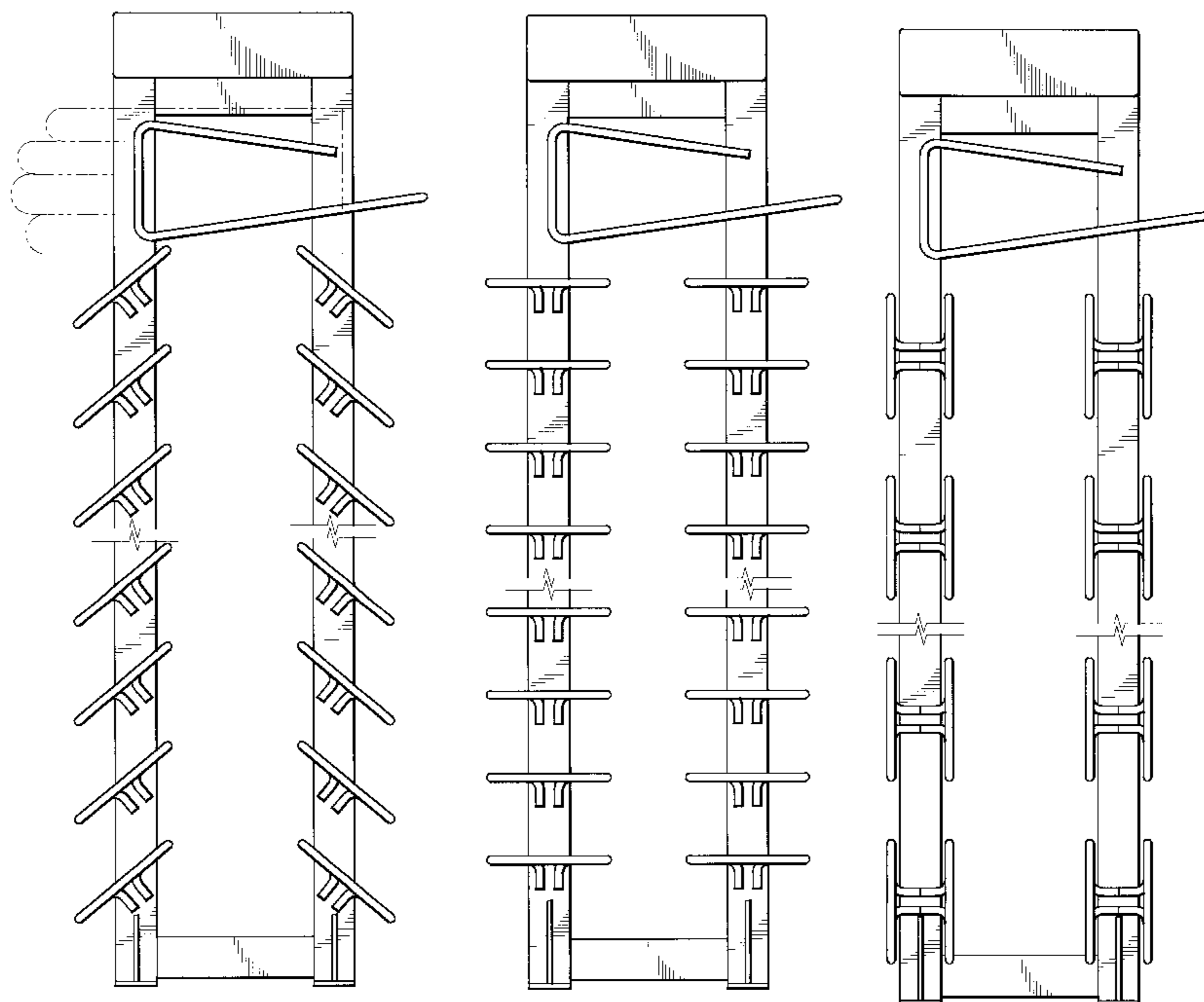


FIG. 1

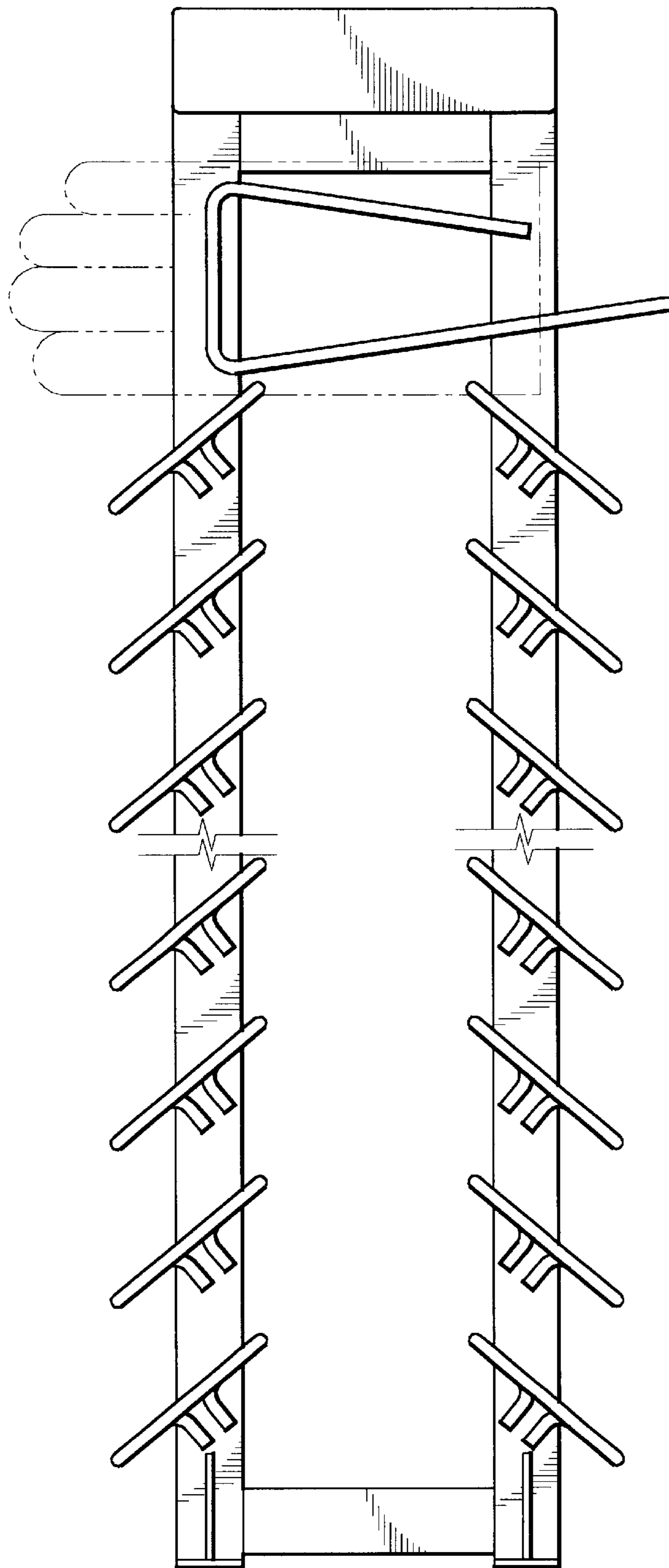


FIG. 2

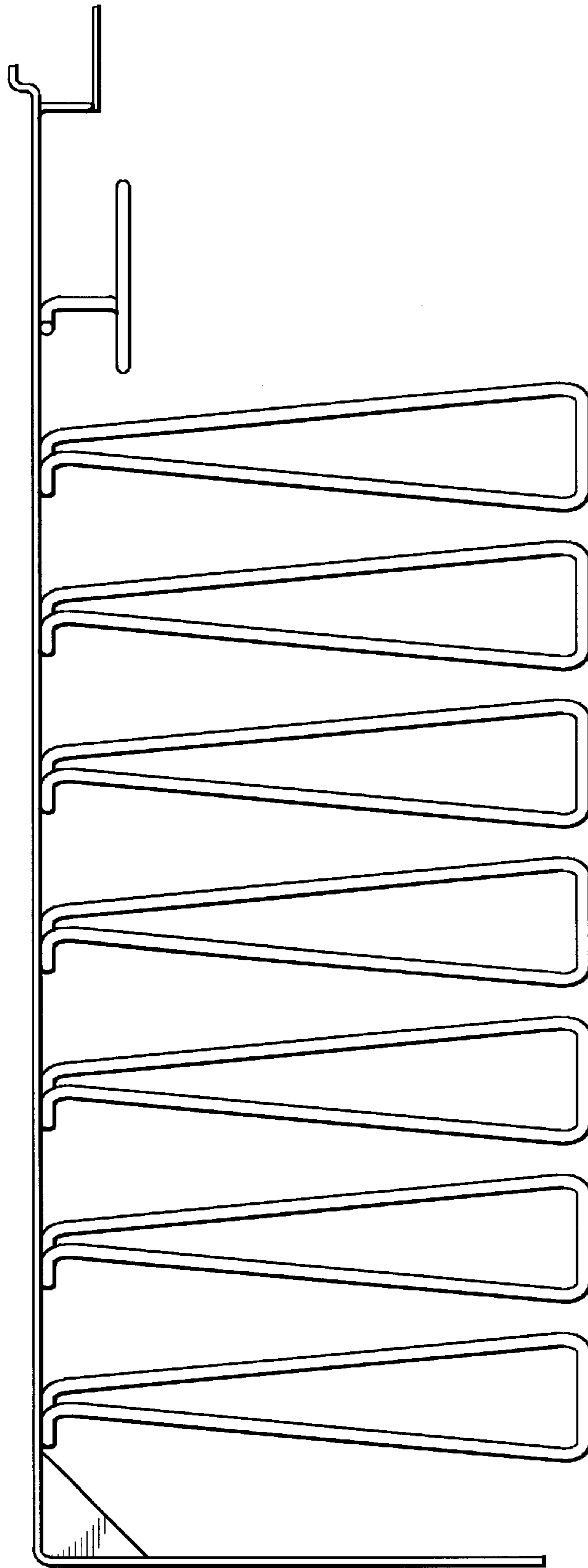


FIG. 3

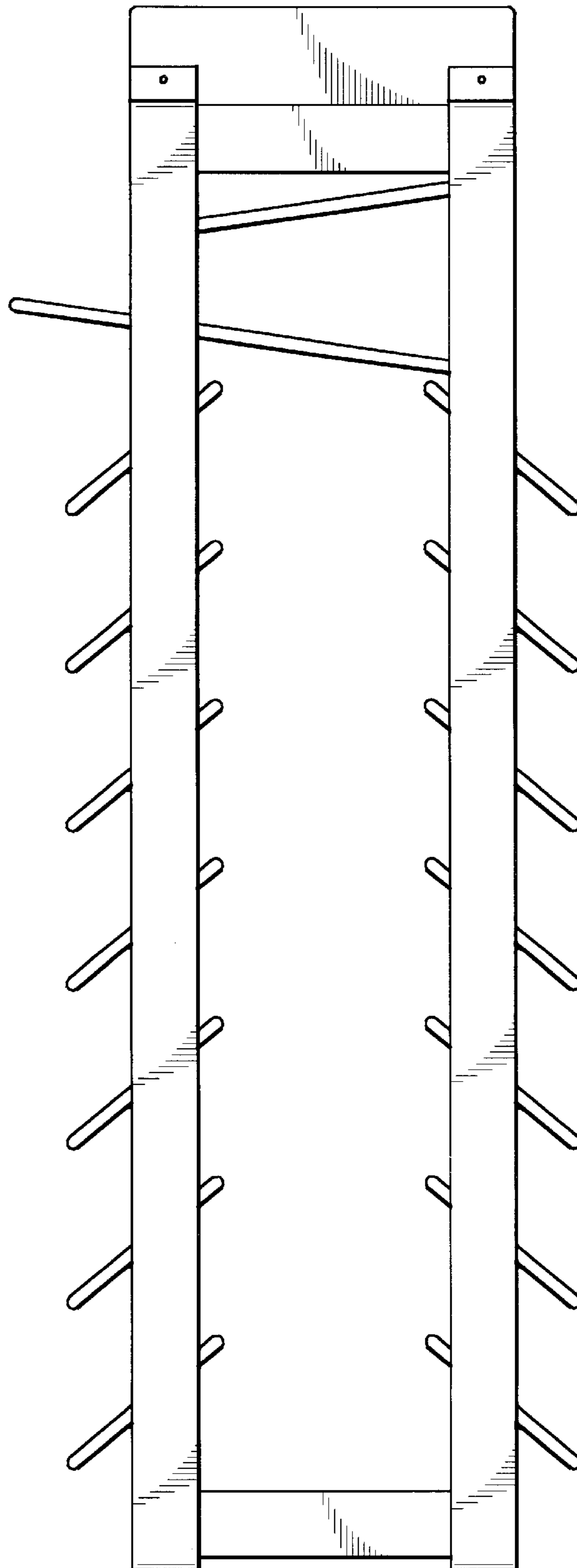


FIG. 4

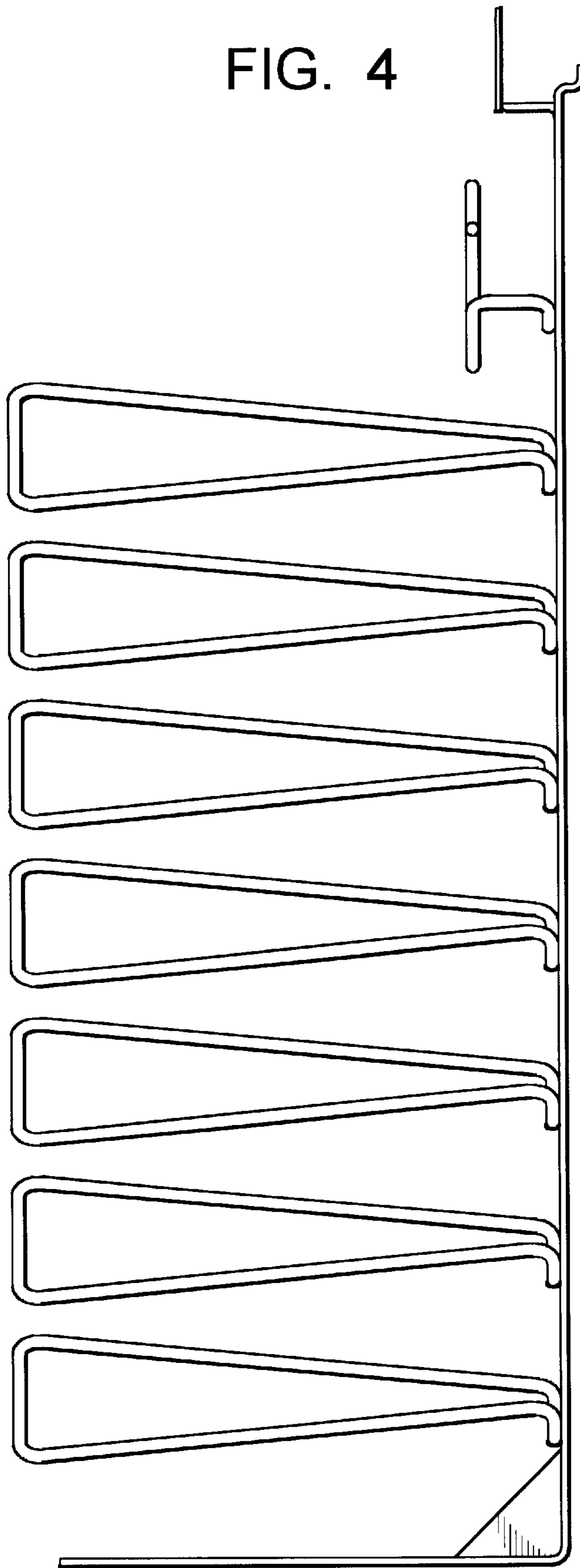


FIG. 5

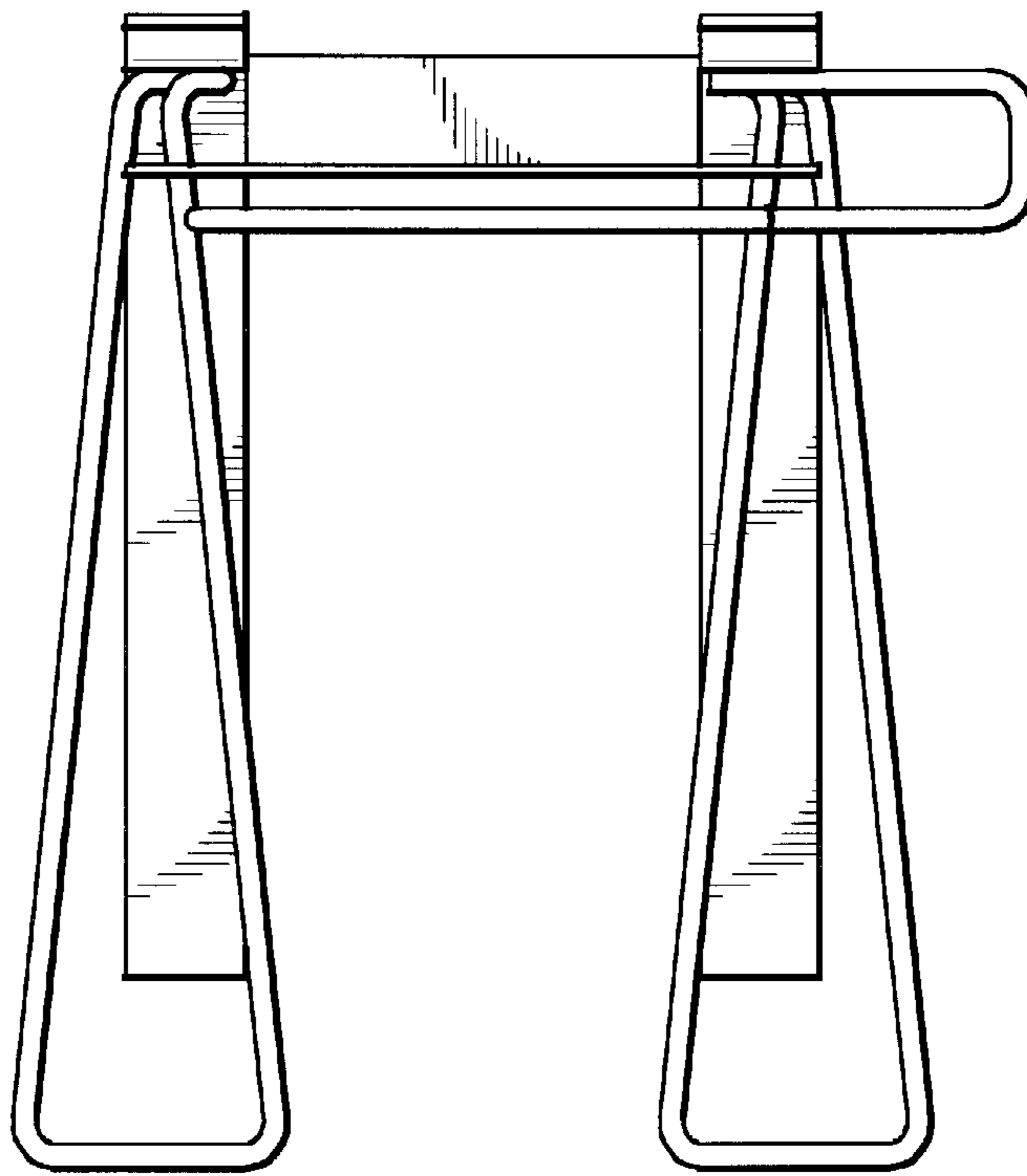


FIG. 6

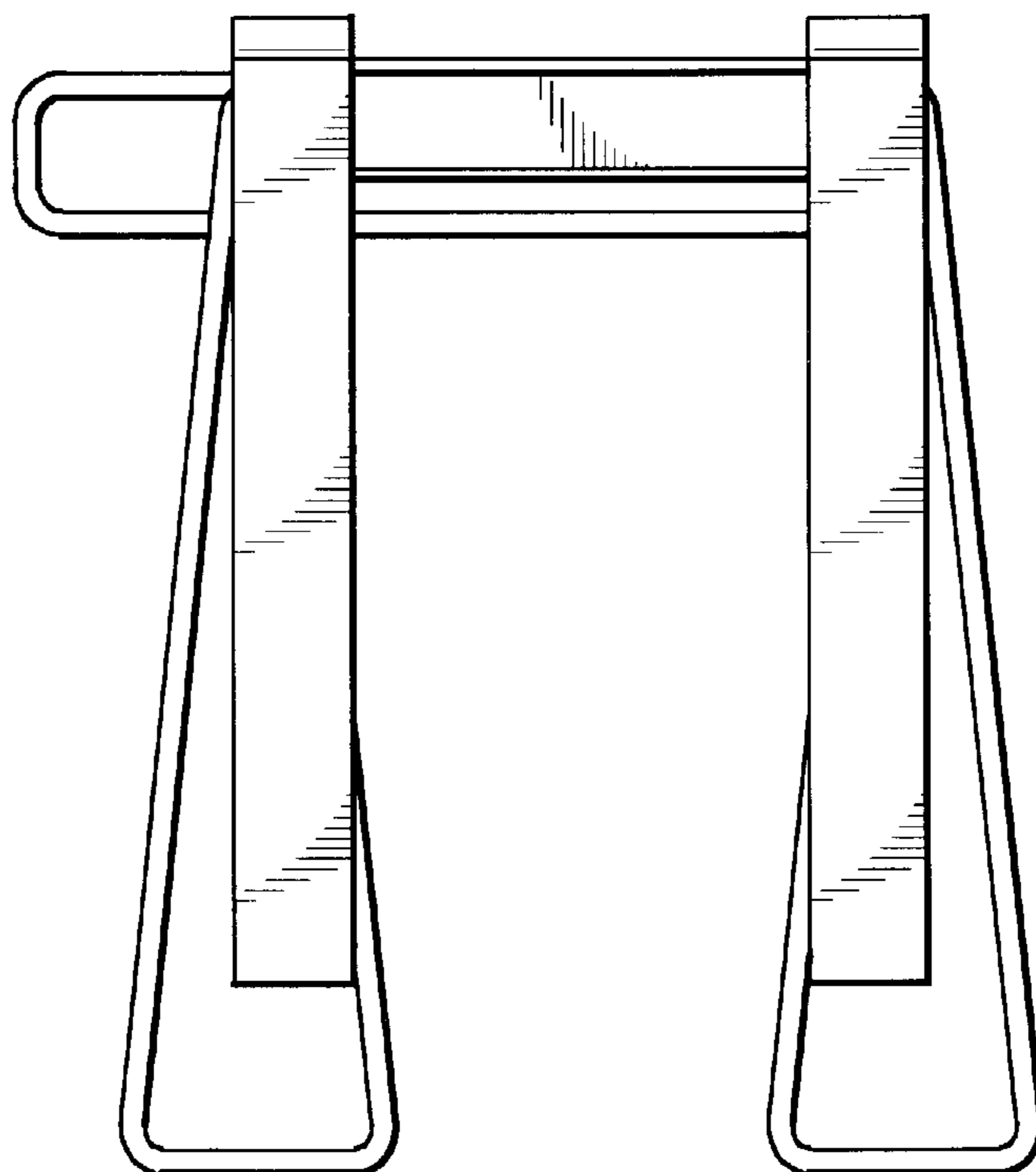


FIG. 7

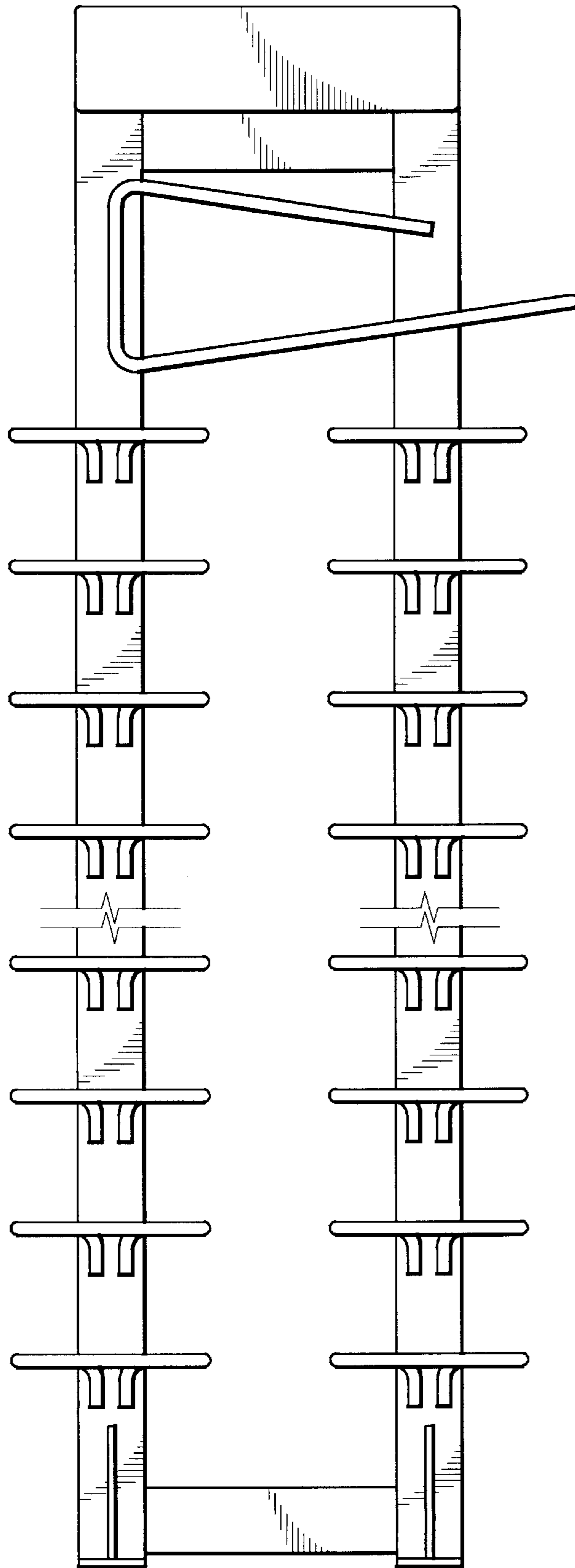


FIG. 8

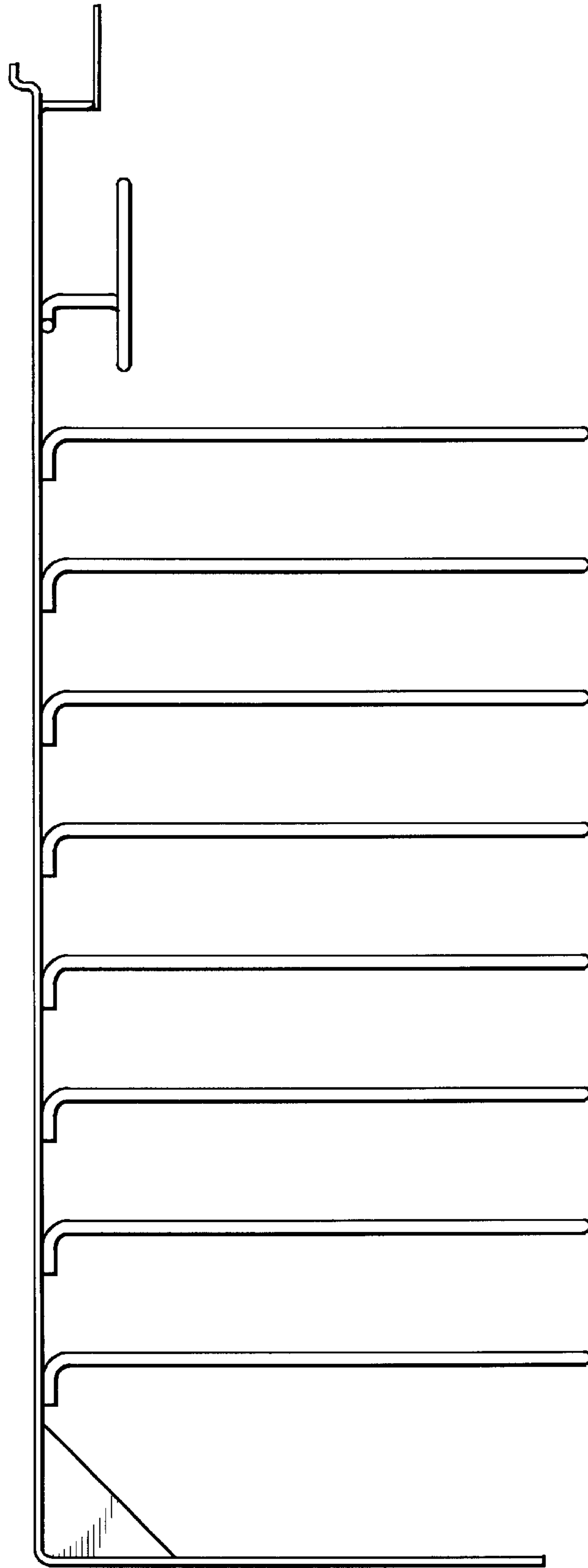


FIG. 9

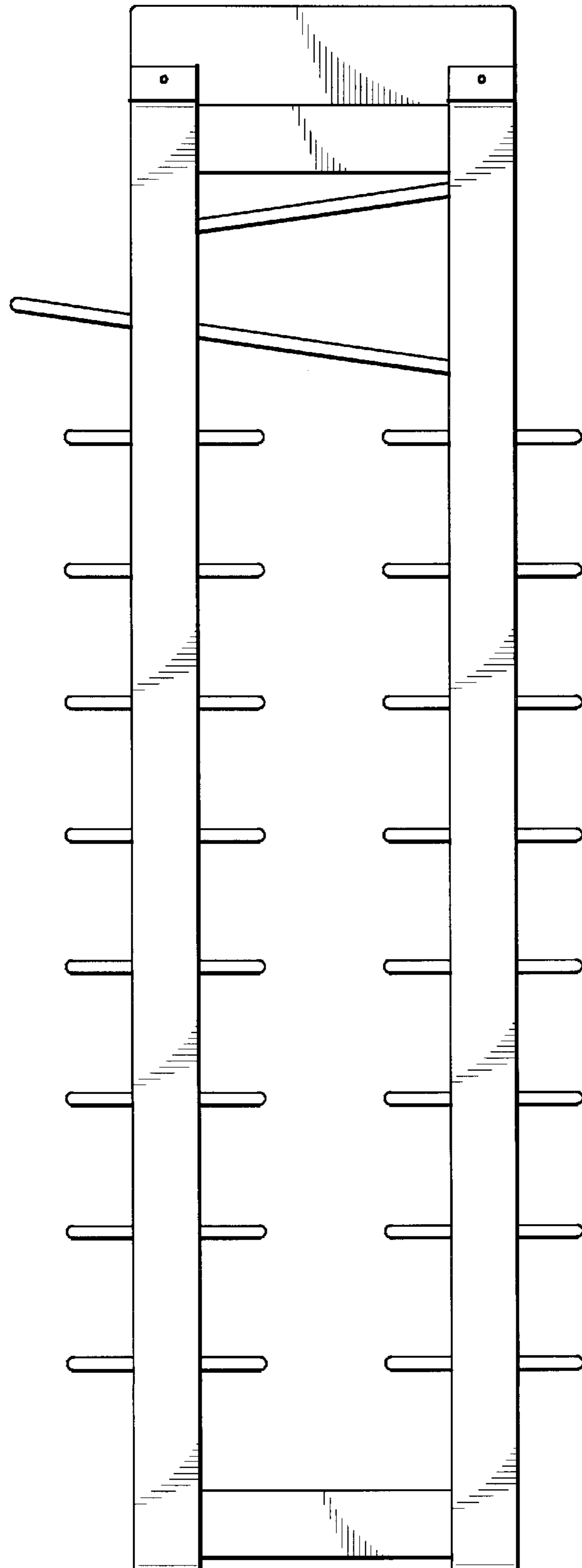


FIG. 10

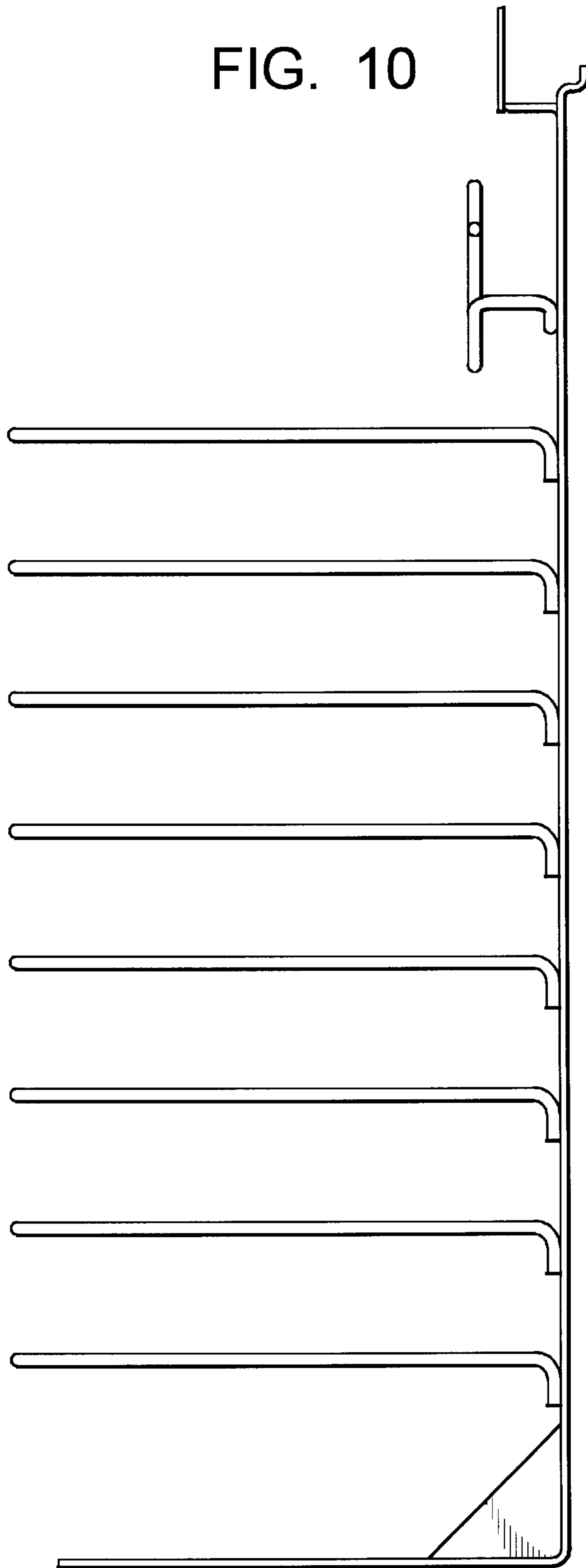


FIG. 11

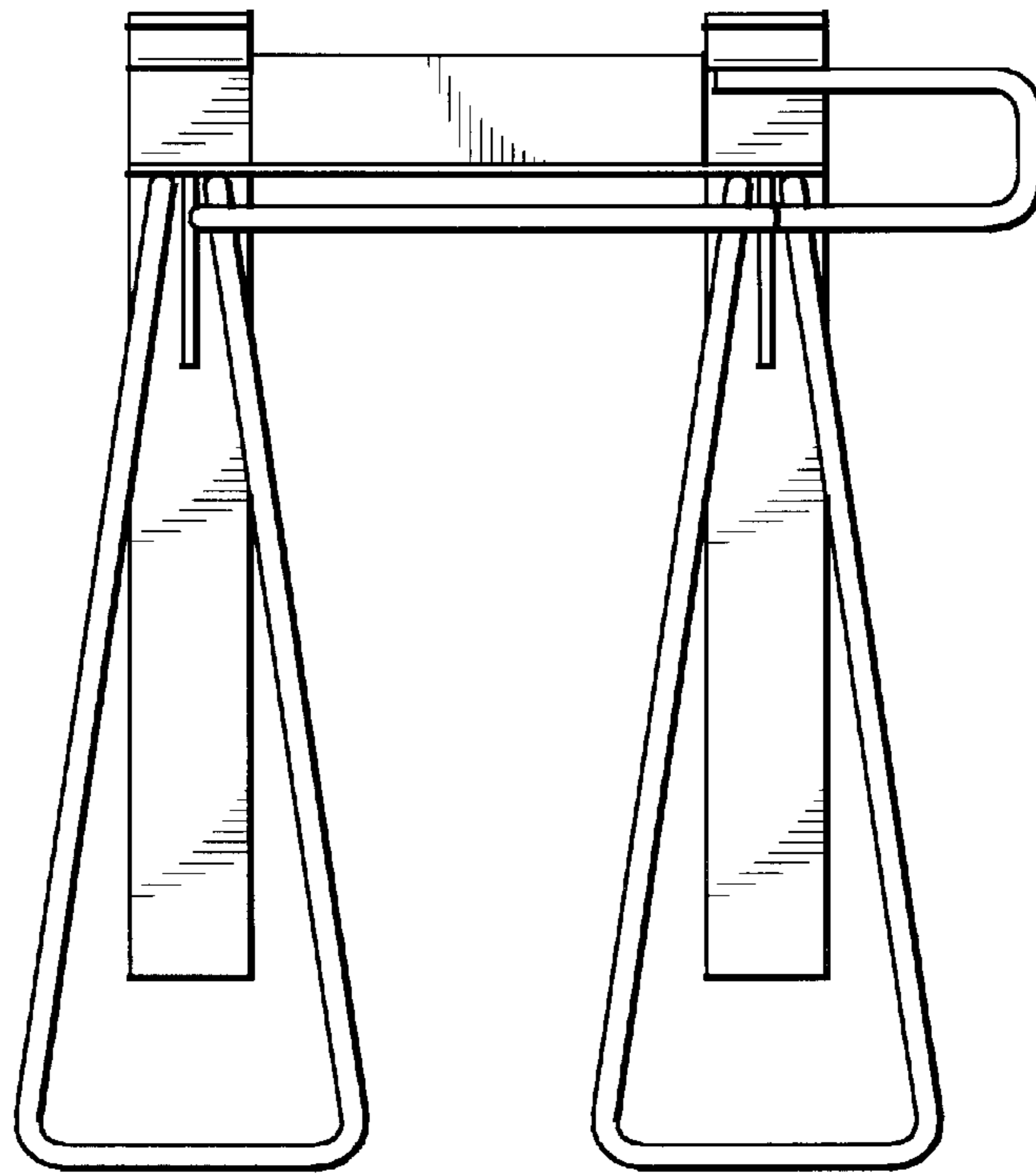


FIG. 12

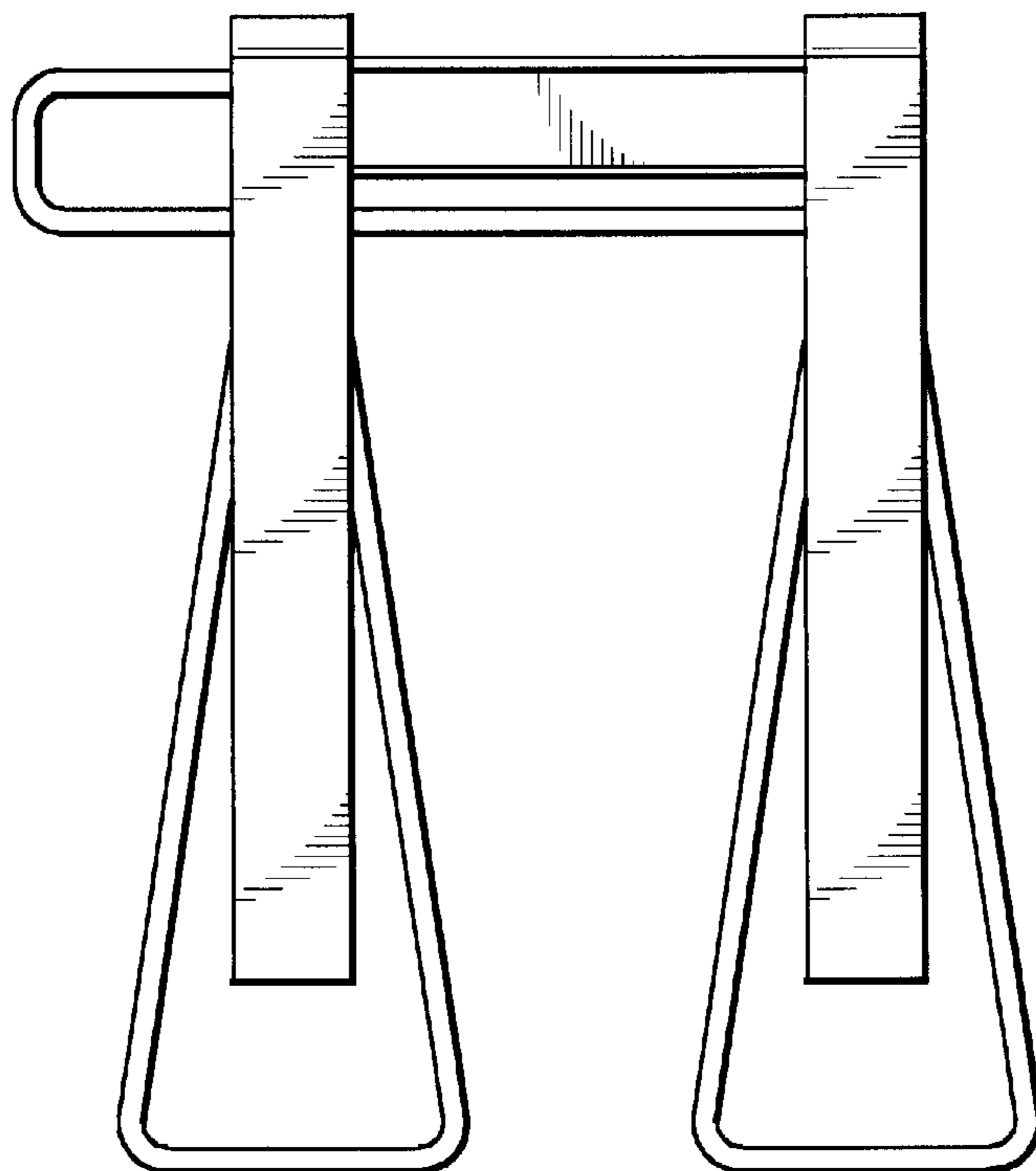


FIG. 13

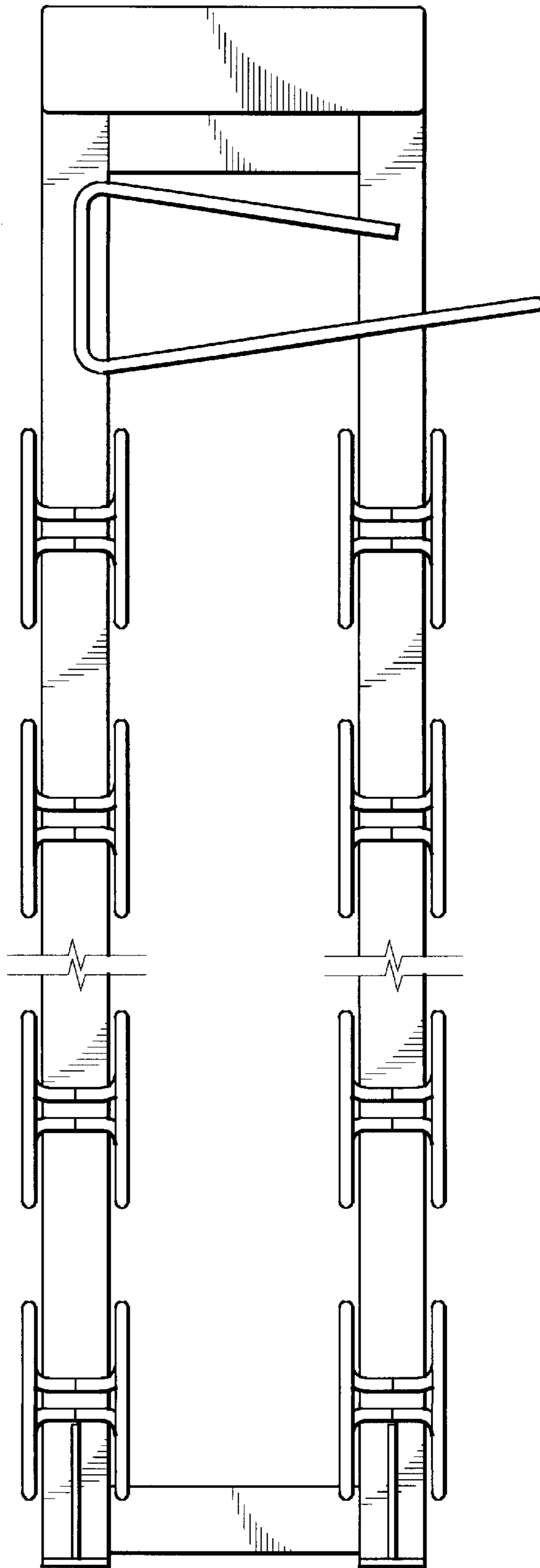


FIG. 14

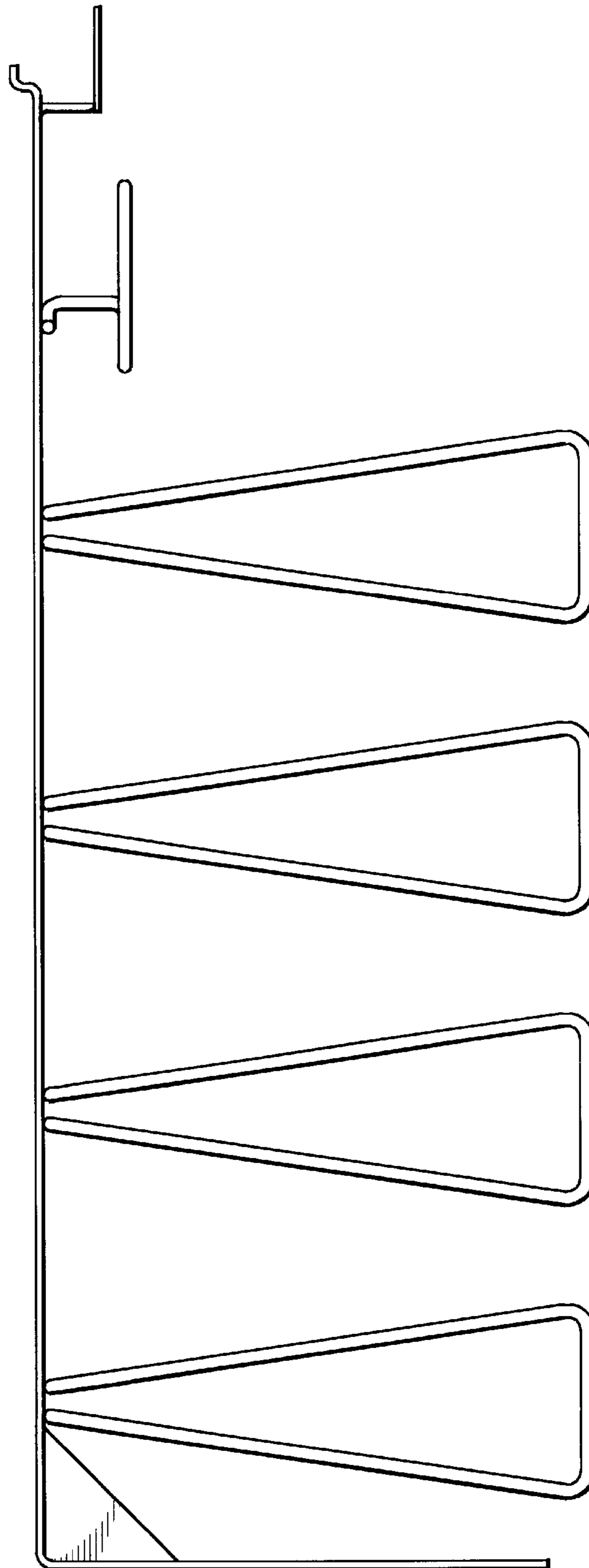


FIG. 15

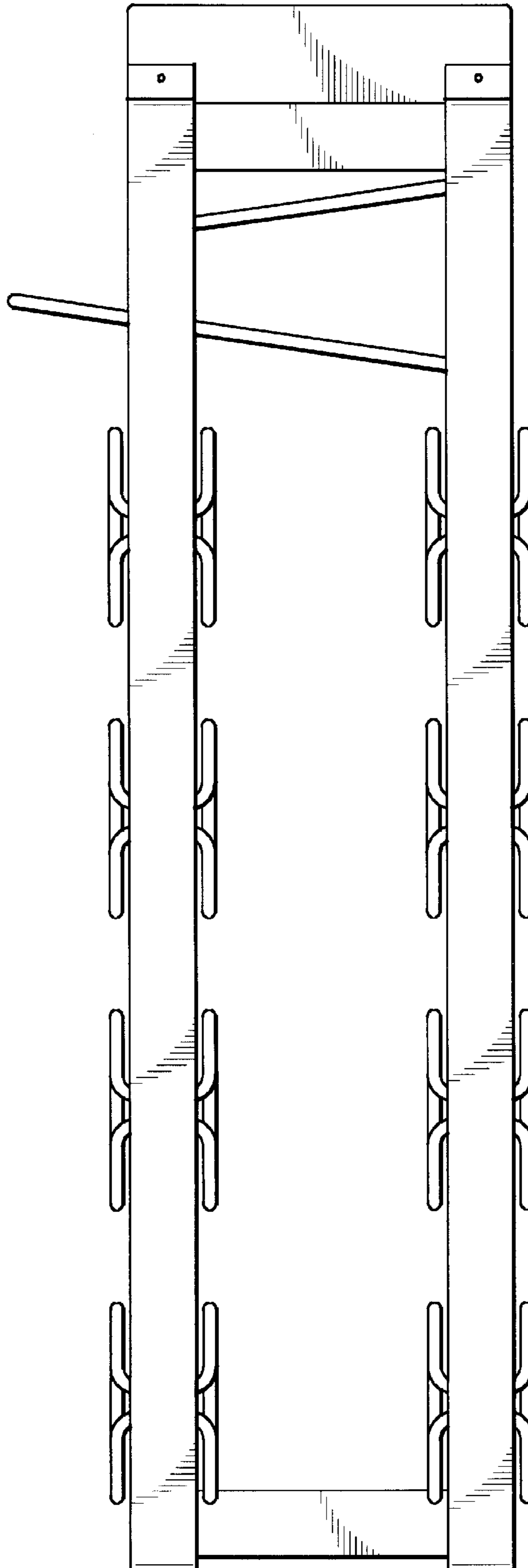


FIG. 16

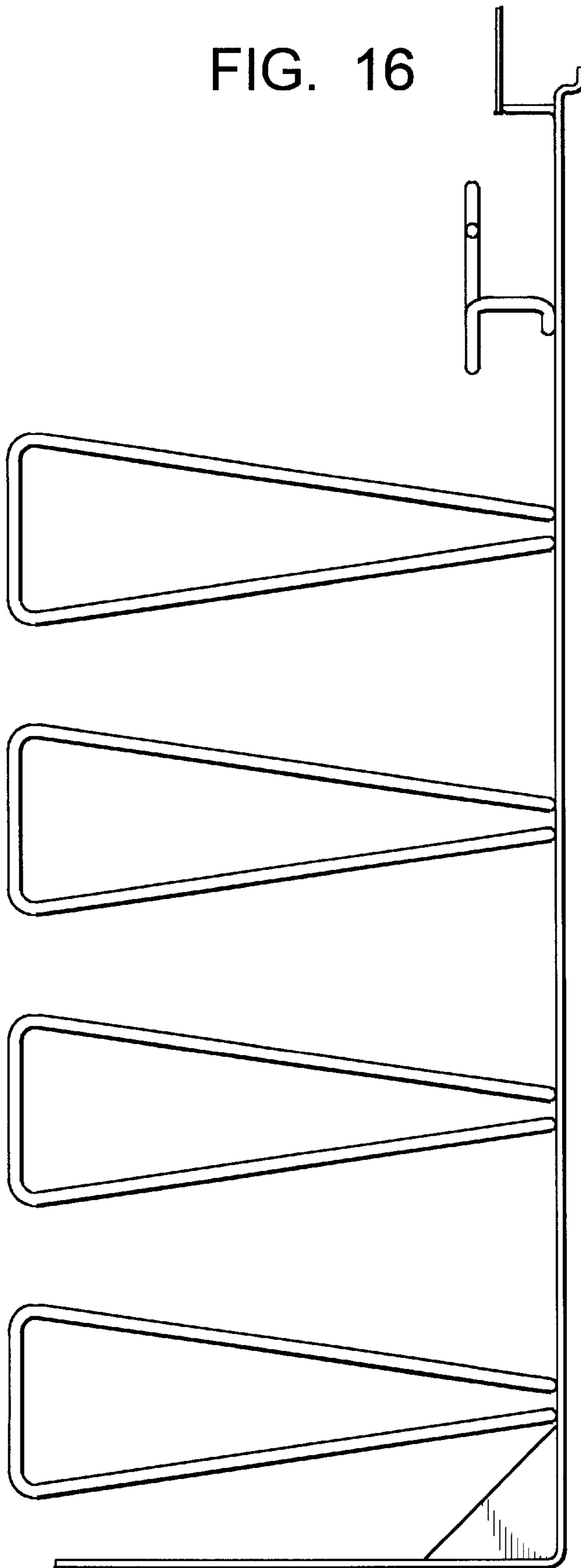


FIG. 17

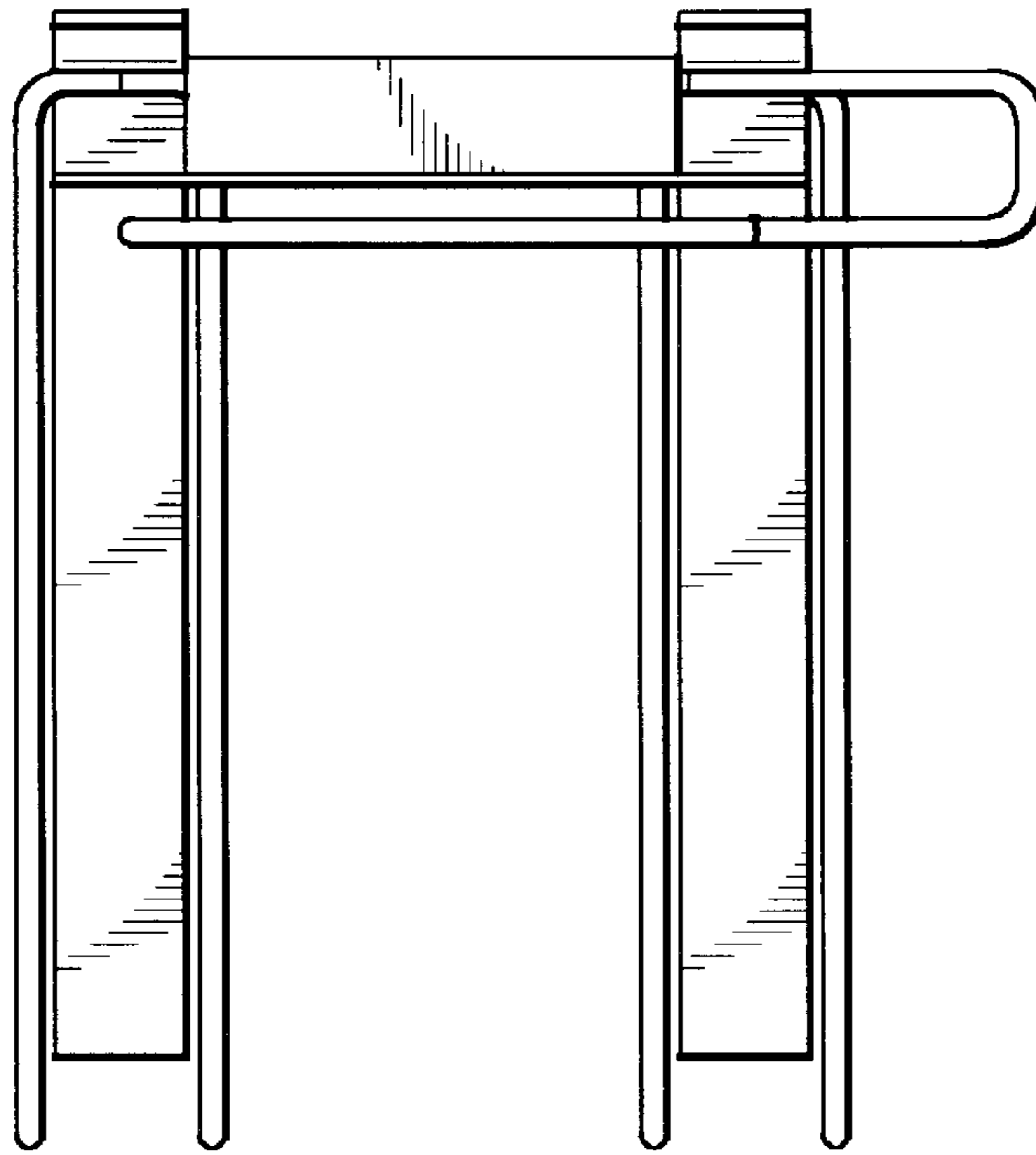


FIG. 18

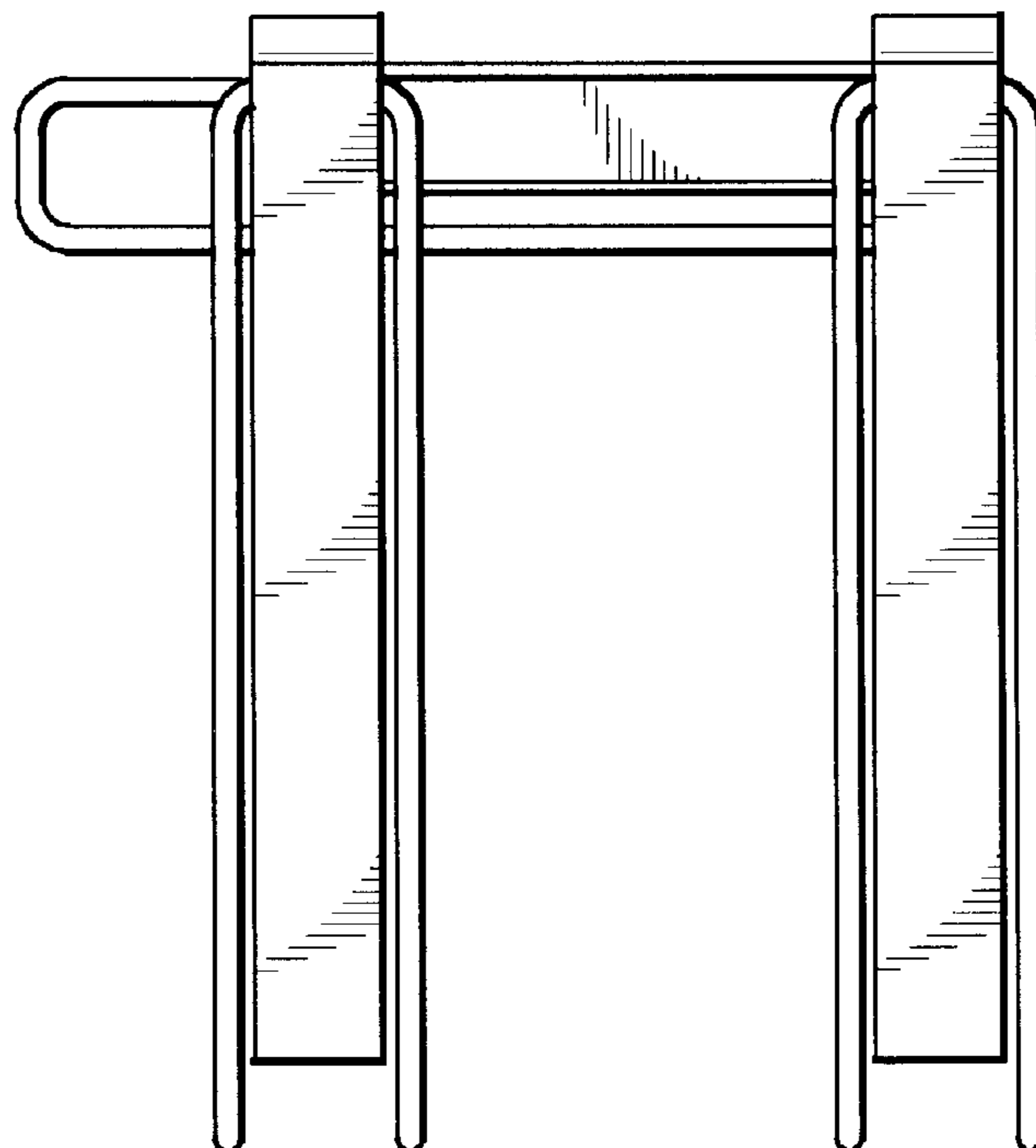


FIG. 19

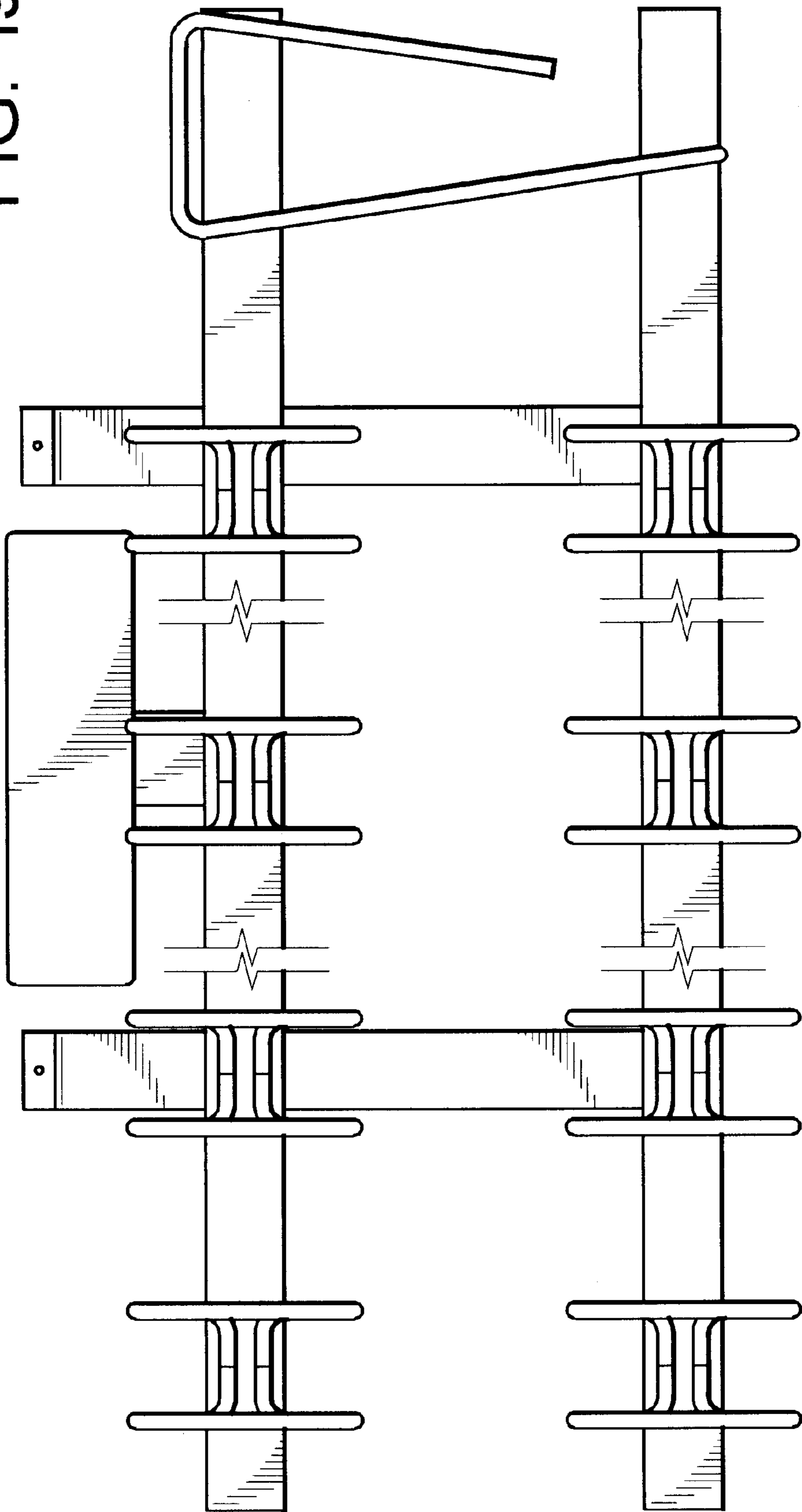


FIG. 20

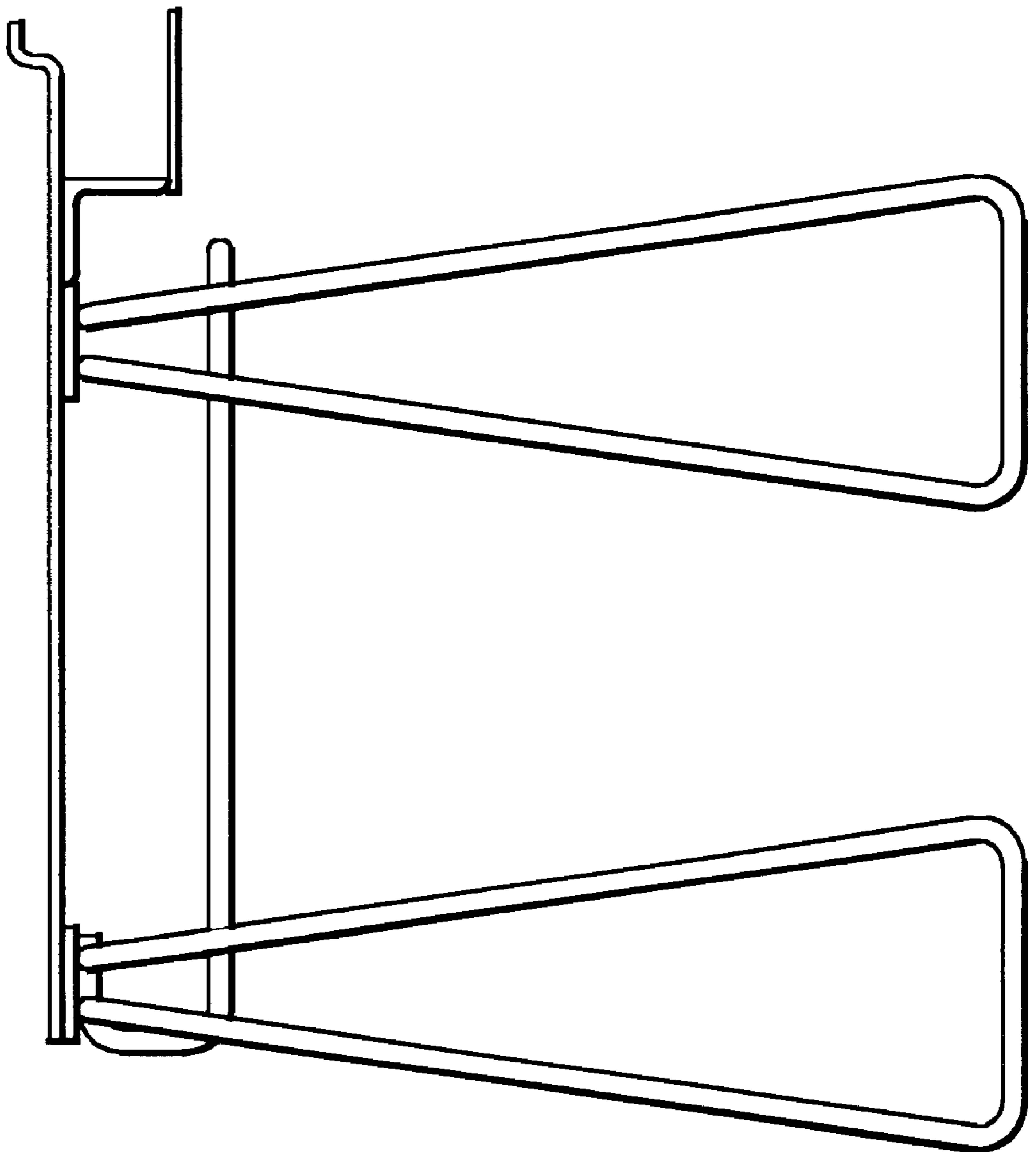


FIG. 21

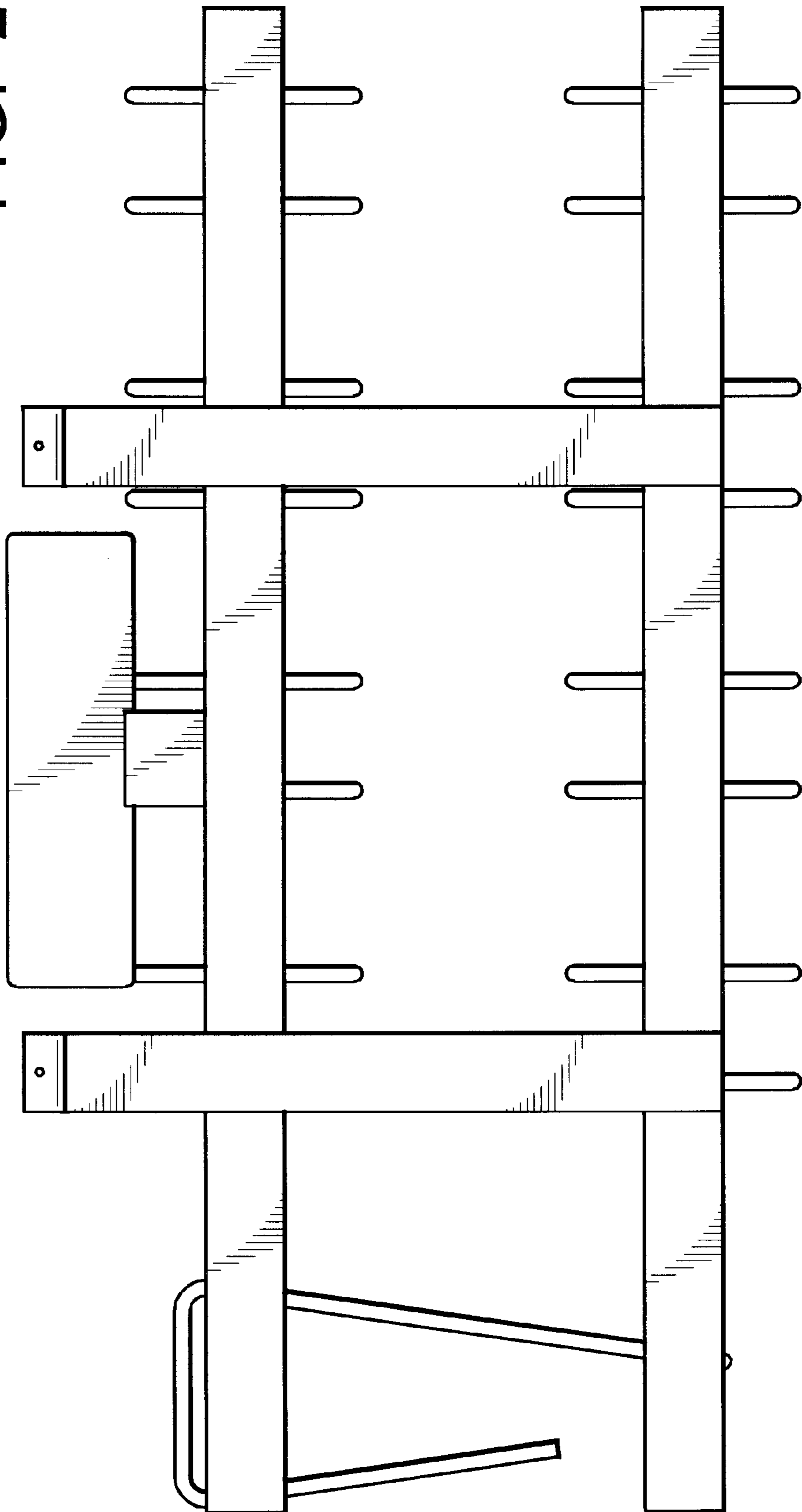


FIG. 22

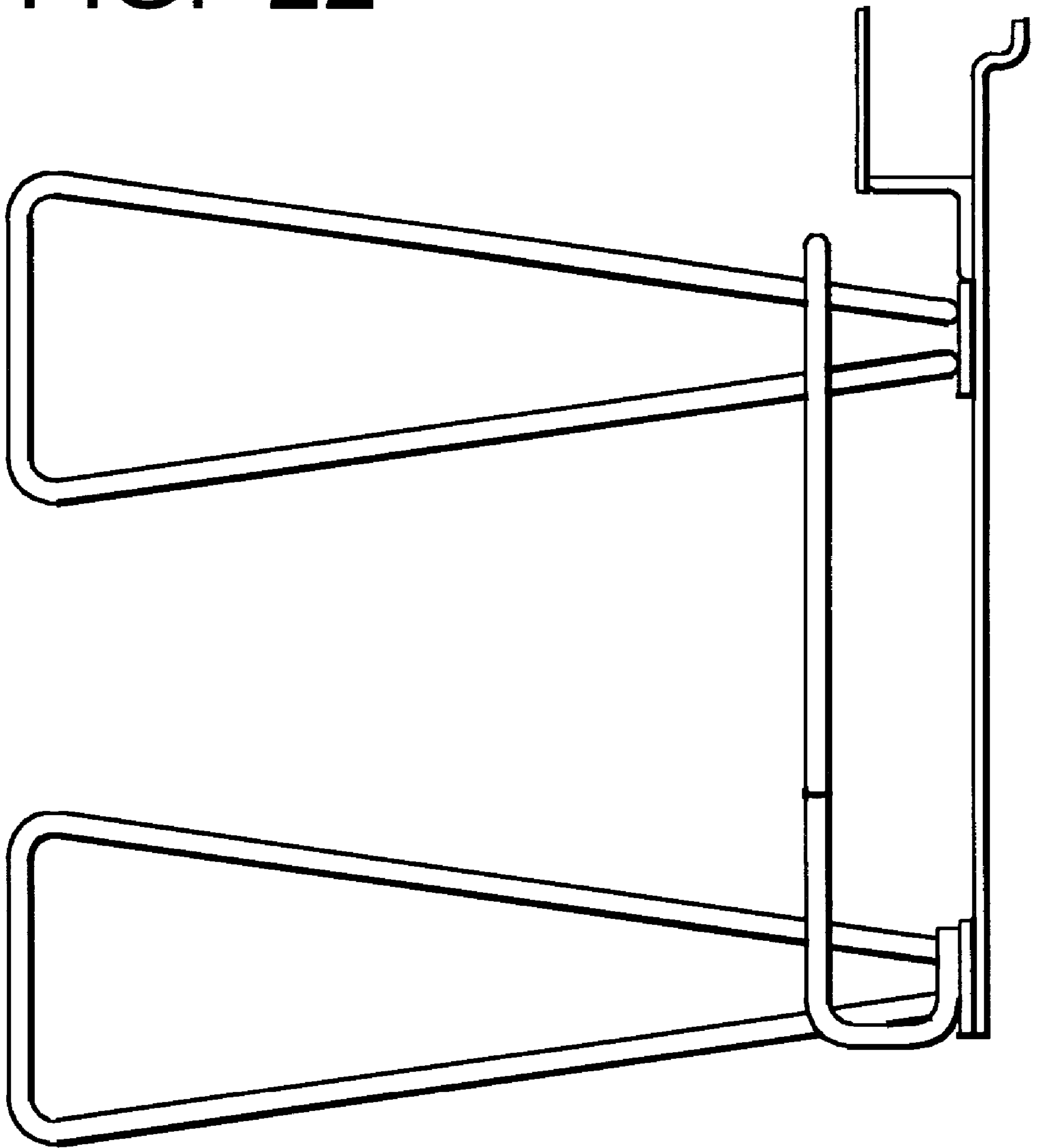


FIG. 23

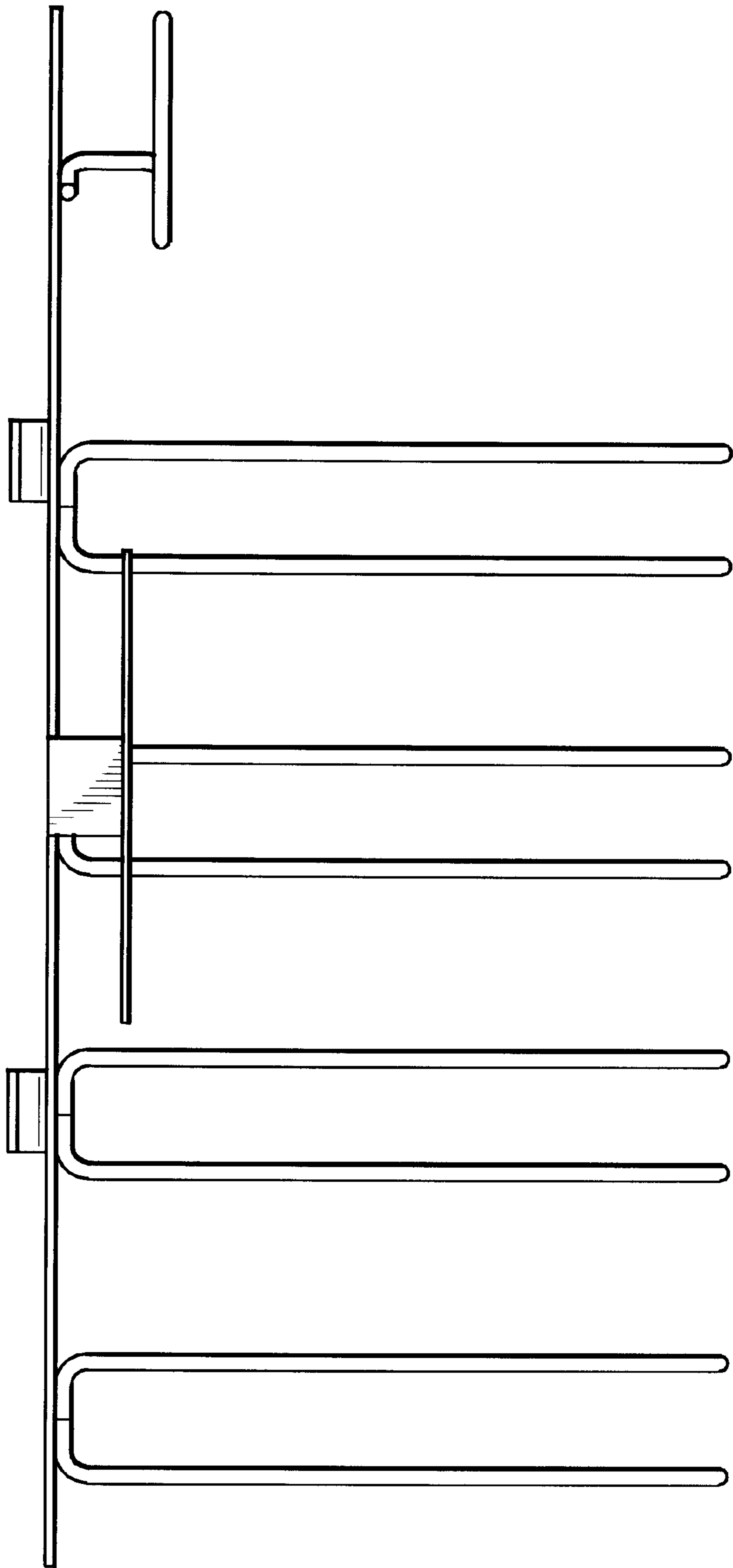


FIG. 24

