



US00D450474B1

(12) **United States Design Patent**
Sokoloff

(10) **Patent No.:** **US D450,474 S**

(45) **Date of Patent:** **** Nov. 20, 2001**

(54) **VERTICAL STAND WITH ROTATABLY MOUNTED GARMENT HANGER ARMS**

(76) Inventor: **Mark J. Sokoloff**, 4124 Kingman Blvd., Des Moines, IA (US) 50311

(**) Term: **14 Years**

(21) Appl. No.: **29/132,434**

(22) Filed: **Nov. 8, 2000**

Related U.S. Application Data

(63) Continuation-in-part of application No. 09/433,315, filed on Nov. 3, 1999, now abandoned.

(60) Provisional application No. 60/107,322, filed on Nov. 6, 1998.

(51) **LOC (7) Cl.** **06-99**

(52) **U.S. Cl.** **D6/415**

(58) **Field of Search** D6/396, 411-415,
D6/403-405; 211/163, 166, 196, 203-205;
47/39, 47

(56) **References Cited**

U.S. PATENT DOCUMENTS

88,739	4/1869	Reichenbach .	
D. 322,524	* 12/1991	Allen	D6/411
D. 361,444	* 8/1995	Egan	D6/411
D. 379,878	* 6/1997	Vassallo	D14/415

381,414	4/1888	Parker .	
D. 413,456	* 9/1999	Huang et al.	D6/412
904,758	11/1908	Cropp .	
2,613,931	10/1952	Singer	272/31
2,897,608	8/1959	Langendorf	35/56
3,092,258	6/1963	Bleed	211/163
3,132,747	* 5/1964	Duyne	211/205
3,202,297	* 8/1965	Hardy	211/163
3,844,230	10/1974	Hudson et al.	108/60
4,289,246	9/1981	Scott	211/205
4,399,172	8/1983	DeCosmo	428/8
5,178,286	1/1993	Allison, III	211/71
5,458,249	10/1995	Shang-Lu	211/197

* cited by examiner

Primary Examiner—Nanda Bondade

(74) *Attorney, Agent, or Firm*—Zarley, McKee, Thomte, Voorhees & Sease

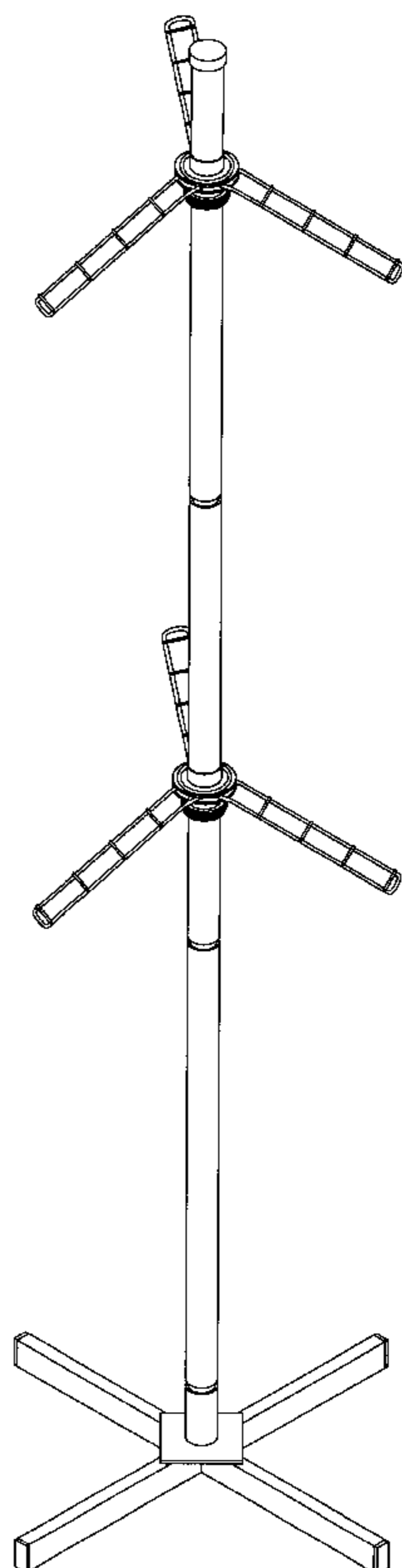
(57) **CLAIM**

The ornamental design for a vertical stand with rotatably mounted garment hanger arms, as shown and described.

DESCRIPTION

FIG. 1 is a perspective view of a vertical stand with rotatably mounted garment hanger arms showing my new design; FIG. 2 is a side elevational view thereof; and, FIG. 3 is a large scale top plan view thereof. The bottom plan view is devoid of ornamentation.

1 Claim, 3 Drawing Sheets



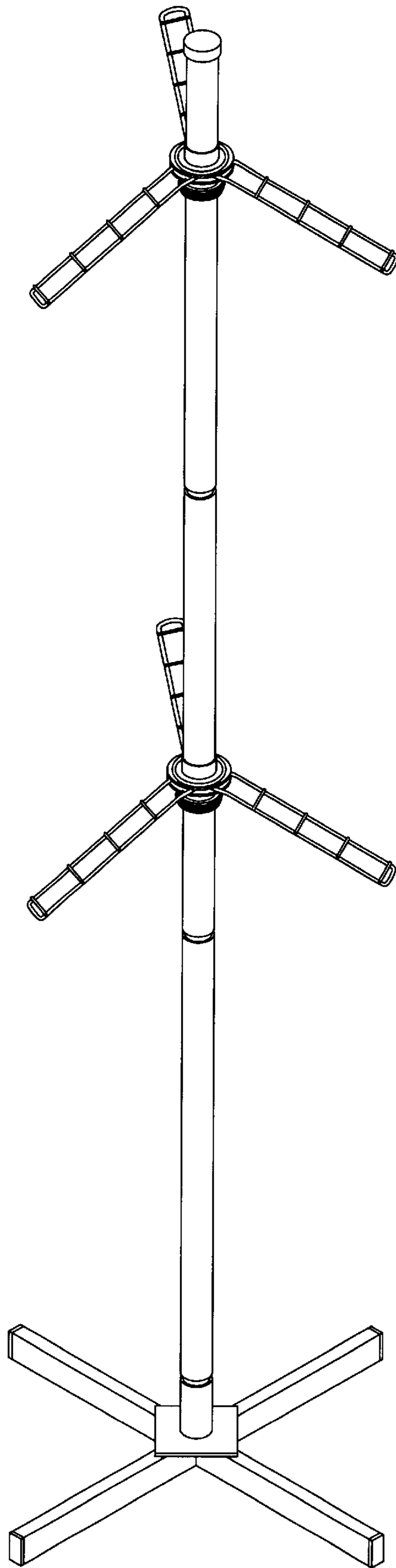


Fig. 1

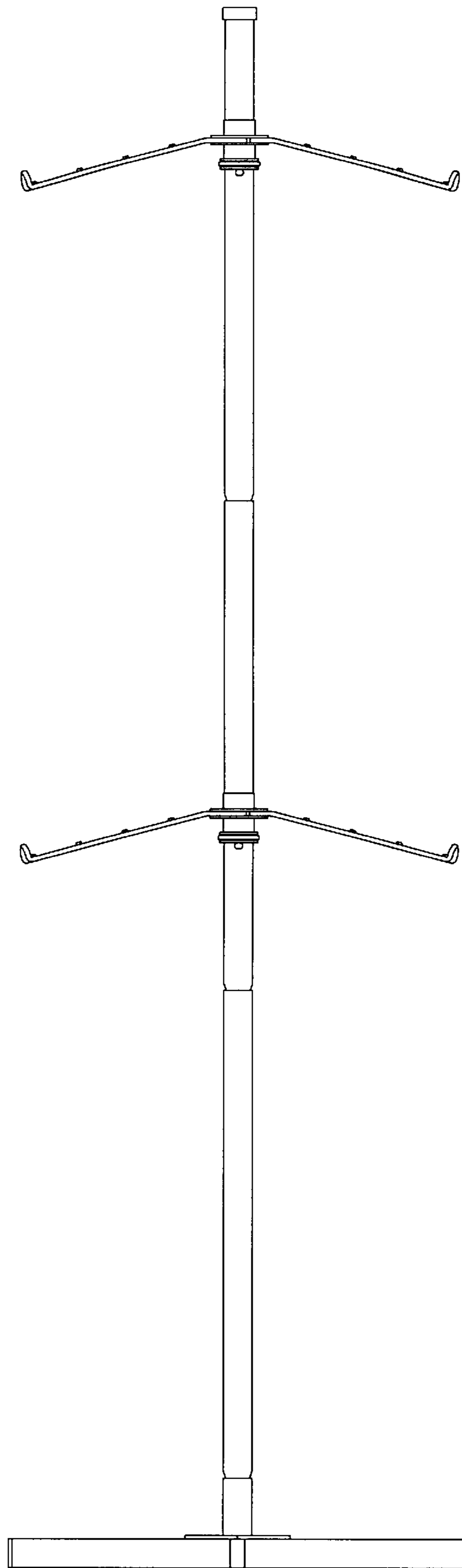


Fig. 2

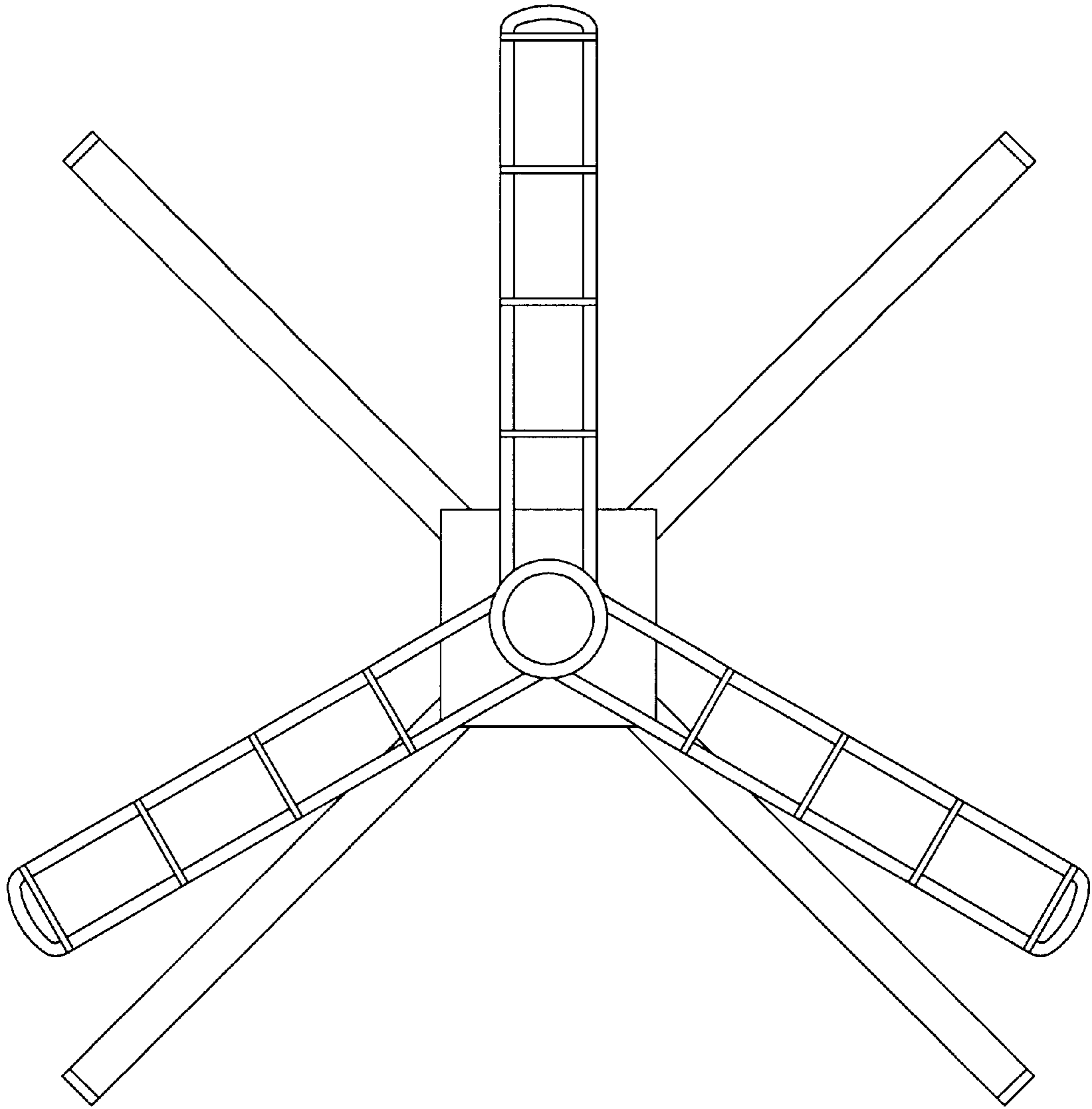


Fig. 3