



US00D450469B1

(12) **United States Design Patent**
Liu

(10) **Patent No.:** **US D450,469 S**

(45) **Date of Patent:** **** Nov. 20, 2001**

(54) **LEISURE CHAIR**

4,105,244 * 8/1978 Colby D6/368 X

(76) Inventor: **Lausan Chung-Hsin Liu**, No. 243,
Chien-Kuo Rd., Hsin-Tien City, Taipei
Hsien (TW)

* cited by examiner

Primary Examiner—Gary D. Watson

(74) *Attorney, Agent, or Firm*—Bacon & Thomas, PLLC

(**) Term: **14 Years**

(57) **CLAIM**

(21) Appl. No.: **29/139,568**

The ornamental design for leisure chair, as shown and described.

(22) Filed: **Apr. 3, 2001**

DESCRIPTION

(51) **LOC (7) Cl.** **06-01**

(52) **U.S. Cl.** **D6/379; D6/368**

(58) **Field of Search** D6/334, 335, 368,
D6/374, 379, 380, 500, 501, 502; 297/42,
45, 445.1, 446.1

FIG. 1 is a perspective view of leisure chair showing my new design thereof;

FIG. 2 is a right side elevational view thereof;

FIG. 3 is a top plan view thereof;

FIG. 4 is a front elevational view thereof;

FIG. 5 is a bottom plan view thereof;

FIG. 6 is a left side elevational view thereof; and,

FIG. 7 is a rear elevational view thereof.

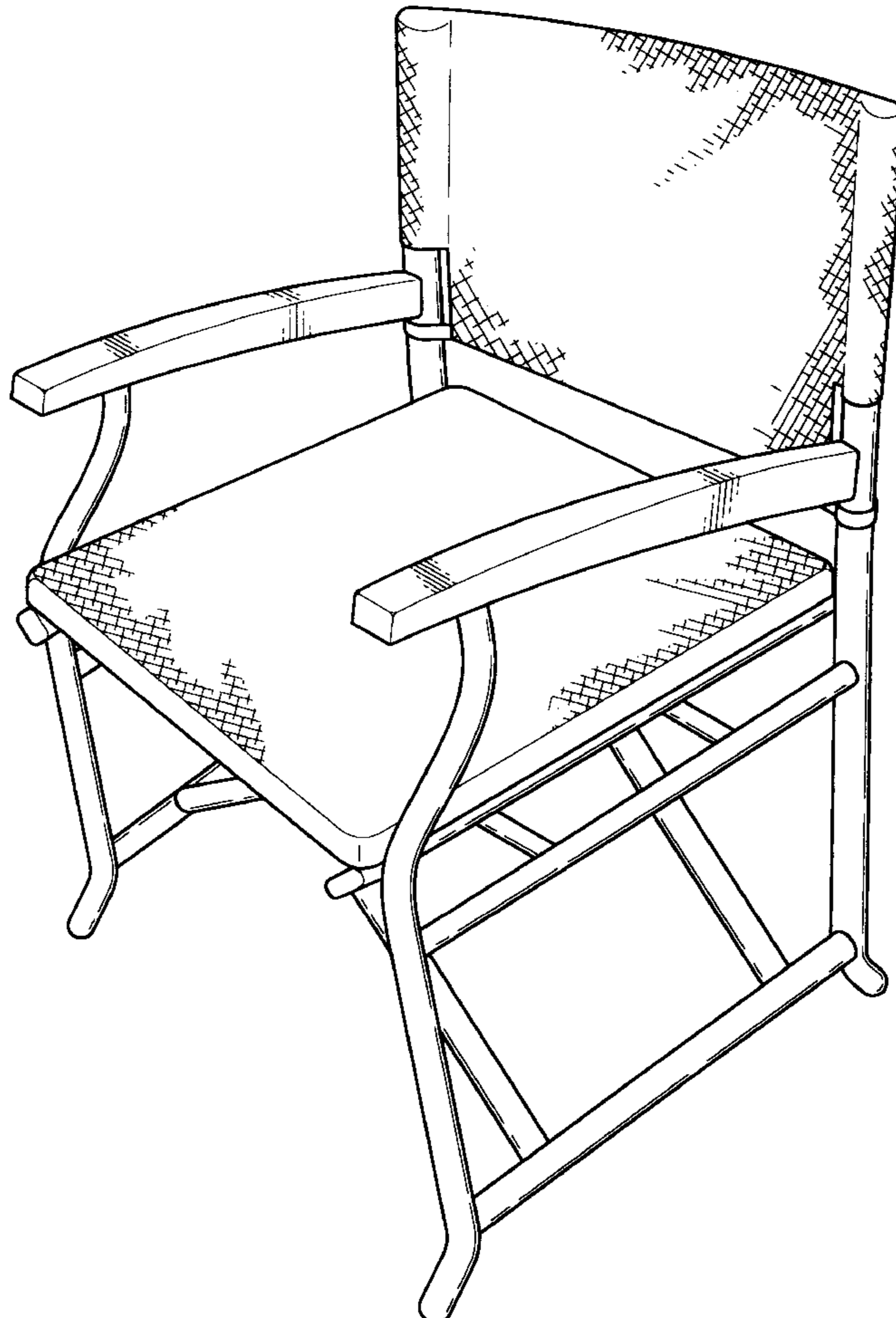
The fragmented cross-hatching shown on the seat and backrest members is understood to represent fabric and would be continuous throughout the circumscribed area.

(56) **References Cited**

U.S. PATENT DOCUMENTS

D. 256,972	*	9/1980	Cassina	D6/374
D. 279,336	*	6/1985	Duncan	D6/368
D. 333,750	*	3/1993	Hess	D6/500
1,898,834	*	2/1933	Hayes	297/42
4,065,173	*	12/1977	Gittings	297/45

1 Claim, 7 Drawing Sheets



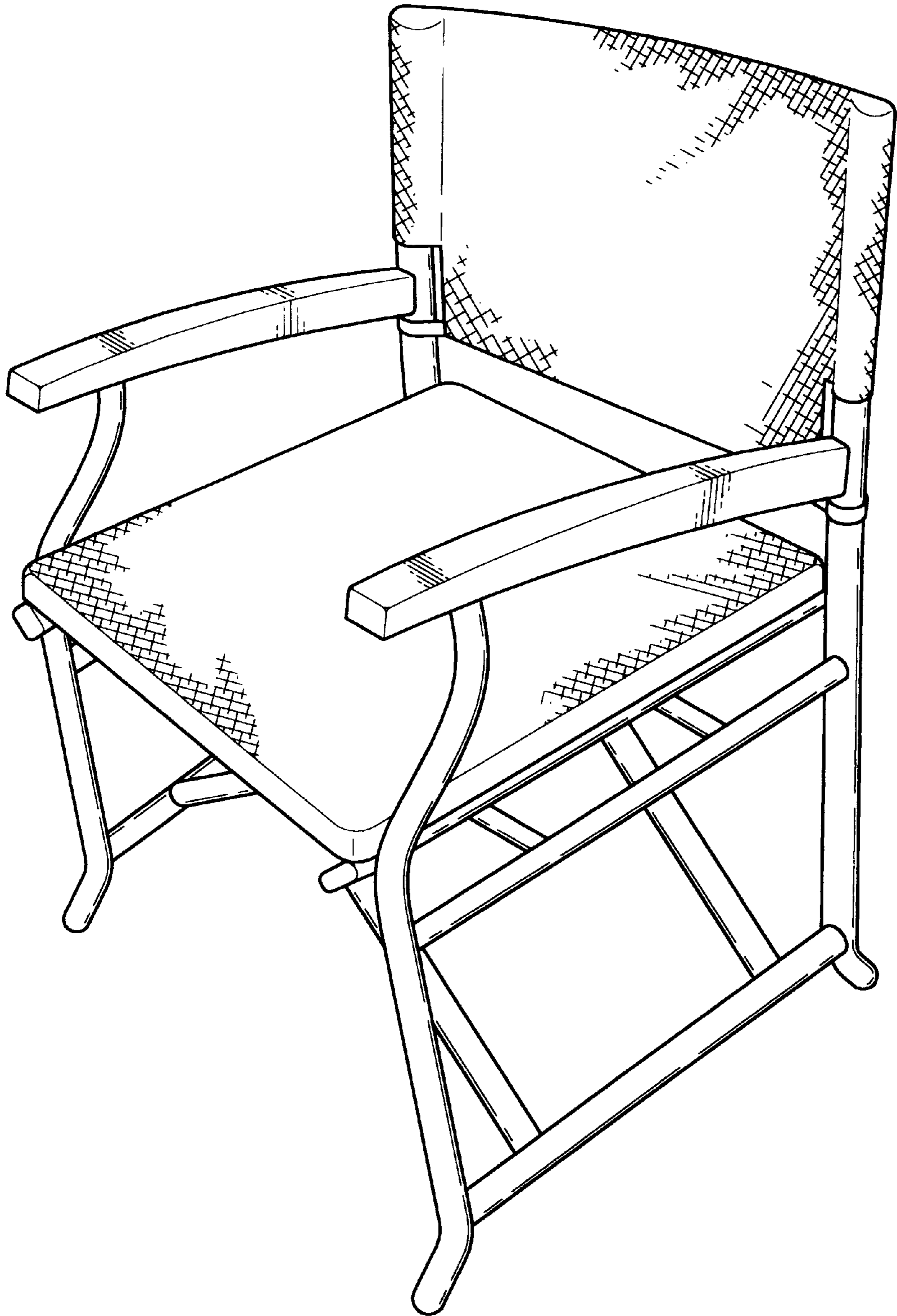


Fig. 1

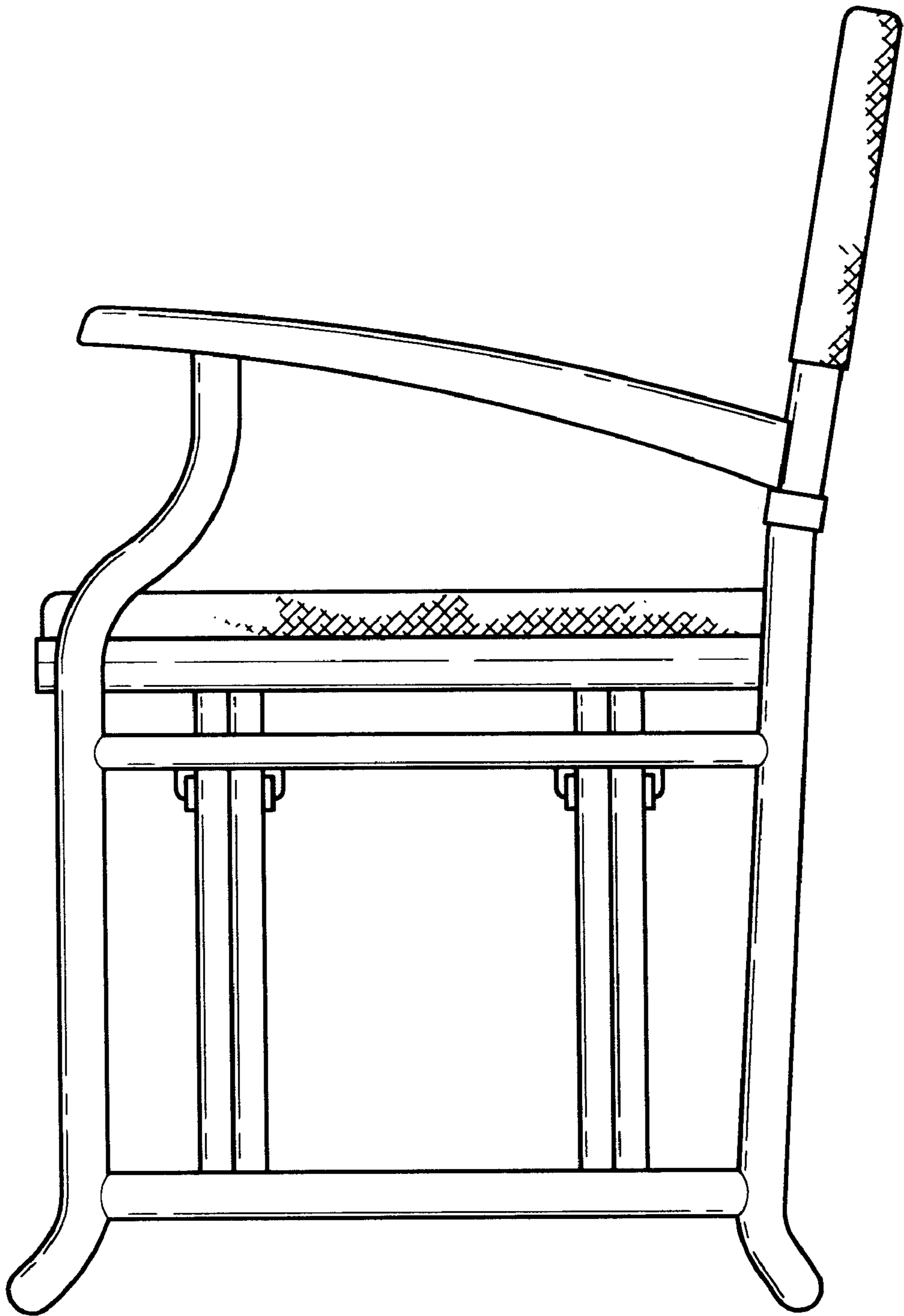


Fig. 2

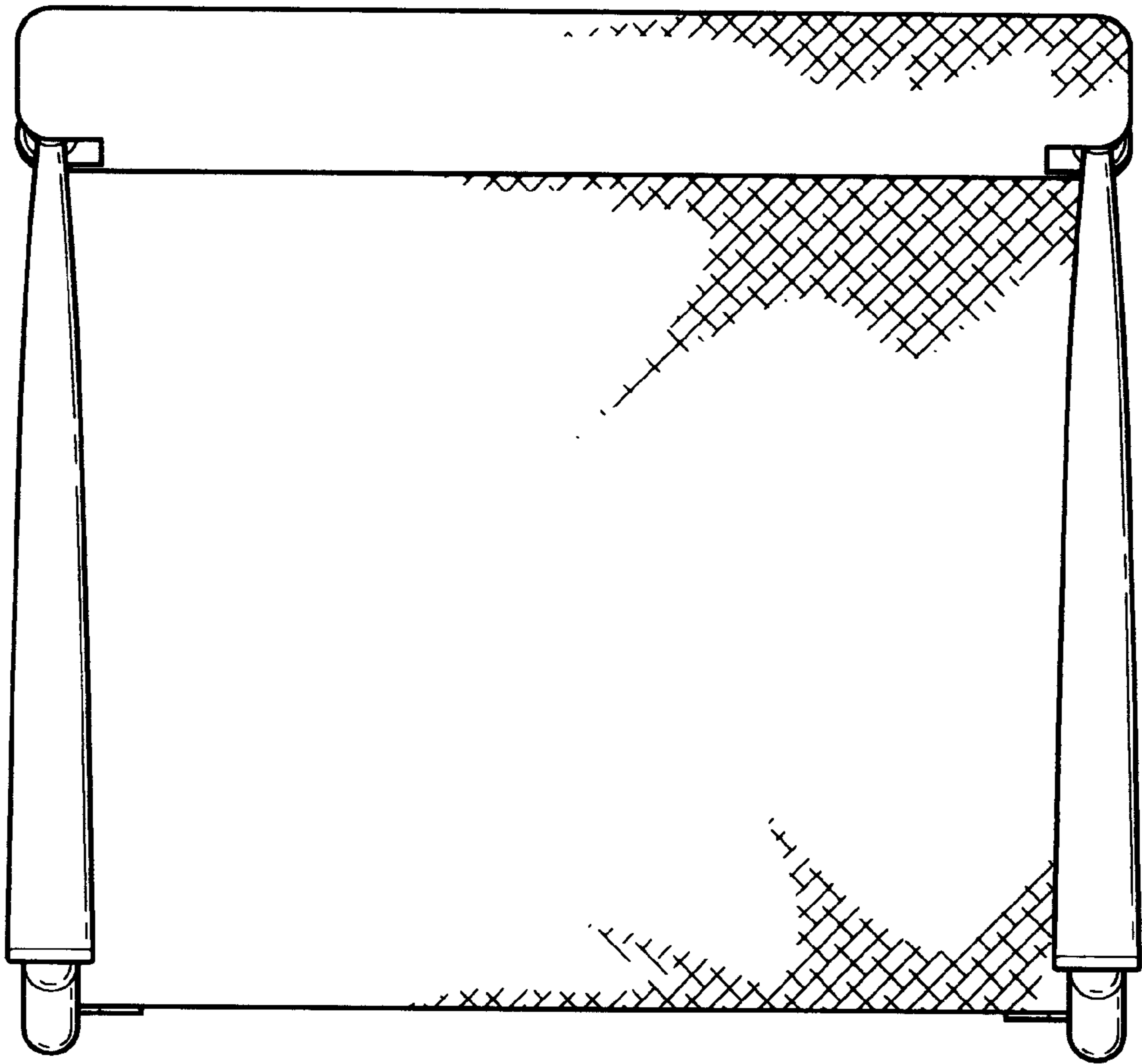


Fig. 3

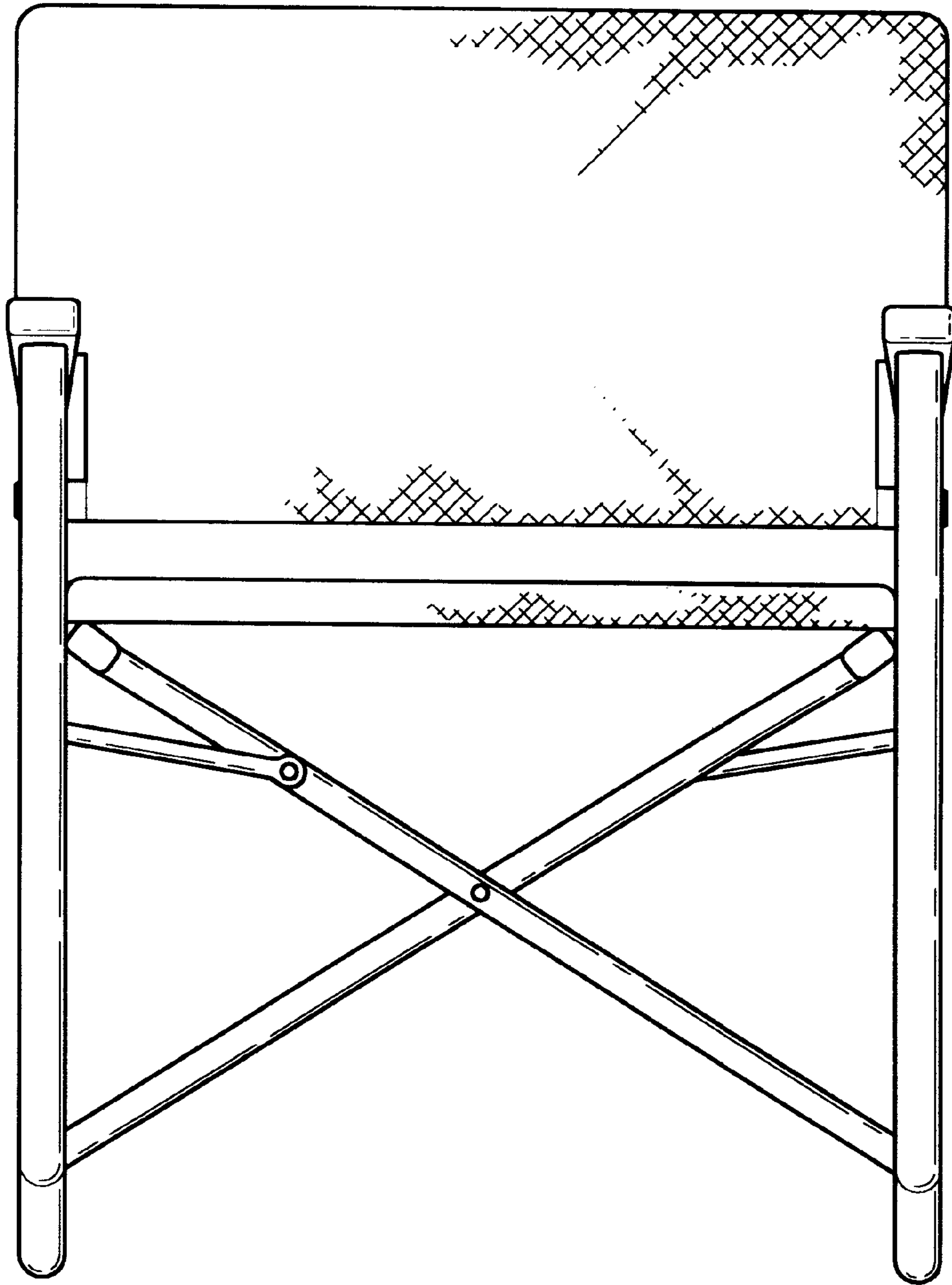


Fig.4

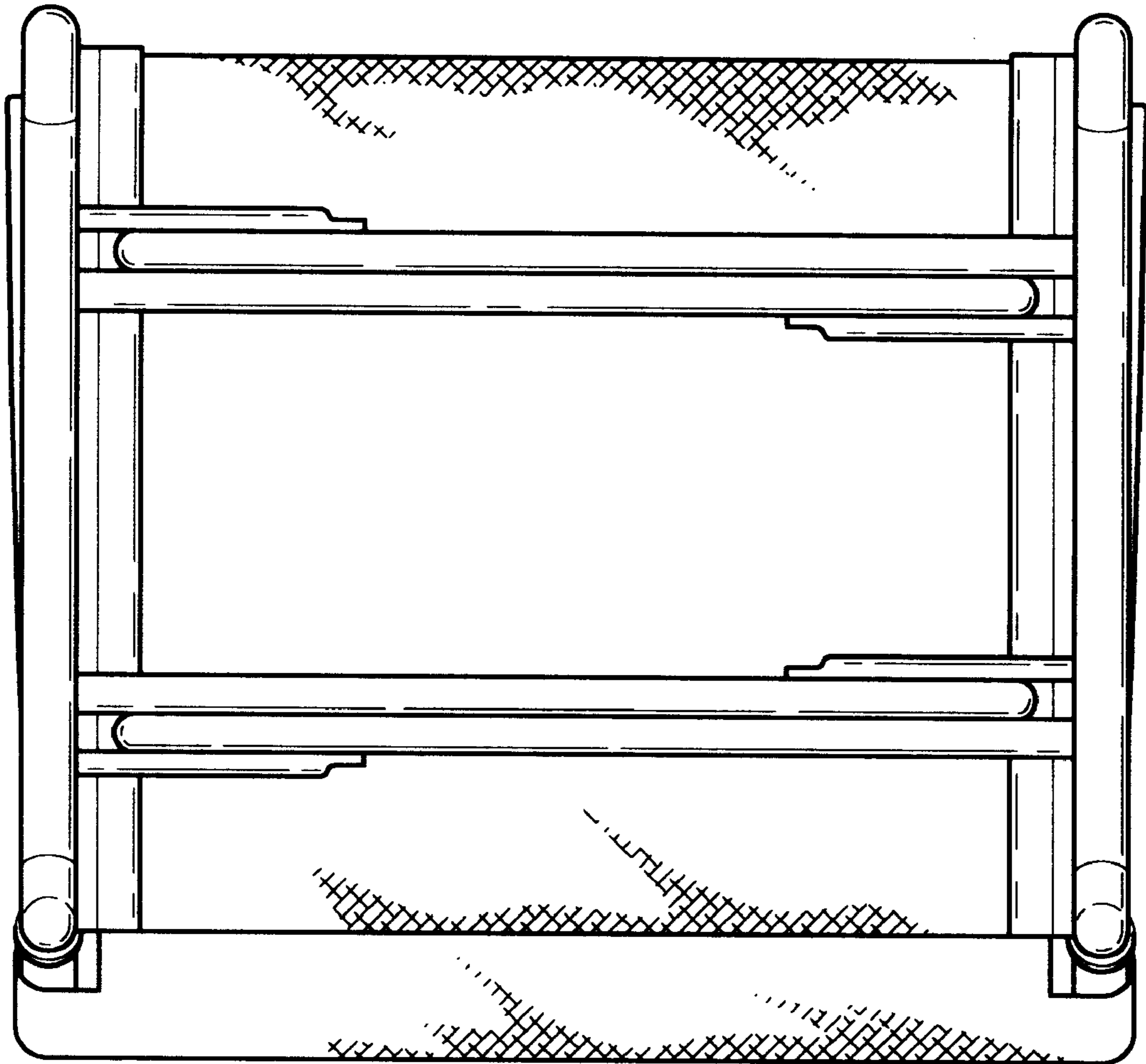


Fig. 5

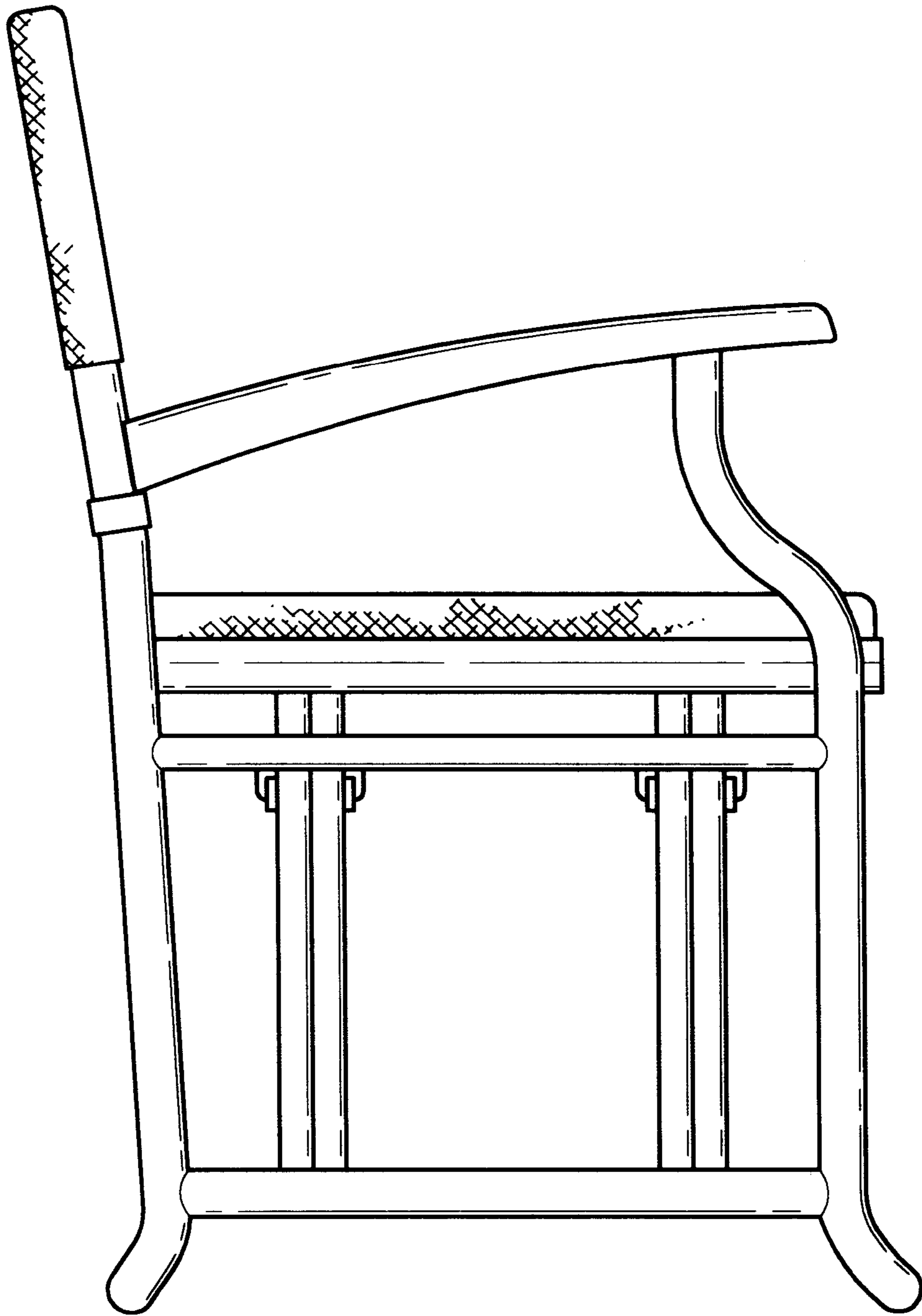


Fig. 6

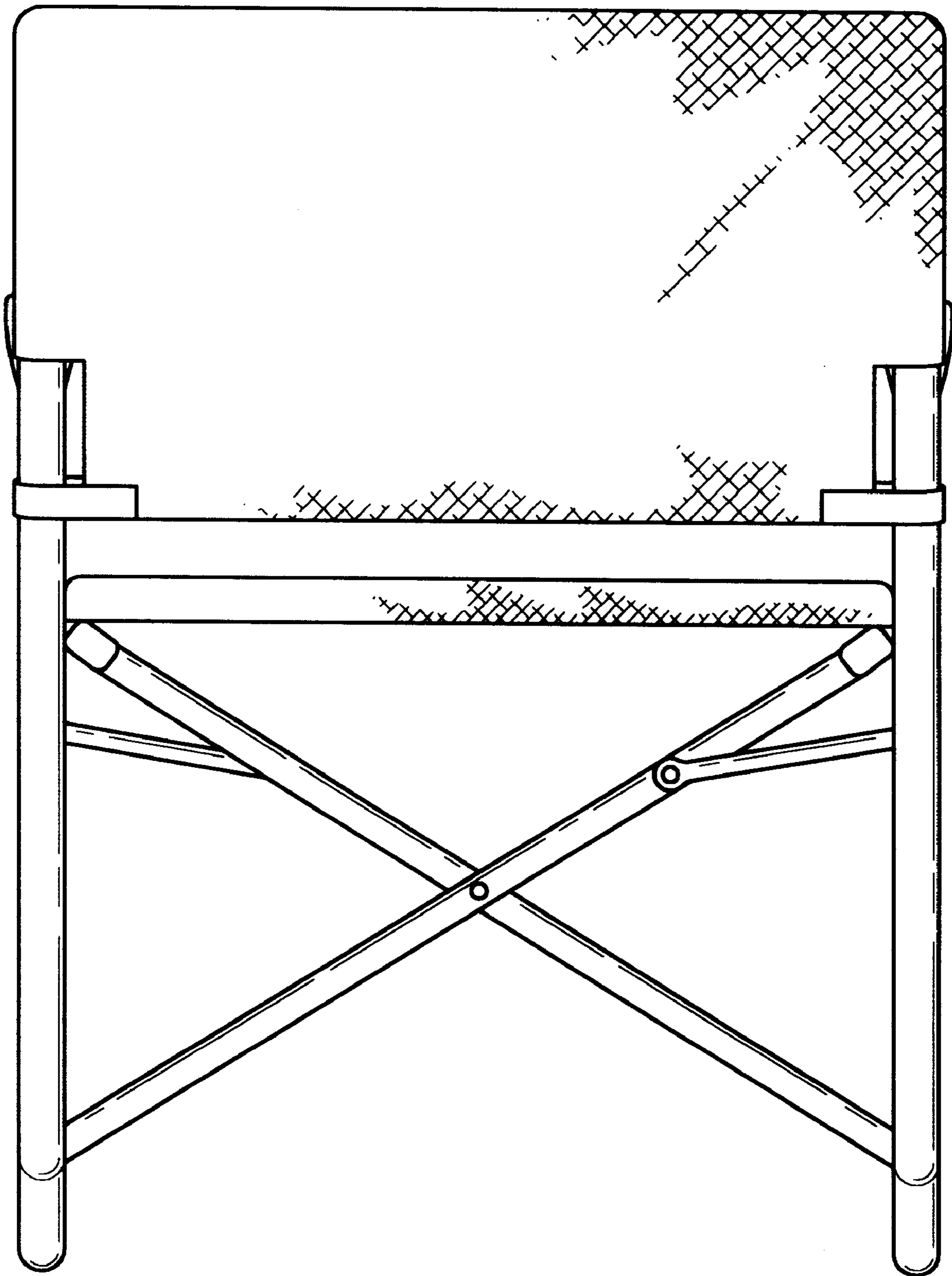


Fig. 7