



US00D450467B1

(12) **United States Design Patent**
Tseng

(10) **Patent No.:** **US D450,467 S**

(45) **Date of Patent:** **** Nov. 20, 2001**

(54) **CHAIR**

D. 380,311 * 7/1997 Diaz-Azcuy D6/369
D. 422,157 * 4/2000 Lin D6/370

(75) Inventor: **Chuen-Jong Tseng**, Chiayi Hsien (TW)

* cited by examiner

(73) Assignee: **Shin Yeh Enterprise Co., Ltd.**, Chiayi Hsien (TW)

Primary Examiner—Gary D. Watson
(74) *Attorney, Agent, or Firm*—Ladas & Parry

(**) Term: **14 Years**

(57) **CLAIM**

(21) Appl. No.: **29/139,724**

The ornamental design for chair, as shown and described.

(22) Filed: **Apr. 4, 2001**

DESCRIPTION

(51) **LOC (7) Cl.** **06-01**

(52) **U.S. Cl.** **D6/369**

(58) **Field of Search** D6/334, 358, 369,
D6/370, 374, 376, 379, 380, 500, 501,
502; 297/446.1, 451.9, 452.64

FIG. 1 is a perspective view of chair showing my new design;

FIG. 2 is a front elevational view thereof;

FIG. 3 is a rear elevational view thereof;

FIG. 4 is a left side elevational view thereof;

FIG. 5 is a right side elevational view thereof;

FIG. 6 is a top plan view thereof; and,

FIG. 7 is a bottom plan view thereof.

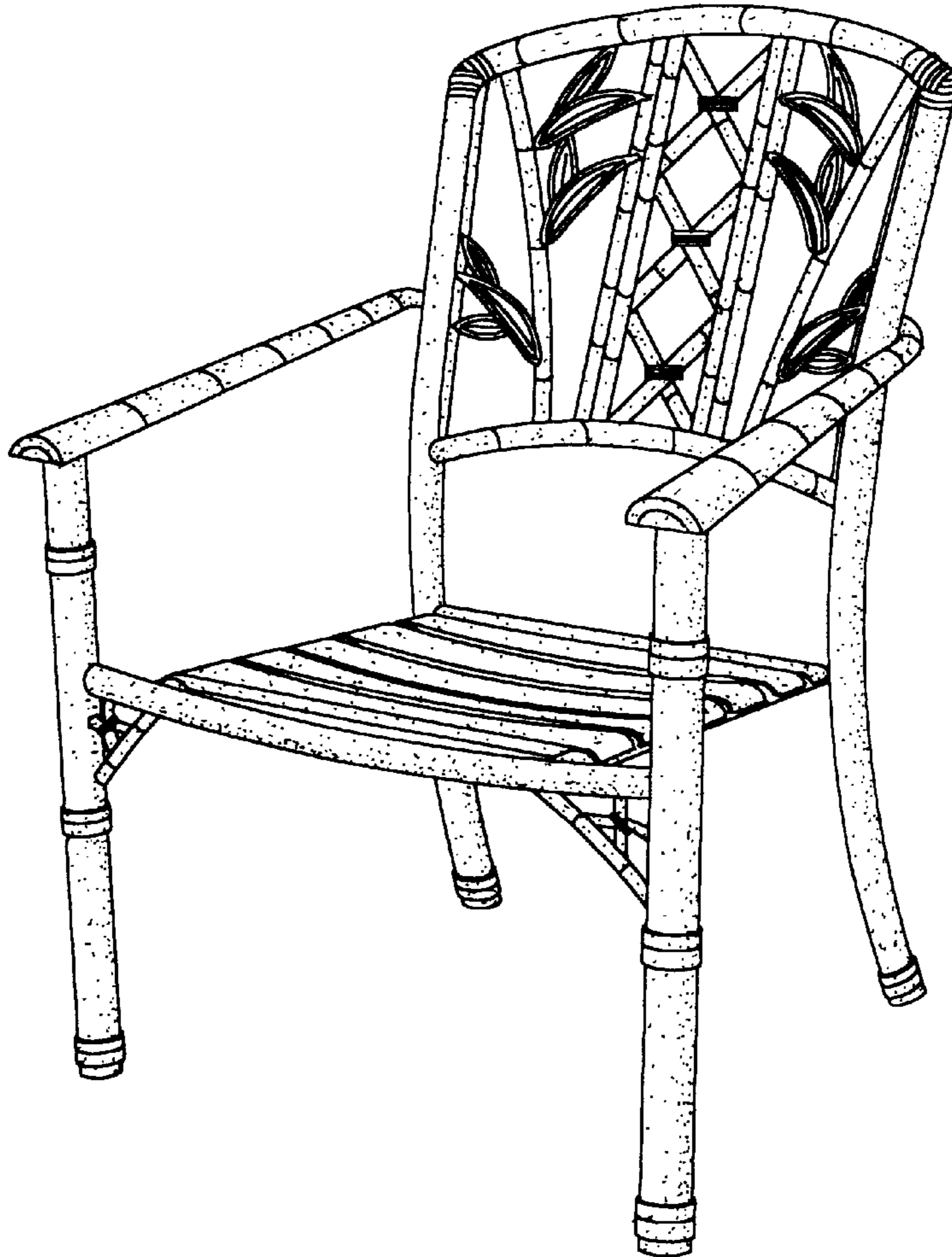
(56) **References Cited**

U.S. PATENT DOCUMENTS

D. 181,011 * 9/1957 Lubberts et al. D6/369

D. 276,671 * 12/1984 Welsh D6/369

1 Claim, 4 Drawing Sheets



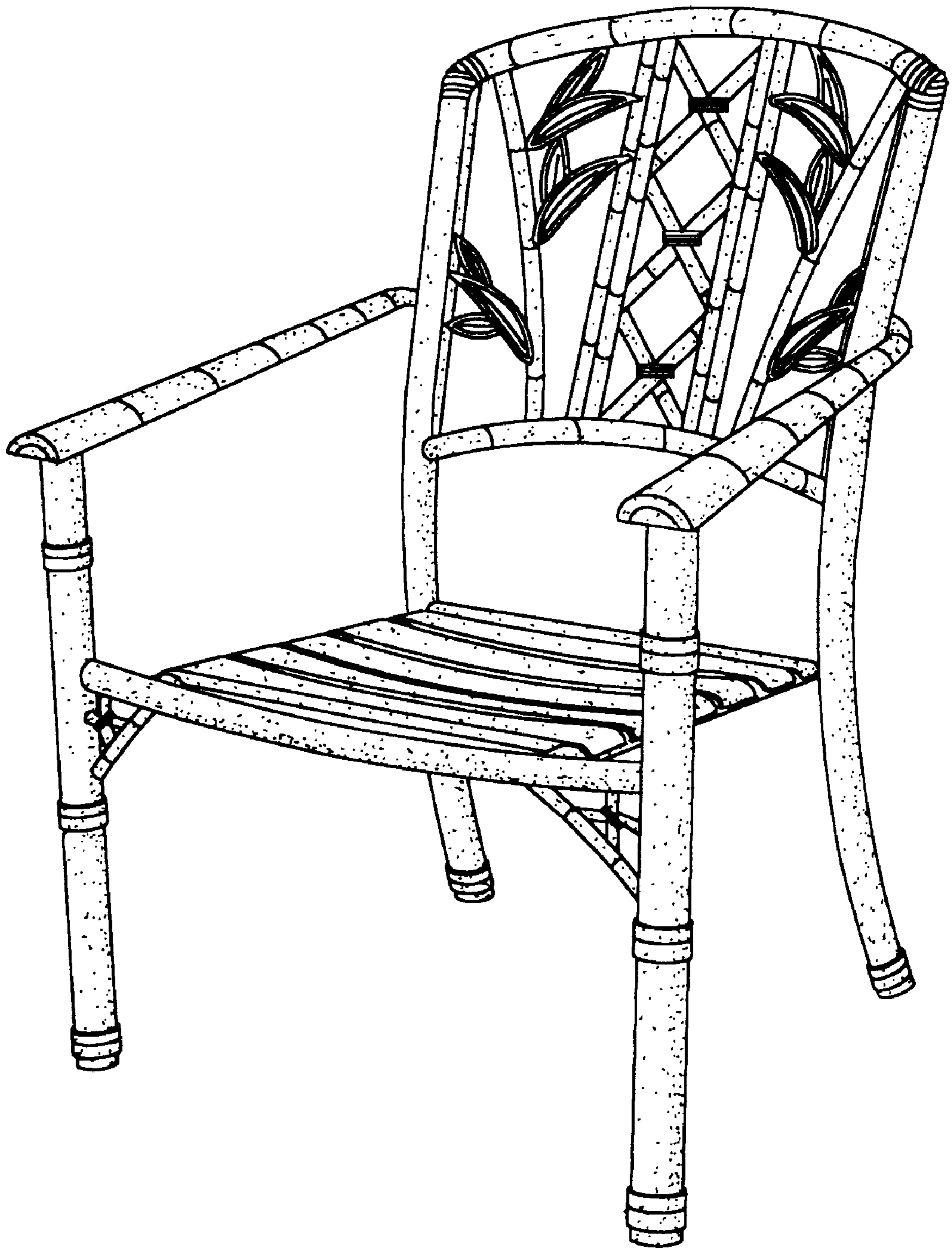


FIG. 1

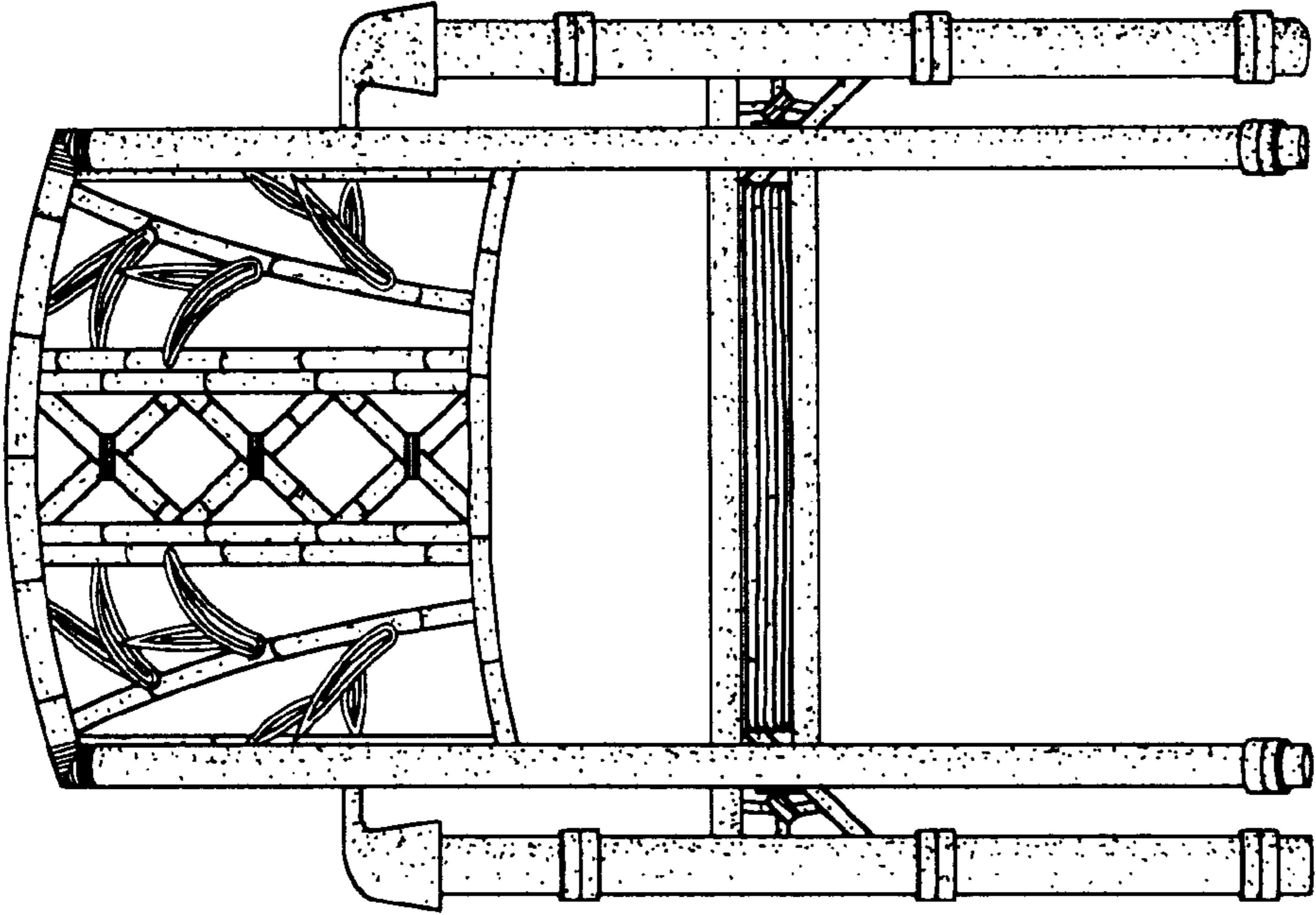


FIG. 3

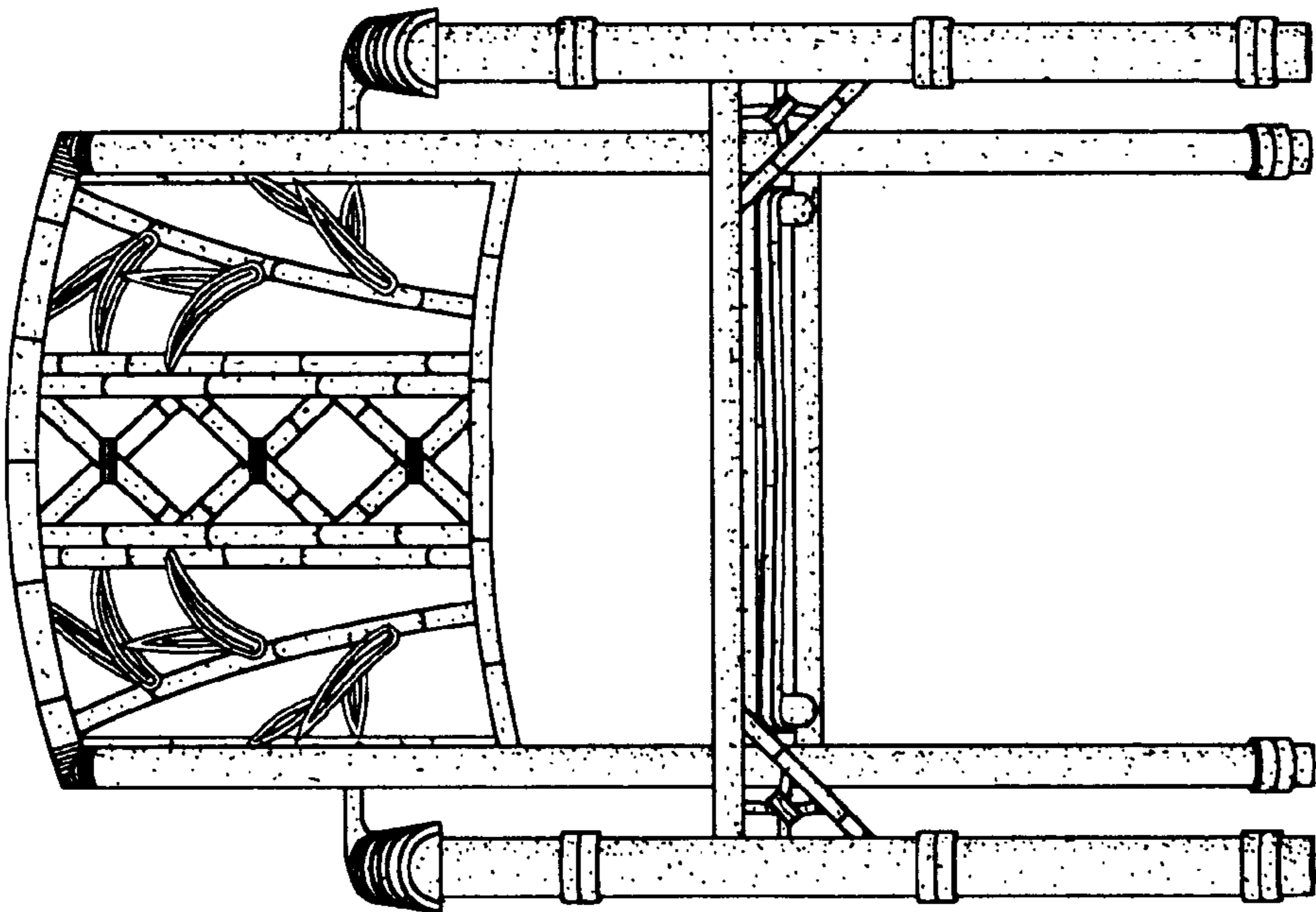


FIG. 2

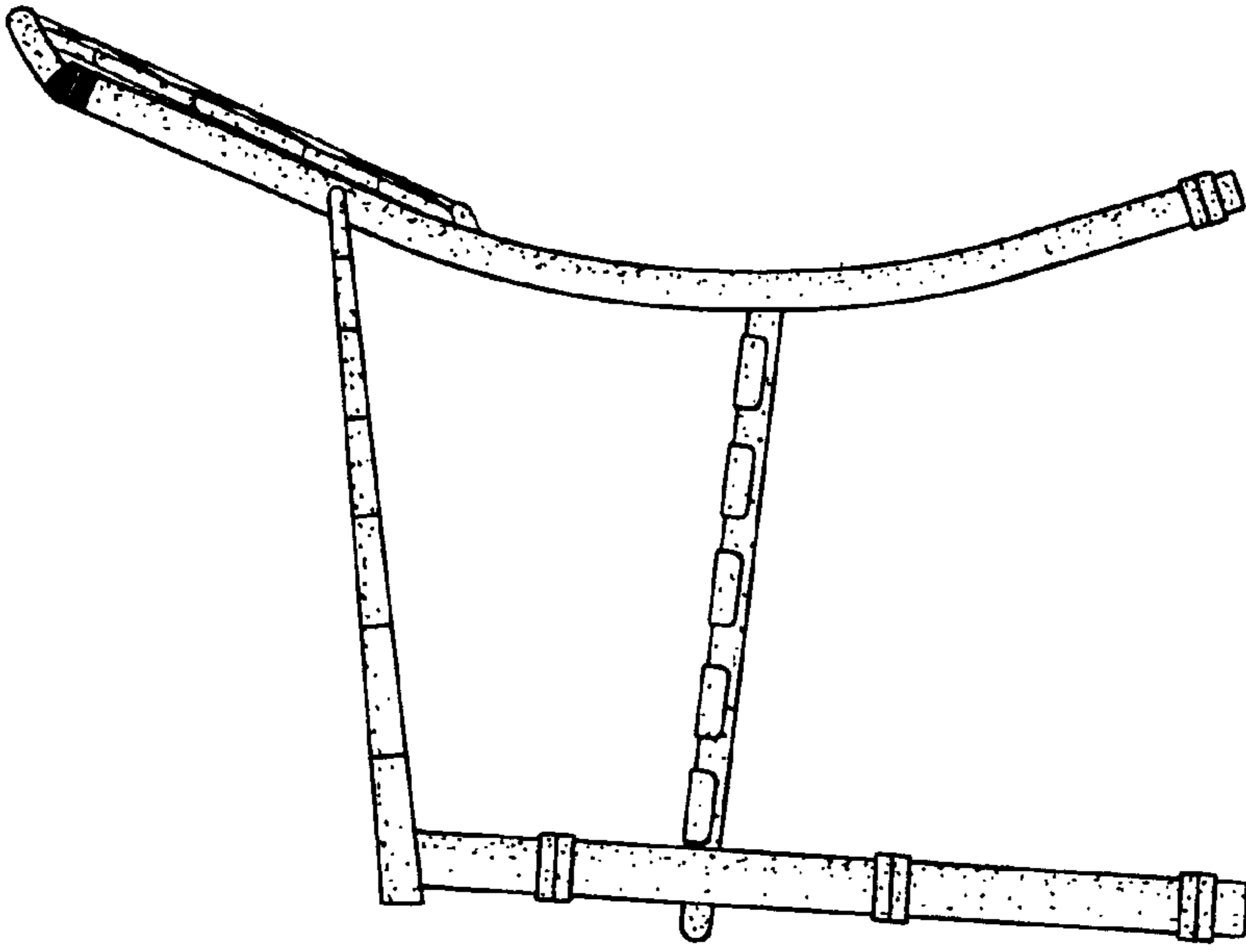


FIG. 5

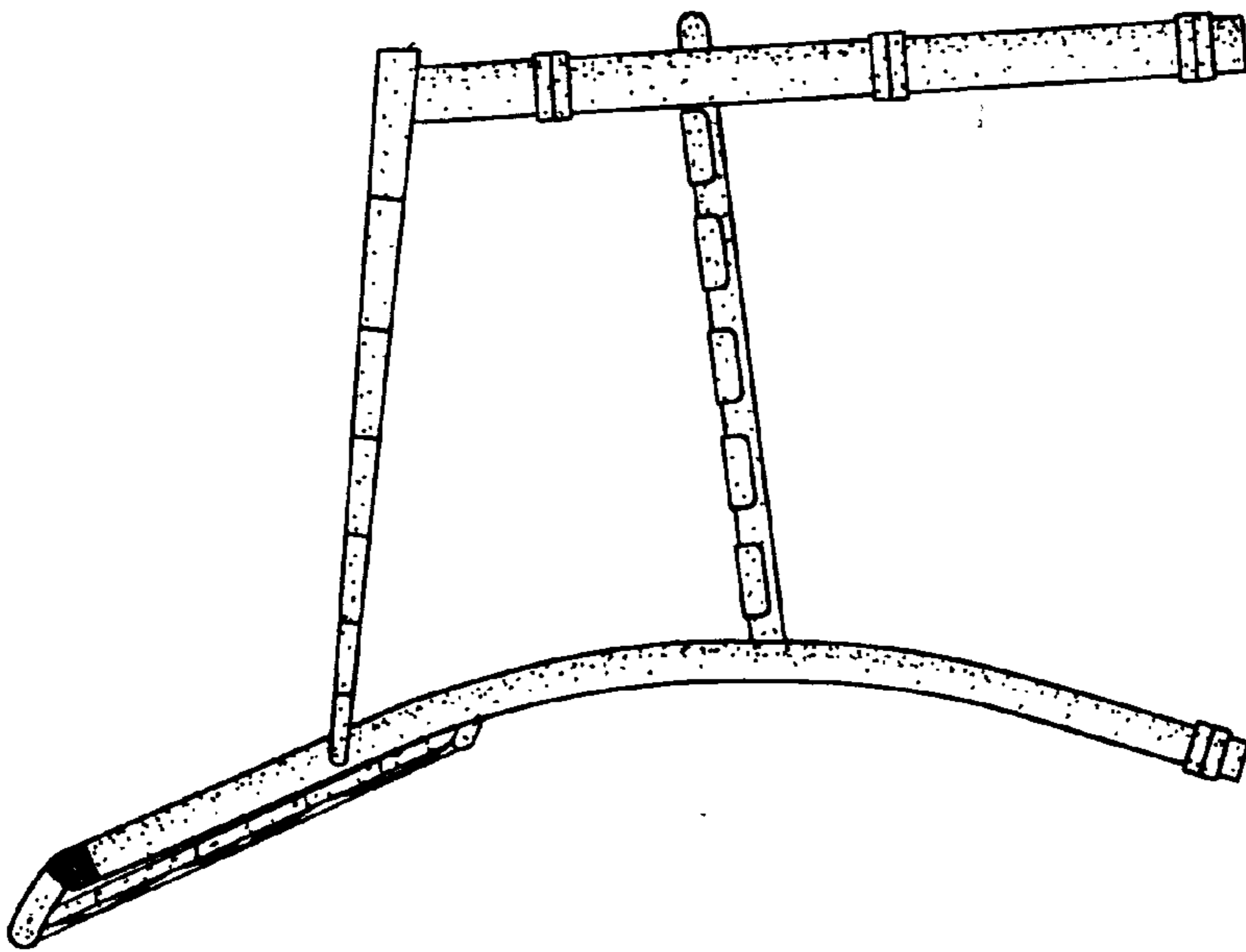


FIG. 4

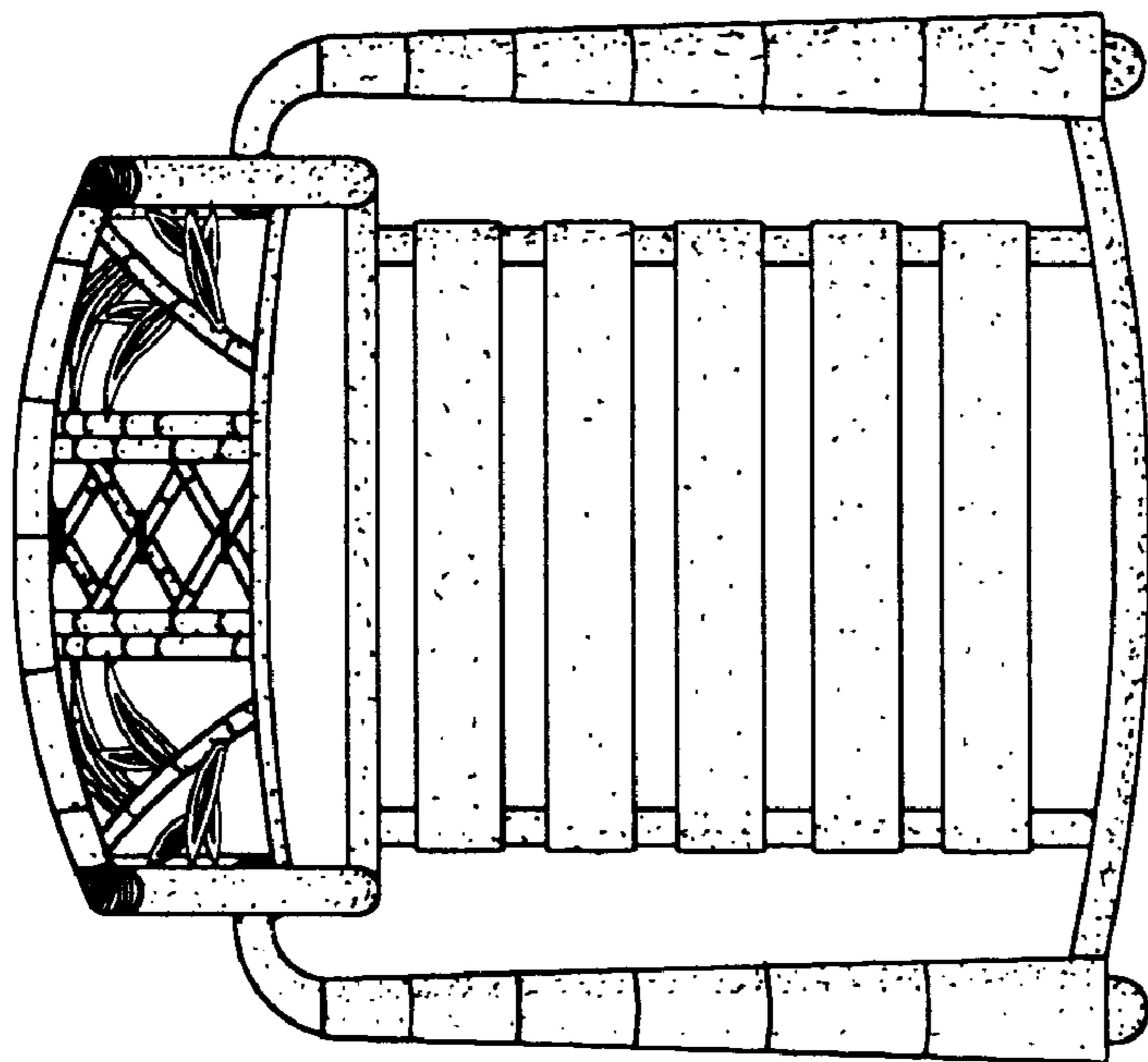


FIG. 6

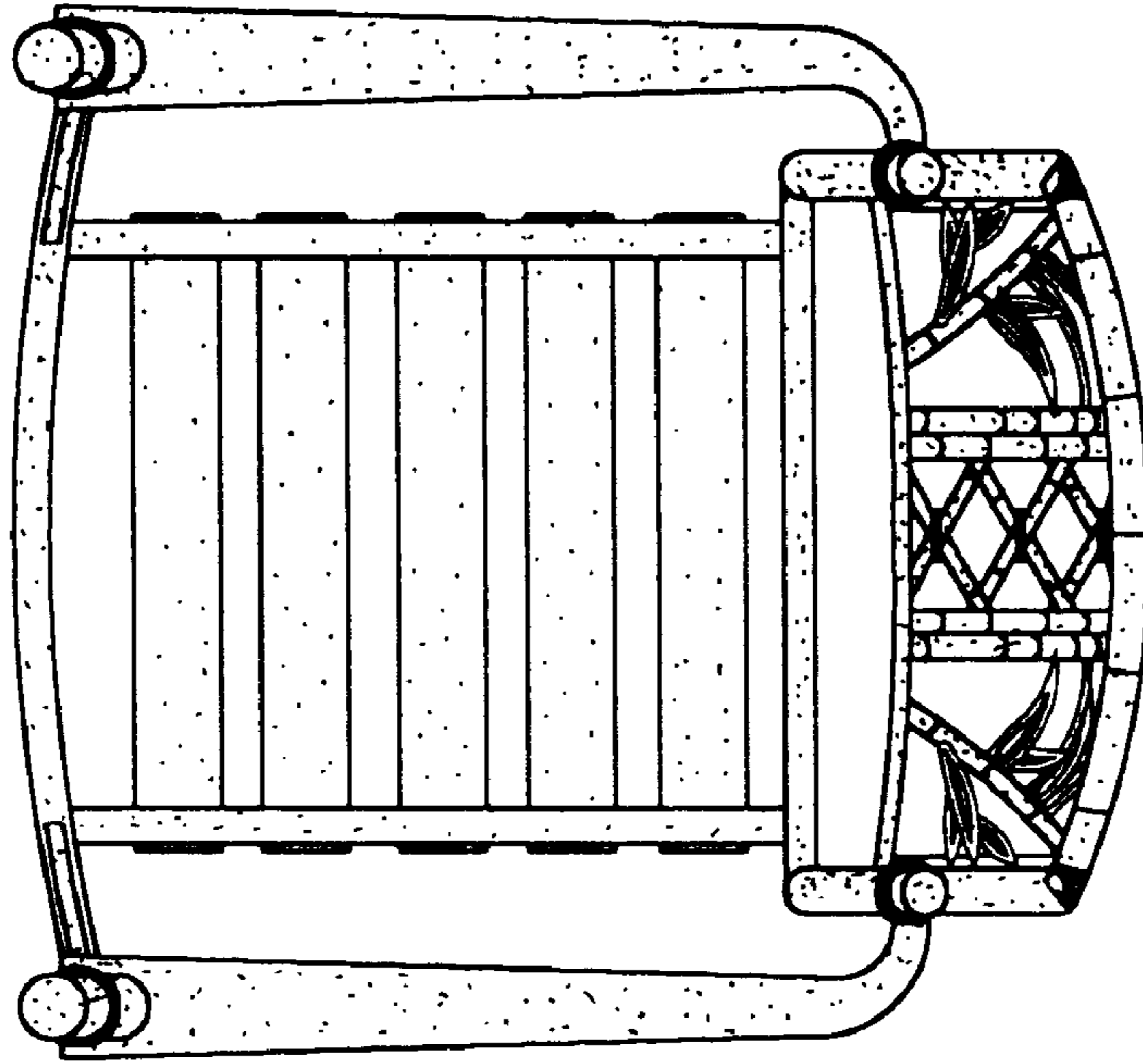


FIG. 7