



US00D450464B1

(12) **United States Design Patent**  
**Olk et al.**

(10) **Patent No.:** **US D450,464 S**

(45) **Date of Patent:** **\*\* Nov. 20, 2001**

(54) **COORDINATE LOOP GARMENT HANGER**

(75) Inventors: **Olaf Olk**, Hauppauge; **Stanley F. Gouldson**, Northport, both of NY (US)

(73) Assignee: **Spotless Plastics Pty. Ltd.**, Moorabbin (AU)

(\*\*) Term: **14 Years**

(21) Appl. No.: **29/137,842**

(22) Filed: **Feb. 28, 2001**

(51) **LOC (7) Cl.** ..... **06-08**

(52) **U.S. Cl.** ..... **D6/328; D6/318**

(58) **Field of Search** ..... D6/315, 318, 328;  
223/85, 88, 92, DIG. 4; 211/113

(56) **References Cited**

**U.S. PATENT DOCUMENTS**

D. 276,866	*	12/1984	Arnold	.....	D6/328
D. 276,868	*	12/1984	Arnold	.....	D6/328
D. 394,753	*	6/1998	Zuckerman	.....	D6/328
D. 441,551	*	5/2001	Yegavian et al.	.....	D6/328
4,653,678	*	3/1987	Blanchard et al.	.	
4,871,098	*	10/1989	Bredeweg et al.	.	
5,803,321	*	9/1998	Willinger et al.	.	
6,070,772	*	6/2000	Bond	.	
6,105,834	*	8/2000	Cohen	.	

\* cited by examiner

*Primary Examiner*—B. J. Bullock

(74) *Attorney, Agent, or Firm*—Scully, Scott, Murphy & Presser

(57) **CLAIM**

The ornamental design for a coordinate loop garment hanger, as shown and described.

**DESCRIPTION**

FIG. 1 is a front elevational view of a coordinate loop garment hanger showing the new design of the present invention.

FIG. 2 is an enlarged perspective view of primarily the dependent hook-receiving closed loop element of the coordinate loop garment hanger.

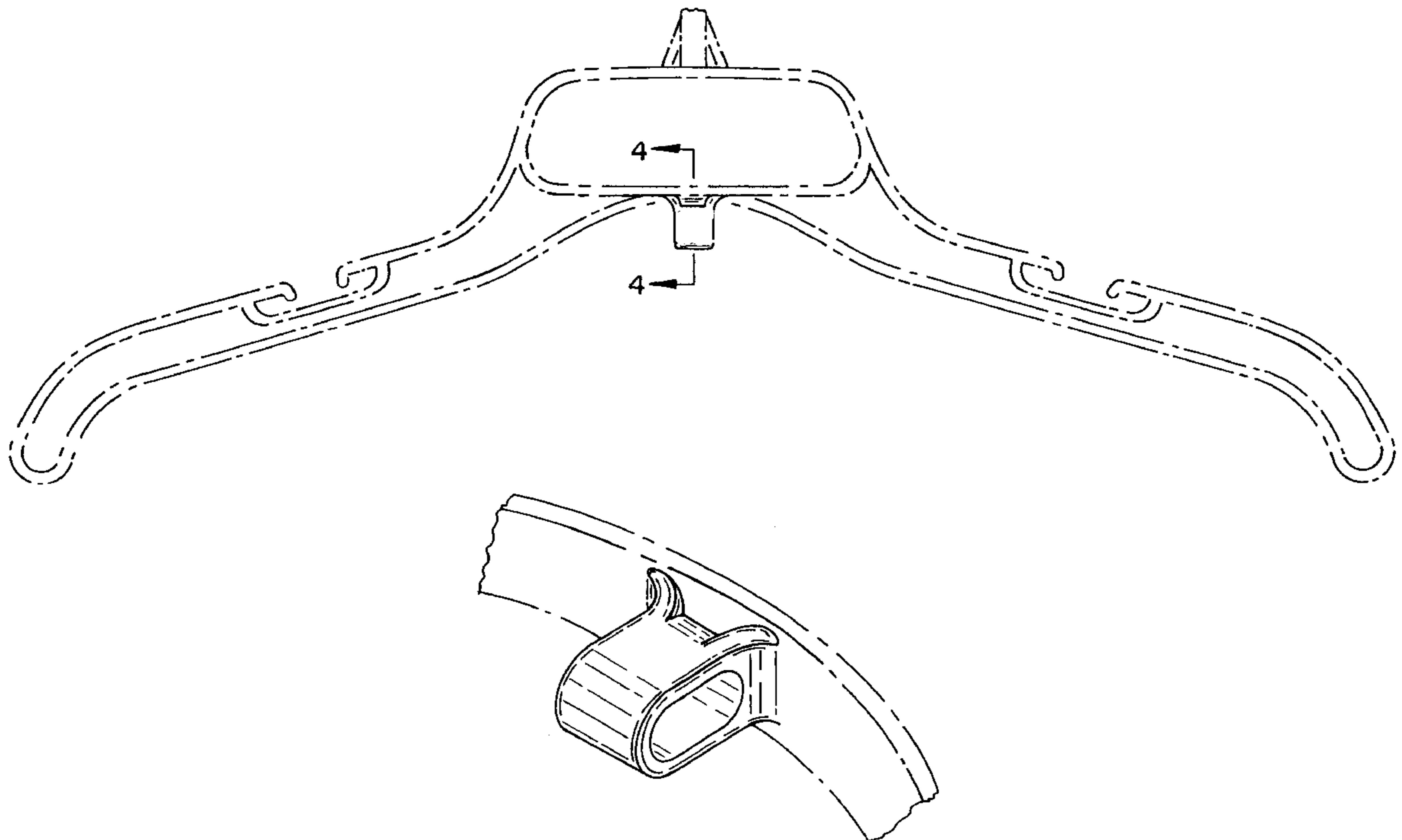
FIG. 3 is a front elevational view of primarily the dependent hook-receiving closed loop element of the coordinate loop garment hanger.

FIG. 4 is a sectional view taken along arrows 4—4 of FIG. 1; and,

FIG. 5 is a bottom view of the dependent hook-receiving closed loop element of the coordinate loop garment hanger. The broken lines are for illustrative purposes only and form no part of the embodiment.

While the views use a variety of scales to illustrate the design, the claim is directed to a single embodiment with consistent proportions.

**1 Claim, 2 Drawing Sheets**



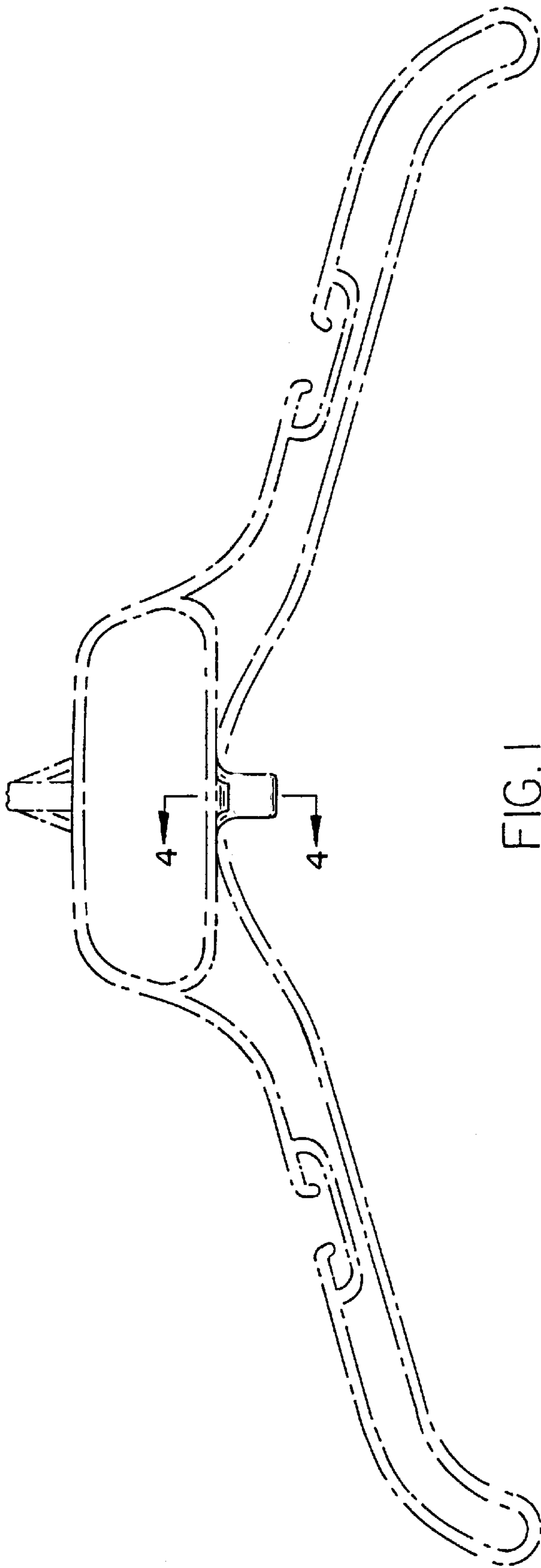


FIG. 1

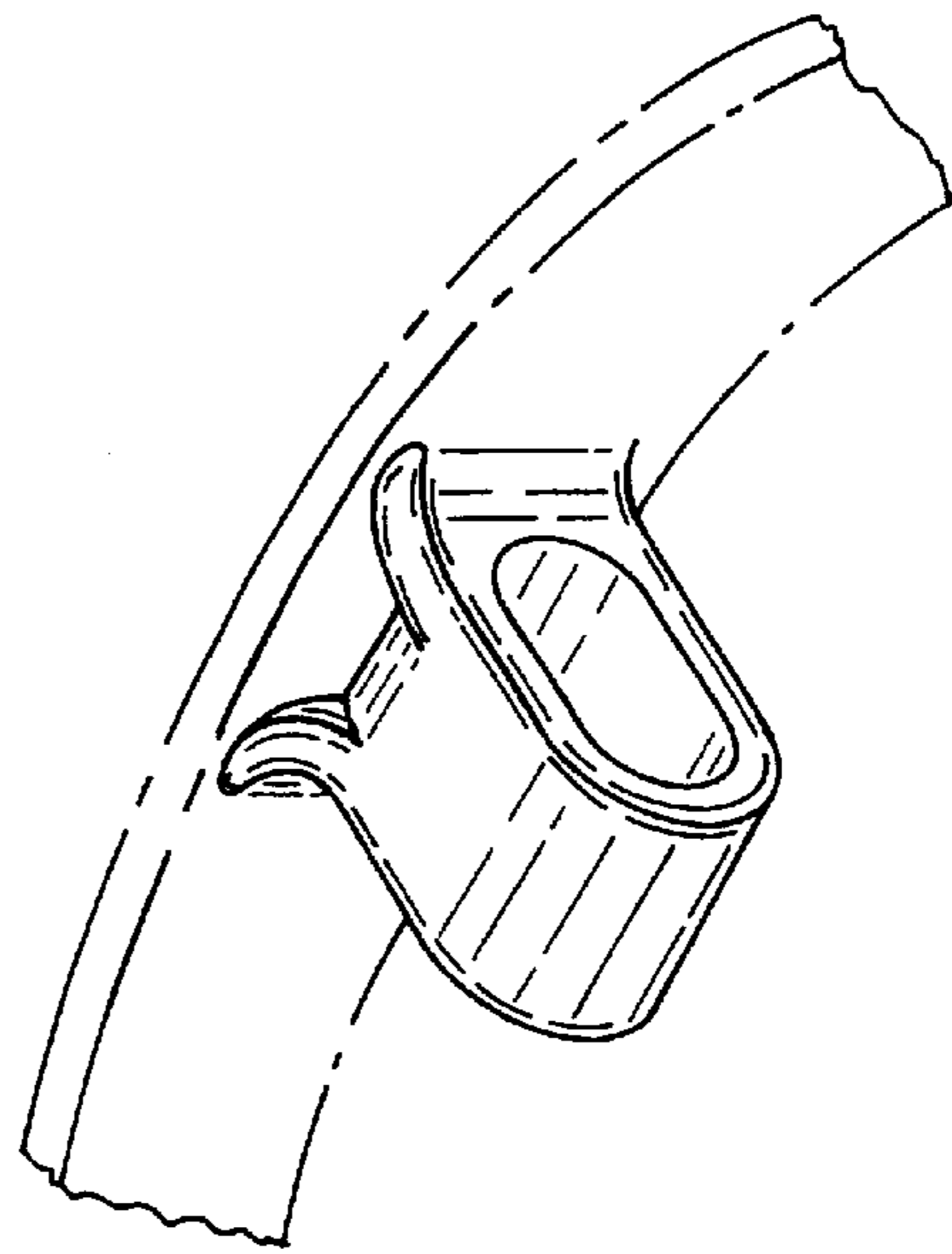


FIG. 2

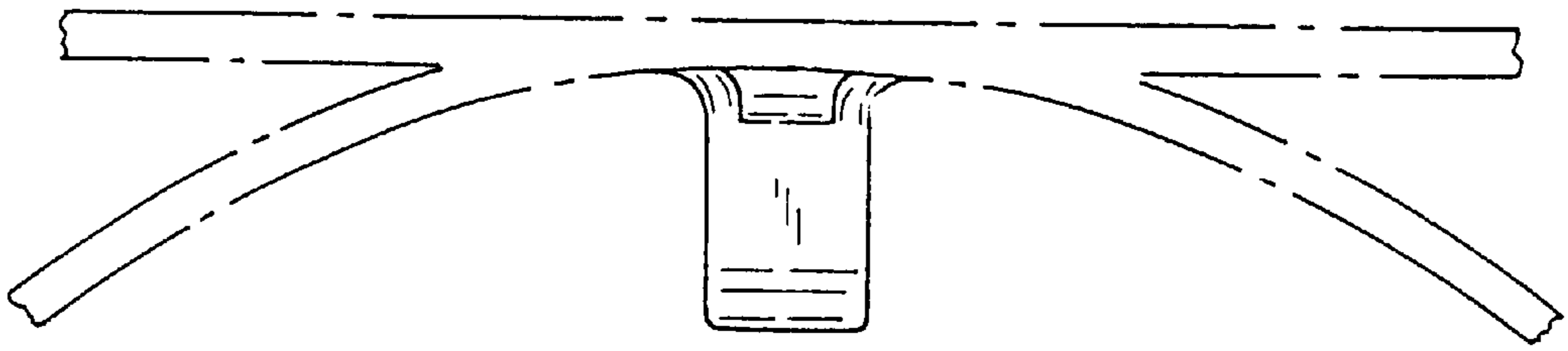


FIG. 3

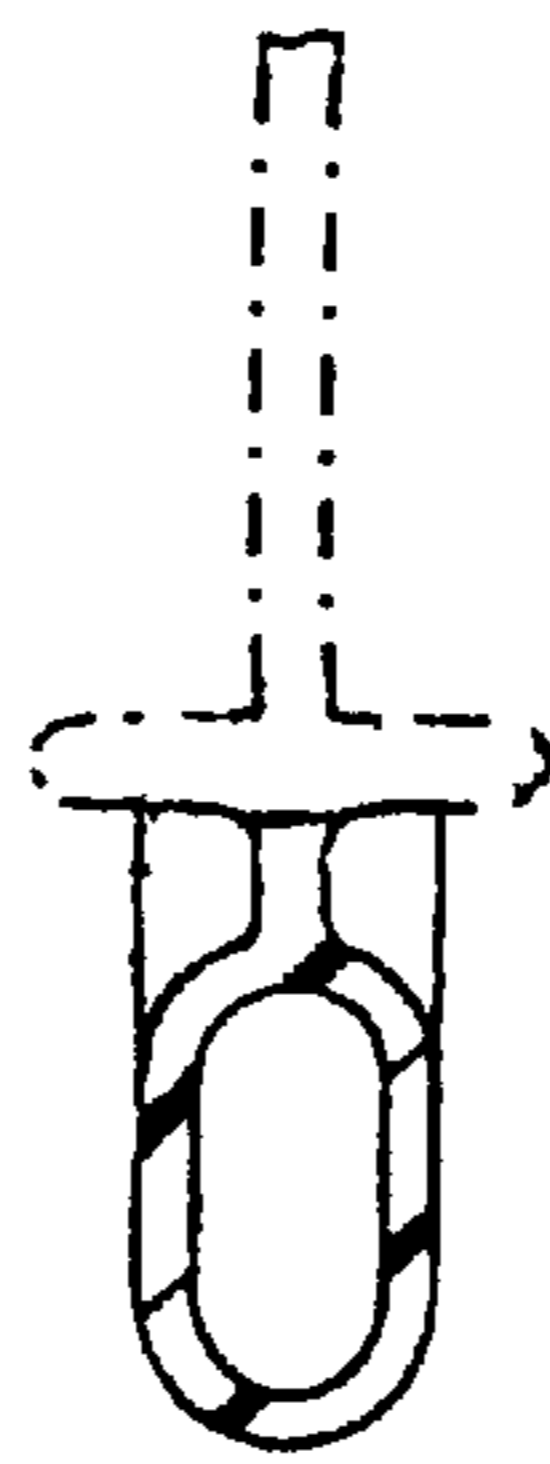


FIG. 4

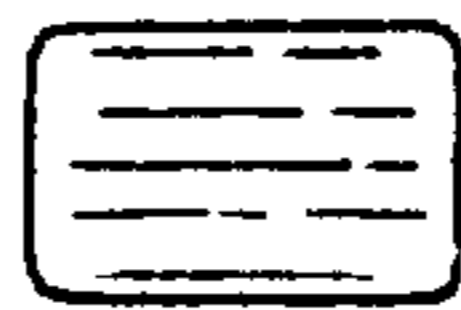


FIG. 5