



US00D450463B1

(12) **United States Design Patent** (10) **Patent No.:** **US D450,463 S**
Wong et al. (45) **Date of Patent:** **** Nov. 20, 2001**

(54) **HANGER CLIP**

(75) Inventors: **Eddie Wong**, Kowloon (HK);
Jonathan Willinger, Tenafly, NJ (US)

(73) Assignee: **Randy Hangers, LLC**, Hasbrouck Heights, NJ (US)

(**) Term: **14 Years**

(21) Appl. No.: **29/118,710**

(22) Filed: **Feb. 14, 2000**

(51) **LOC (7) Cl.** **06-08**

(52) **U.S. Cl.** **D6/328; D6/326**

(58) **Field of Search** **D6/315, 326, 328;**
24/510, 509; 223/85, 90, 91, 93, 96, DIG. 2;
211/113

(56) **References Cited**

U.S. PATENT DOCUMENTS

D. 303,590	*	9/1989	Pelosi	D6/328
D. 307,982	*	5/1990	Duester	D6/328
D. 315,992	*	4/1991	Tremblay et al.	D6/318
D. 316,334	*	4/1991	Duester	D6/328
D. 323,588	*	2/1992	Pelosi	D6/328
6,023,819		2/2000	Wong et al.	..	

* cited by examiner

Primary Examiner—B. J. Bullock

(74) *Attorney, Agent, or Firm*—Rosenman & Colin, LLP

(57) **CLAIM**

The ornamental design for a hanger clip, as shown and described.

DESCRIPTION

FIG. 1 is a front view of the hanger clip shown on a hanger;

1 Claim, 4 Drawing Sheets

FIG. 2 is a perspective view of the hanger clip;

FIG. 3 is a top view of the hanger clip;

FIG. 4 is a front view of the hanger clip;

FIG. 5 is a left side view of the hanger clip in the closed position;

FIG. 6 is a right side view of the hanger clip in the closed position;

FIG. 7 is a bottom side view of the hanger clip in the closed position;

FIG. 8 is a left side view of the hanger clip in the open position;

FIG. 9 is a rear side view of the hanger clip;

FIG. 10 is a front view of a second embodiment of the hanger clip;

FIG. 11 is a perspective view of a second embodiment of the hanger clip;

FIG. 12 is a top view of a second embodiment of the hanger clip;

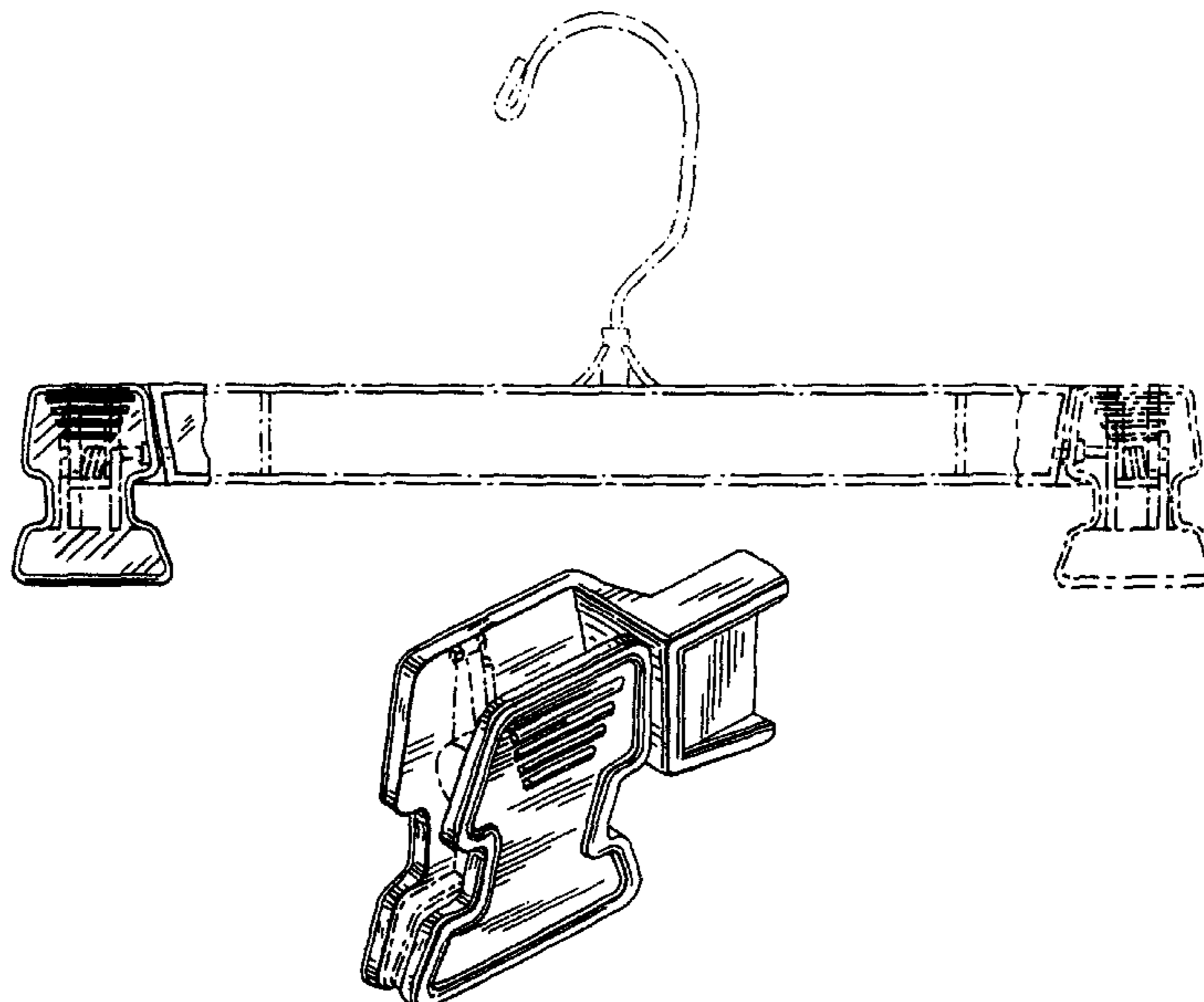
FIG. 13 is a front view of a second embodiment of the hanger clip;

FIG. 14 is a left side view of a second embodiment of the hanger clip in the closed position;

FIG. 15 is a right side view of a second embodiment of the hanger clip in the closed position;

FIG. 16 is a bottom side view of a second embodiment of the hanger clip in the closed position; and,

FIG. 17 is a rear side view of a second embodiment of the hanger clip.



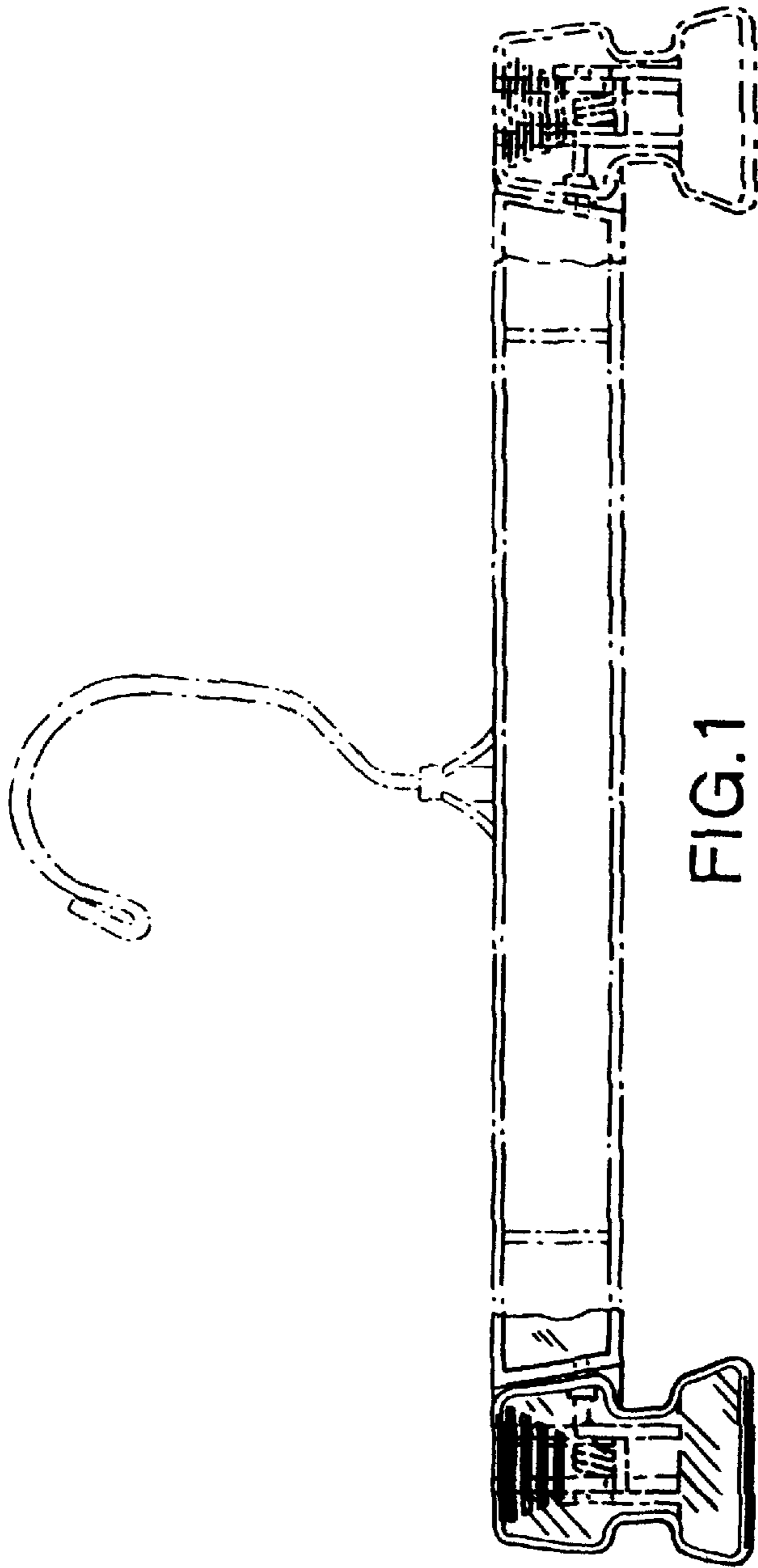


FIG.1

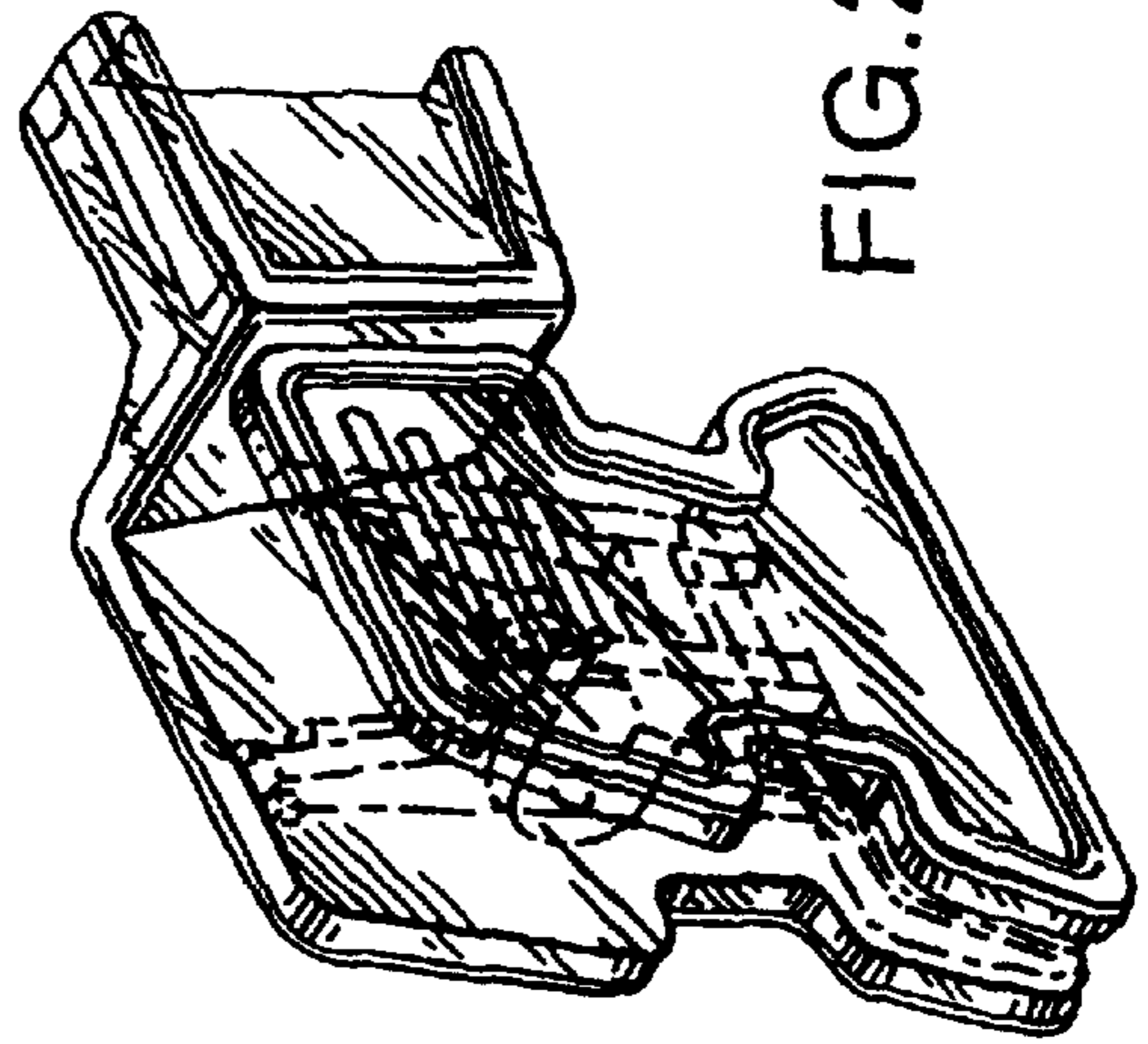


FIG.2

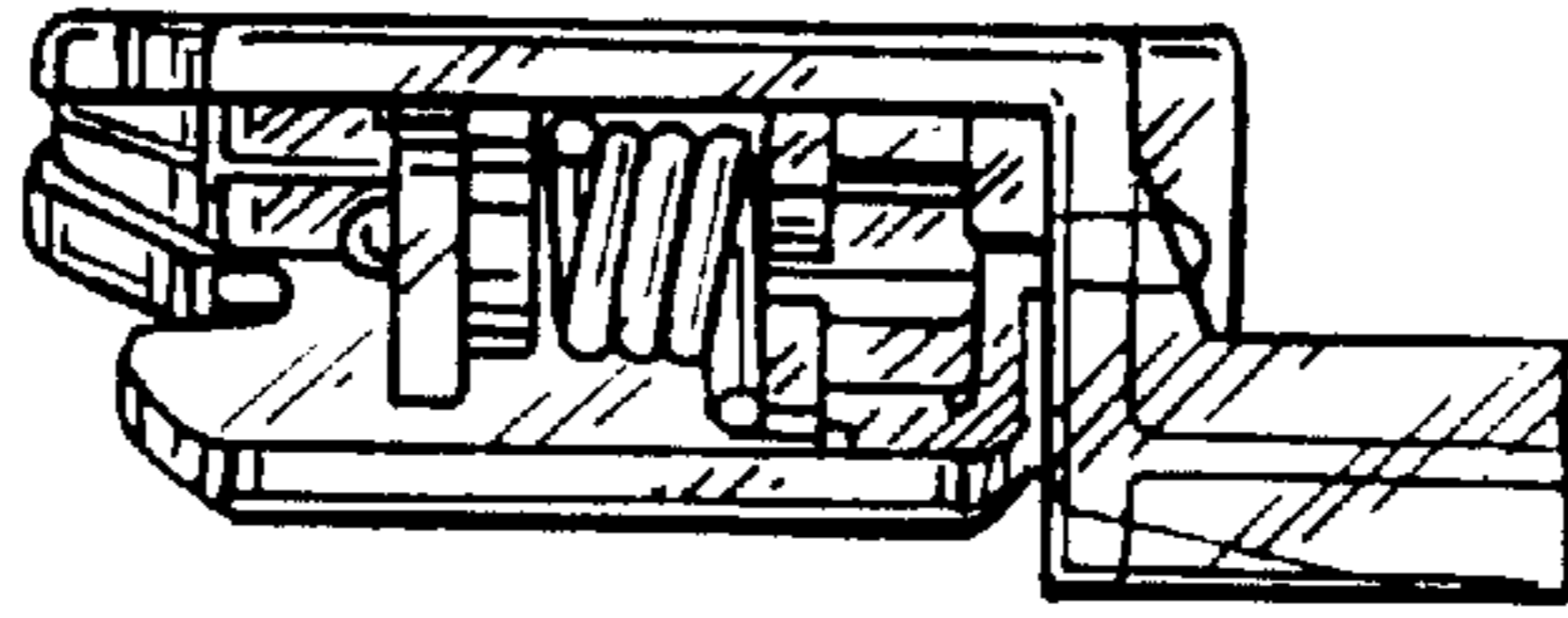


FIG. 3

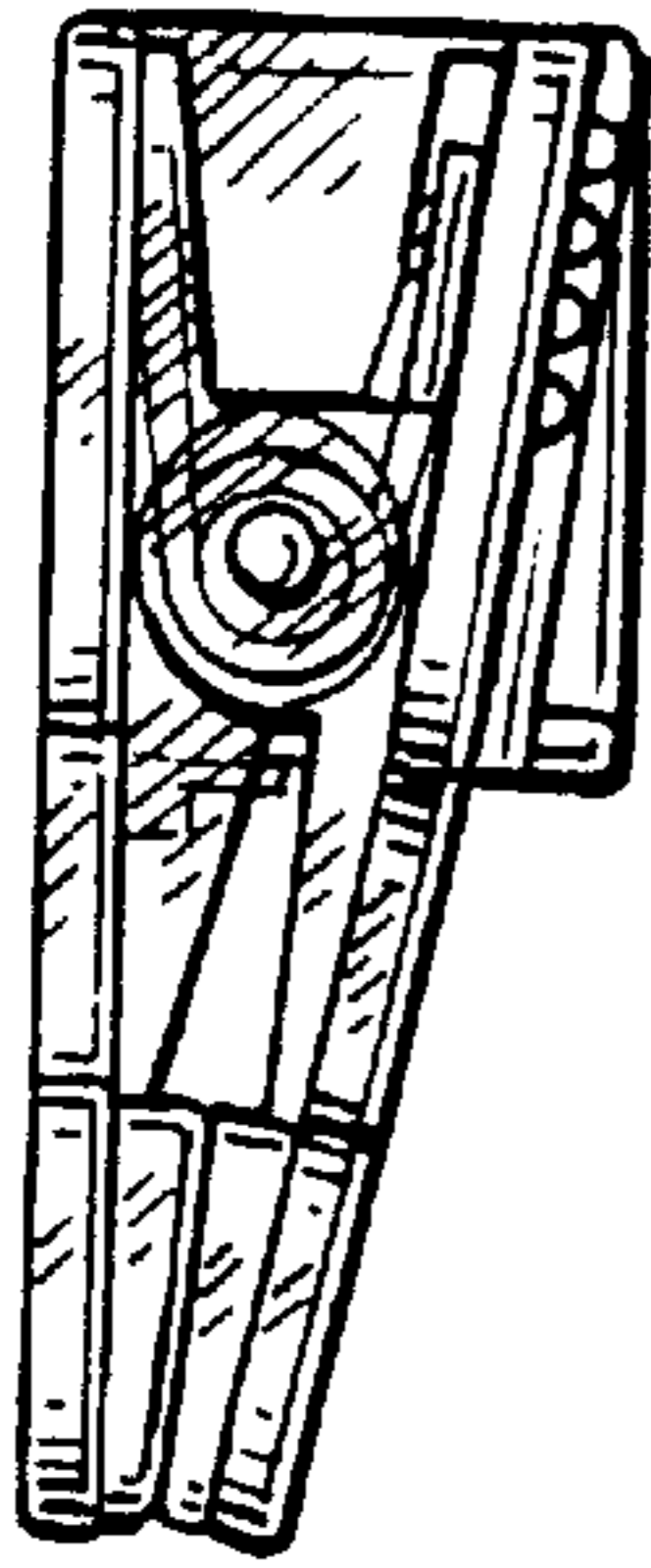


FIG. 5

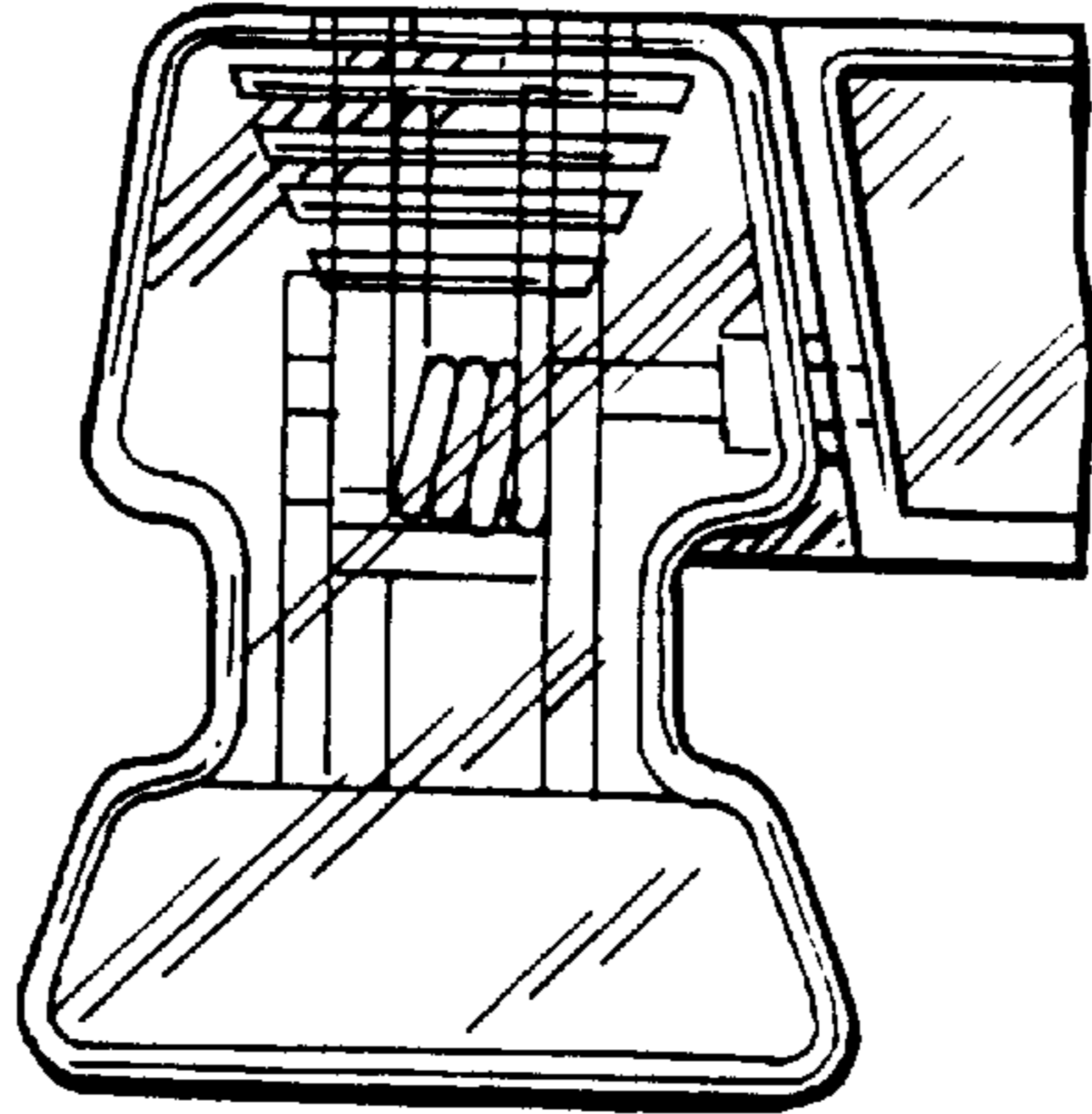


FIG. 4

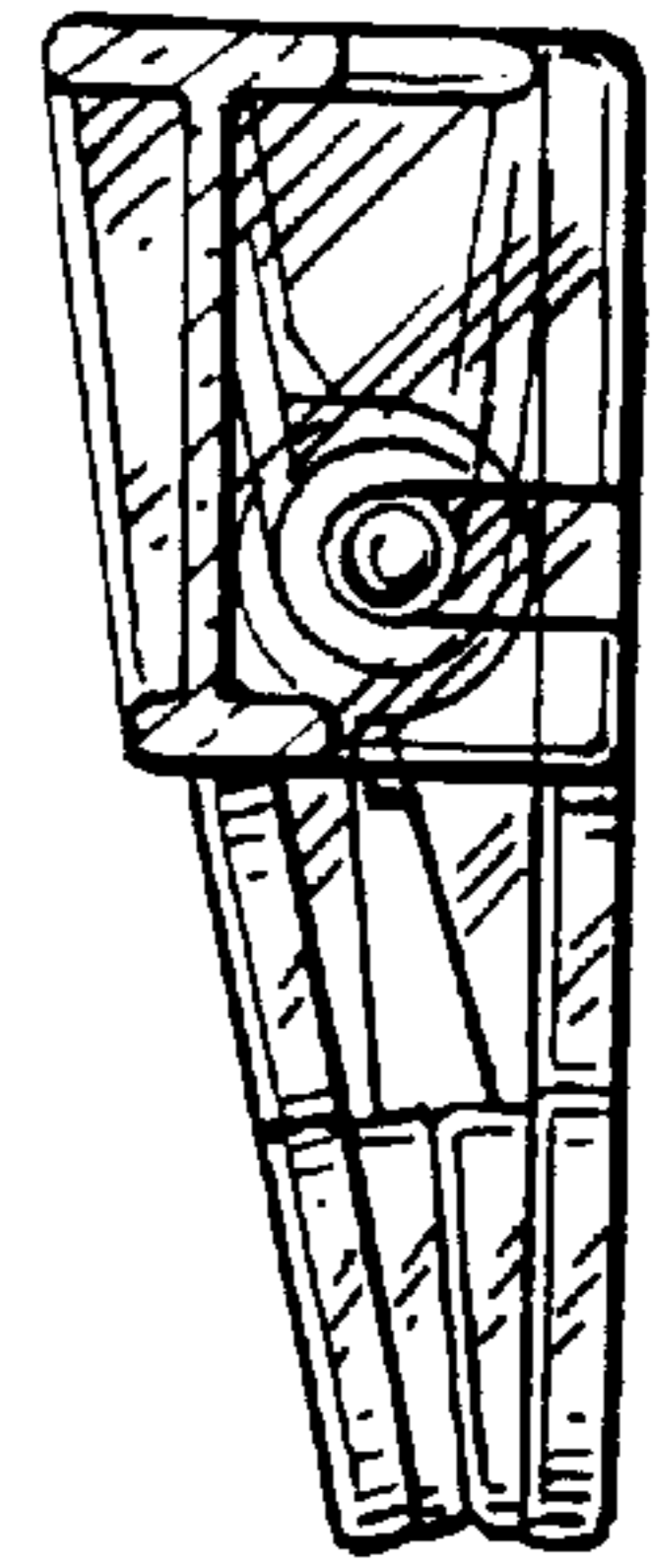


FIG. 6

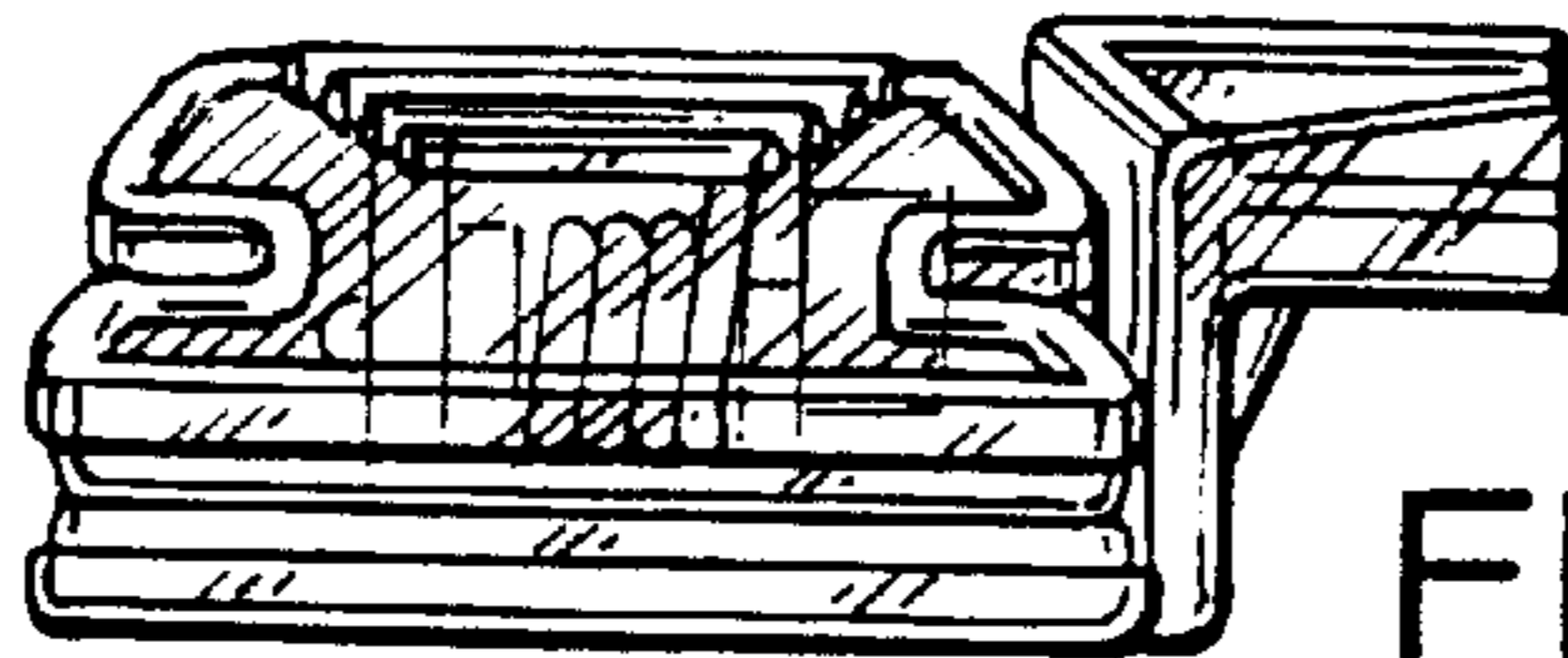


FIG. 7

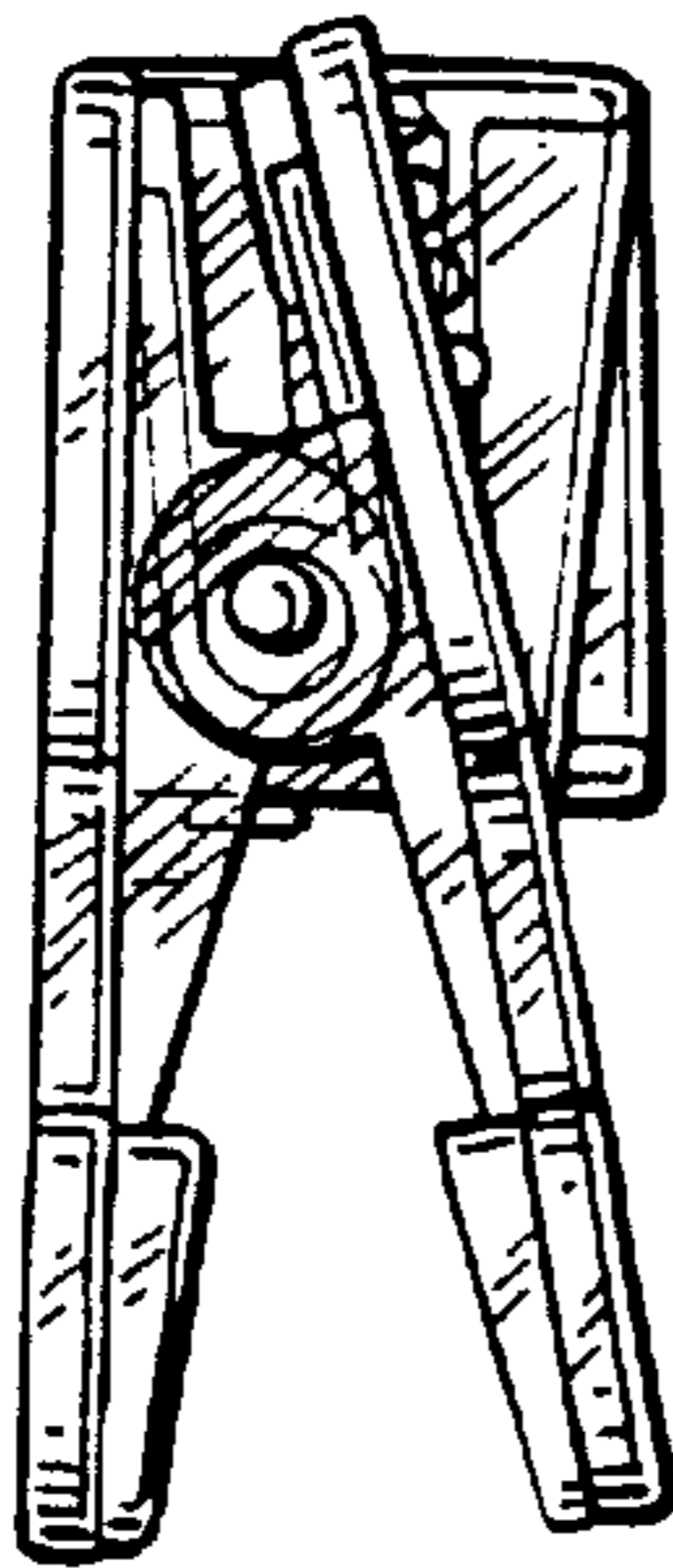


FIG. 8

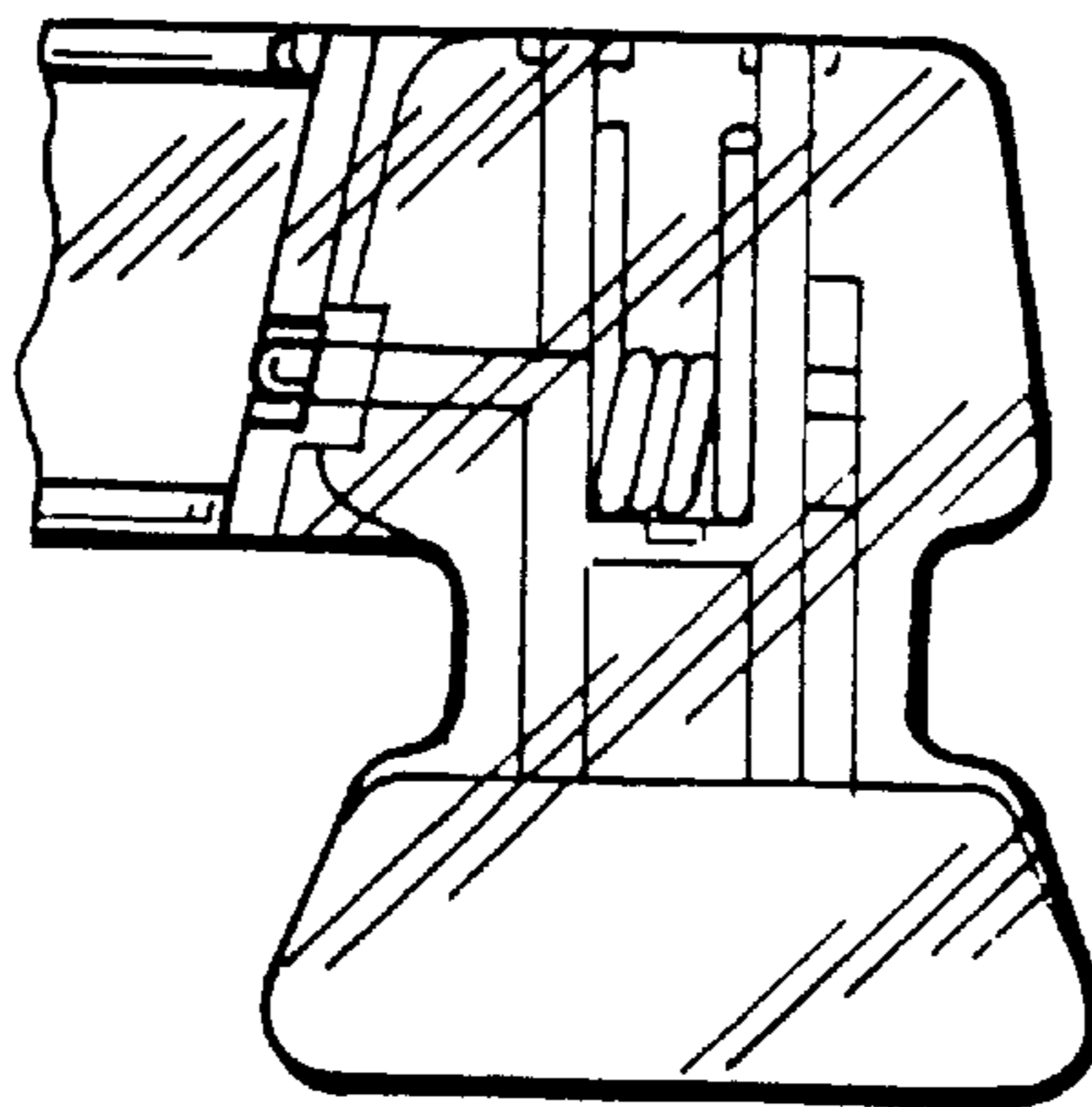


FIG. 9

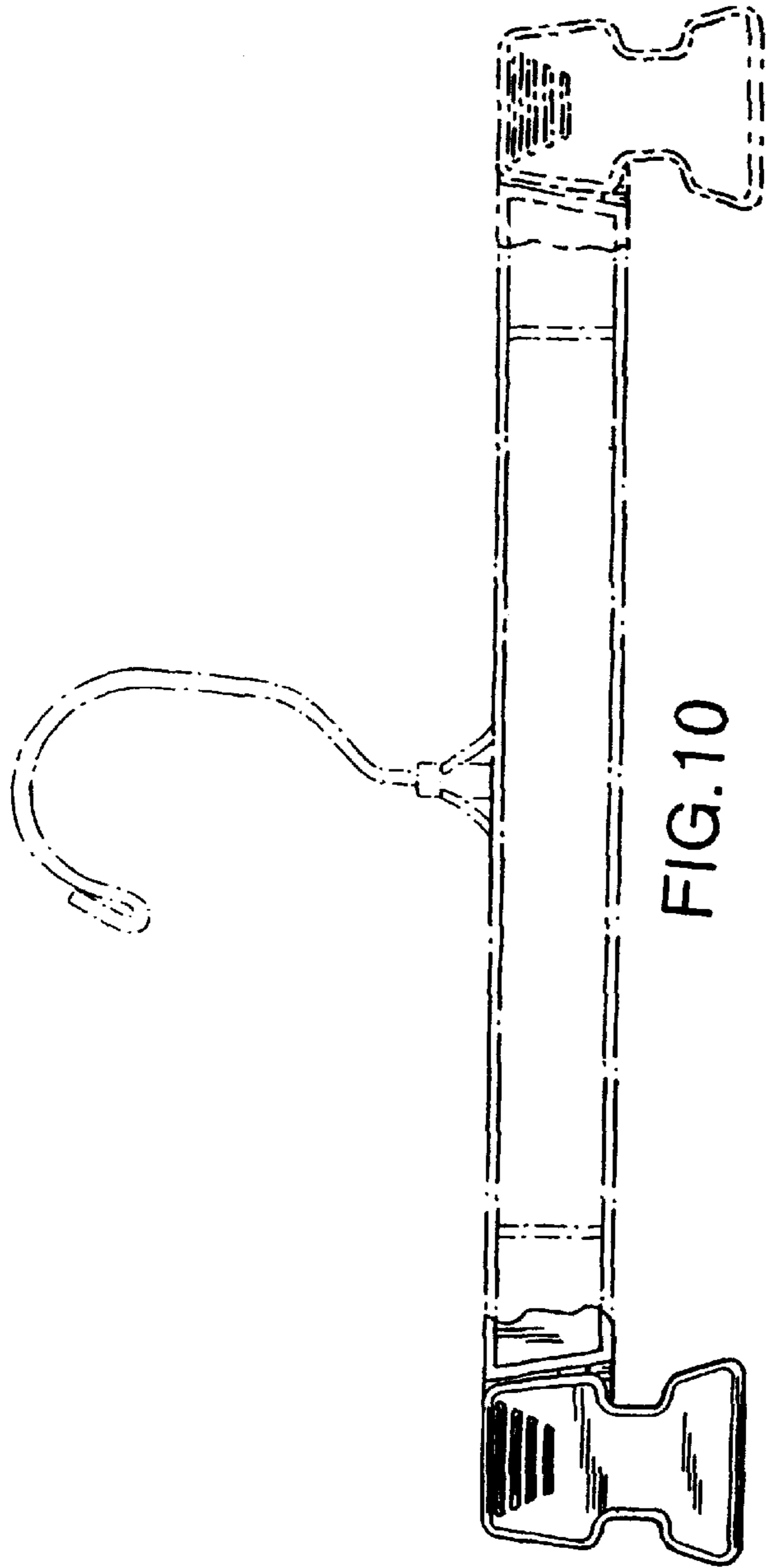


FIG. 10

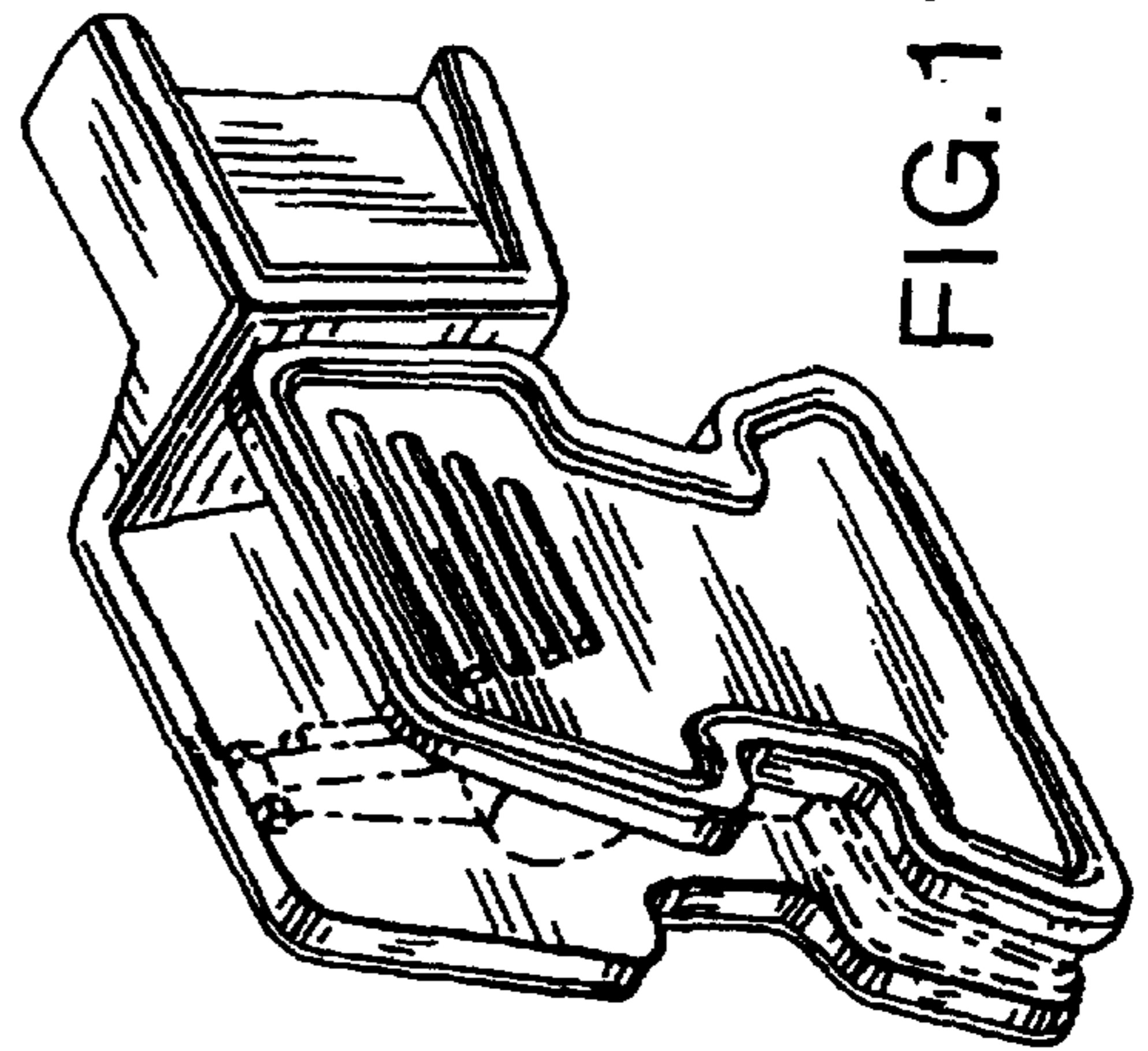


FIG. 11

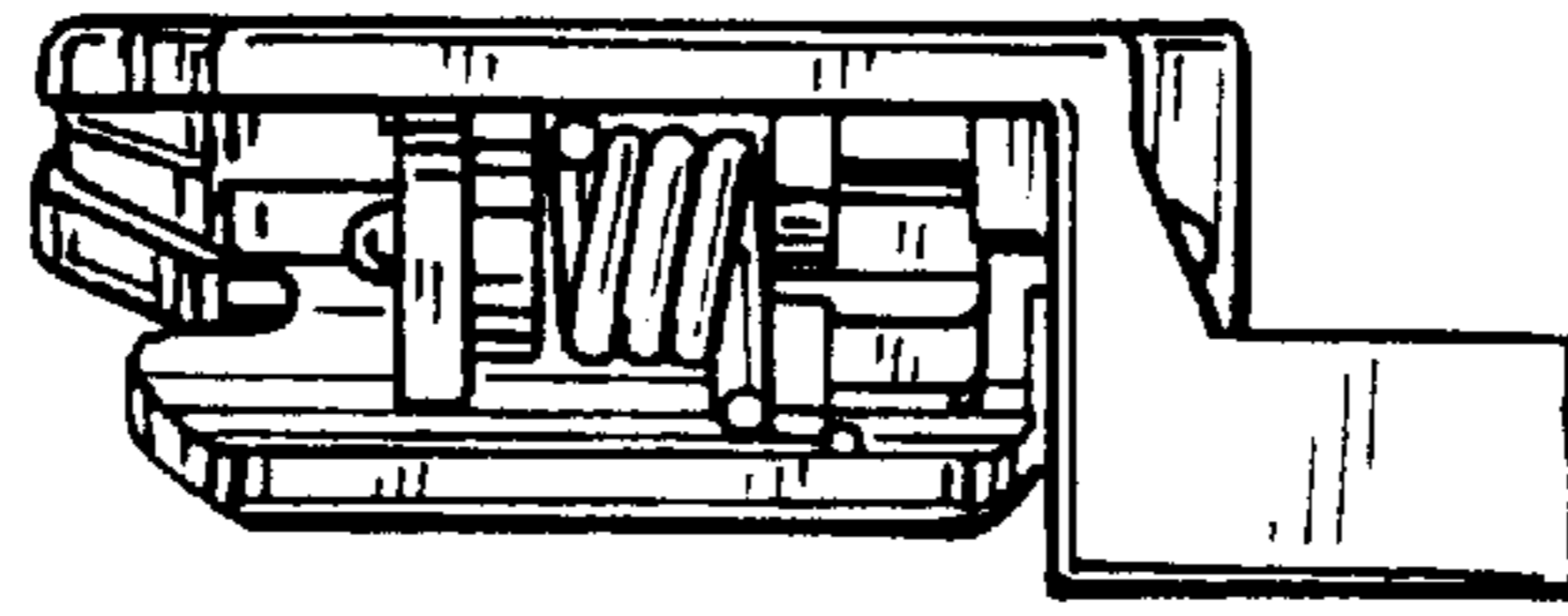


FIG. 12

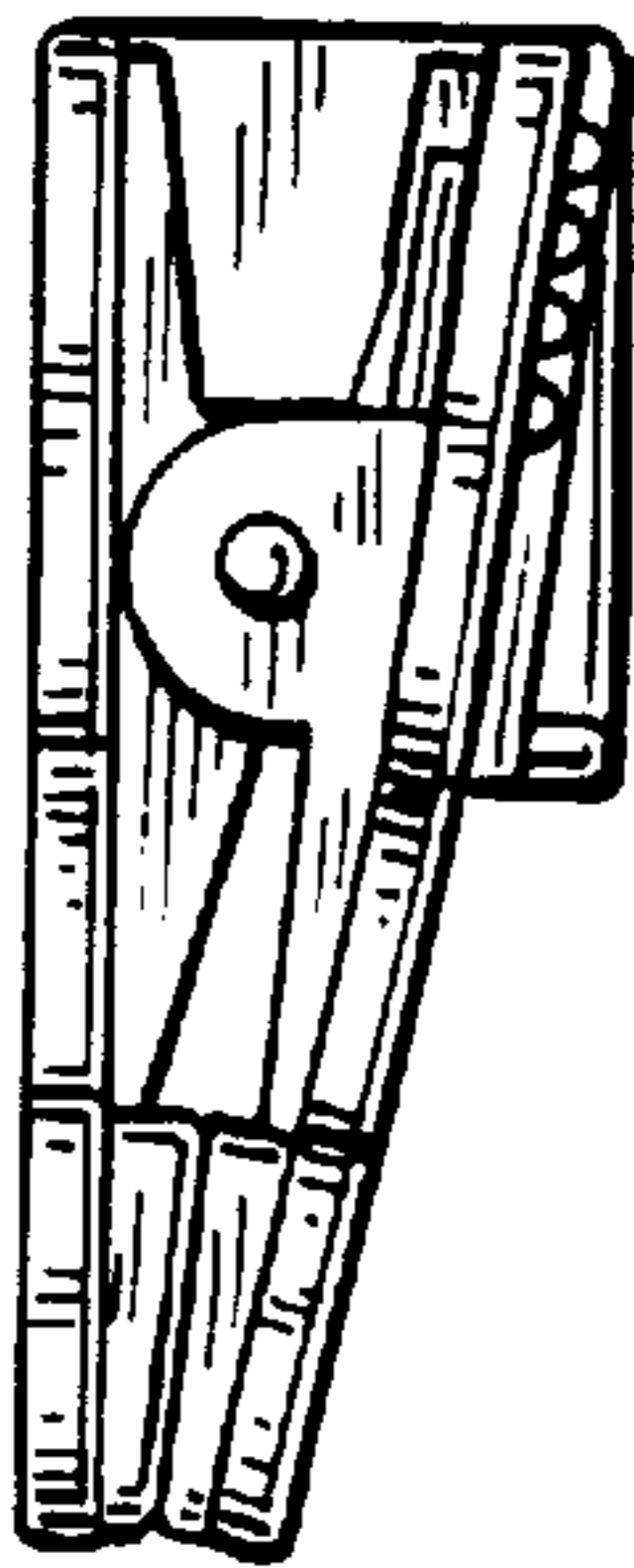


FIG. 14

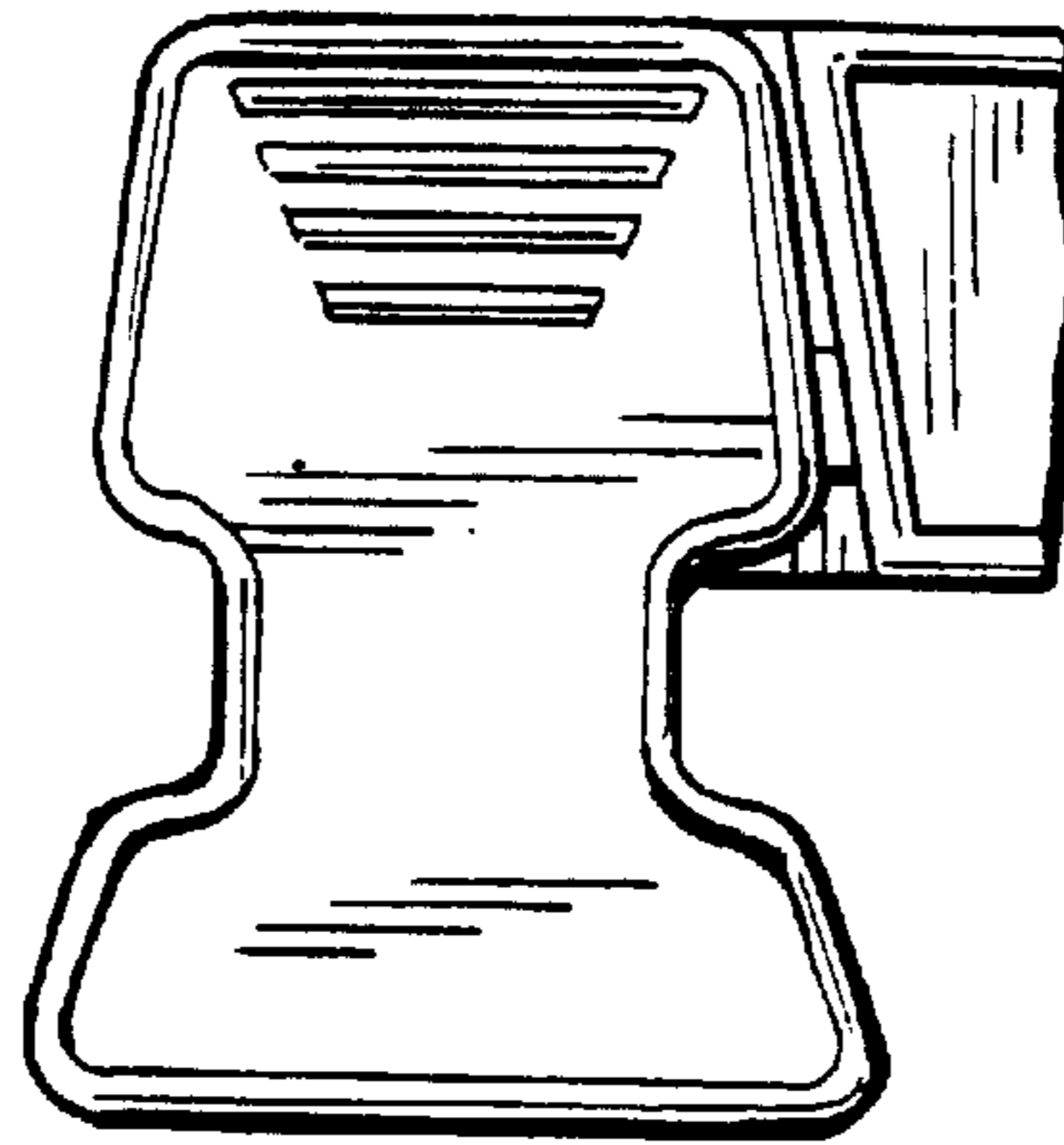


FIG. 13

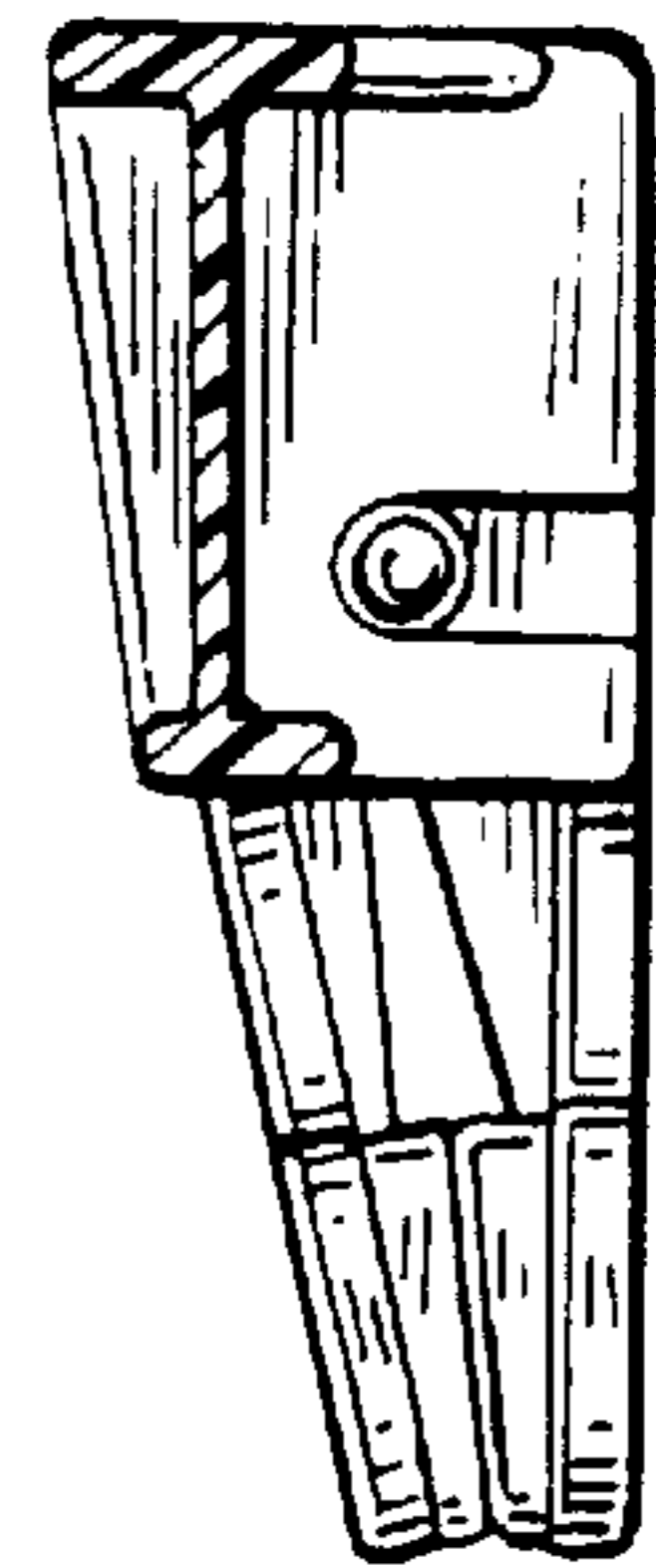


FIG. 15

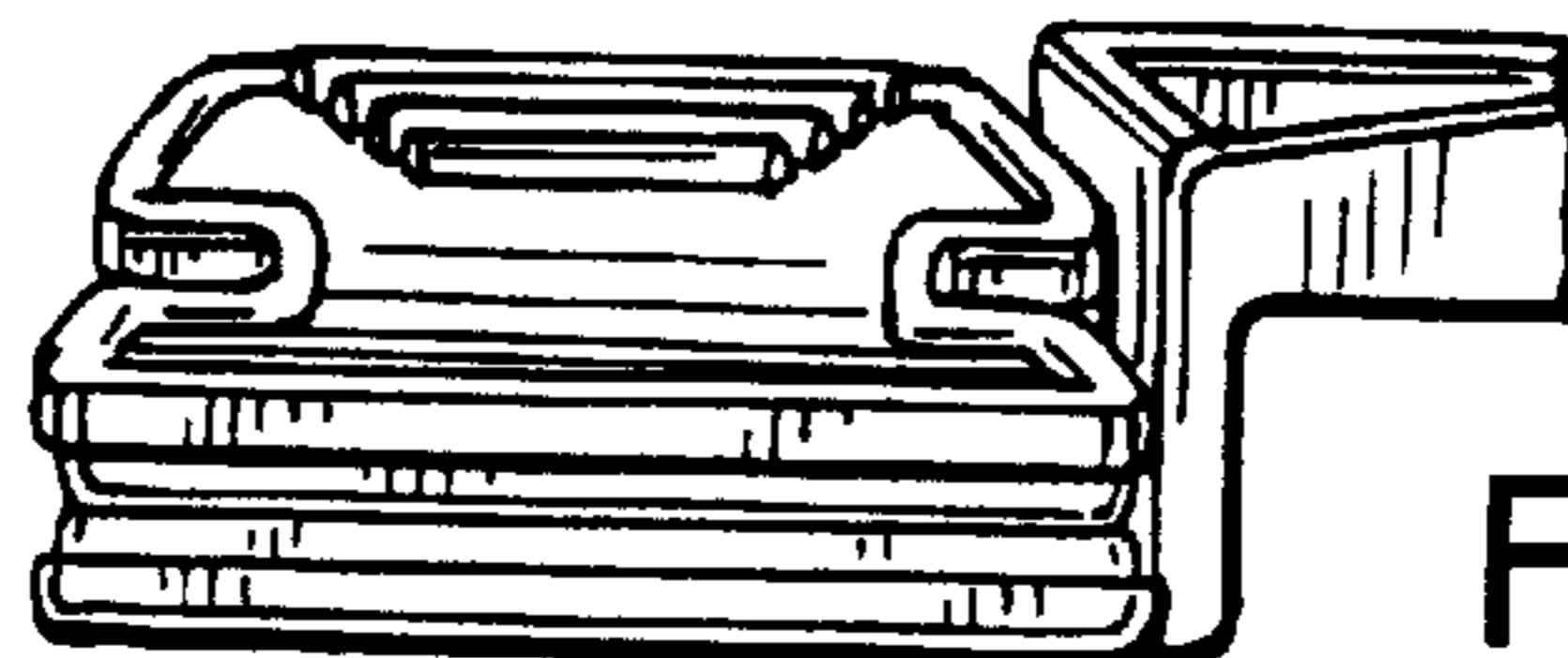


FIG. 16

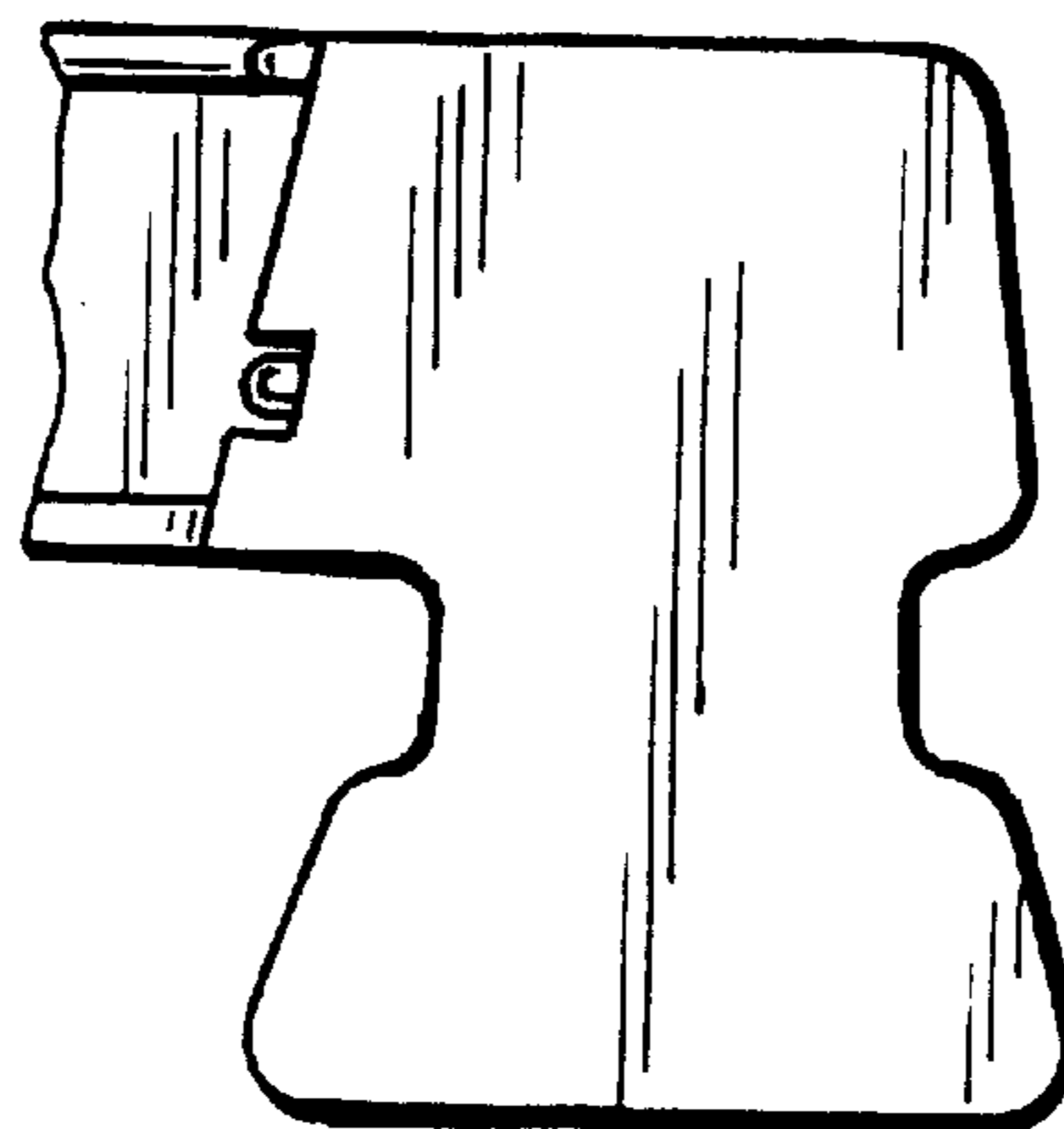


FIG. 17