



US00D450462B1

(12) **United States Design Patent**  
**Lazarz**

(10) **Patent No.:** **US D450,462 S**

(45) **Date of Patent:** **\*\* Nov. 20, 2001**

(54) **CLOTHING RACK HAVING RETRACTABLE HOOKS**

1,587,676 \* 6/1926 Patterson .  
4,901,866 2/1990 Barella ..... 211/1.3  
5,950,845 9/1999 Harris ..... 211/100

(76) **Inventor:** **Joseph T. Lazarz**, 23 Pittsburgh St.,  
Fairchance, PA (US) 15436

\* cited by examiner

(\*\*) **Term:** **14 Years**

*Primary Examiner*—B. J. Bullock  
(74) *Attorney, Agent, or Firm*—Reuben Wolk

(21) **Appl. No.:** **29/133,353**

(57) **CLAIM**

(22) **Filed:** **Nov. 29, 2000**

I claim the ornamental design for a clothing rack having retractable hooks, as shown and described.

(51) **LOC (7) Cl.** ..... **06-08**

**DESCRIPTION**

(52) **U.S. Cl.** ..... **D6/323; D6/569**

(58) **Field of Search** ..... D6/323, 550, 567,  
D6/569; D8/367, 372; 248/294.1, 304, 307,  
308; 211/1.3, 85.3, 100, 99, 172, 106.1

FIG. 1 is a perspective of the clothing rack with hooks in a retracted position.

FIG. 2 is a top view of FIG. 1.

FIG. 3 is a front view of FIG. 1.

FIG. 4 is a bottom view of FIG. 1.

FIGS. 5 and 6 are side views of FIG. 1.

FIG. 7 is a back view of FIG. 1.

FIG. 8 is a perspective view of the clothing rack, similar to FIG. 1, but showing hooks in an extended position; and, FIGS. 9–13 are views of FIG. 8, which are similar to FIGS. 2–6.

(56) **References Cited**

**U.S. PATENT DOCUMENTS**

- D. 145,813 \* 10/1946 Marsh .
- D. 166,792 \* 5/1952 Bookman et al. .
- D. 385,480 10/1997 Mayo ..... D8/372
- 434,343 \* 8/1890 Katherman .
- 631,860 \* 8/1899 Porter .
- 703,742 7/1902 Salmond .
- 1,435,889 11/1922 Barker .

**1 Claim, 4 Drawing Sheets**

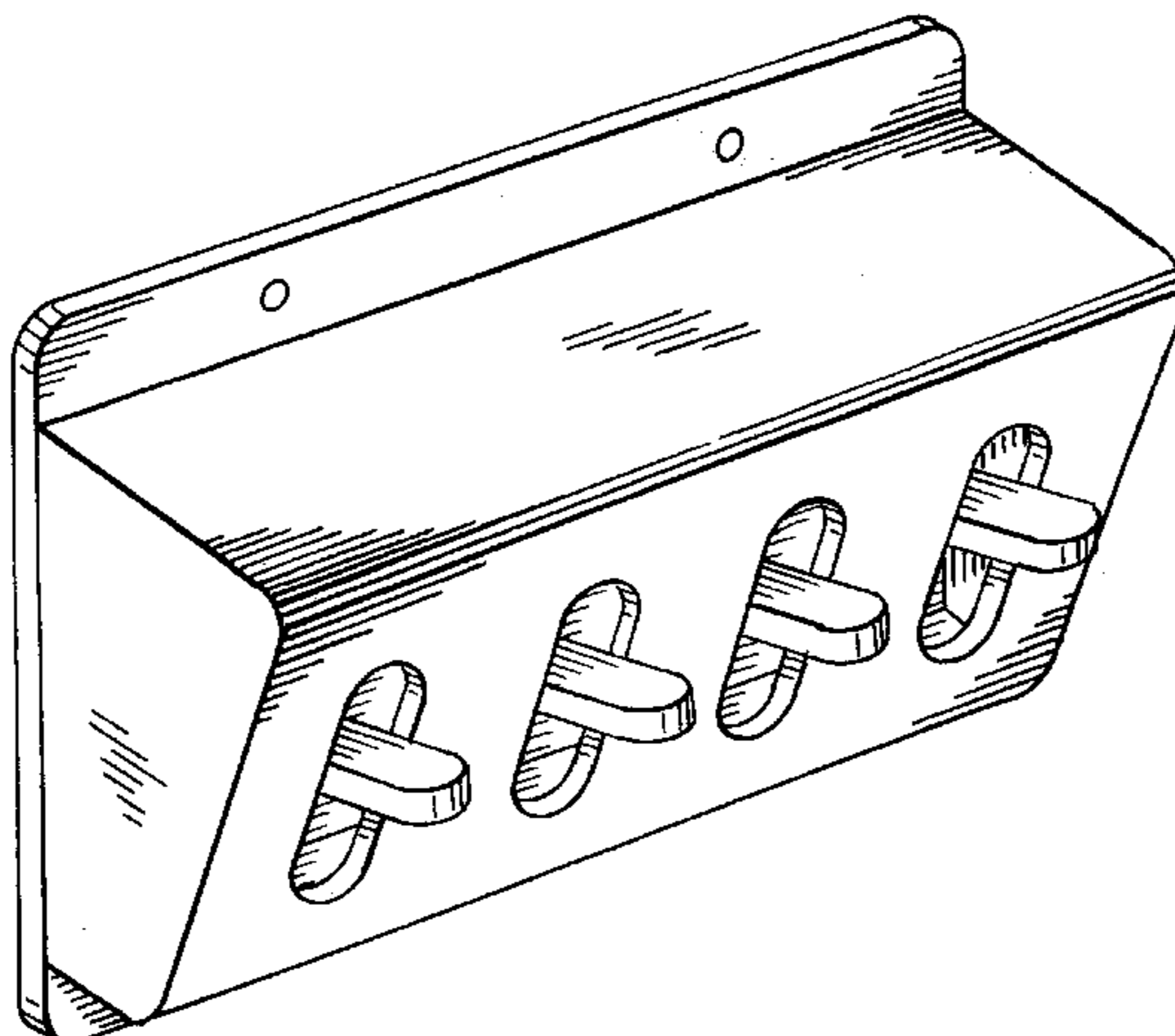
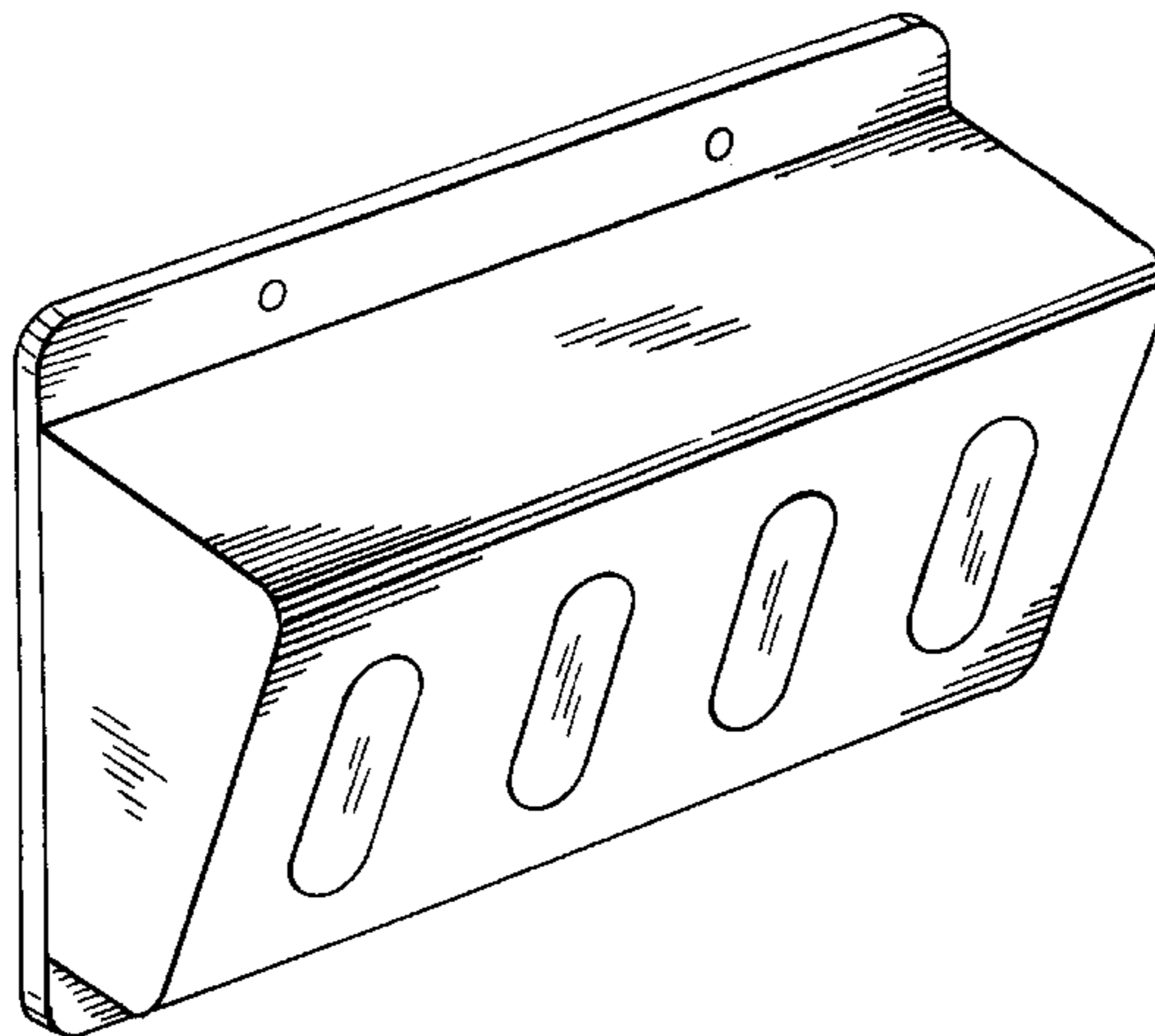


FIG-1

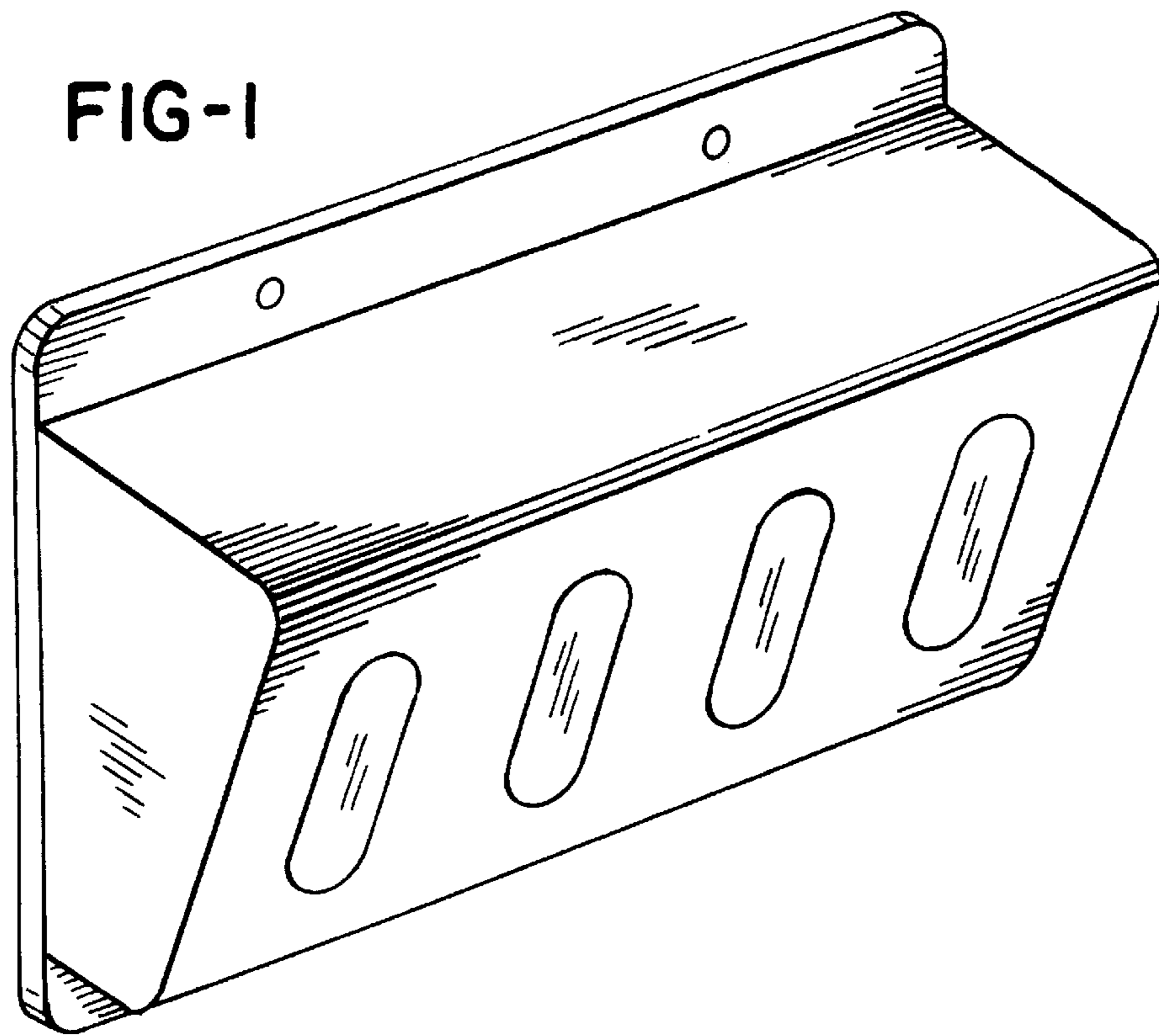


FIG-2

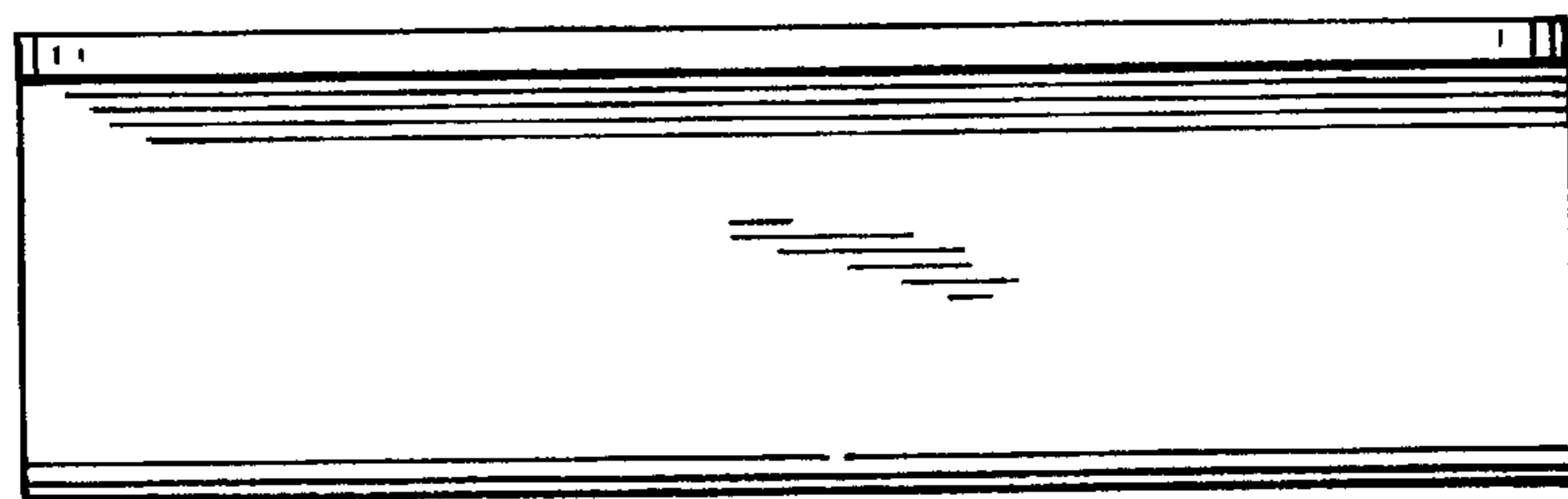


FIG-3

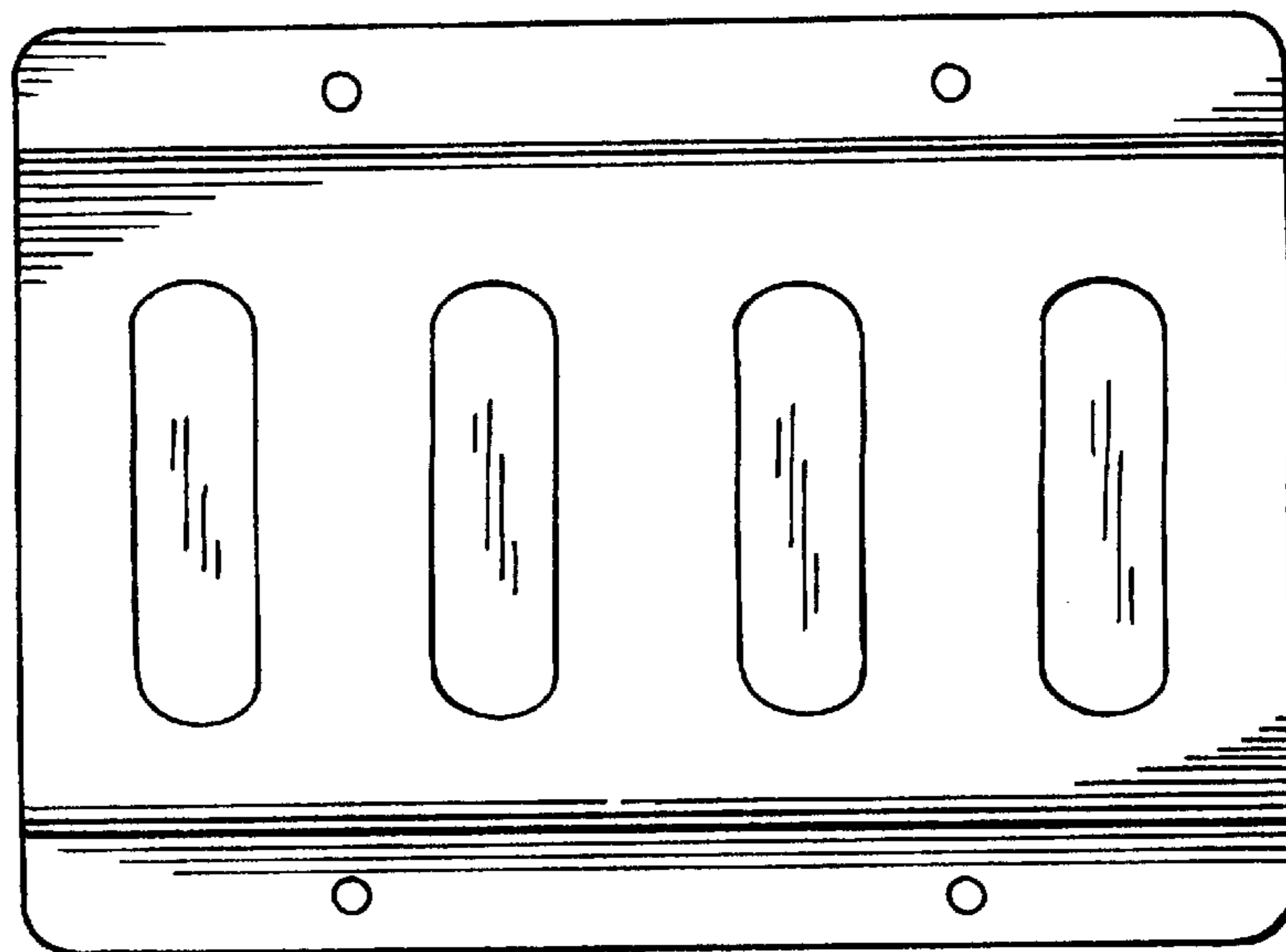


FIG-4

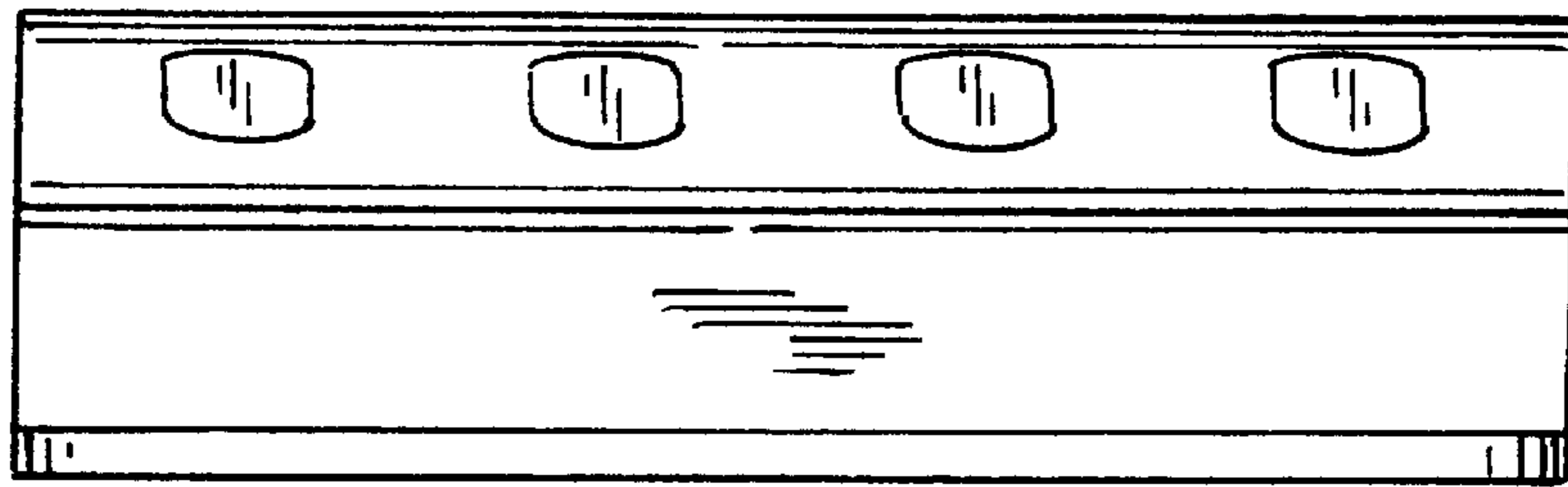


FIG-5

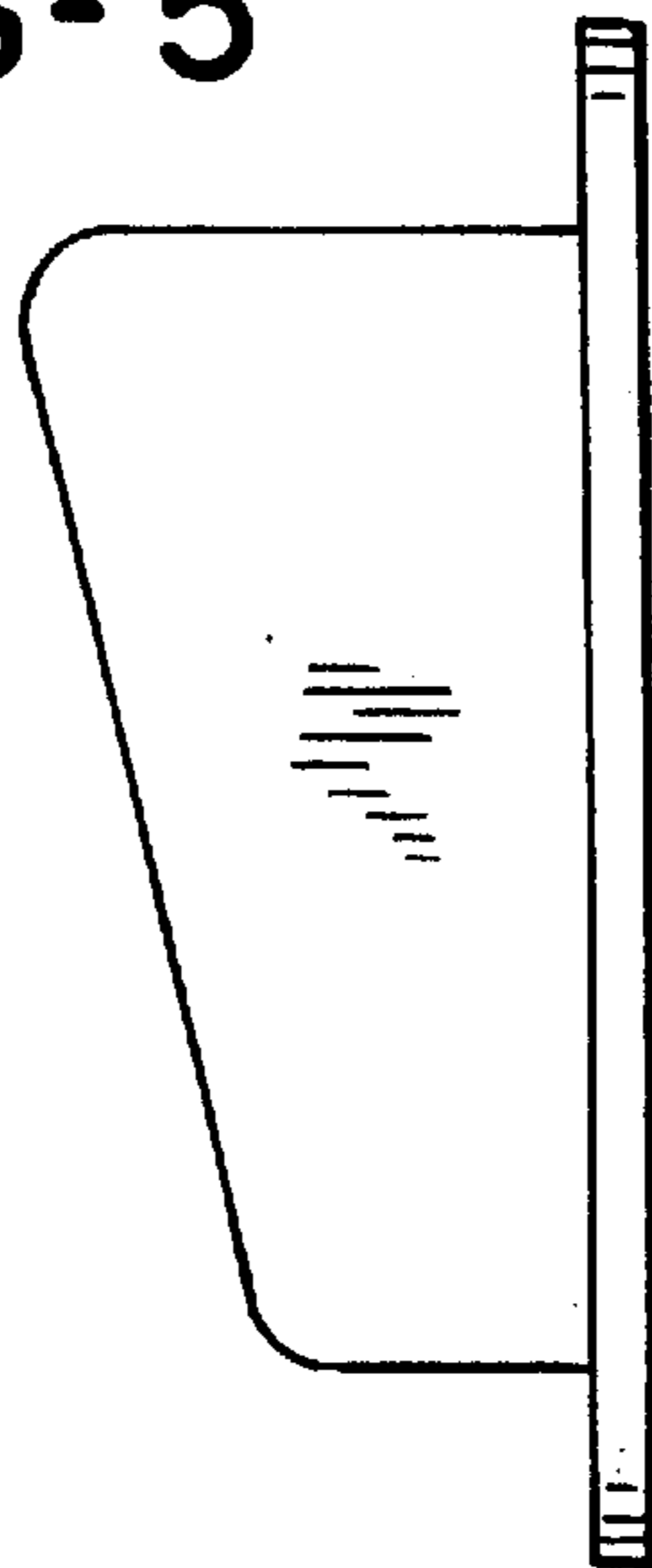


FIG-6

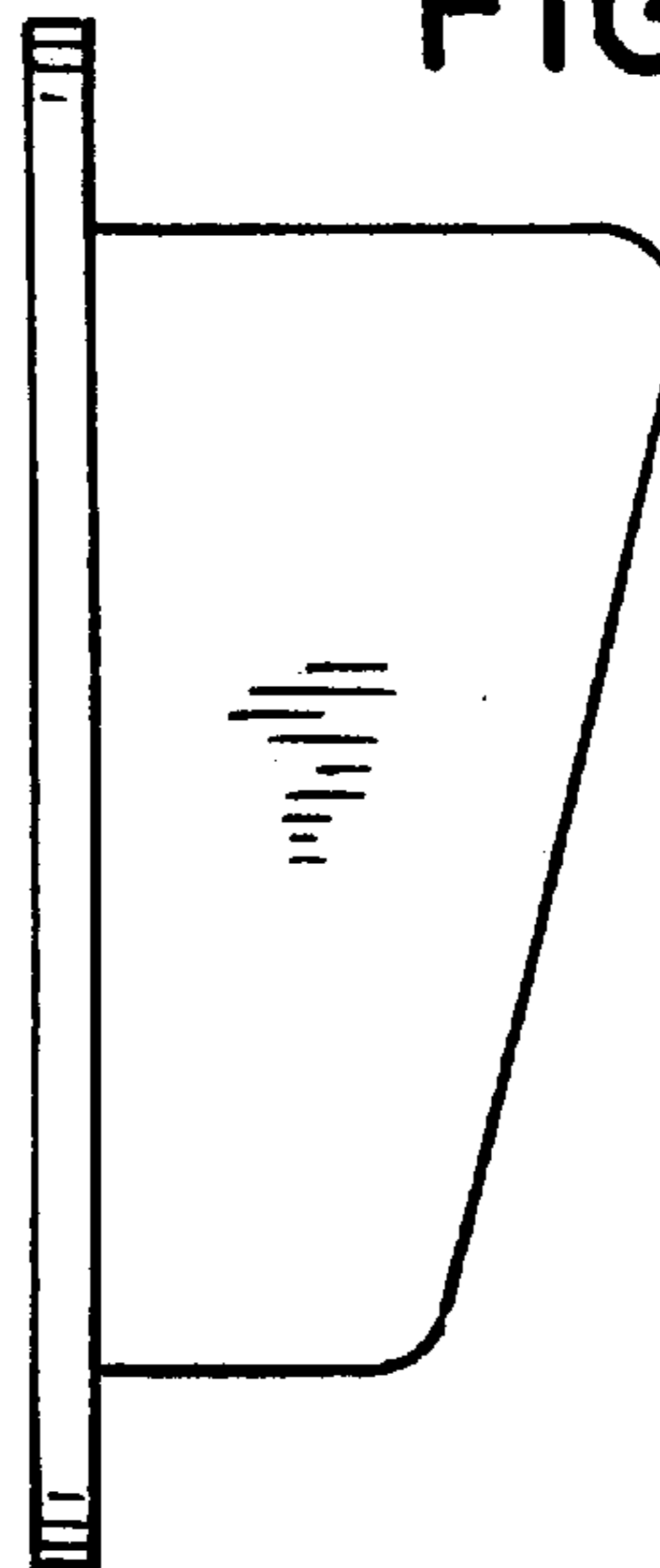


FIG-7

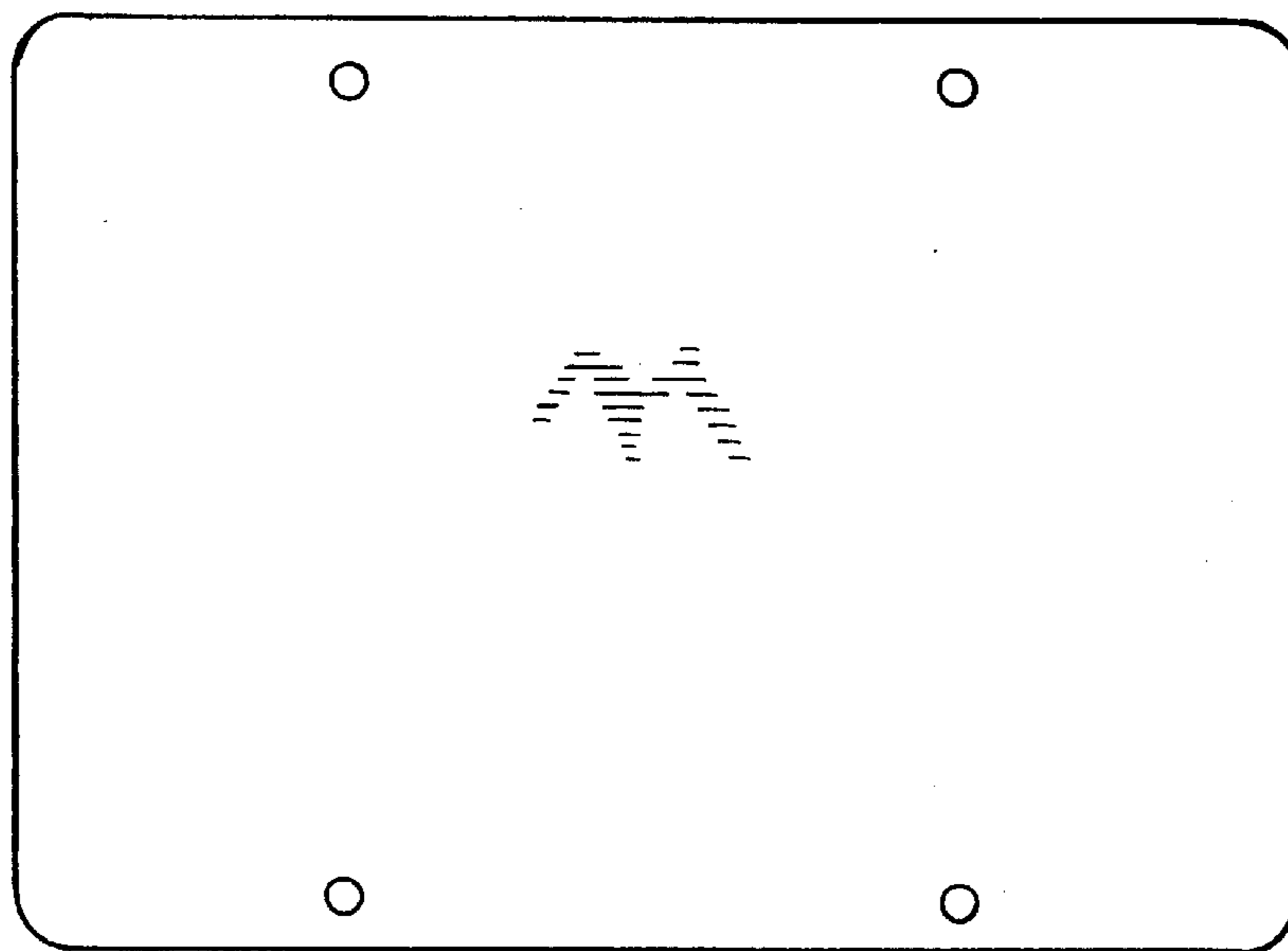


FIG-8

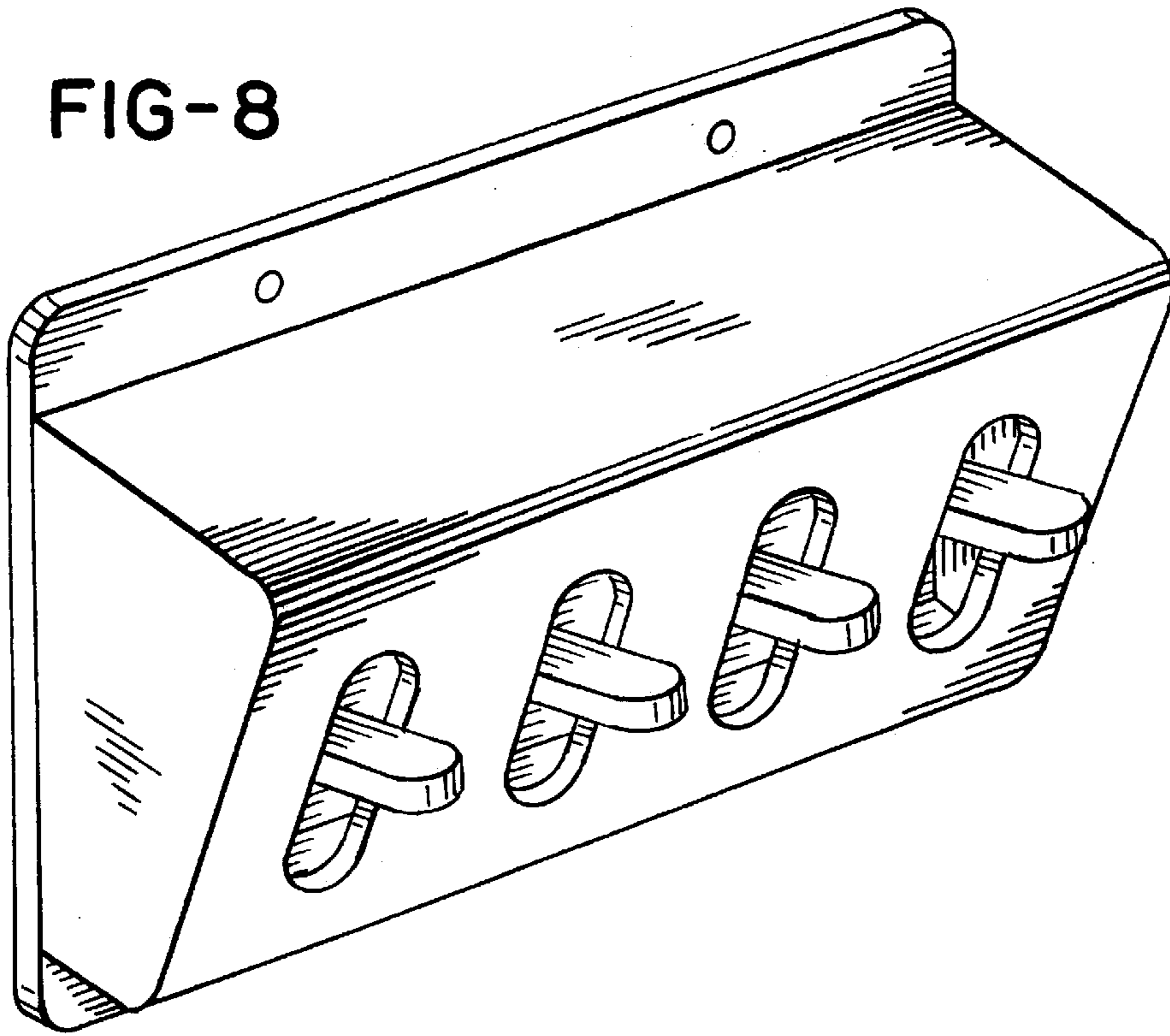


FIG-9

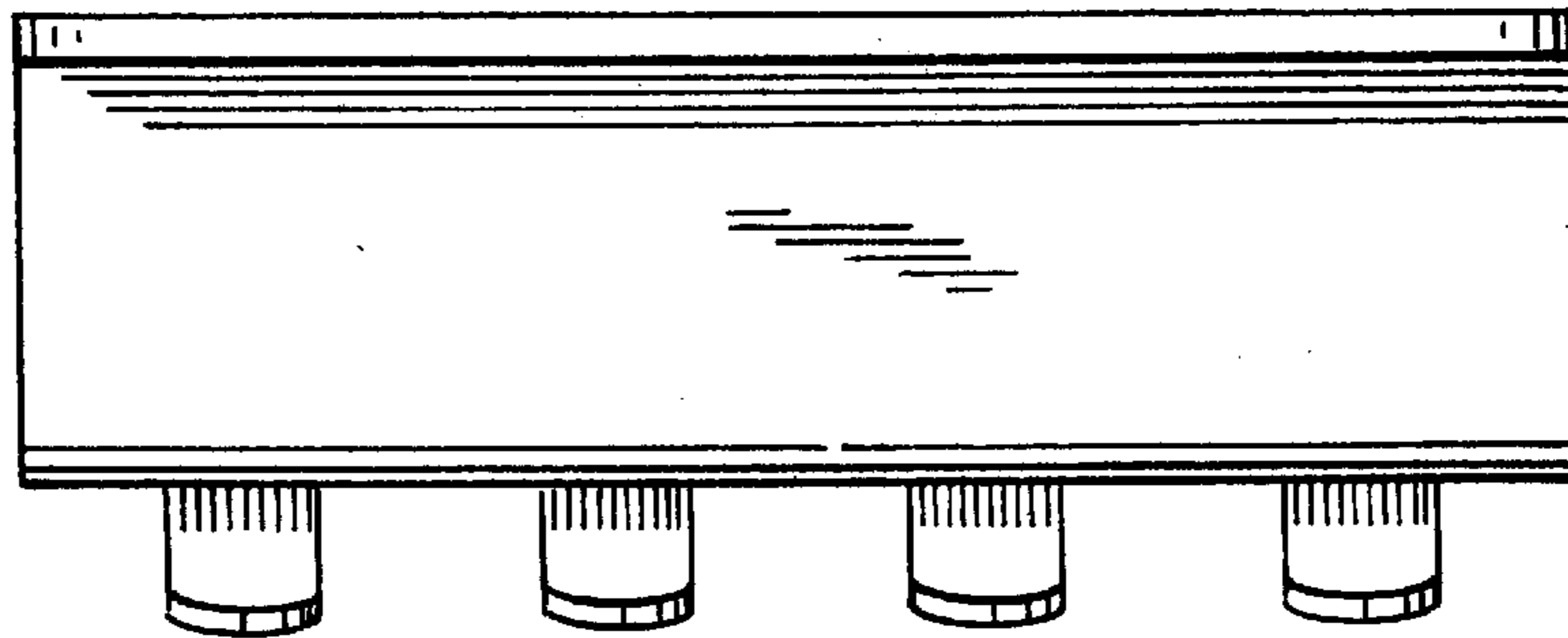


FIG-10

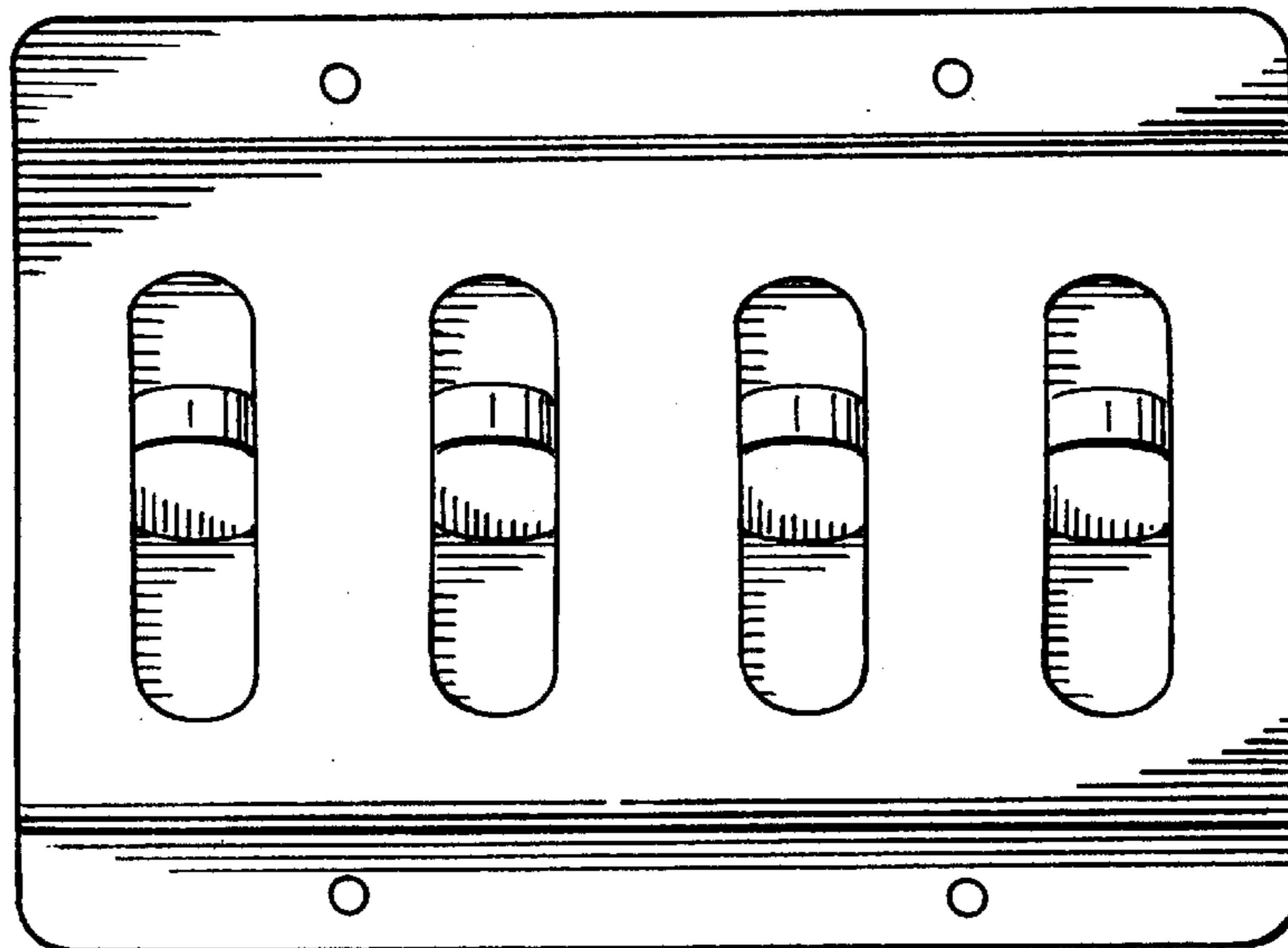


FIG-11

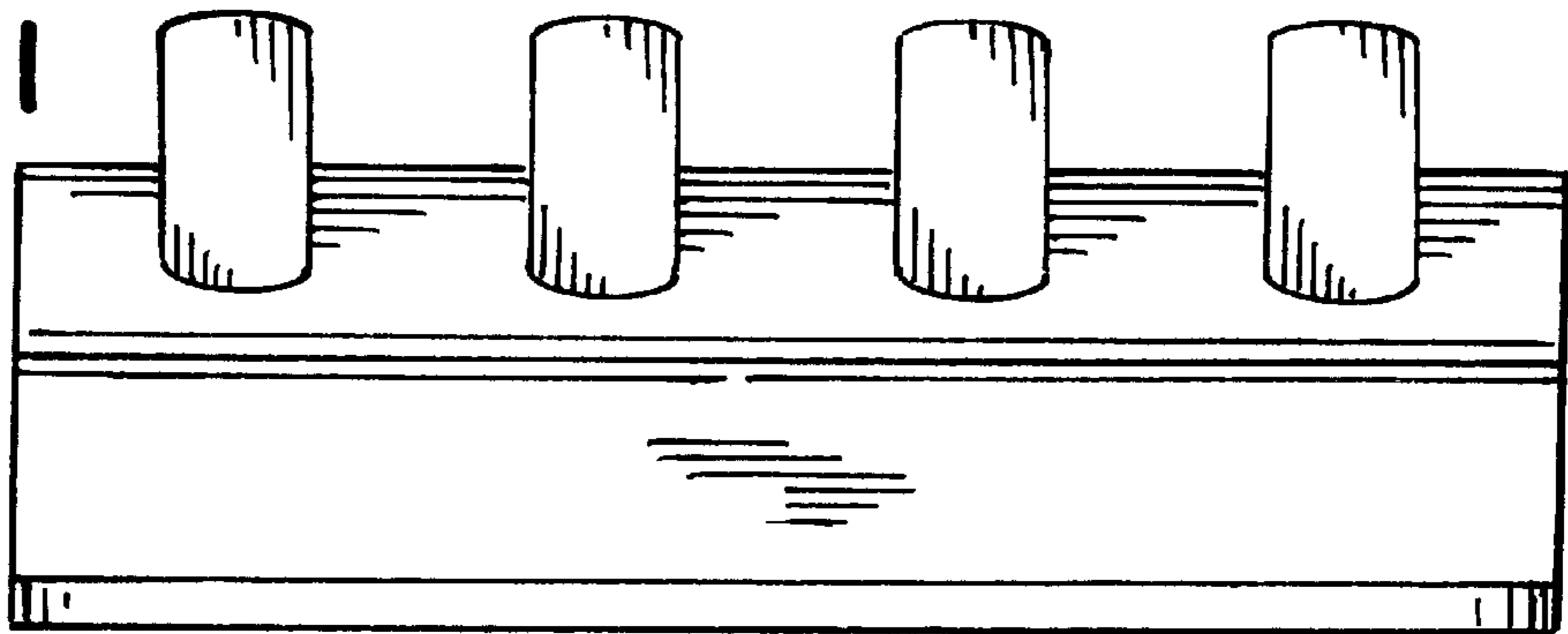


FIG-12

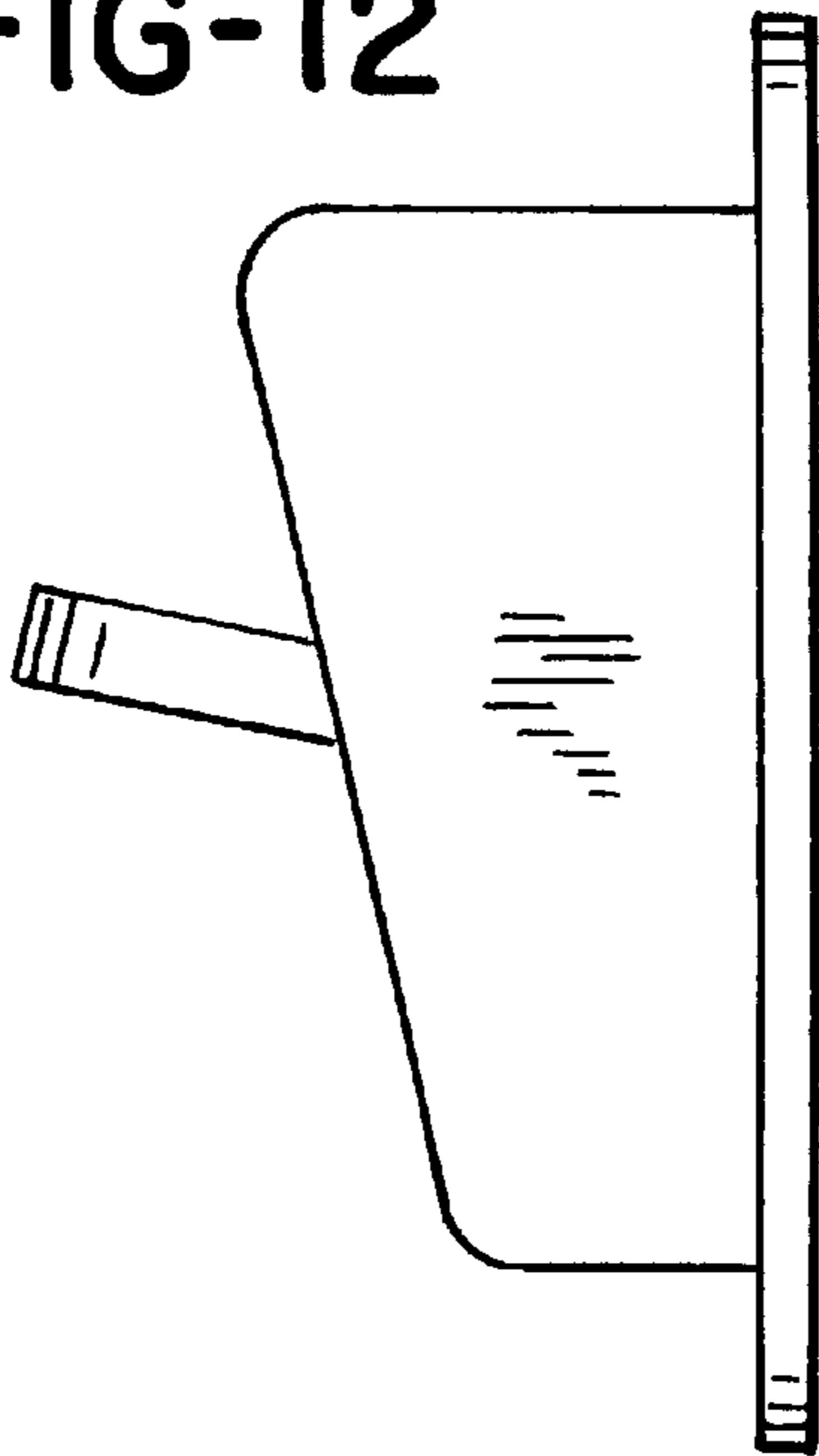


FIG-13

