



US00D450459B1

(12) **United States Design Patent**
Woodnorth et al.

(10) **Patent No.:** **US D450,459 S**

(45) **Date of Patent:** **** Nov. 20, 2001**

(54) **PAINT BRUSH**

(75) Inventors: **Brian E. Woodnorth**, Whitefish Bay, WI (US); **Brian C. Bone**, Creve Coeur, **Heath A. Doty**, Richmond Heights, both of MO (US); **Kent P. Ritzel**, Waterloo, IL (US); **William Dean Ungar**, St. Louis, MO (US)

(73) Assignee: **Newell Operating Company**, Freeport, IL (US)

(**) Term: **14 Years**

(21) Appl. No.: **29/121,049**

(22) Filed: **Mar. 30, 2000**

(51) **LOC (7) Cl.** **04-04**

(52) **U.S. Cl.** **D4/138**

(58) **Field of Search** D4/132, 135, 138;
15/143.1, 159.1, 160, 168, 166, 191.1,
192-195; 16/110.1, 430

(56) **References Cited**

U.S. PATENT DOCUMENTS

D. 31,122	*	7/1899	Kelly	D4/138
D. 216,247		12/1969	McGuire	.	
D. 223,017	*	2/1972	Pharris et al.	D4/138
D. 333,217		2/1993	Gingras	.	
D. 347,327	*	5/1994	Ricciarelli et al.	D4/138
D. 367,963	*	3/1996	Mayer	D4/138
412,479		10/1889	Davis	.	
1,687,335		10/1928	Jackline	.	
1,826,165		10/1931	Cartwright	.	
2,237,969		4/1941	Olsen	.	
2,426,315		8/1947	Marick	.	
2,664,582		1/1954	Kammann	.	
3,023,439		3/1962	Danley	.	

(List continued on next page.)

FOREIGN PATENT DOCUMENTS

2 256 856		5/1974	(DE)	.
27 35 542		2/1979	(DE)	.

351858	7/1931	(GB)	.
844124	8/1960	(GB)	.
2050156	1/1981	(GB)	.
6-266193	8/1994	(JP)	.
6-85778	12/1994	(JP)	.
WO 93/16846	9/1993	(WO)	.

OTHER PUBLICATIONS

Excerpts from Corona Catalog #17, 1990, 8 pages.
“One Coater Supreme—The Brush That’s Better At Both Ends!”, EZ Paint, 1996, 1 page.

Primary Examiner—Alan P. Douglas

Assistant Examiner—Lavone Tabor

(74) *Attorney, Agent, or Firm*—Foley & Lardner

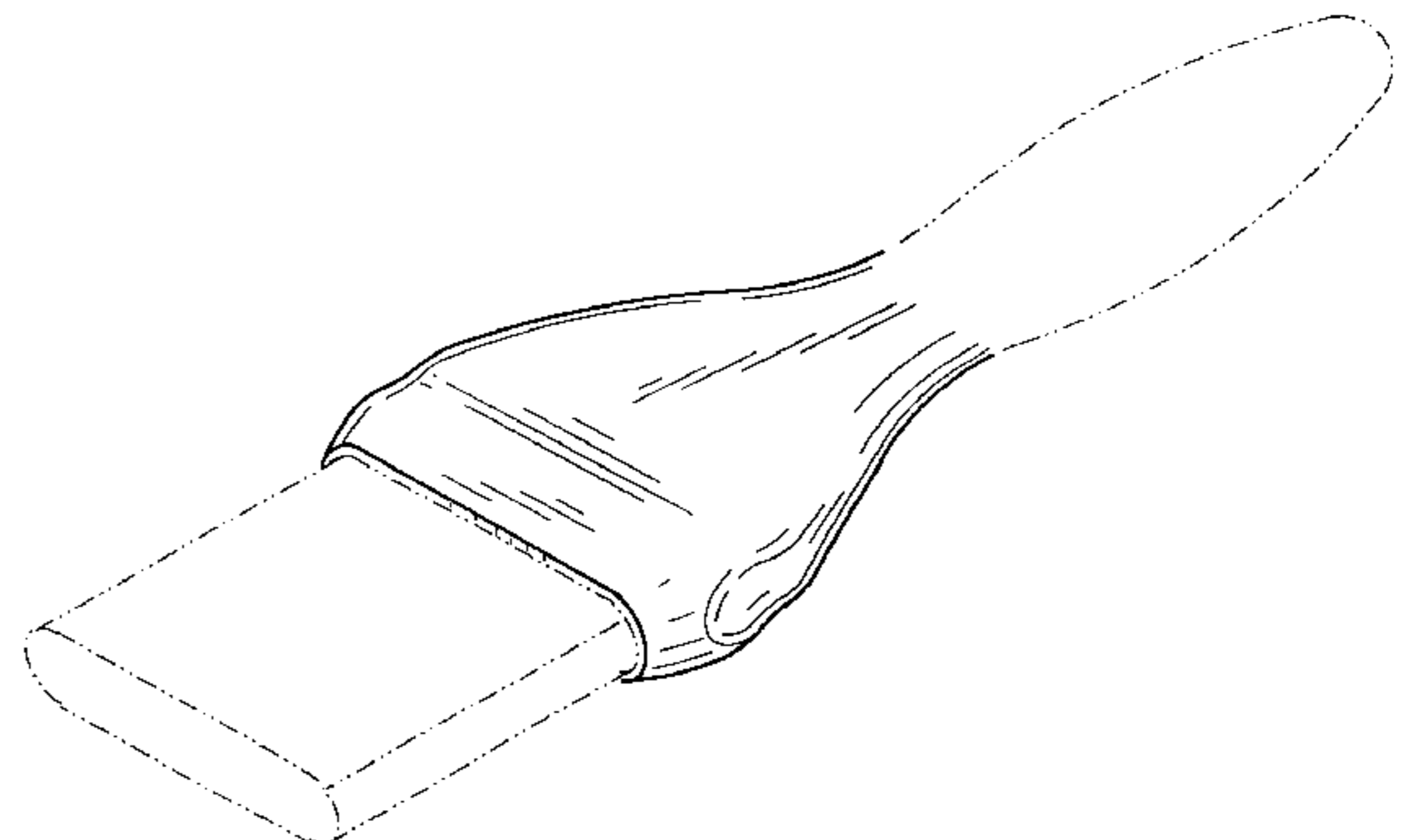
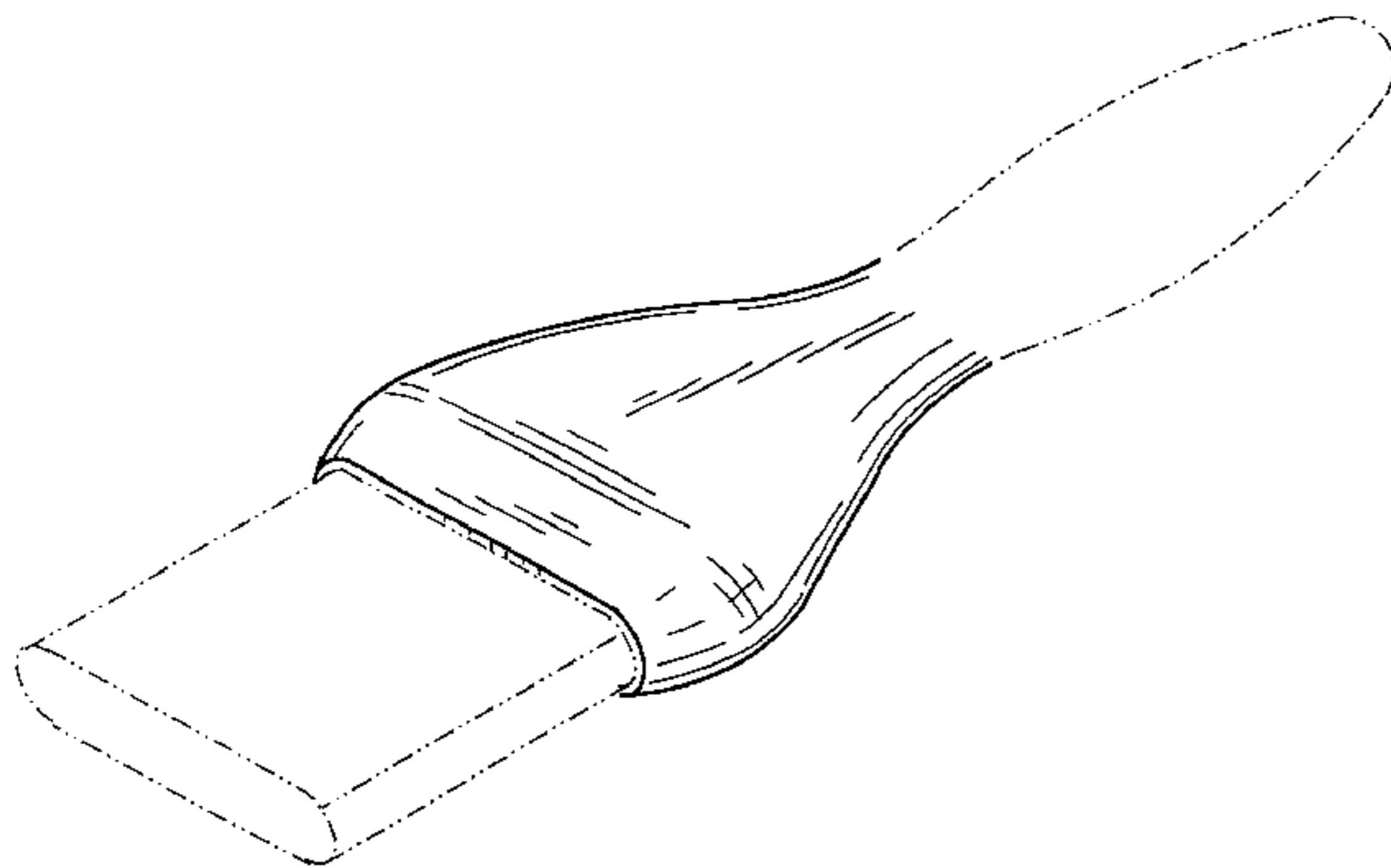
(57) **CLAIM**

The ornamental design for a paint brush, as shown and described.

DESCRIPTION

FIG. 1 is a perspective view of a paint brush of the present invention;
FIG. 2 is a top plan view thereof, the bottom plan view being identical thereto;
FIG. 3 is a left side elevational view thereof, the right side elevational view being identical thereto;
FIG. 4 is a rear elevational view thereof;
FIG. 5 is a front elevational view thereof;
FIG. 6 is a perspective view of an alternative embodiment of the paint brush of FIGS. 1-5;
FIG. 7 is a top plan view of the brush of FIG. 6, the bottom plan view being identical thereto;
FIG. 8 is a left side elevational view of the brush of FIG. 6, the right side elevational view being identical thereto;
FIG. 9 is a rear elevational view of the brush of FIG. 6; and, FIG. 10 is a front elevational view of the brush of FIG. 6. The ornamental design which is claimed is shown in solid lines in the drawings. The broken lines in the drawings are for illustrative purposes only and form no part of the claimed design.

1 Claim, 2 Drawing Sheets



US D450,459 S

Page 2

U.S. PATENT DOCUMENTS

3,067,446	12/1962	McGauley .	5,339,482	8/1994	Desimone et al. .
3,153,801	10/1964	Weiss et al. .	5,446,941	9/1995	Kelsay .
3,819,779	6/1974	Pharris et al. .	5,615,445	4/1997	Kelsay et al. .
4,495,669	1/1985	Hooper .	5,761,759	6/1998	Leversby et al. .
4,751,762	6/1988	Meimeteas .	5,920,943	7/1999	Barker .
4,847,939	7/1989	Derencsenyi et al. .			

* cited by examiner

FIG. 1

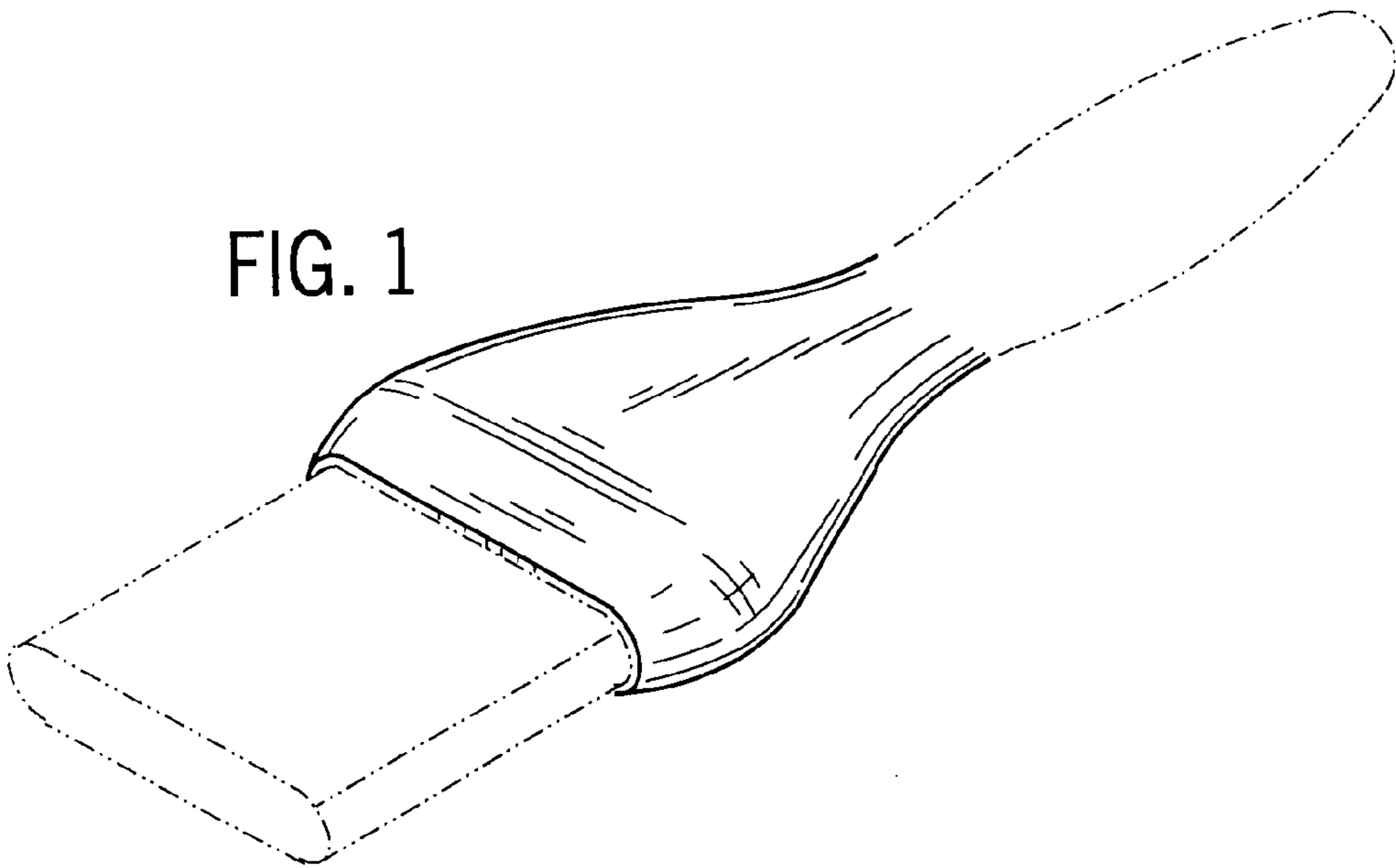


FIG. 2

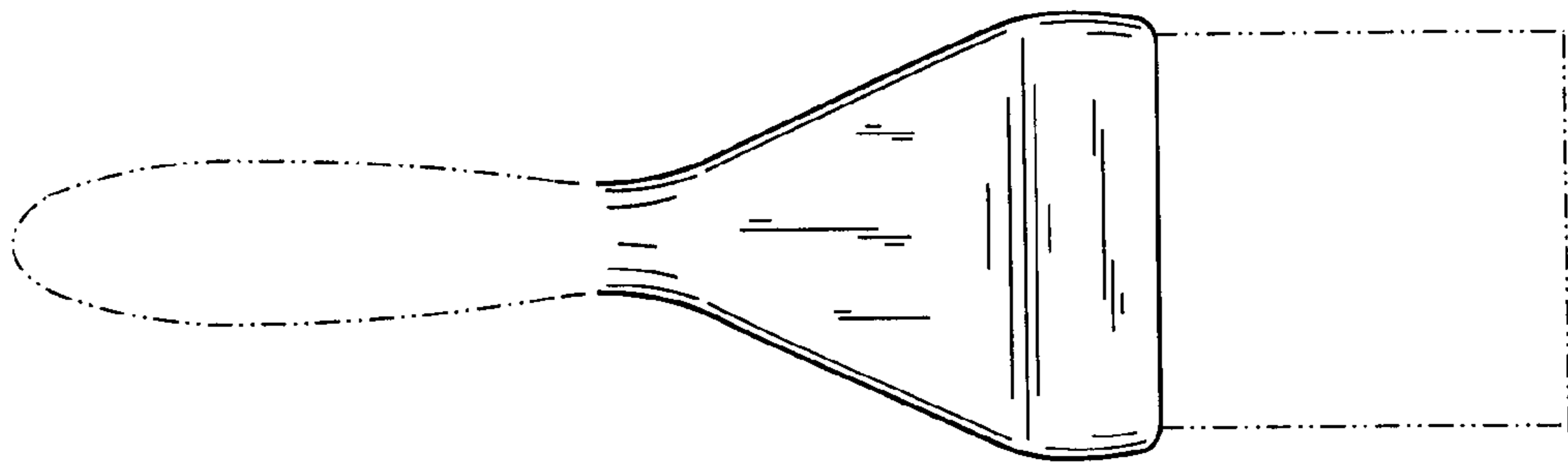


FIG. 3

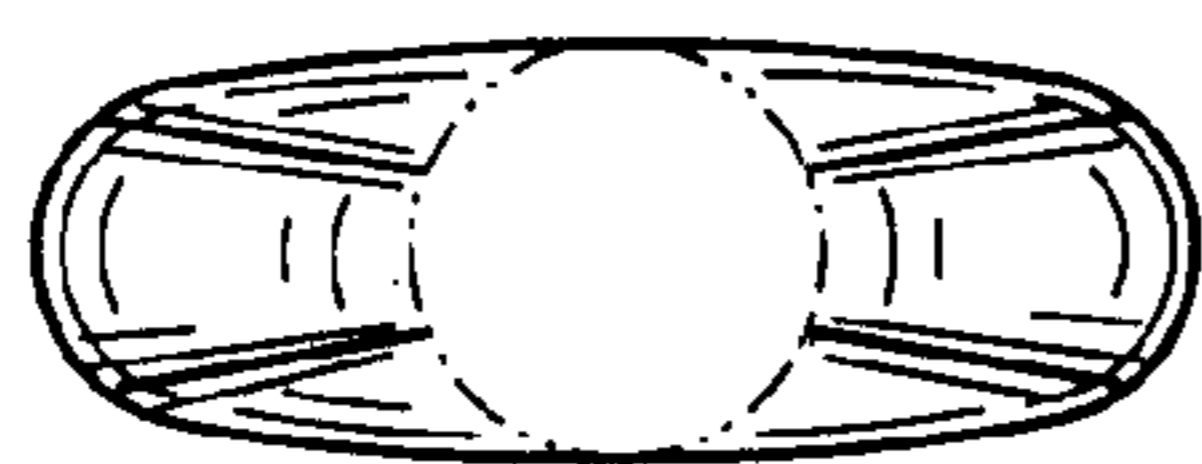
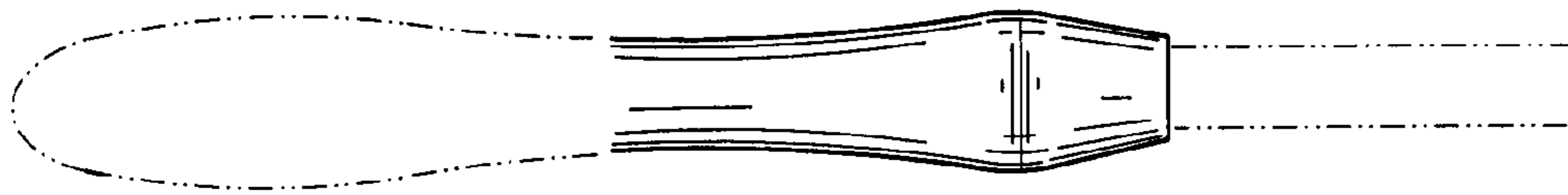


FIG. 4

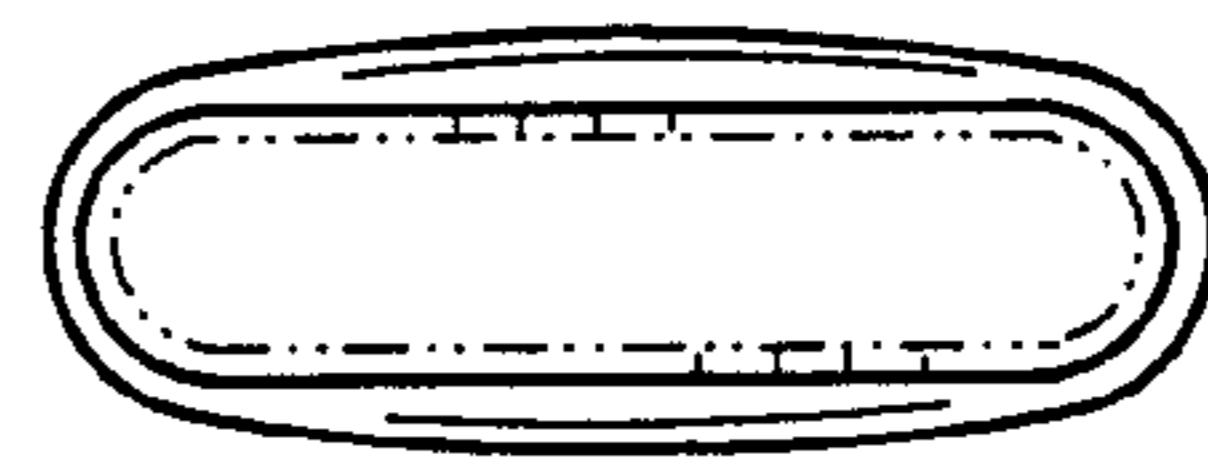


FIG. 5

FIG. 6

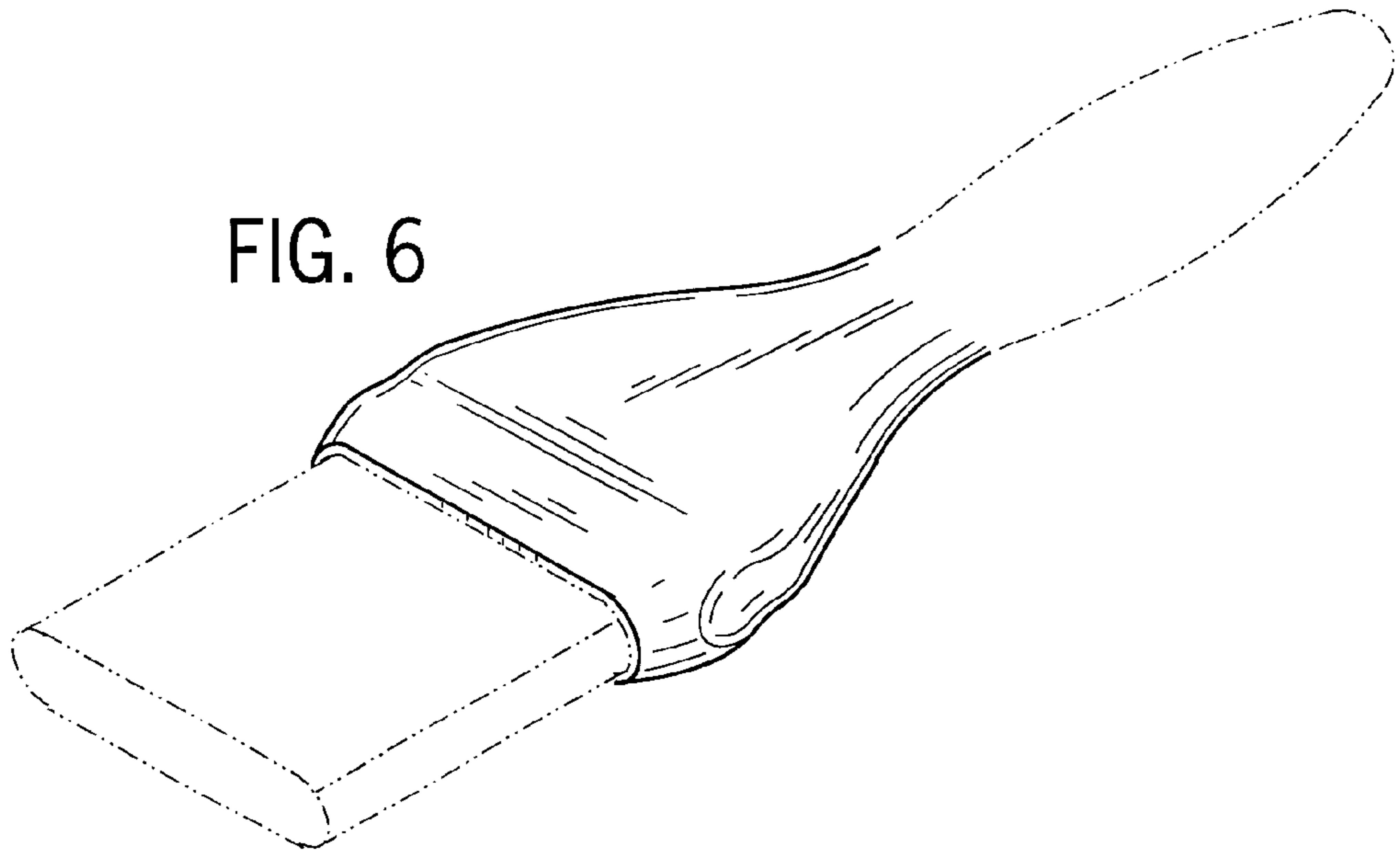


FIG. 7

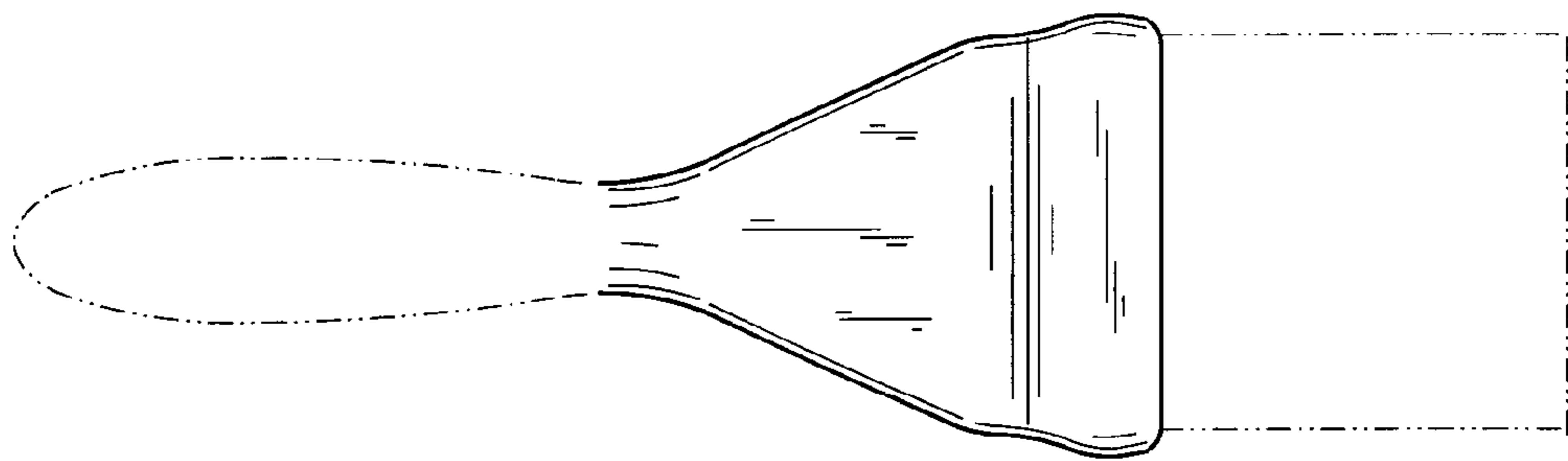


FIG. 8

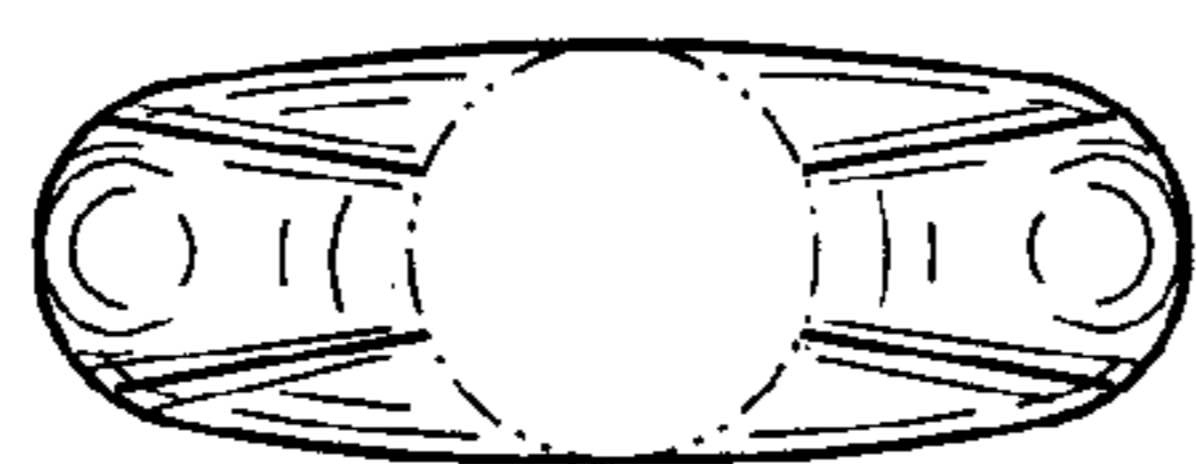
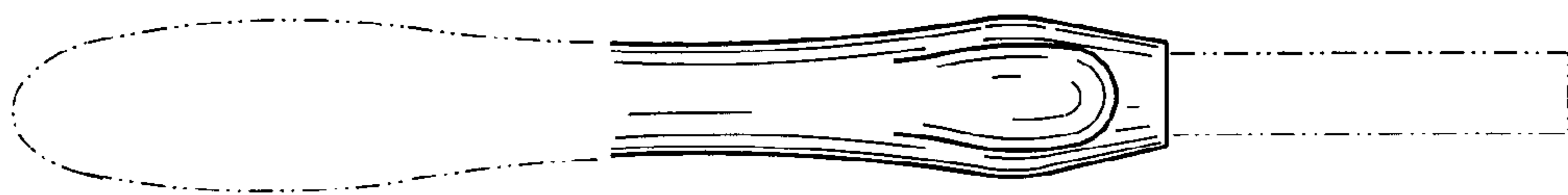


FIG. 9

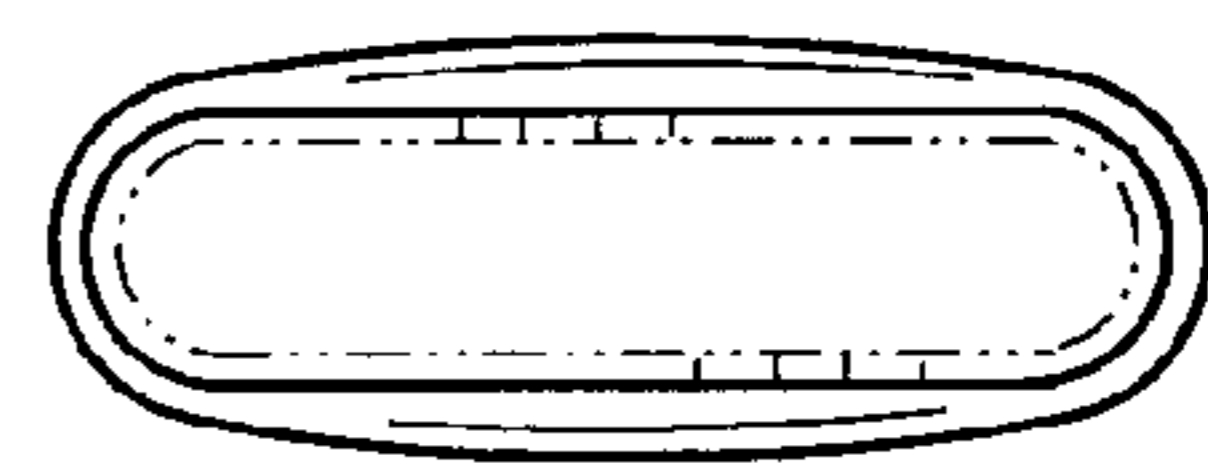


FIG. 10