



US00D450458B1

(12) **United States Design Patent**
Varriale

(10) **Patent No.:** **US D450,458 S**

(45) **Date of Patent:** **** Nov. 20, 2001**

(54) **HAIR BRUSH HEAD**

(75) Inventor: **Luciano Varriale**, Turin (IT)

(73) Assignee: **Gemelli Enterprises, L.L.C.**, Houston, TX (US)

(**) Term: **14 Years**

(21) Appl. No.: **29/130,515**

(22) Filed: **Oct. 3, 2000**

(51) **LOC (7) Cl.** **04-02**

(52) **U.S. Cl.** **D4/128; D4/131**

(58) **Field of Search** D4/127, 128, 131, D4/133; D28/35; 15/23, 27, 206, 159.1, 160; 132/120, 226, 271, 313

(56) **References Cited**

U.S. PATENT DOCUMENTS

D. 238,631	*	2/1976	Leighton	D4/128
D. 366,761	*	2/1996	Gertsma et al.	D4/128
D. 430,348	*	8/2000	Moreno	D4/128 X
3,355,759	*	12/1967	Sloan	15/206

* cited by examiner

Primary Examiner—Alan P. Douglas

Assistant Examiner—Lavone Tabor

(57) **CLAIM**

The ornamental design for a hair brush head, as shown and described.

DESCRIPTION

FIG. 1 is a front view of a hair brush head constructed in accordance with the teachings of the present invention.

FIG. 2 is a right side view of the brush head of FIG. 1.

FIG. 3 is a back view of the brush head of FIG. 1.

FIG. 4 is a left side view of the brush head of FIG. 1.

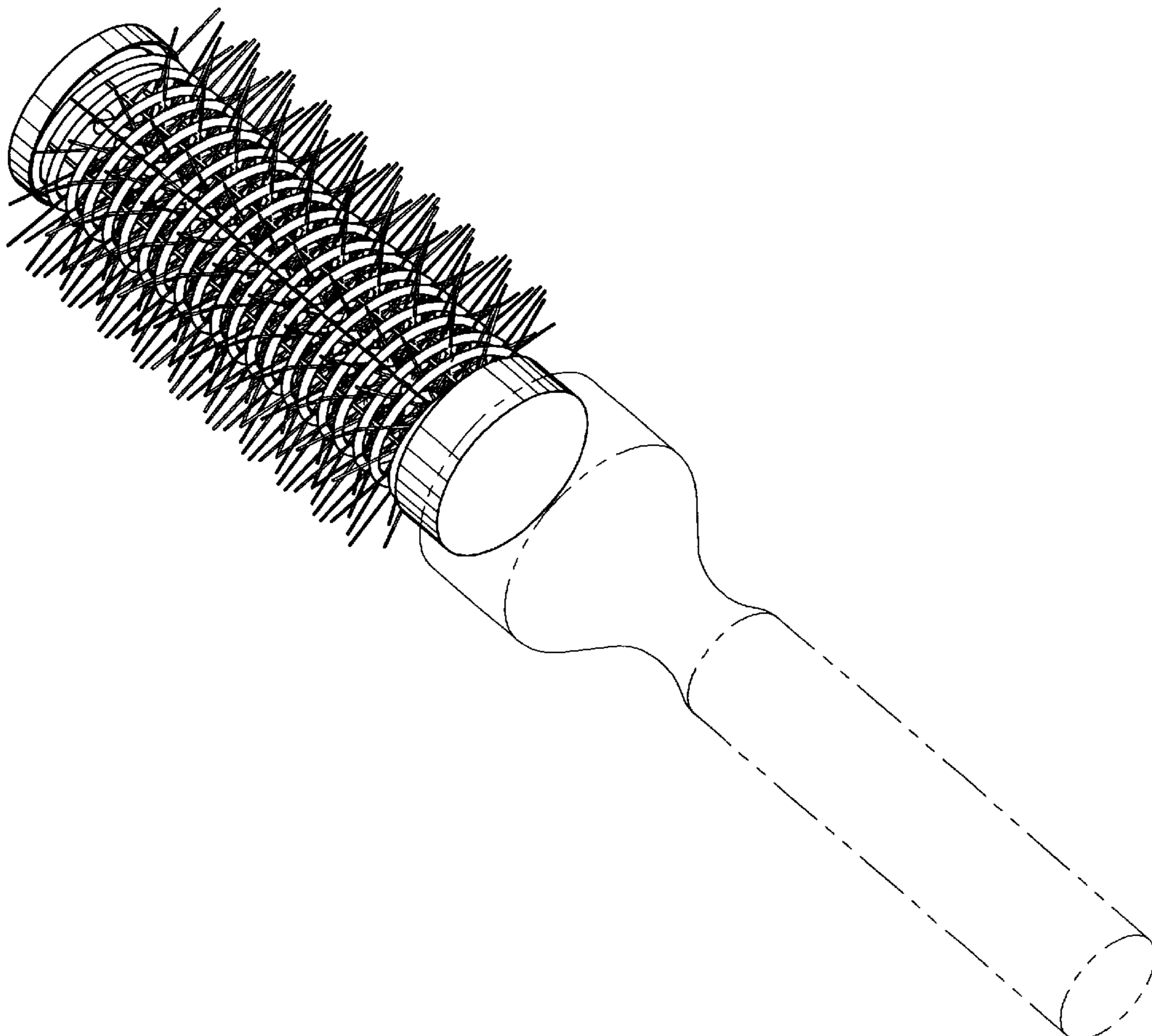
FIG. 5 is an isometric view of the brush handle of FIG. 1 looking from the handle end.

FIG. 6 is an enlarged top end view of the brush head of FIG. 1; and,

FIG. 7 is an enlarged bottom/handle end view of the brush head of FIG. 1.

It will be further understood that the broken line showing the handle throughout the drawings is for illustrative purposes only and forms no part of the subject invention.

1 Claim, 4 Drawing Sheets



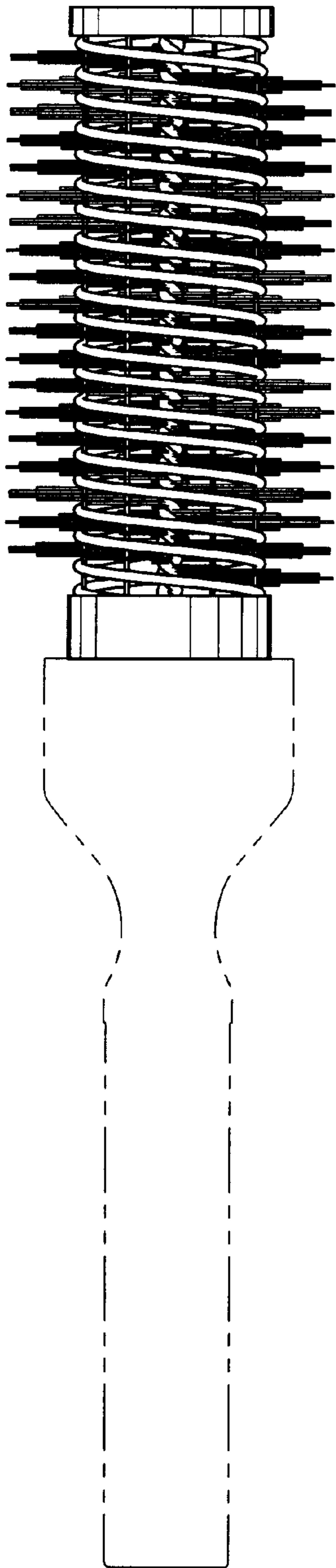


Fig. 1

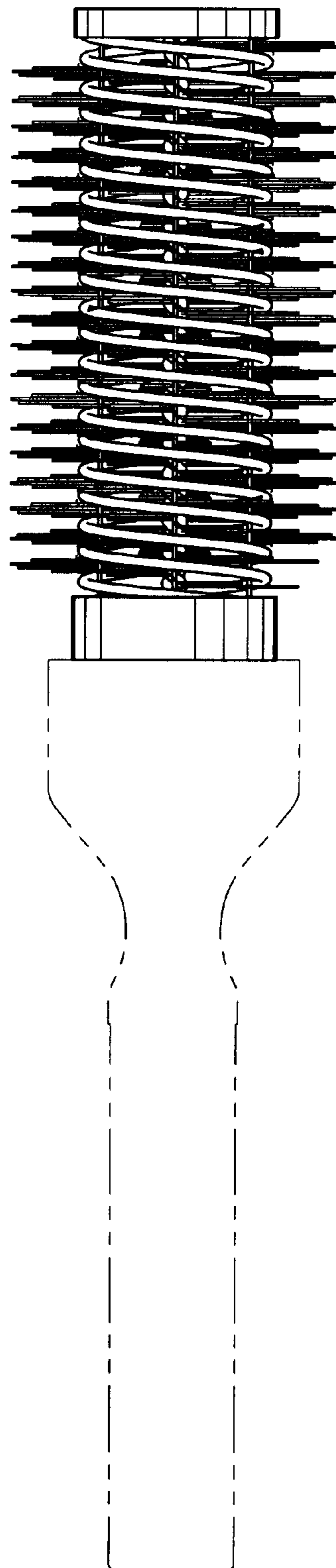


Fig. 2

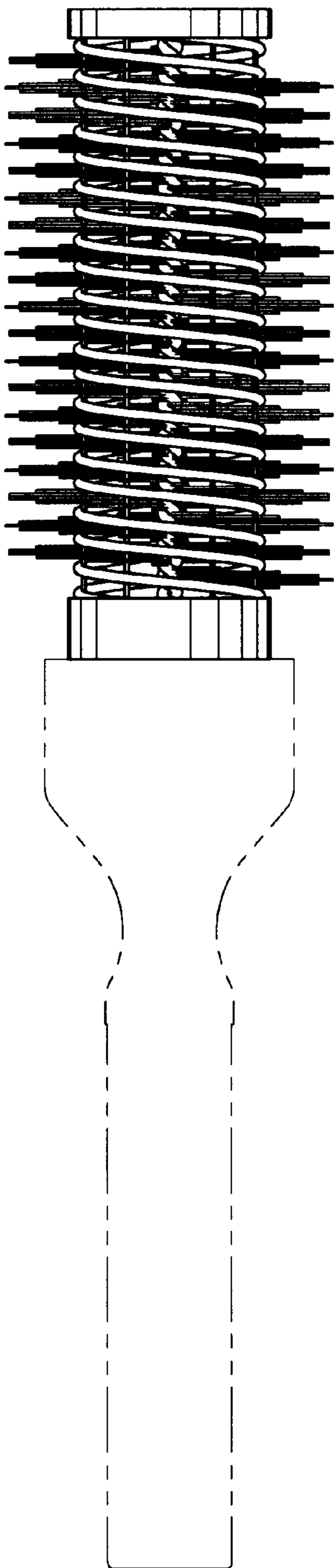


Fig. 3

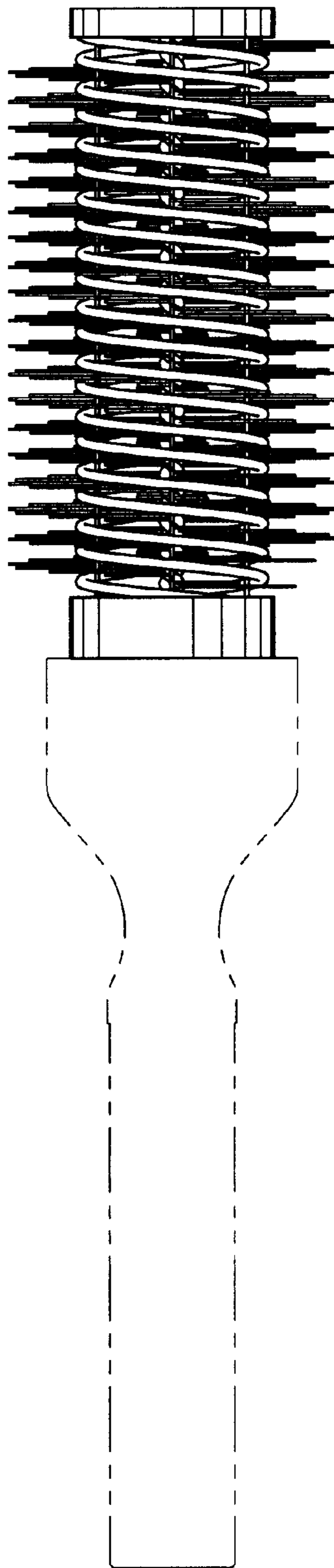
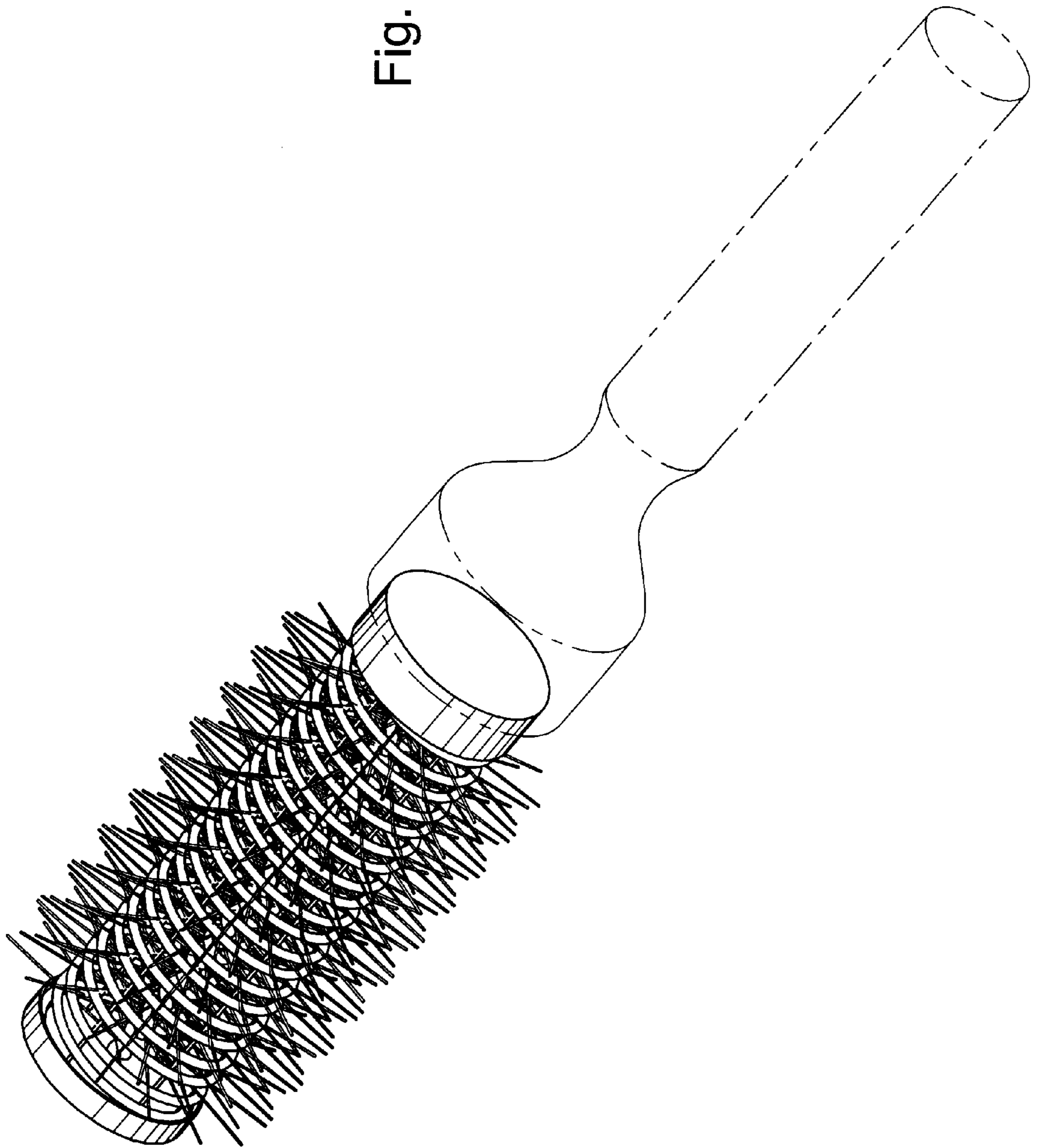


Fig. 4

Fig. 5



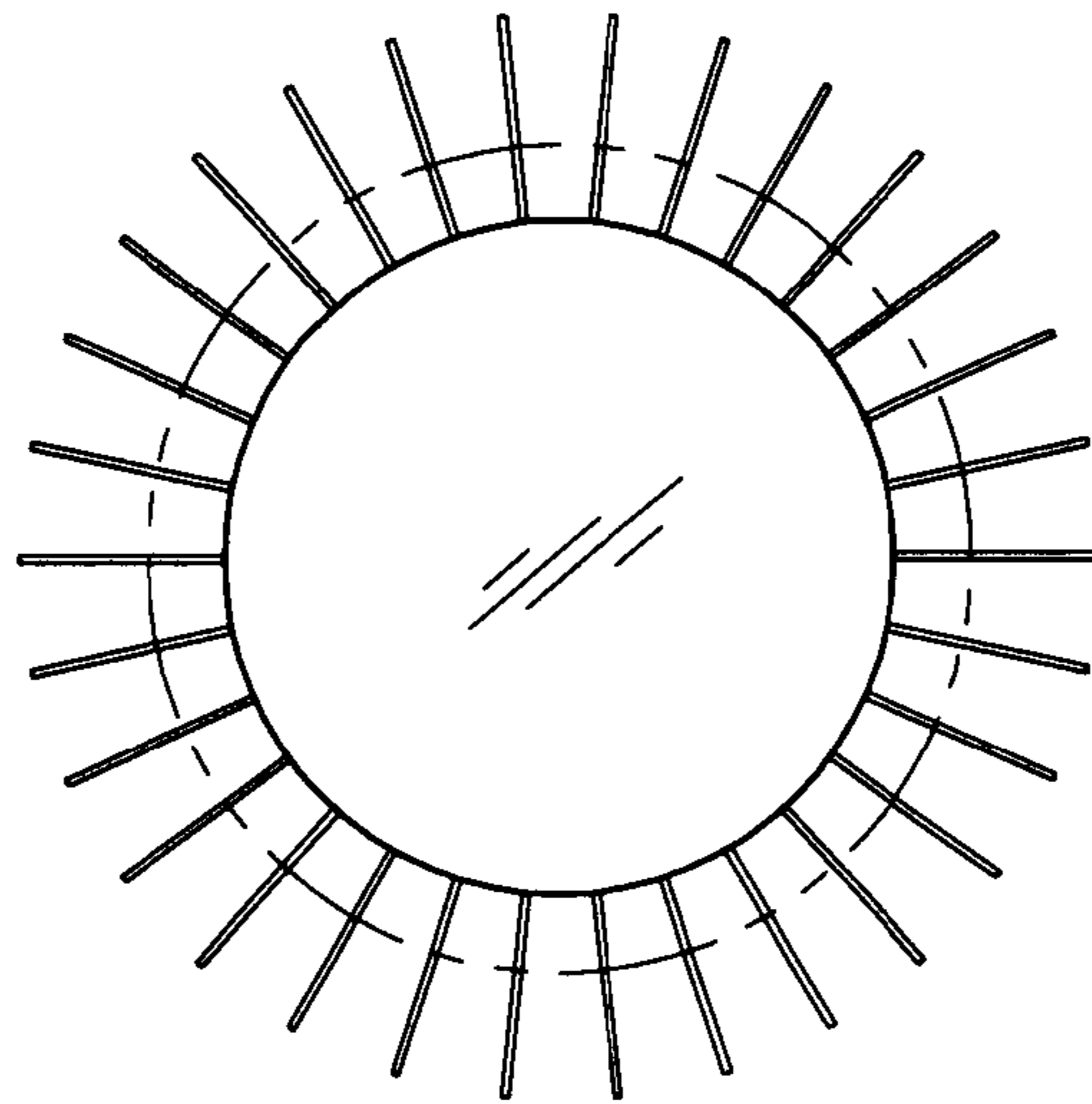


Fig. 6

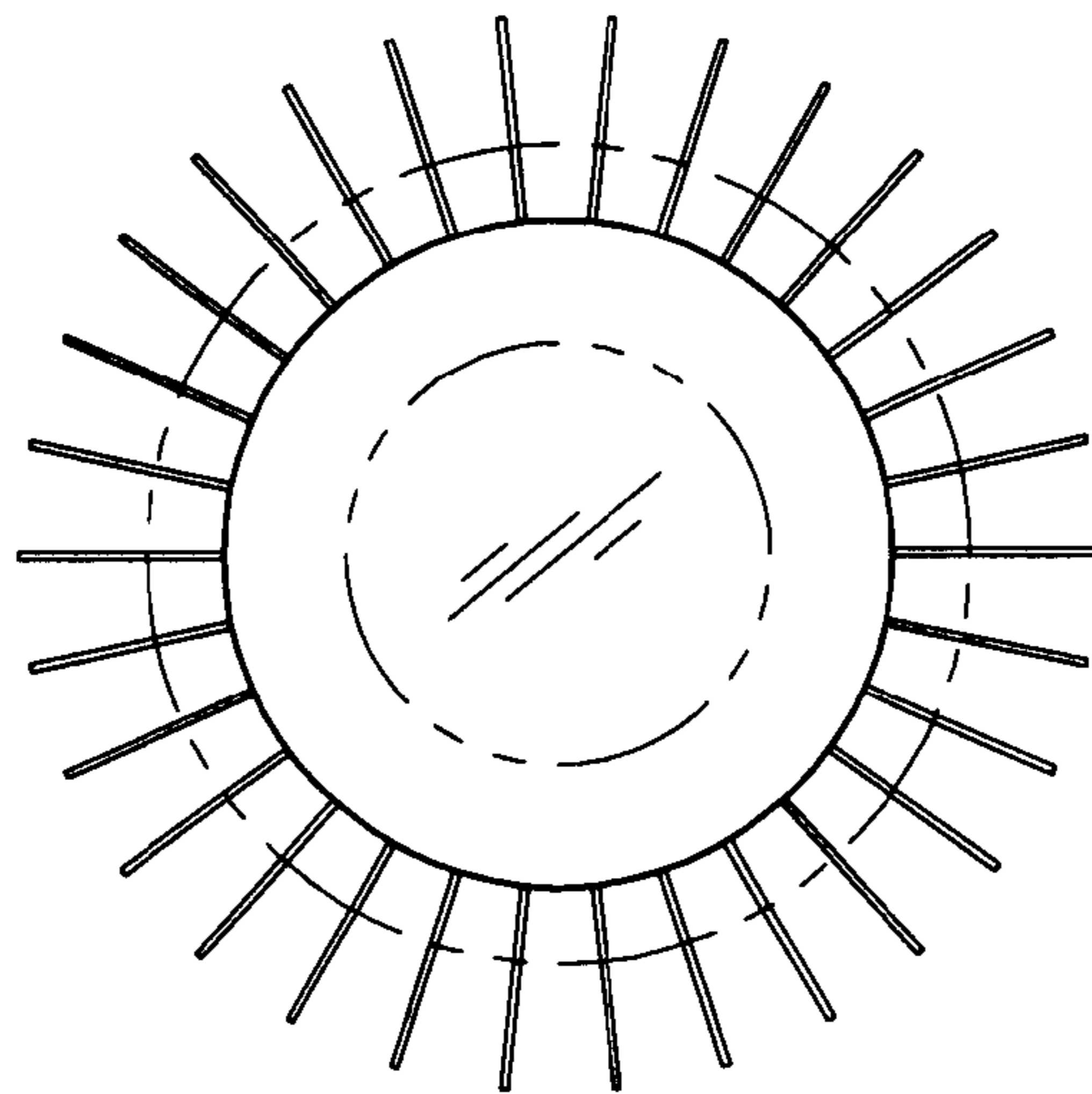


Fig. 7