



US00D450455B1

(12) **United States Design Patent**
Dembicks

(10) **Patent No.:** **US D450,455 S**

(45) **Date of Patent:** **** Nov. 20, 2001**

- (54) **TEN COMPARTMENT TRAY**
- (75) **Inventor:** **Tyler J. Dembicks**, Raleigh, NC (US)
- (73) **Assignee:** **The Andrews Company**, Boca Raton, FL (US)
- (**) **Term:** **14 Years**
- (21) **Appl. No.:** **29/127,531**
- (22) **Filed:** **Aug. 8, 2000**
- (51) **LOC (7) Cl.** **03-01**
- (52) **U.S. Cl.** **D3/313**
- (58) **Field of Search** D3/303-315, 203, D3/201; D15/90; 206/561, 559, 558; 220/507; D7/553.1; D9/347, 341

- 2,313,394 3/1943 Norris .
- 4,872,559 10/1989 Schoon .
- 4,887,790 12/1989 Wilkinson et al. .
- 5,753,456 5/1998 Naqui et al. .

* cited by examiner

Primary Examiner—Catherine R. Oliver
(74) *Attorney, Agent, or Firm*—Akerman Senterfitt

(57) **CLAIM**

The ornamental design for a ten compartment tray, as shown and described.

DESCRIPTION

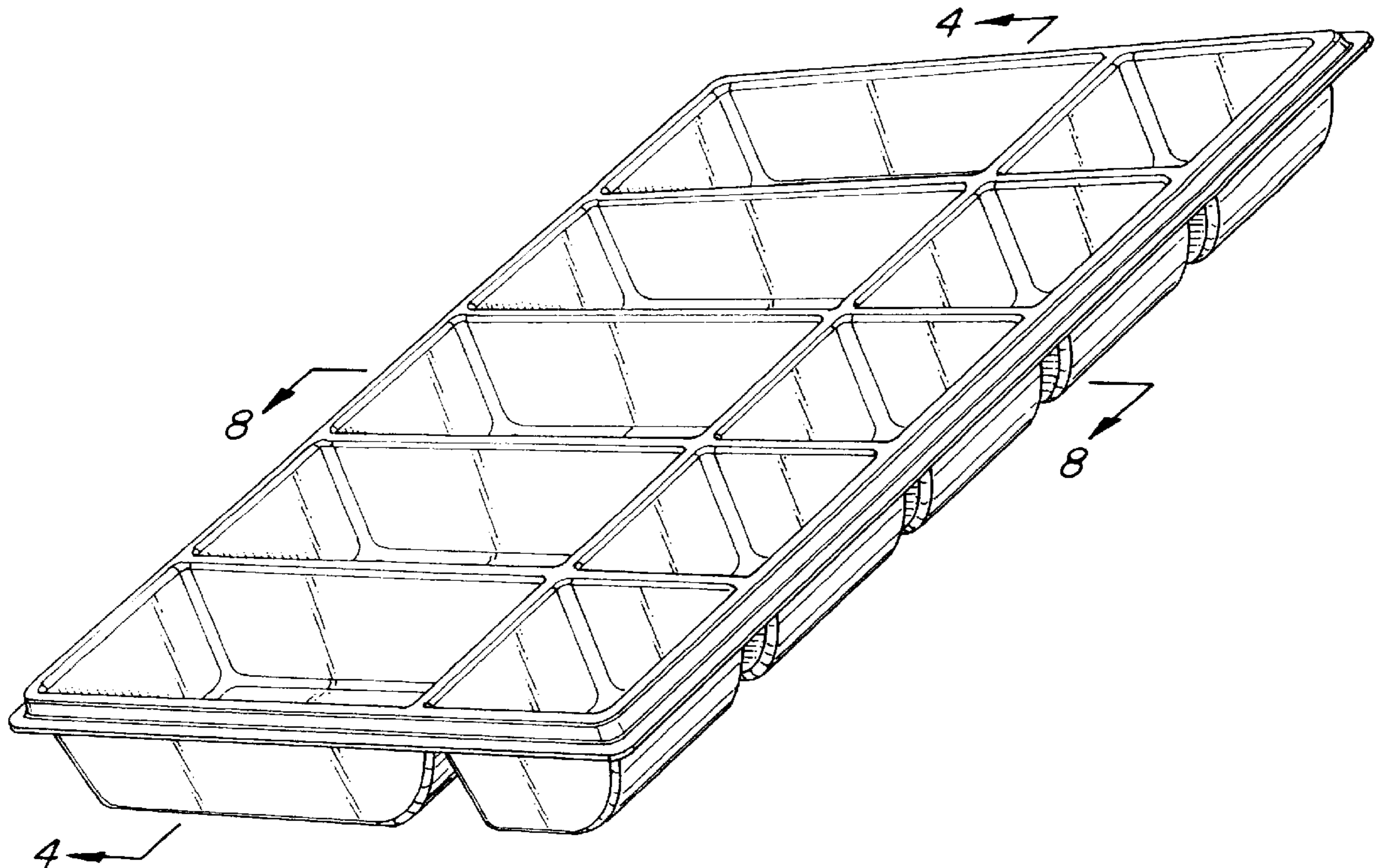
FIG. 1 is a perspective view of the ten compartment tray according to the subject invention.
 FIG. 2 is a rear view of the ten compartment tray in FIG. 1.
 FIG. 3 is a front view of the ten compartment tray in FIG. 1.
 FIG. 4 is a sectional view of the ten compartment tray taken along line 4-4 in FIG. 1.
 FIG. 5 is a top view of the ten compartment tray in FIG. 1.
 FIG. 6 is a bottom view of the ten compartment tray in FIG. 1.
 FIG. 7 is a side view of the ten compartment tray in FIG. 1; and,
 FIG. 8 is a sectional view of the ten compartment tray taken along line 8-8 in FIG. 1.

(56) **References Cited**

U.S. PATENT DOCUMENTS

- D. 278,255 4/1985 Evenson .
- D. 321,074 10/1991 Eby .
- D. 361,508 * 8/1995 Schnack D9/341
- D. 380,961 * 7/1997 Schnack D9/347
- D. 422,141 * 4/2000 Dembicks D3/313
- D. 423,219 * 4/2000 Dembicks D3/313
- D. 424,807 * 5/2000 Dembicks D3/313
- D. 431,110 * 9/2000 Dembicks D3/313
- D. 436,730 * 1/2001 Dembicks D3/313
- D. 437,116 * 2/2001 Dembicks D3/313
- 2,162,162 6/1939 Murguiondo .

1 Claim, 3 Drawing Sheets



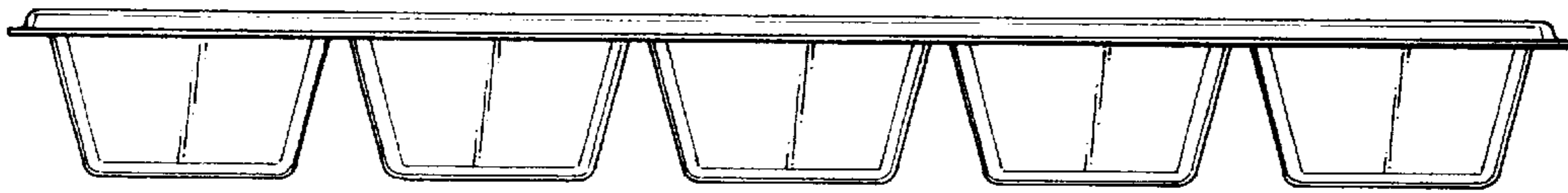
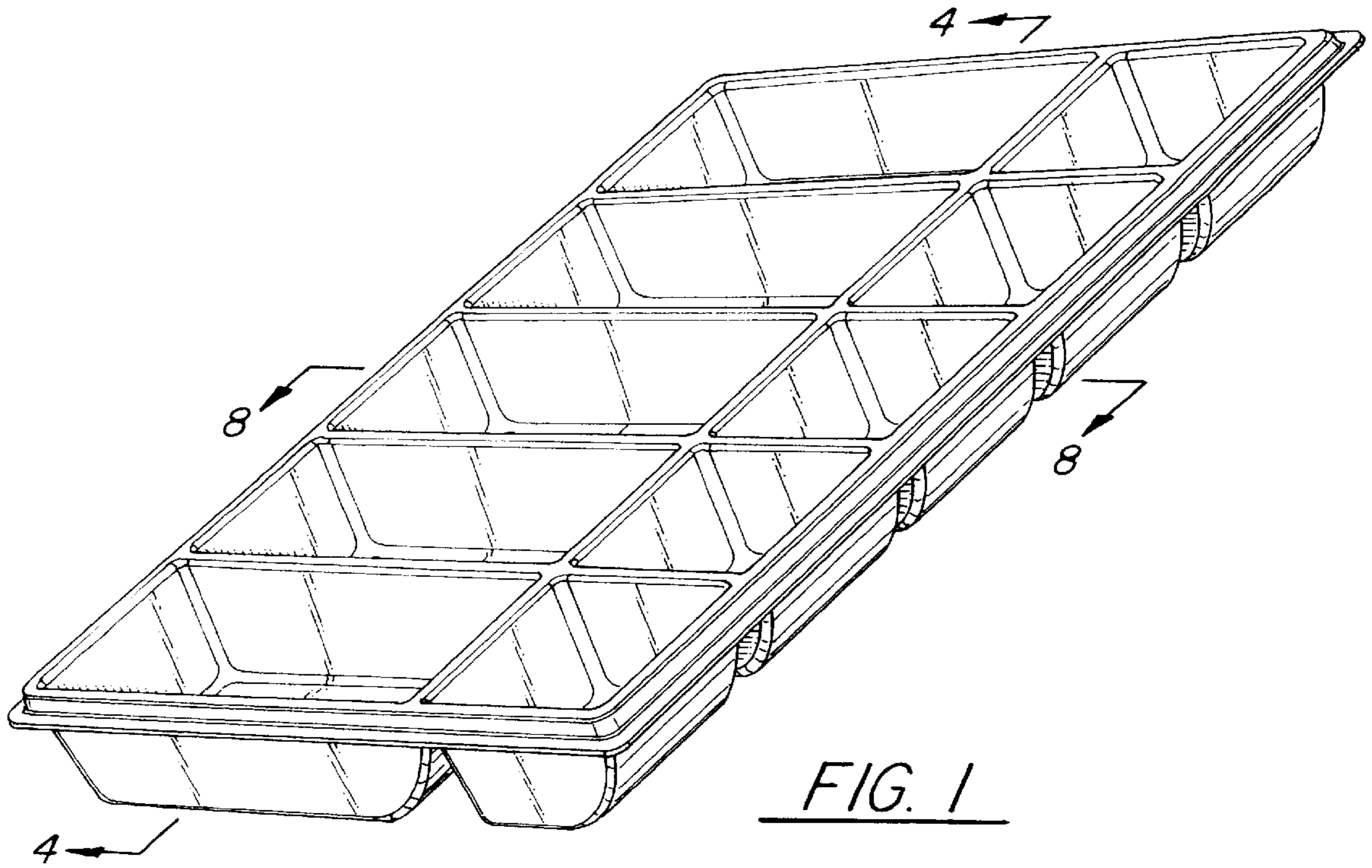


FIG. 2

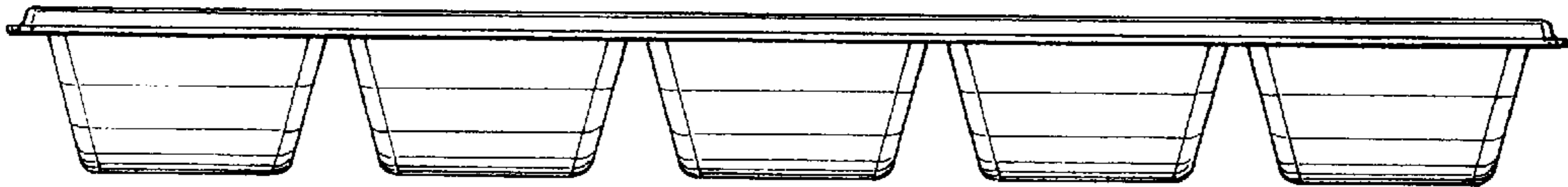


FIG. 3

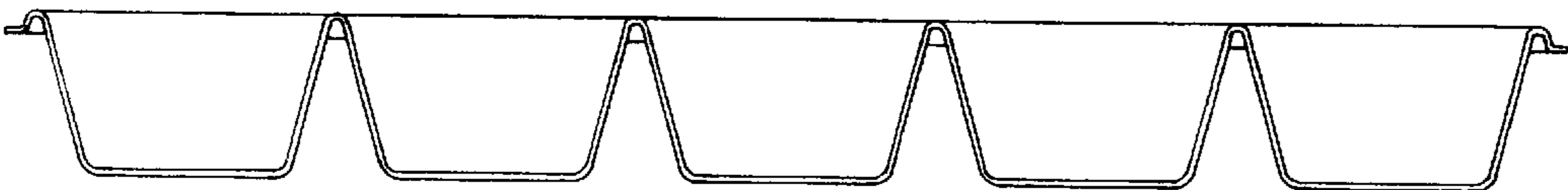


FIG. 4

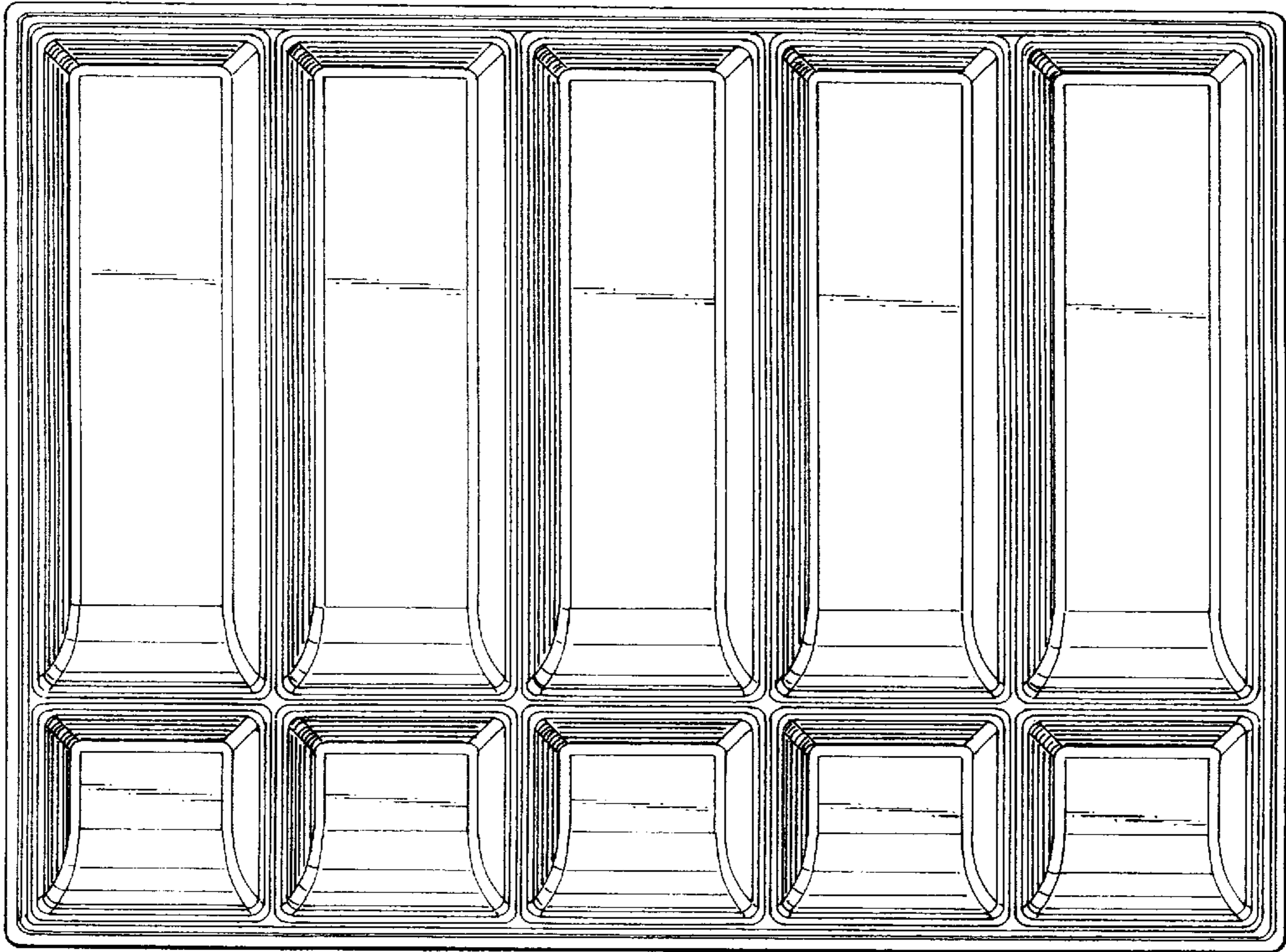


FIG. 5

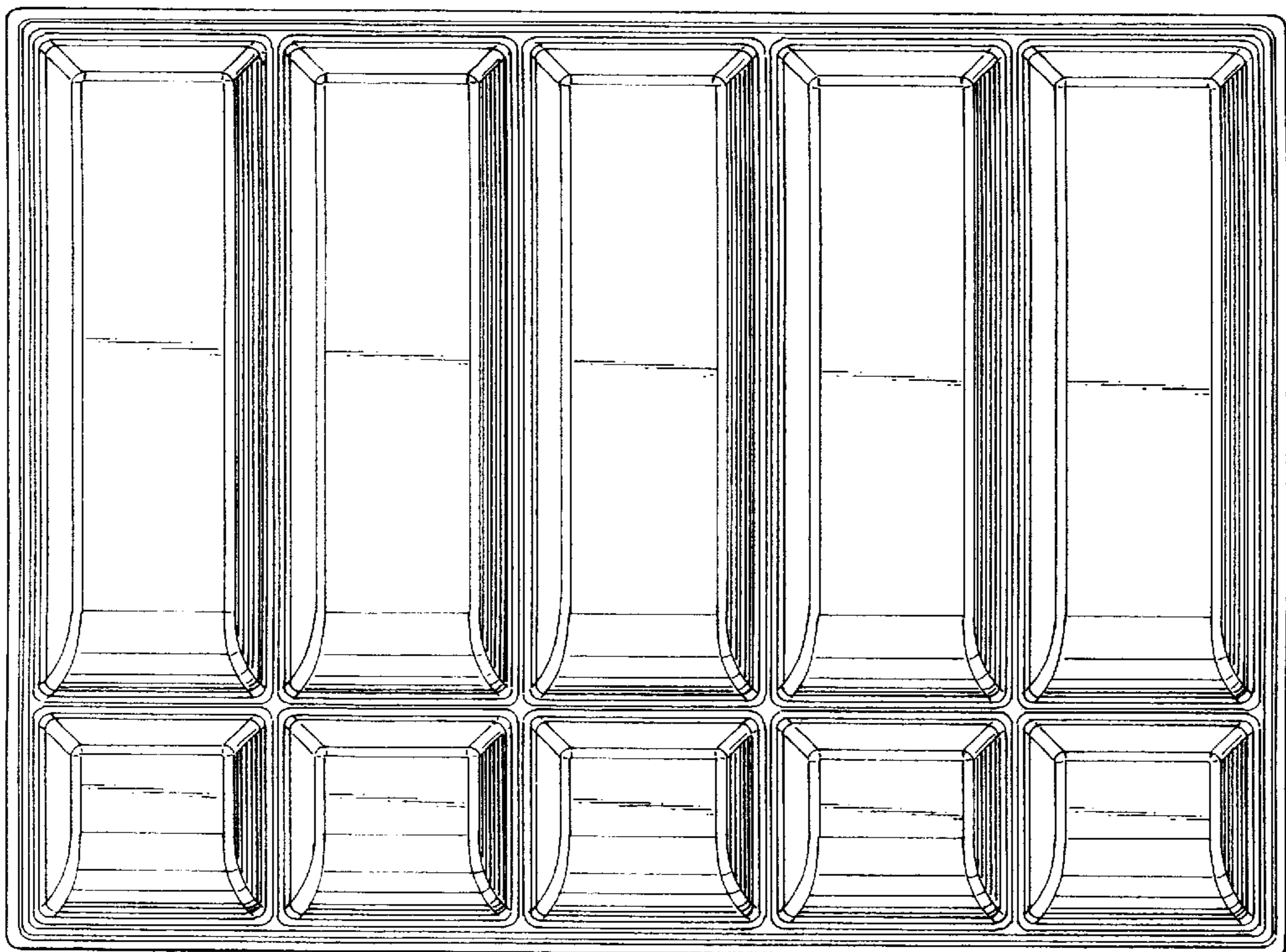


FIG. 6

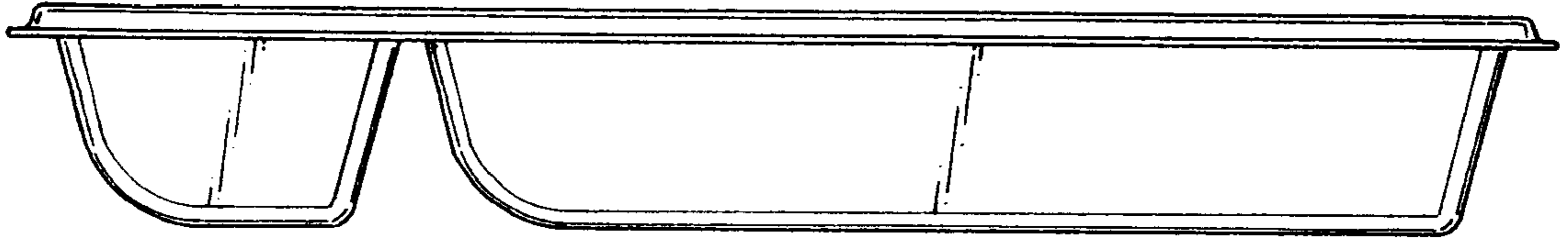


FIG. 7

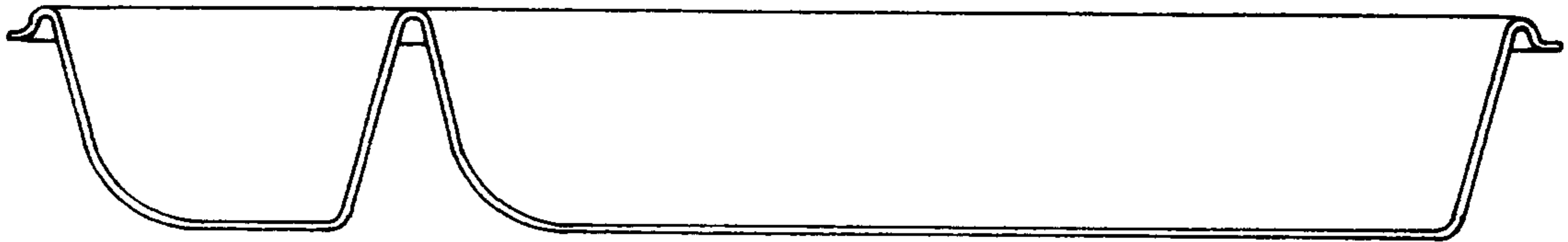


FIG. 8