



US00D450454B1

(12) **United States Design Patent**  
**Dembicks**

(10) **Patent No.:** **US D450,454 S**

(45) **Date of Patent:** **\*\* Nov. 20, 2001**

(54) **NINETEEN COMPARTMENT TRAY**

4,872,559 10/1989 Schoon .  
4,887,790 12/1989 Wilkinson et al. .  
5,753,456 5/1998 Naqui et al. .

(75) Inventor: **Tyler J. Dembicks**, Raleigh, NC (US)

(73) Assignee: **The Andrews Company**, Boca Raton, FL (US)

\* cited by examiner

(\*\*) Term: **14 Years**

*Primary Examiner*—Catherine R. Oliver  
(74) *Attorney, Agent, or Firm*—Akerman Senterfitt

(21) Appl. No.: **29/127,490**

(57) **CLAIM**

(22) Filed: **Aug. 8, 2000**

The ornamental design for a nineteen compartment tray, as shown and described.

(51) **LOC (7) Cl.** ..... **03-01**

**DESCRIPTION**

(52) **U.S. Cl.** ..... **D3/313**

(58) **Field of Search** ..... D3/303-315; 206/557,  
206/558, 561, 562, 564; 220/507; D9/341,  
347, 425; D24/229

FIG. 1 is a perspective view of the nineteen compartment tray according to the subject invention.

FIG. 2 is a rear view of the nineteen compartment tray in FIG. 1.

FIG. 3 is a front view of the nineteen compartment tray in FIG. 1.

FIG. 4 is a sectional view of the nineteen compartment tray taken along the line 4-4 in FIG. 5.

FIG. 5 is a top view of the nineteen compartment tray in FIG. 1.

FIG. 6 is a bottom view of the nineteen compartment tray in FIG. 1.

FIG. 7 is a side view of the nineteen compartment tray in FIG. 1; and,

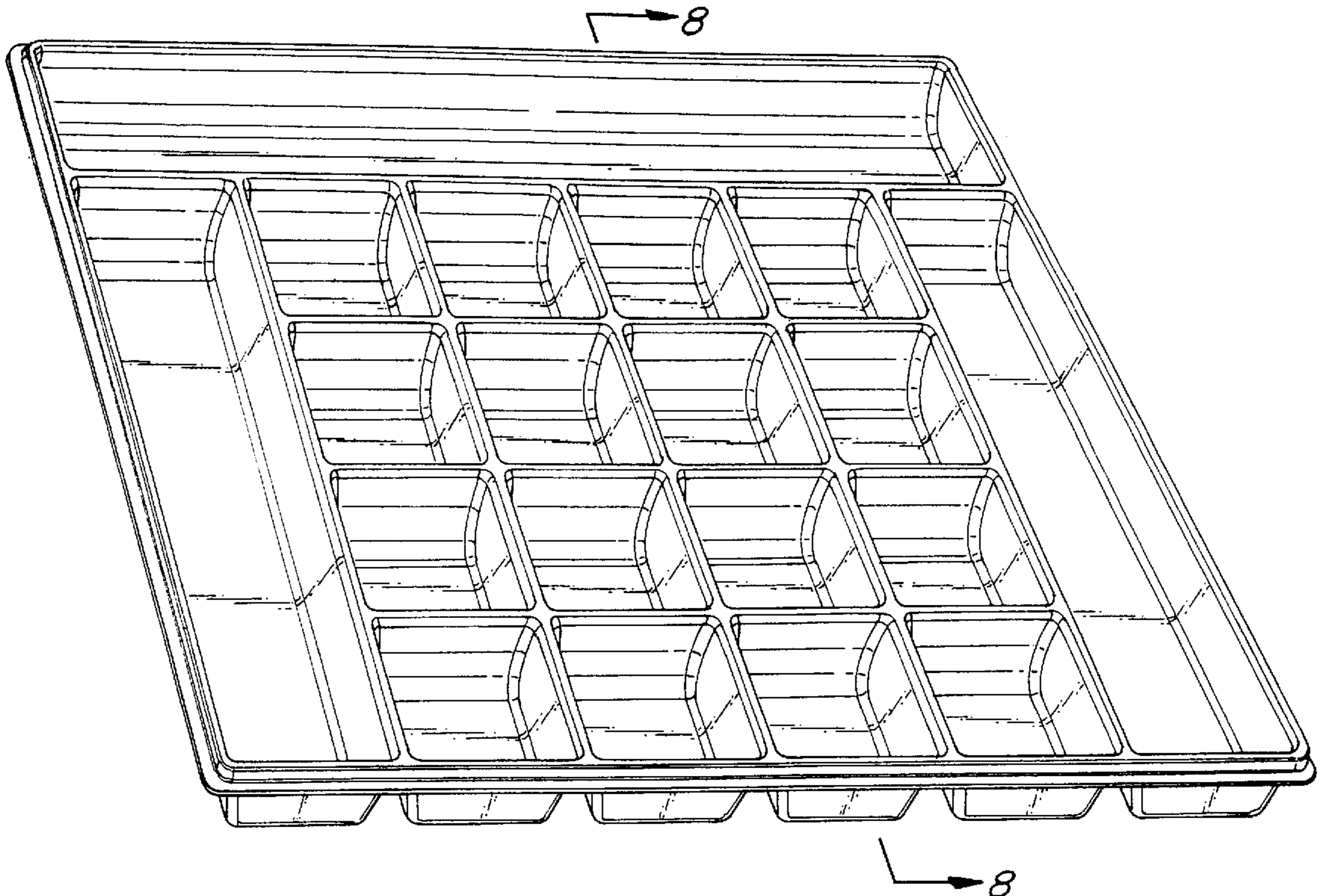
FIG. 8 is a sectional view of the nineteen compartment tray taken along line 8-8 in FIG. 1.

(56) **References Cited**

**U.S. PATENT DOCUMENTS**

D. 278,255	4/1985	Evenson .	
D. 321,074	10/1991	Eby .	
D. 361,508	* 8/1995	Schnack	..... D9/341
D. 380,961	* 7/1997	Schnack	..... D9/347
D. 422,141	* 4/2000	Dembicks	..... D3/313
D. 423,219	* 4/2000	Dembicks	..... D3/313
D. 424,807	* 5/2000	Dembicks	..... D3/313
D. 431,110	* 9/2000	Dembicks	..... D3/313
D. 436,730	* 1/2001	Dembicks	..... D3/313
D. 437,116	* 2/2001	Dembicks	..... D3/313
2,162,162	6/1939	Murguiondo .	
2,313,394	3/1943	Norris .	

**1 Claim, 3 Drawing Sheets**



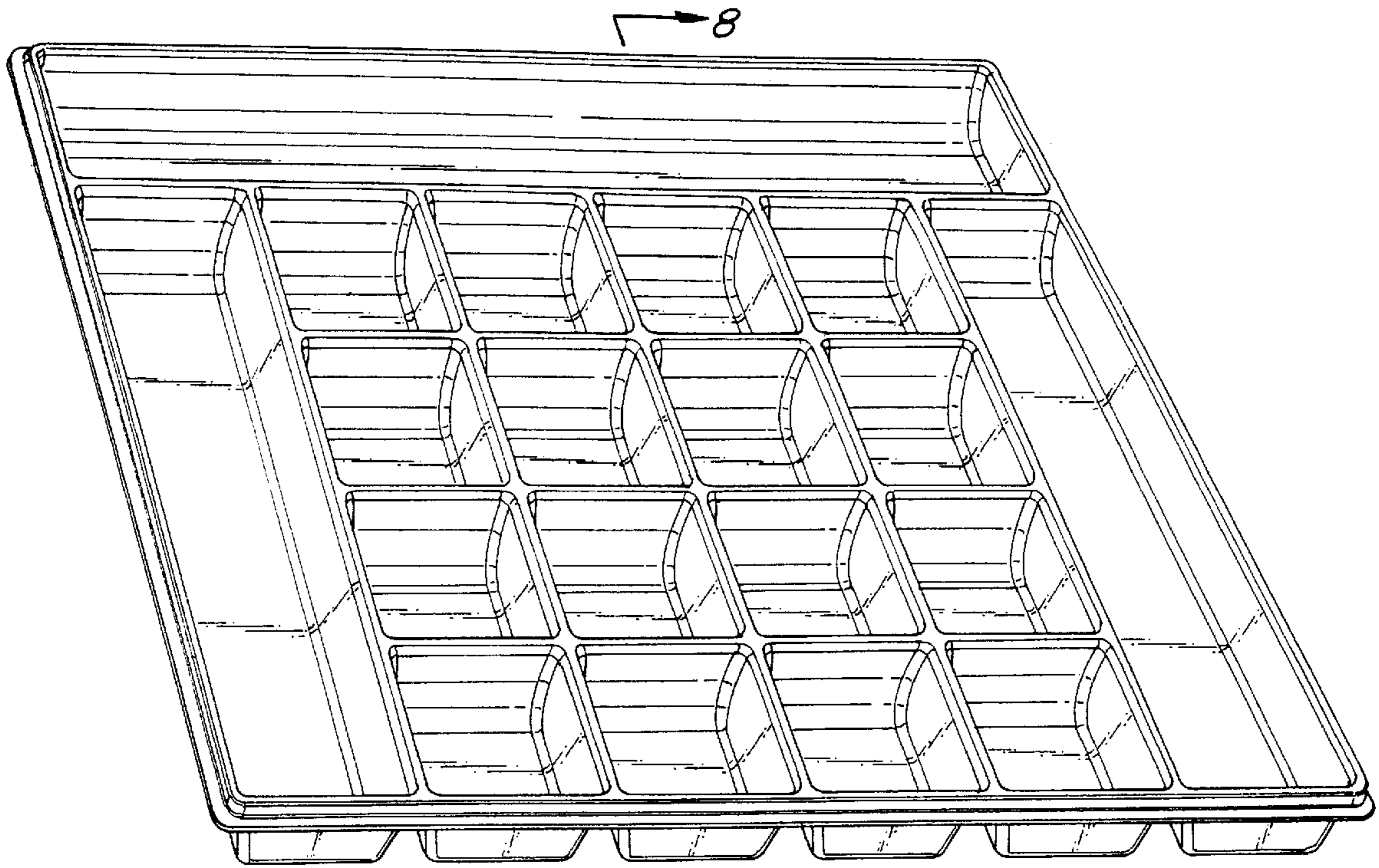


FIG. 1



FIG. 2

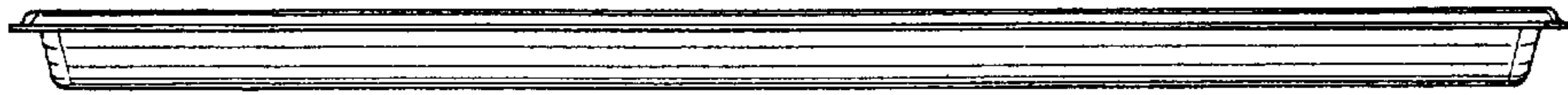


FIG. 3

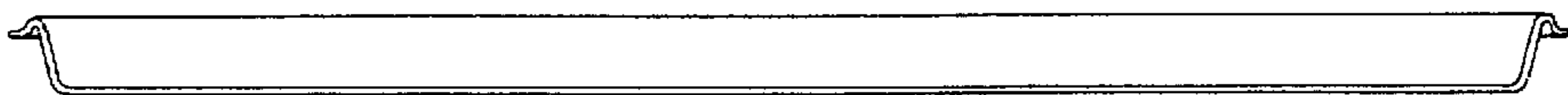


FIG. 4



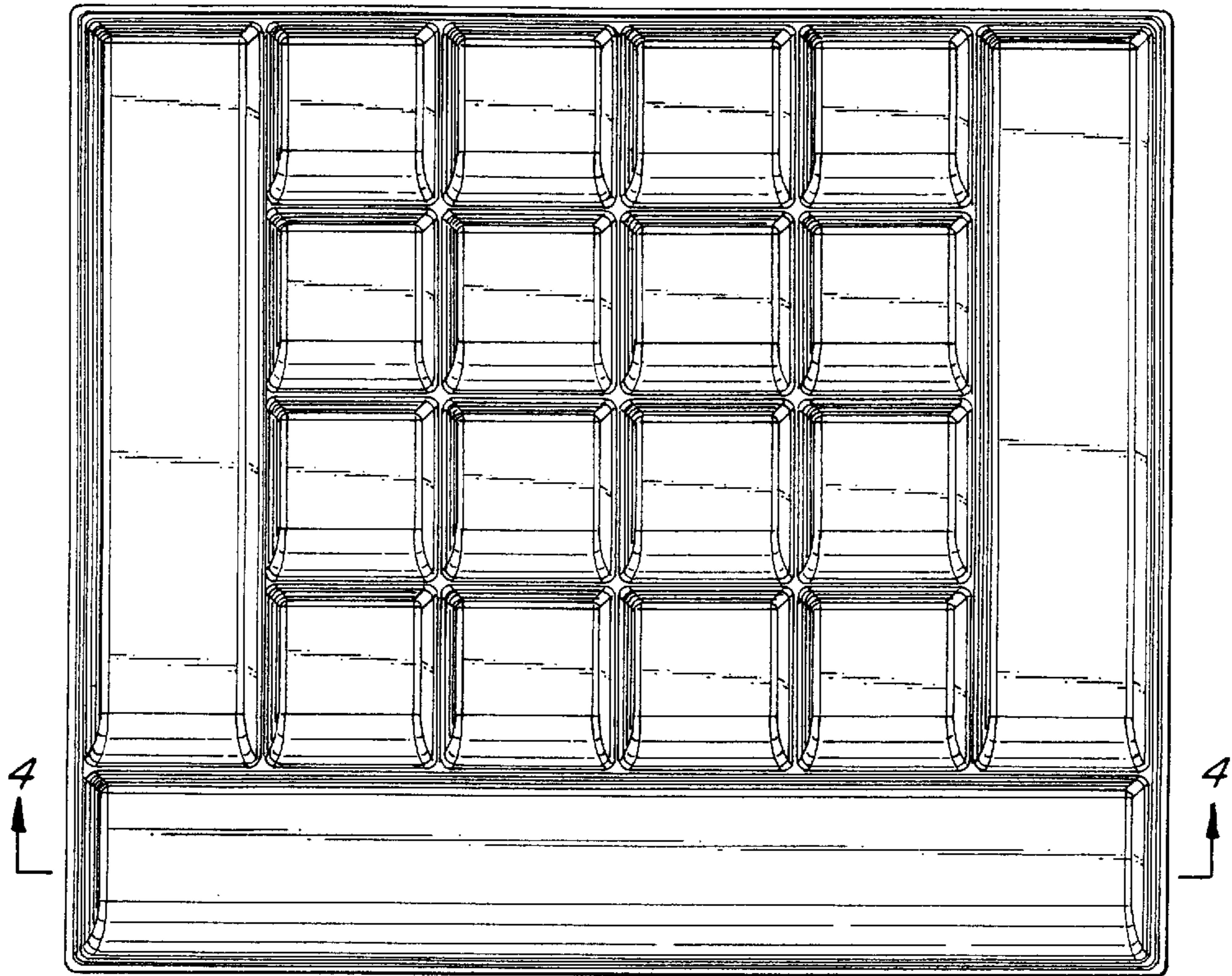


FIG. 5

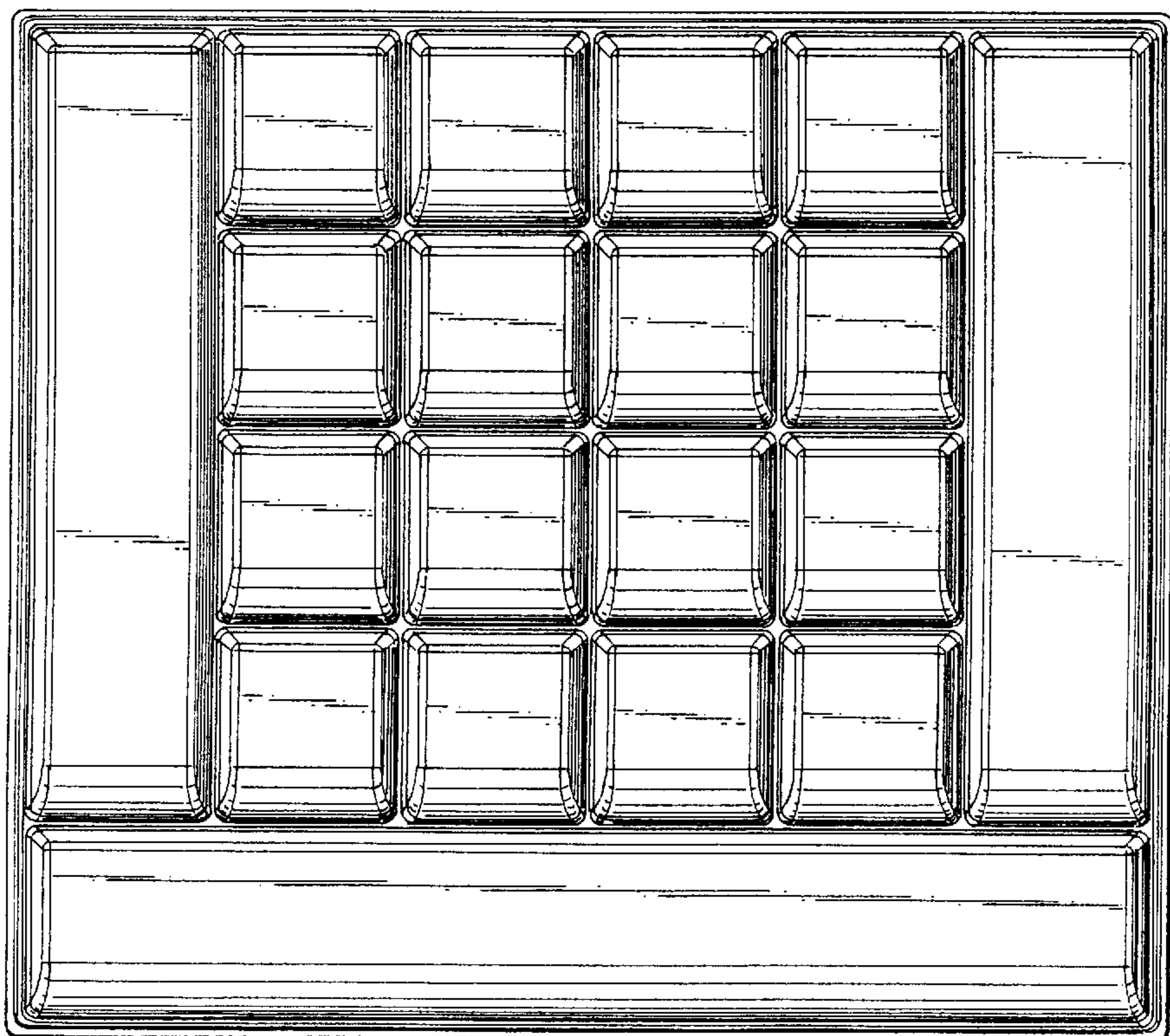


FIG. 6

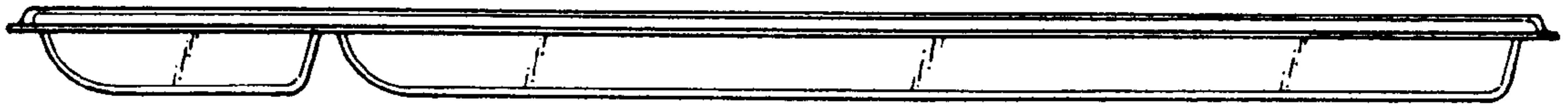


FIG. 7

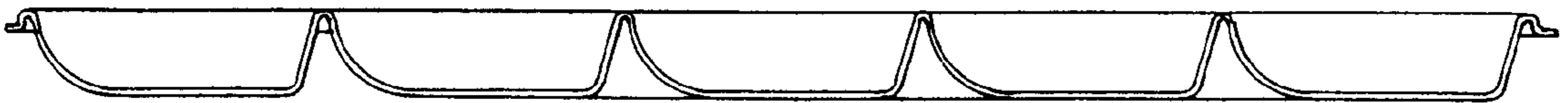


FIG. 8