



US00D450451B1

(12) **United States Design Patent**
Starrett

(10) **Patent No.:** **US D450,451 S**

(45) **Date of Patent:** **** Nov. 20, 2001**

(54) **POLICE BATON HOLDER**

5,711,468 * 1/1998 Shoemaker 224/251
6,059,157 * 5/2000 Parsons et al. 224/251

(76) Inventor: **Paul D. Starrett**, 256 Gilson Rd.,
Jaffrey, NH (US) 03452

* cited by examiner

(**) Term: **14 Years**

Primary Examiner—Catherine R. Oliver
(74) *Attorney, Agent, or Firm*—Ernest V. Linek; Banner &
Witcoff, Ltd.

(21) Appl. No.: **29/125,104**

(22) Filed: **Jun. 19, 2000**

(57) **CLAIM**

(51) **LOC (7) Cl.** **03-01**

The ornamental design for a police baton holder, as shown
and described.

(52) **U.S. Cl.** **D3/229**

(58) **Field of Search** D22/117; D3/229;
224/914, 247, 240, 245, 251, 911

DESCRIPTION

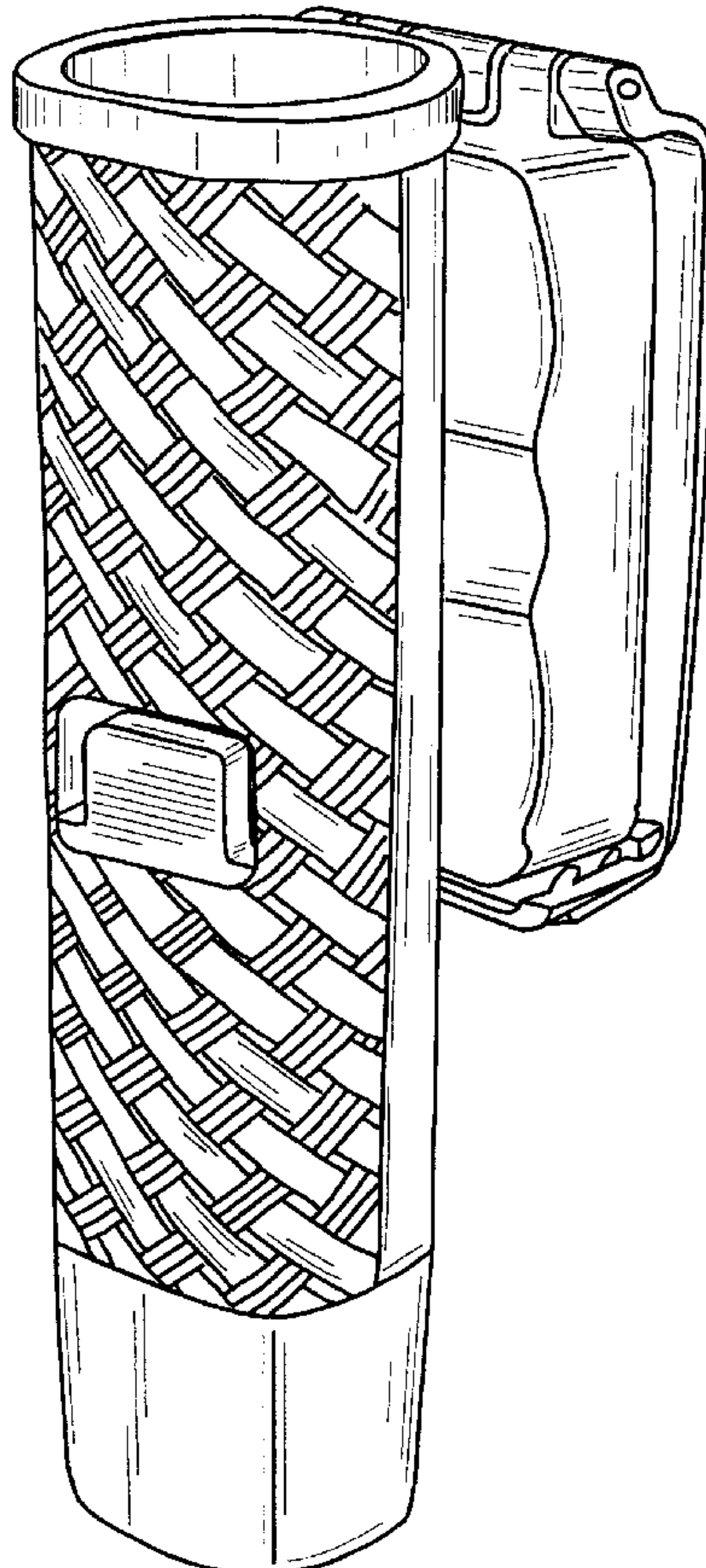
(56) **References Cited**

FIG. 1 is a perspective view of a police baton holder,
showing my new design;
FIG. 2 is a front elevational view of the police baton holder
of FIG. 1;
FIG. 3 is a bottom plan view the police baton holder of FIG.
1;
FIG. 4 is a top plan view of the police baton holder of FIG.
1;
FIG. 5 is a right side elevational view of the police baton
holder of FIG. 1, the left side being a mirror image thereof;
and,
FIG. 6 is a rear elevational view of the police baton holder
of FIG. 1.

U.S. PATENT DOCUMENTS

D. 347,522	6/1994	Beltran	D3/229
D. 386,299	11/1997	Starrett	D3/229
D. 386,612	* 11/1997	Starrett	D3/229
D. 405,258	* 2/1999	Newbault, Jr.	D3/229
4,006,851	2/1977	Kippen	224/197
4,662,552	5/1987	Uyehara	224/251
4,953,769	9/1990	Parsons et al.	224/247
4,955,518	9/1990	Parsons et al.	224/247
5,022,575	6/1991	McDonald	224/273
5,217,151	6/1993	Parsons	224/253
5,263,619	11/1993	Shoemaker	224/240
5,449,104	9/1995	Parsons et al.	224/245

1 Claim, 2 Drawing Sheets



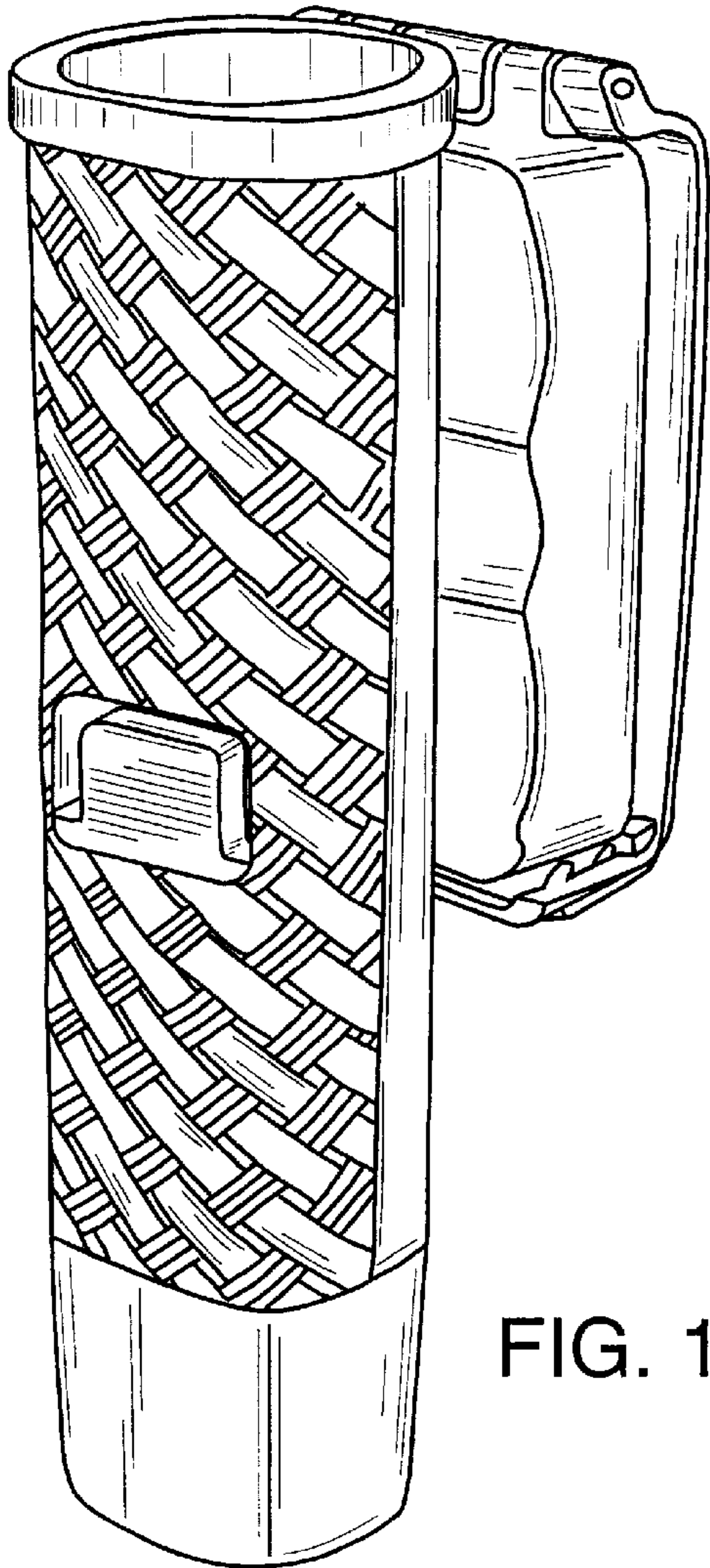


FIG. 1

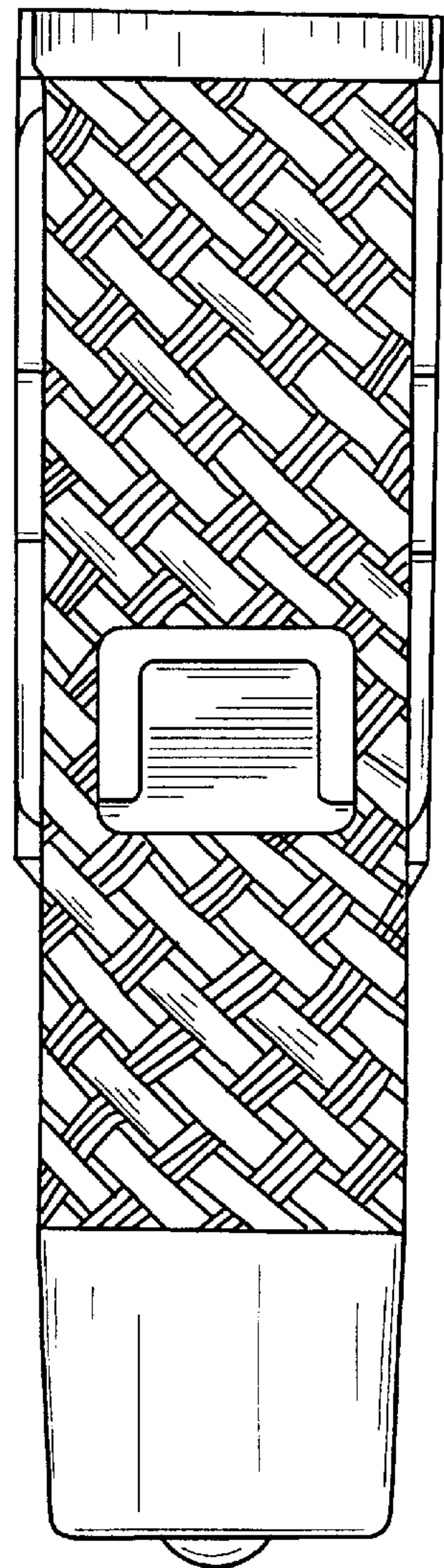


FIG. 2

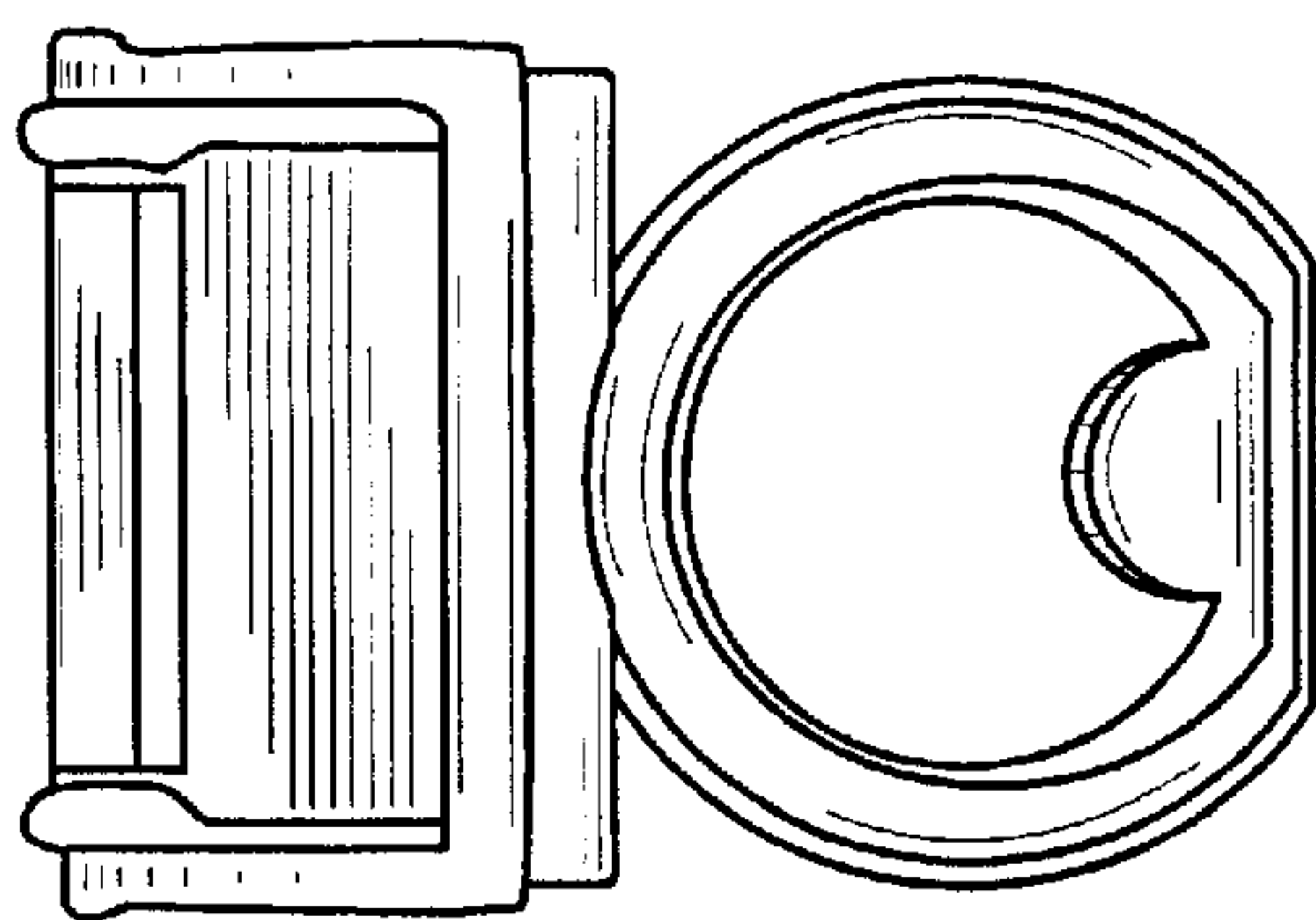


FIG. 3

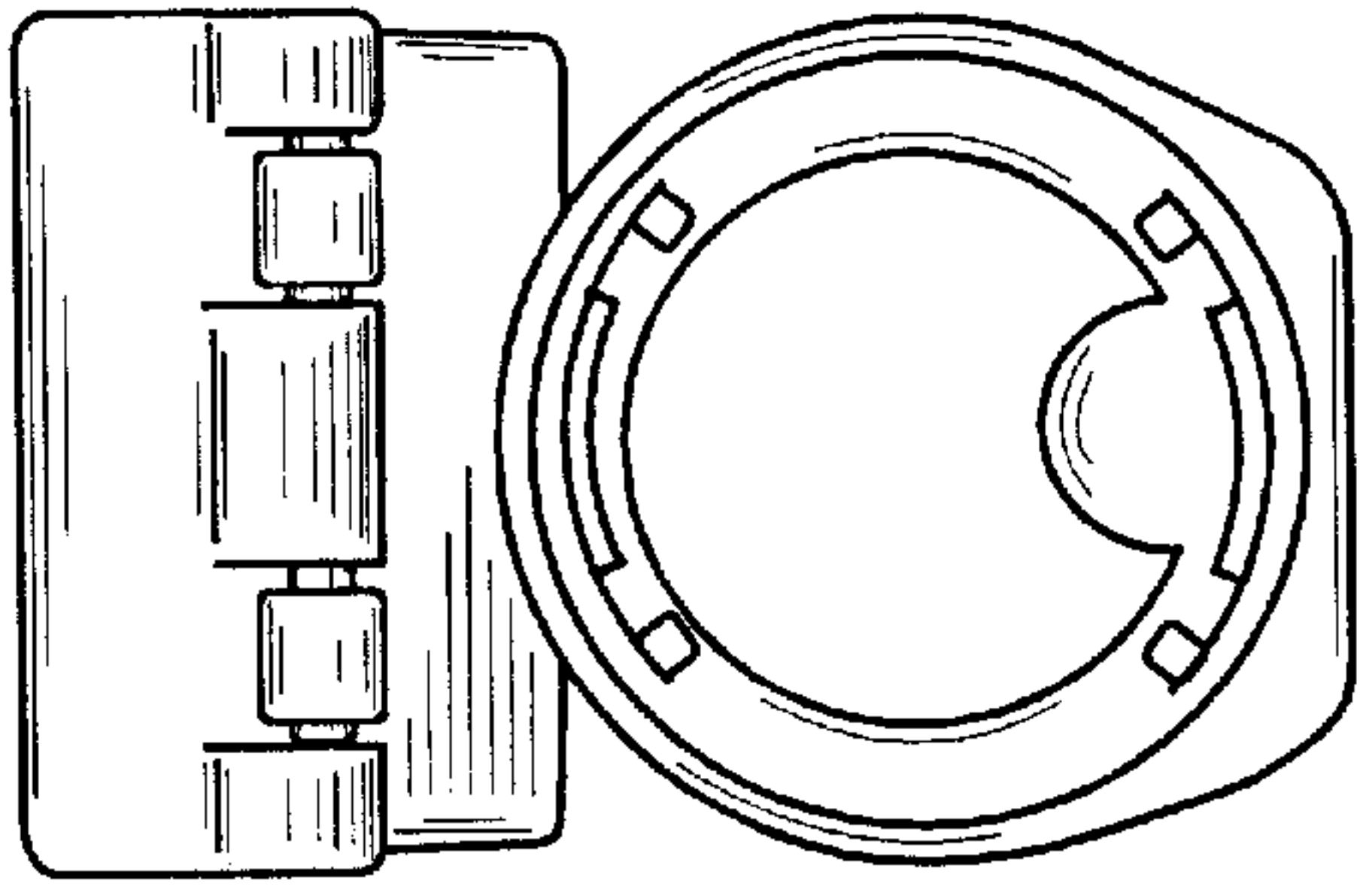


FIG. 4

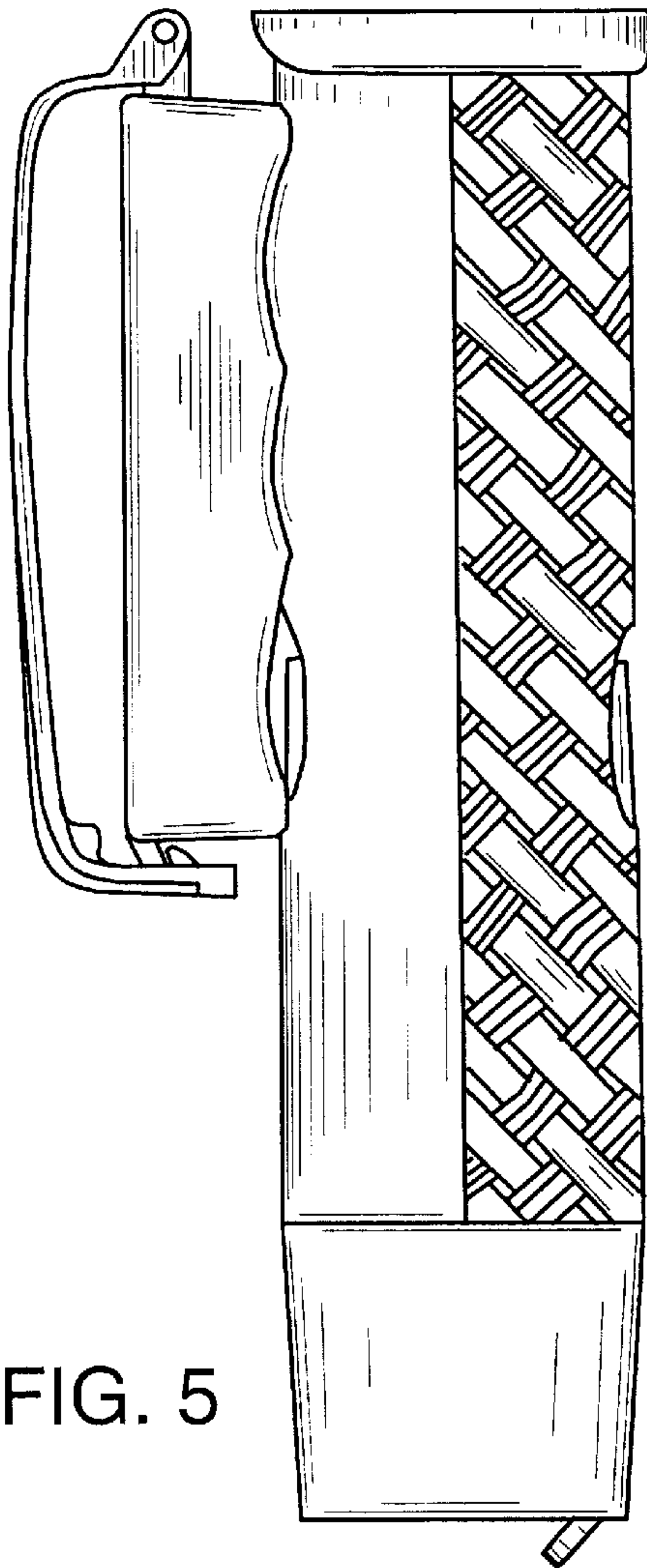


FIG. 5

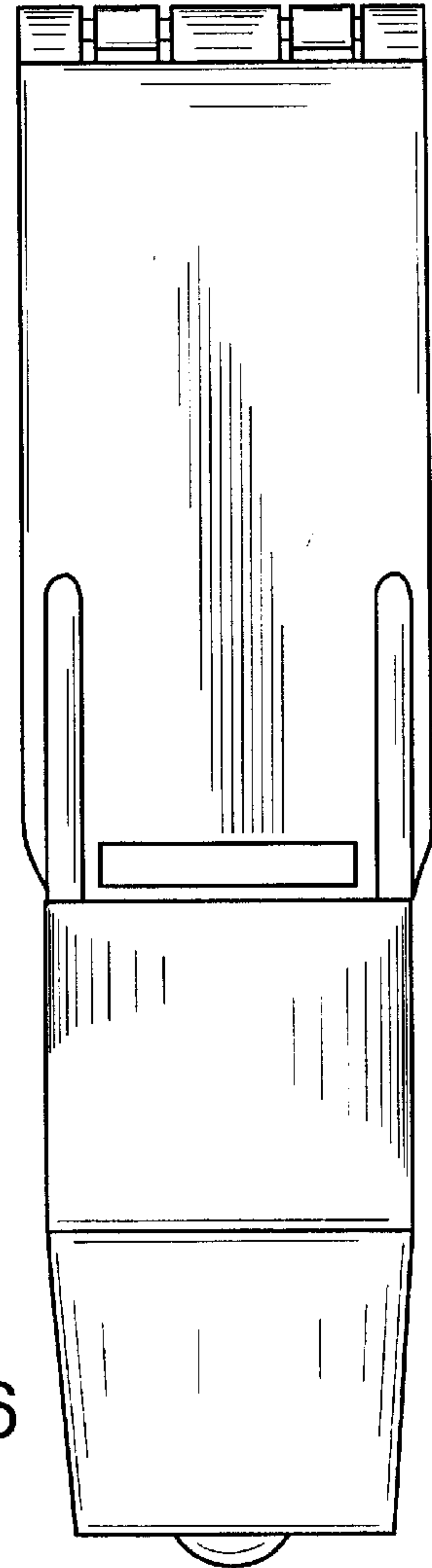


FIG. 6