



US00D450450B1

(12) **United States Design Patent**
Austin

(10) **Patent No.:** **US D450,450 S**

(45) **Date of Patent:** **** Nov. 20, 2001**

(54) **PAINTBRUSH HOLDER FOR A TOOL BELT**

(76) Inventor: **Christopher R. Austin, 5764**
Rosewood Dr., Myrtle Beach, SC (US)
29575

(**) Term: **14 Years**

(21) Appl. No.: **29/126,187**

(22) Filed: **Jul. 8, 2000**

(51) **LOC (7) Cl.** **03-01**

(52) **U.S. Cl.** **D3/228**

(58) **Field of Search** D3/228, 215, 225,
D3/230, 229, 224, 226; 224/904, 901, 240,
253, 930, 666, 251

(56) **References Cited**

U.S. PATENT DOCUMENTS

D. 405,955	*	2/1999	Russell	D3/228
3,493,152	*	2/1970	Ort	224/904
4,917,281	*	4/1990	Ostermiller	224/253
6,085,952	*	7/2000	Garland	224/253

* cited by examiner

Primary Examiner—Louis S. Zarfaz
Assistant Examiner—Catherine R. Oliver
(74) *Attorney, Agent, or Firm*—Harleston Law Firm;
Kathleen M. Harleston

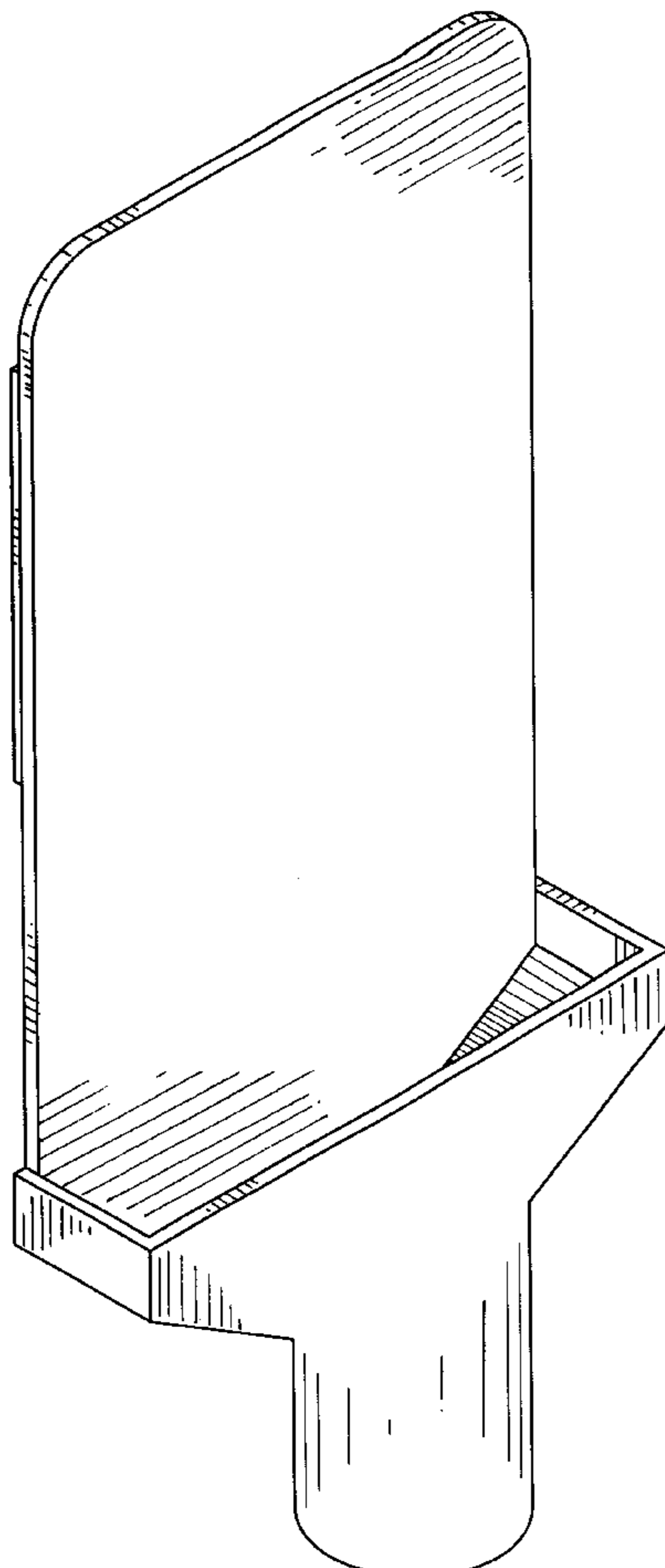
(57) **CLAIM**

The ornamental design for a paintbrush holder for a tool belt, as shown and described.

DESCRIPTION

FIG. 1 is a front perspective view of a paintbrush holder for a tool belt, showing my new design;
FIG. 2 is a front perspective view of a paintbrush holder for a tool belt, showing my new design;
FIG. 3 is a front elevational view thereof;
FIG. 4 is a right side elevational view thereof, the left side elevational view being a mirror image of the right side elevational view;
FIG. 5 is a rear elevational view thereof;
FIG. 6 is a top plan view thereof; and,
FIG. 7 is a bottom plan view thereof.
In FIG. 1 of the drawings, the broken line disclosure of a belt and paintbrush is for illustrative purposes only and forms no part of the claimed design.

1 Claim, 5 Drawing Sheets



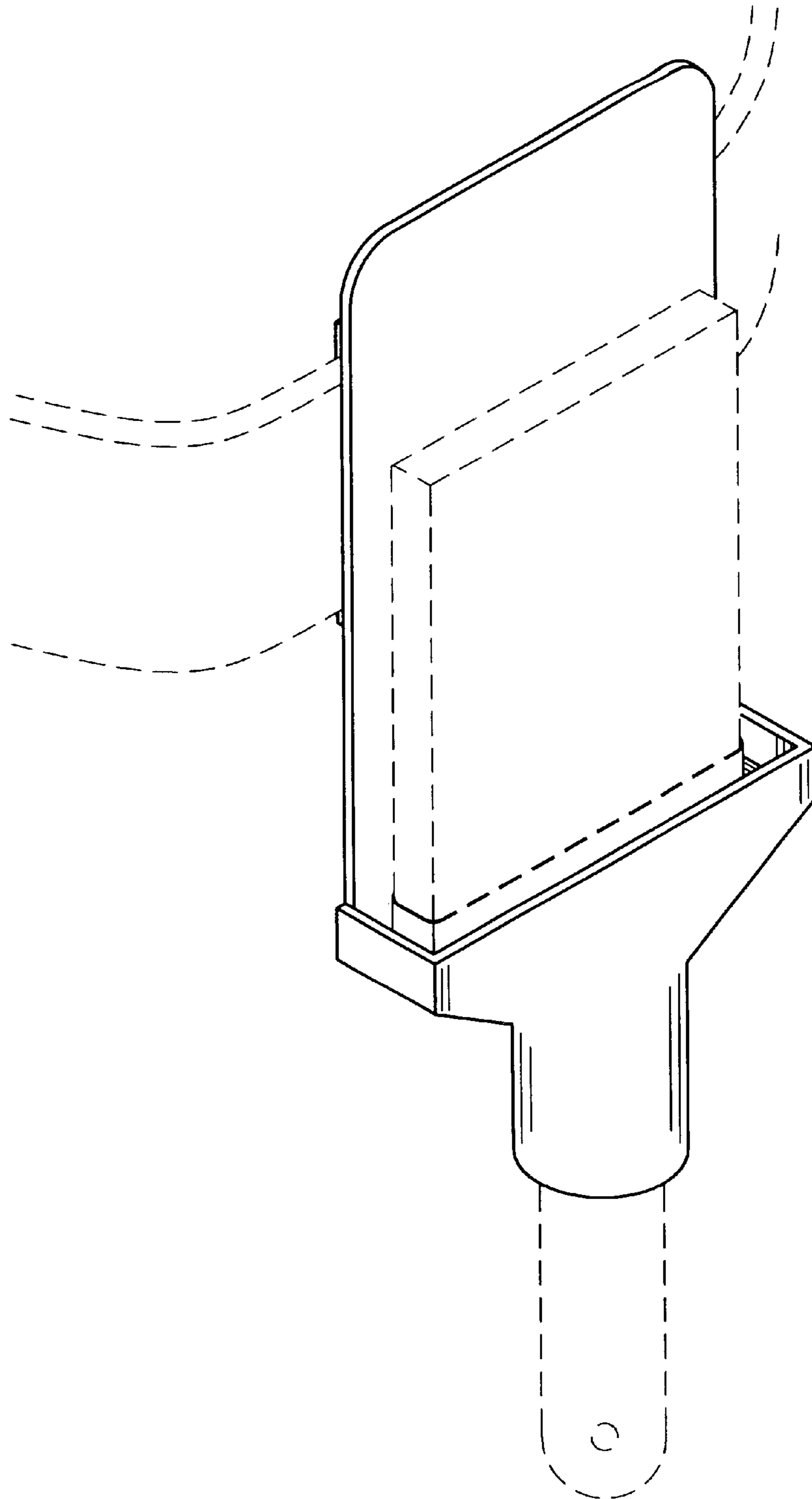


FIG. 1

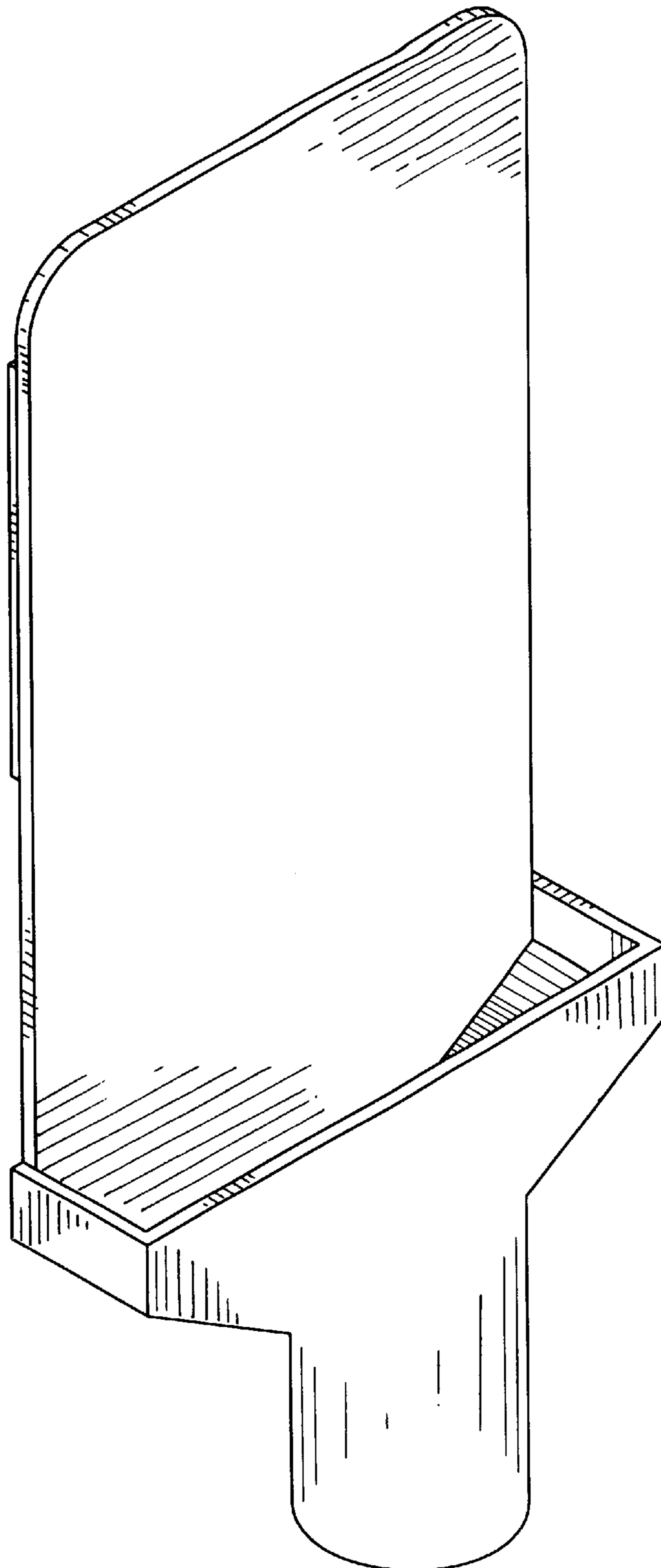


FIG. 2

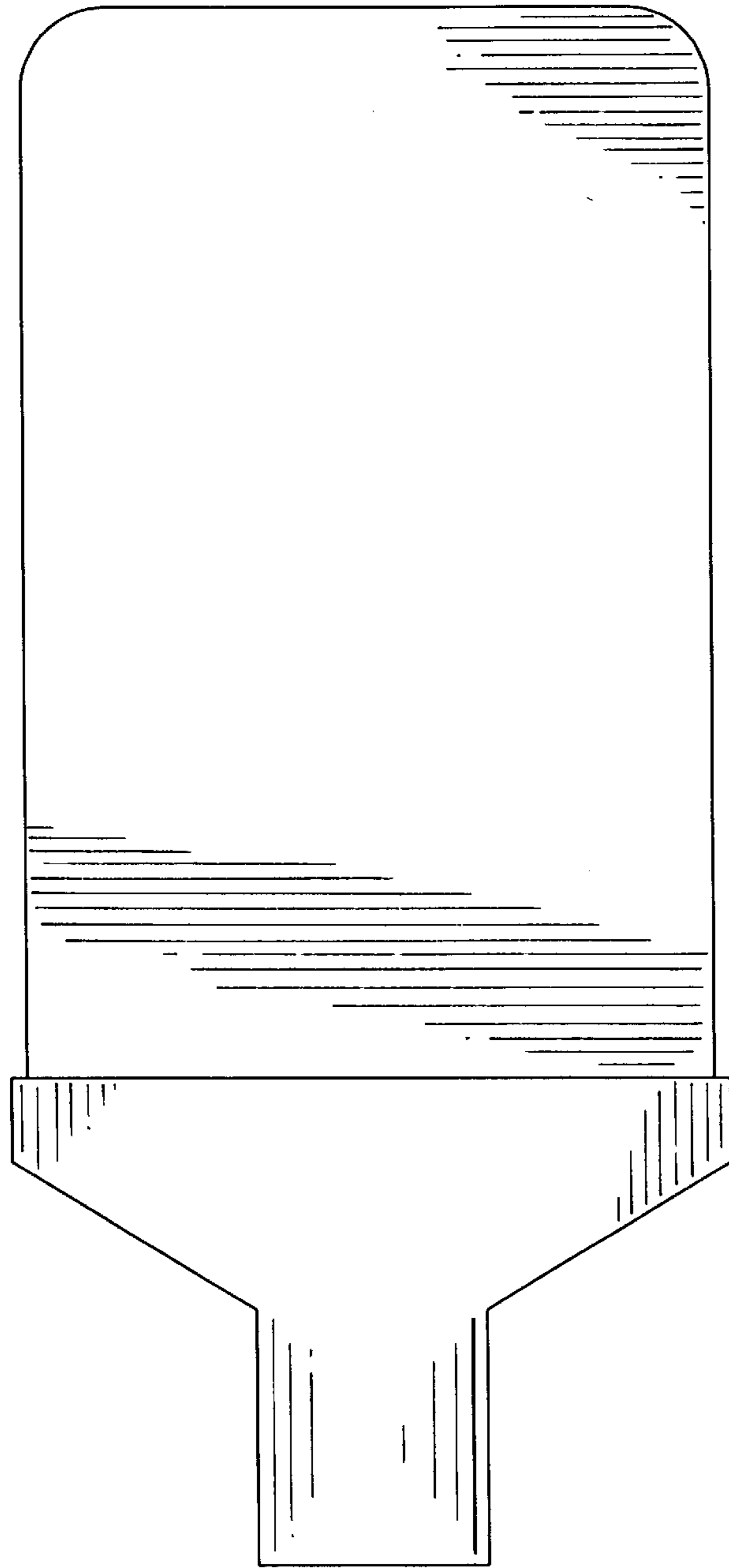


FIG. 3

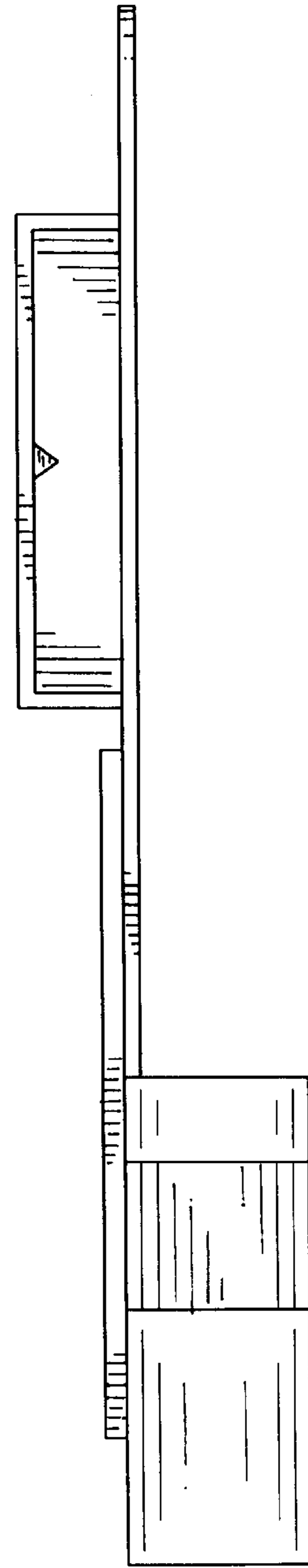


FIG. 4

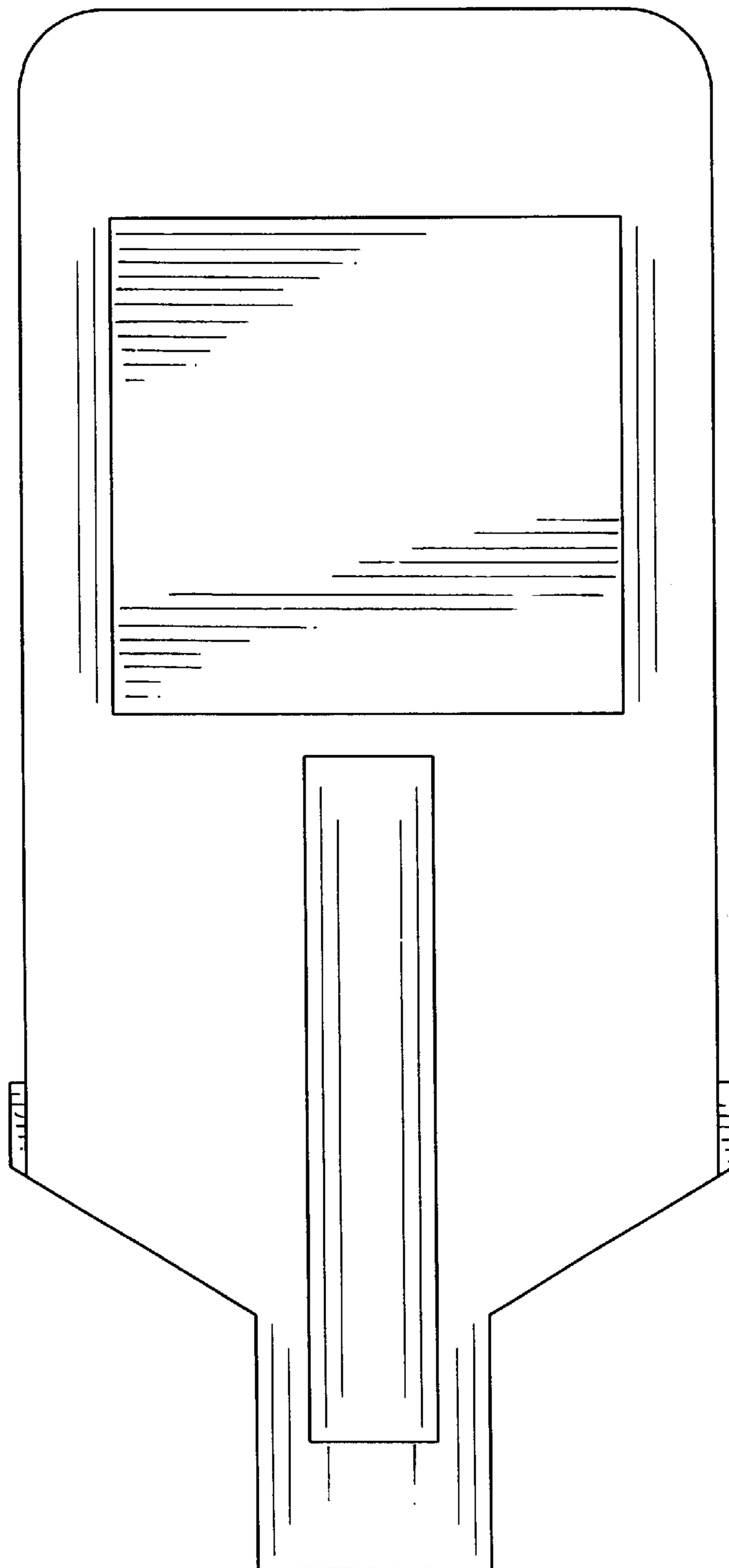


FIG. 5

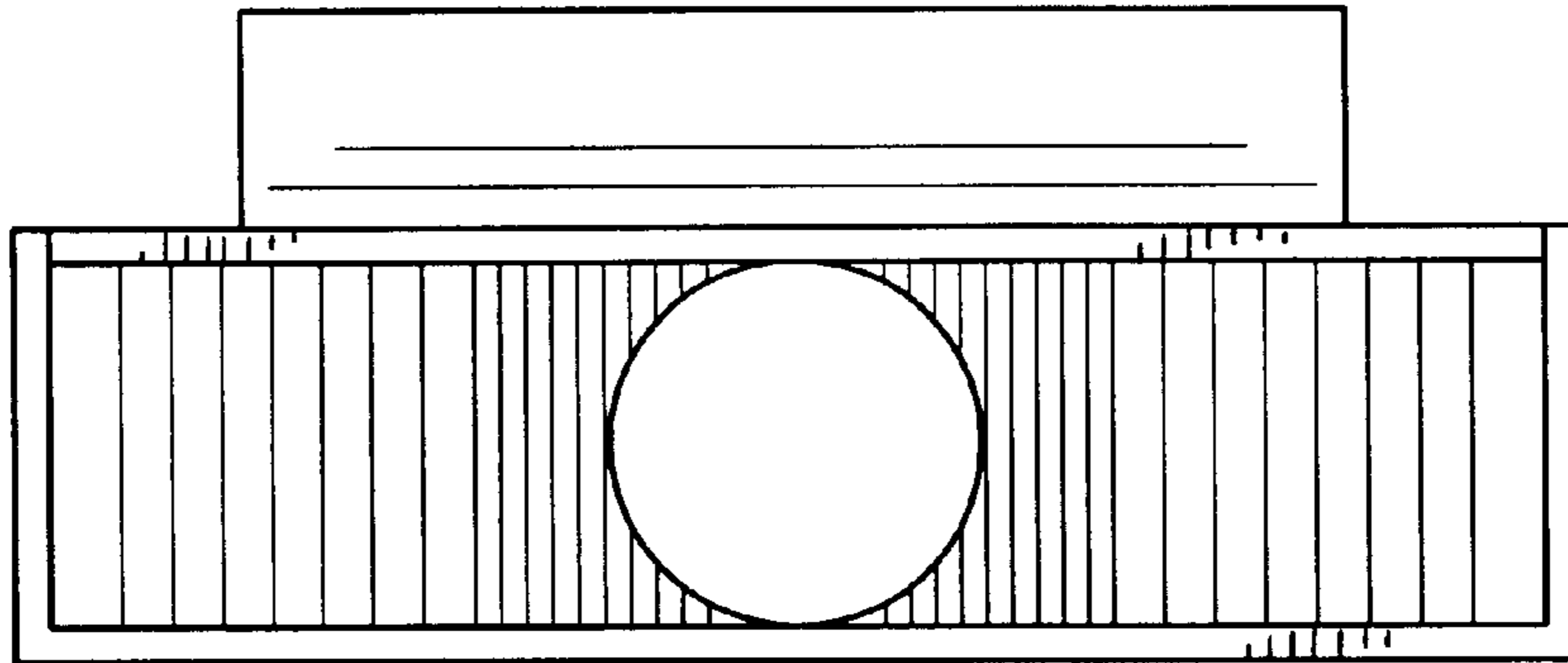


FIG. 6

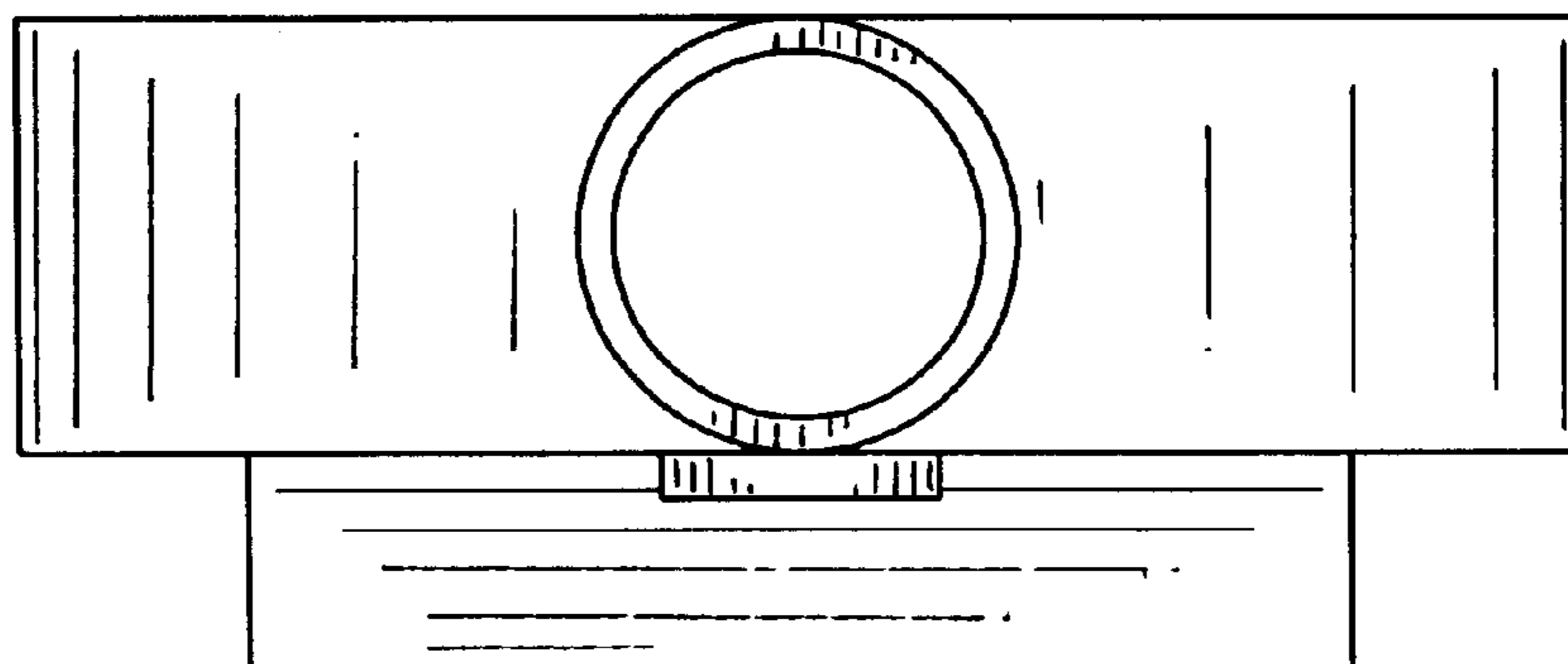


FIG. 7