



US00D450442B1

(12) **United States Design Patent**
Leonard

(10) **Patent No.:** **US D450,442 S**

(45) **Date of Patent:** **** Nov. 20, 2001**

(54) **UPHOLSTERY NEEDLE PUSHER**

(76) **Inventor:** **Eugene Leonard**, 2141 Calks Ferry Rd., Lexington, SC (US) 29073

(**) **Term:** **14 Years**

(21) **Appl. No.:** **29/127,173**

(22) **Filed:** **Jul. 28, 2000**

(51) **LOC (7) Cl.** **03-01**

(52) **U.S. Cl.** **D3/18; D3/20**

(58) **Field of Search** D3/18, 20, 28, D3/29; D24/224, 112, 130; D32/58, 59; D6/522; D20/41; D11/182; D21/302, 471; 273/331, 336; 112/80.05, 80.03, 169, 225, 226, 221; D9/439; D8/71

(56) **References Cited**

U.S. PATENT DOCUMENTS

72,751	12/1867	Miles .	
D. 118,584	* 1/1940	Reynolds D20/41
D. 282,722	2/1986	Lott .	
D. 431,299	* 9/2000	Lammie D24/224
1,374,409	* 4/1921	Valentine 112/80.05
2,022,712	* 12/1935	Firle D32/58
2,548,521	4/1951	Doyle .	
3,665,129	* 5/1972	Lancaster .	
4,127,222	11/1978	Adams .	

4,135,458	*	1/1979	Samollov	112/80.05
4,736,955	*	4/1988	Pollock	273/336
4,998,651		3/1991	Townsend .		
5,765,731		6/1998	Callian .		
5,779,719	*	7/1998	Klein et al.	112/169
5,797,337	*	8/1998	Papajewski et al.	112/221
6,045,016	*	4/2000	Okada	112/225

* cited by examiner

Primary Examiner—Lucy Lieberman

(57) **CLAIM**

The ornamental design for an upholstery needle pusher, as shown and described.

DESCRIPTION

FIG. 1 is a front elevational view of the upholstery needle pusher of the present invention, the rear, left and right views being mirror images thereof;
 FIG. 2 is a top plan view of the upholstery needle pusher of FIG. 1;
 FIG. 3 is a bottom plan view of the upholstery needle pusher of FIG. 1;
 FIG. 4 is a top, front perspective view of the upholstery needle pusher of FIG. 1; and,
 FIG. 5 is a cross-sectional view of FIG. 2 taken along line 5—5.

1 Claim, 3 Drawing Sheets

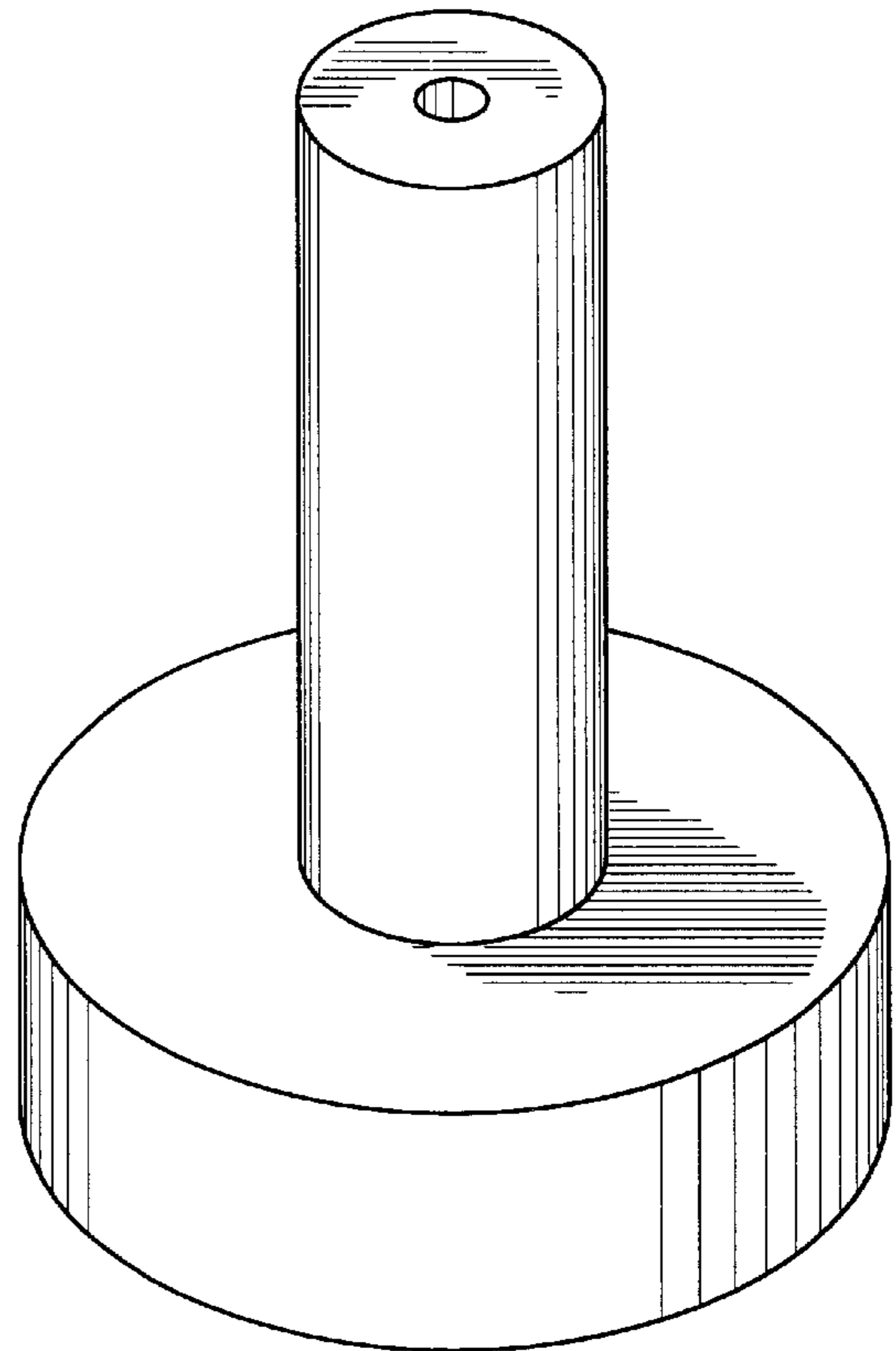
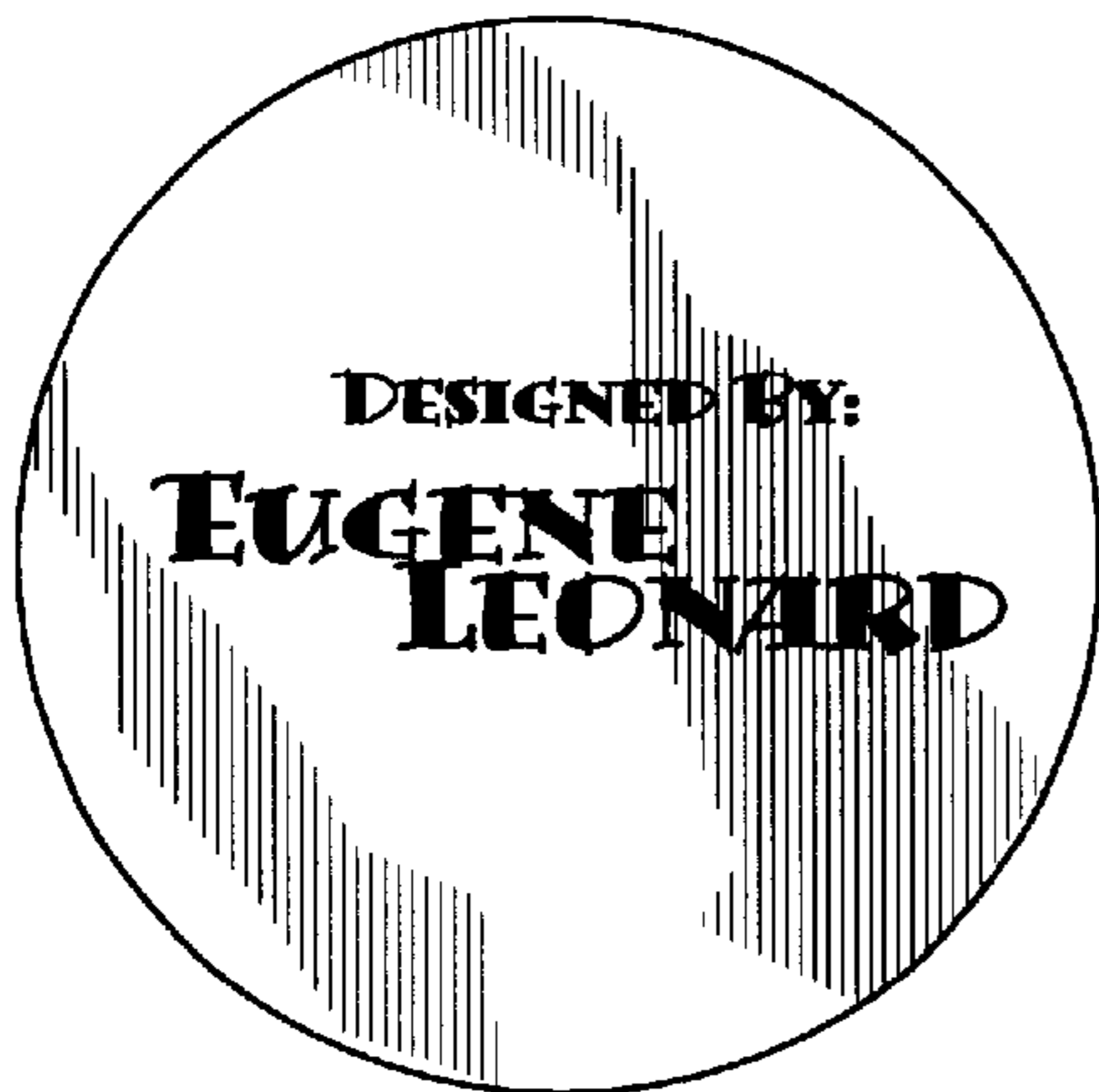


FIG. 2

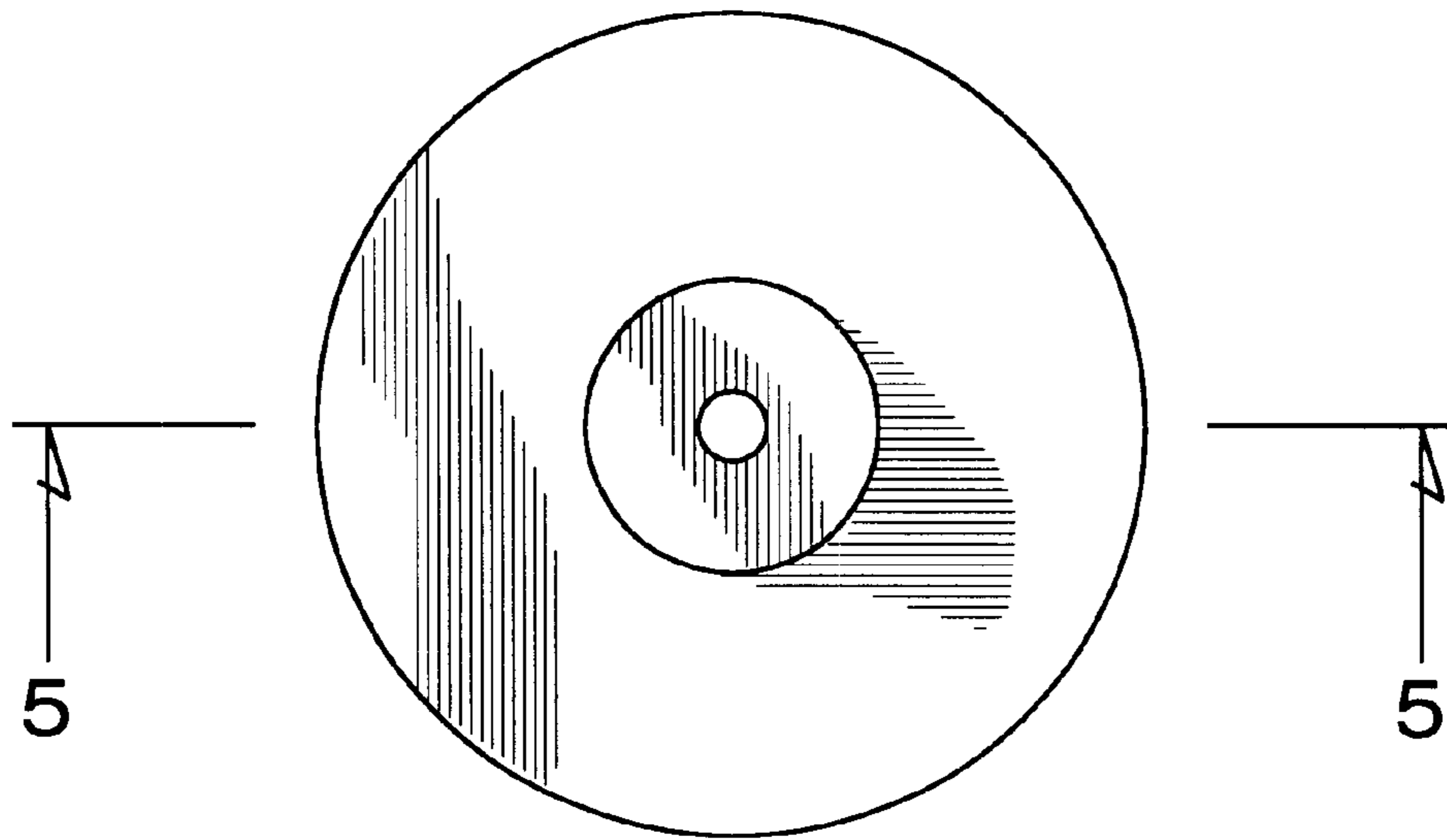


FIG. 1

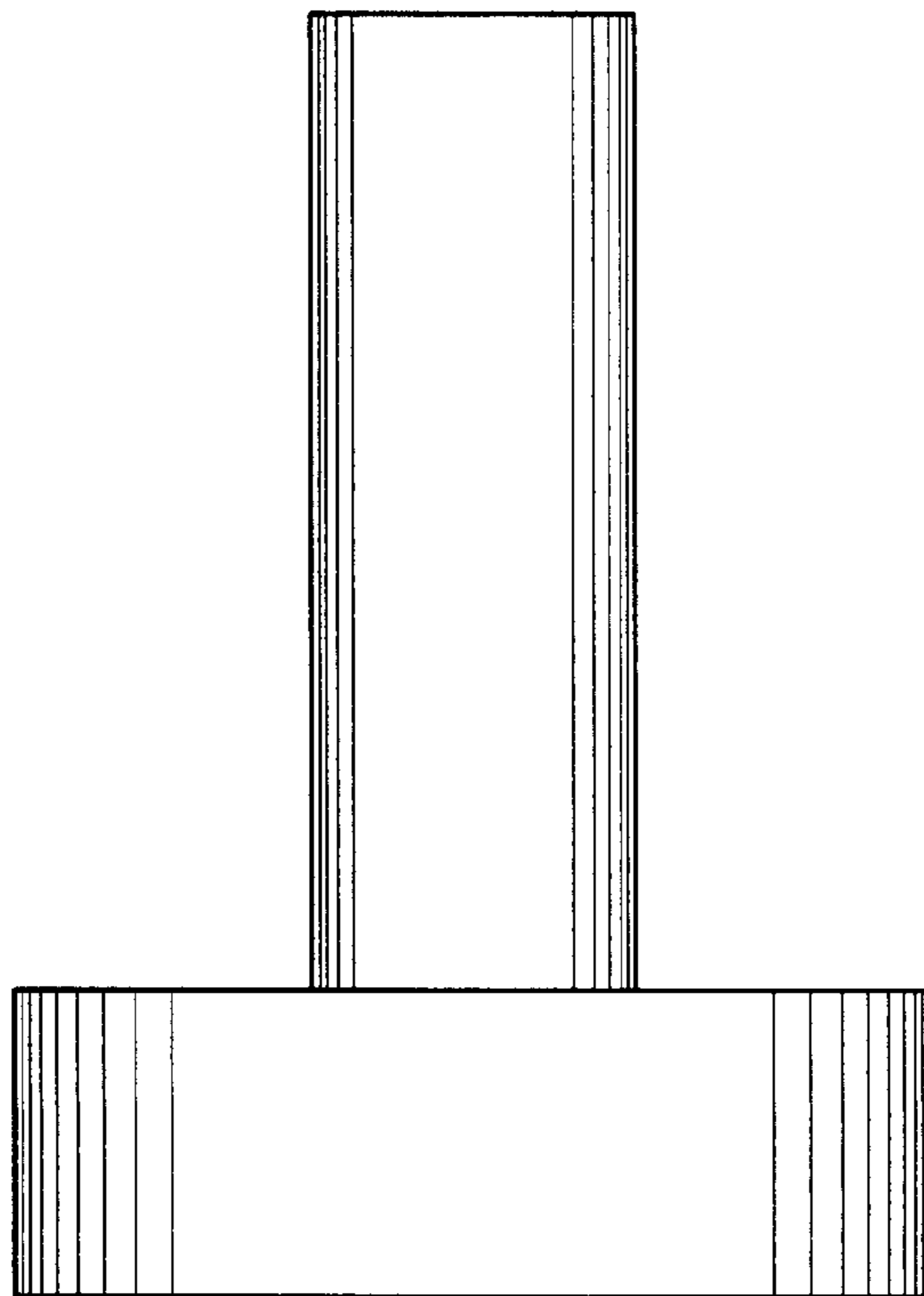


FIG. 3

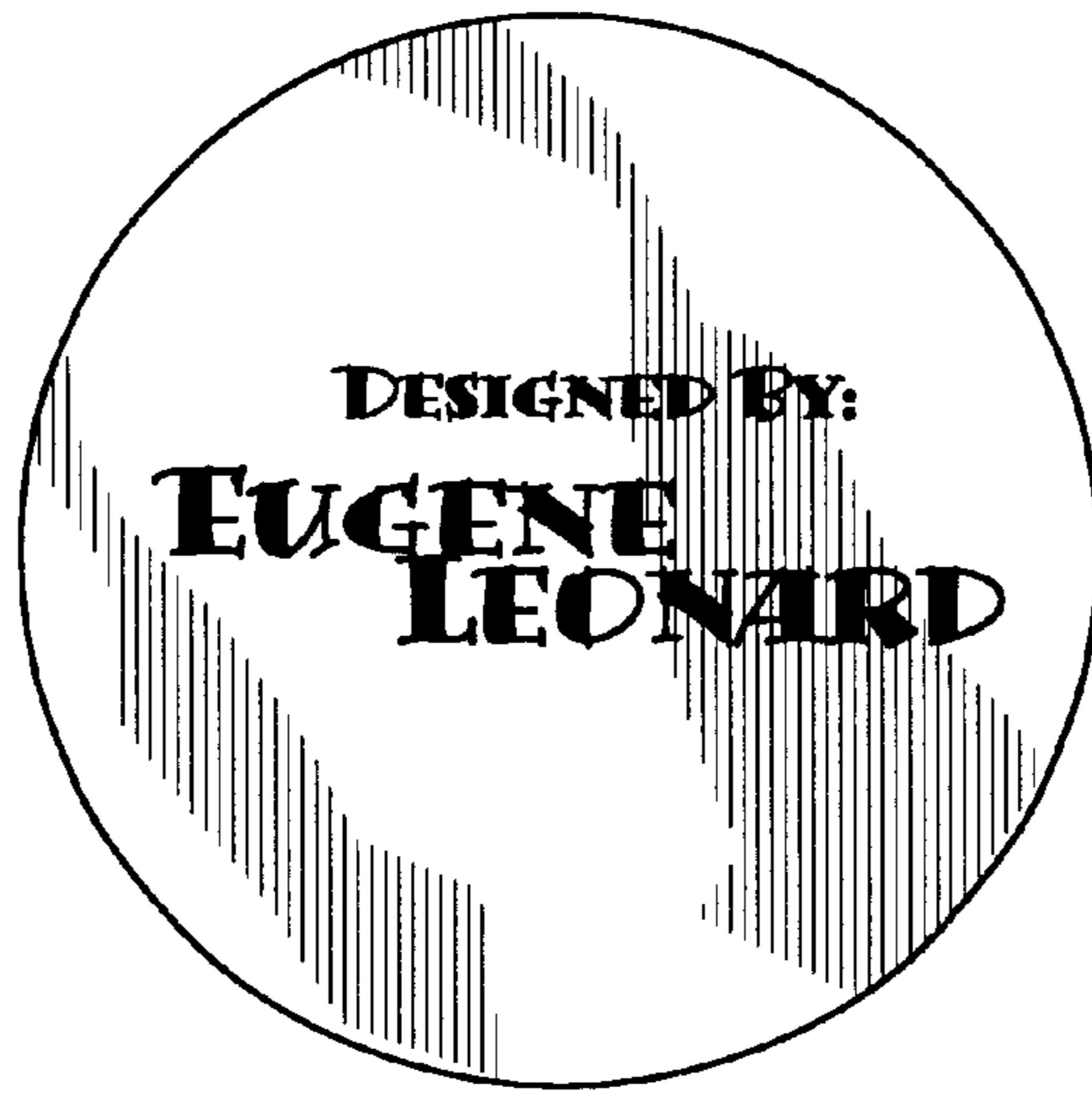


FIG. 4

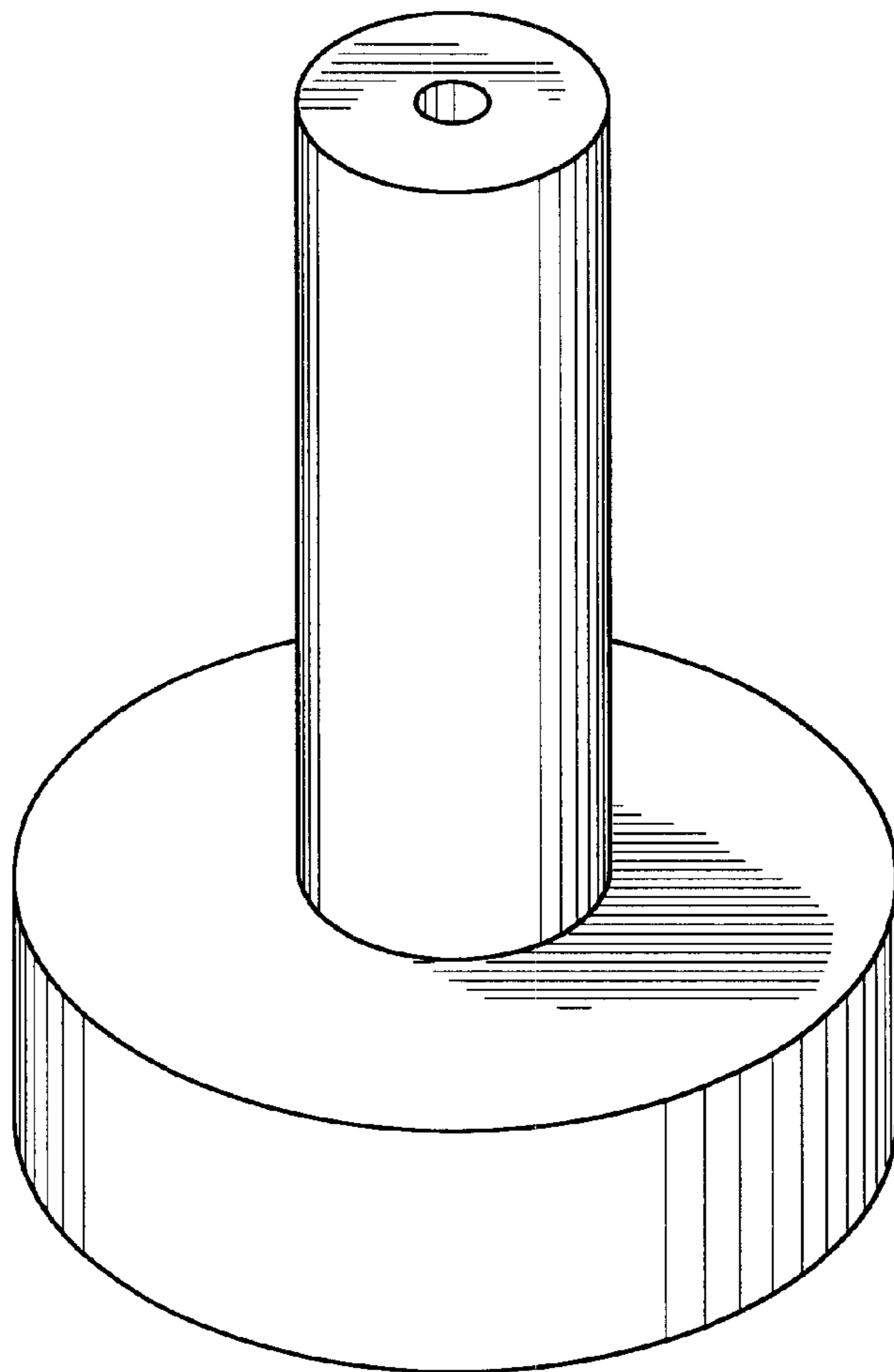


FIG. 5

