



US00D450433B1

(12) **United States Design Patent**
Savoie

(10) **Patent No.:** **US D450,433 S**

(45) **Date of Patent:** **** Nov. 20, 2001**

(54) **REMOVABLE CLEAT**

(75) Inventor: **Armand J. Savoie**, Gardner, MA (US)

(73) Assignee: **MacNeill Engineering company, Inc.**,
Marlborough, MA (US)

(**) Term: **14 Years**

(21) Appl. No.: **29/141,302**

(22) Filed: **May 3, 2001**

(51) **LOC (7) Cl.** **02-04**

(52) **U.S. Cl.** **D2/962**

(58) **Field of Search** D2/962, 906; 36/127,
36/134, 67 R, 67 A, 67 B, 67 C, 59 A,
59 B, 59 R, 61, 62, 64, 65, 66

(56) **References Cited**

U.S. PATENT DOCUMENTS

D. 26,587 * 2/1897 Rowe D2/962
D. 198,123 * 5/1964 Grant D2/962

5,025,576 * 6/1991 Biasotto et al. 36/134
5,655,317 * 8/1997 Grant 36/134

* cited by examiner

Primary Examiner—Louis S. Zarfes

Assistant Examiner—Gregory Andoll

(74) *Attorney, Agent, or Firm*—Bromberg & Sunstein LLP

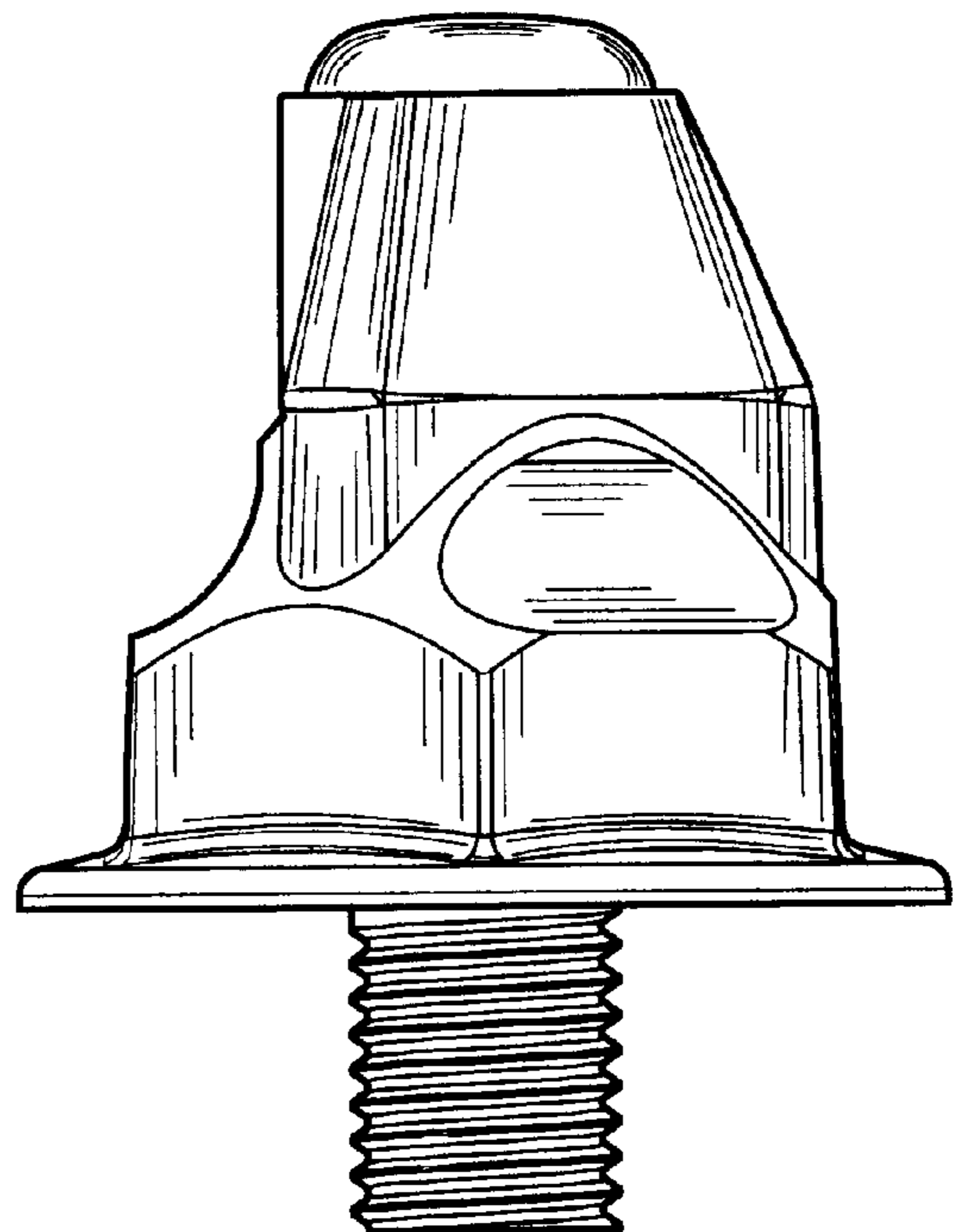
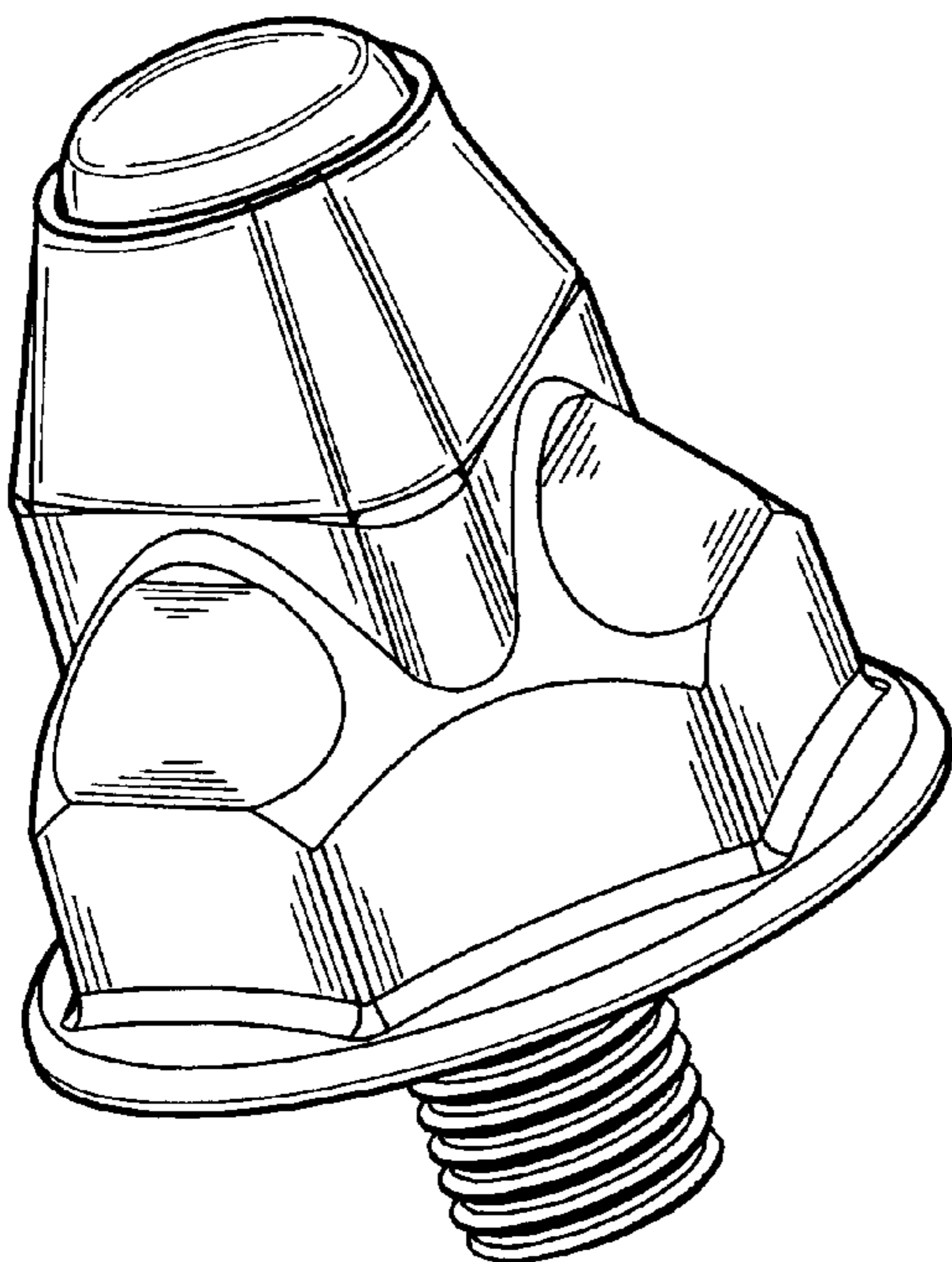
(57) **CLAIM**

The ornamental design for a removable cleat, as shown and described.

DESCRIPTION

FIG. 1 shows an elevated top view of the removable cleat according to a preferred embodiment; FIG. 2 shows a top plan view of the cleat of FIG. 1; FIG. 3 shows a bottom plan view of the cleat of FIG. 1; FIG. 4 shows a front side view of the cleat of FIG. 1; FIG. 5 shows a left side view of the cleat of FIG. 1; and, FIG. 6 shows a right side view of the cleat of FIG. 1.

1 Claim, 1 Drawing Sheet



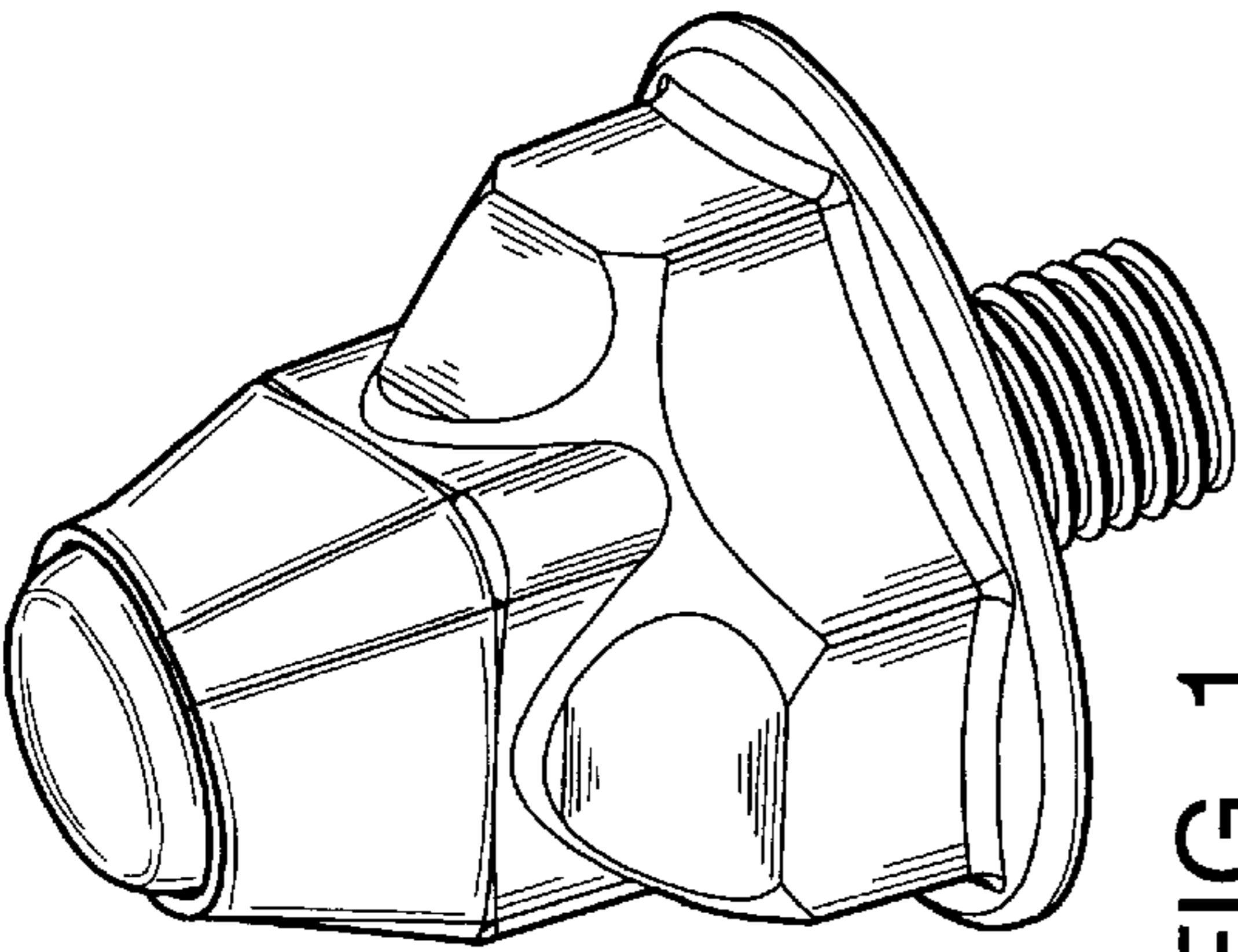


FIG. 1

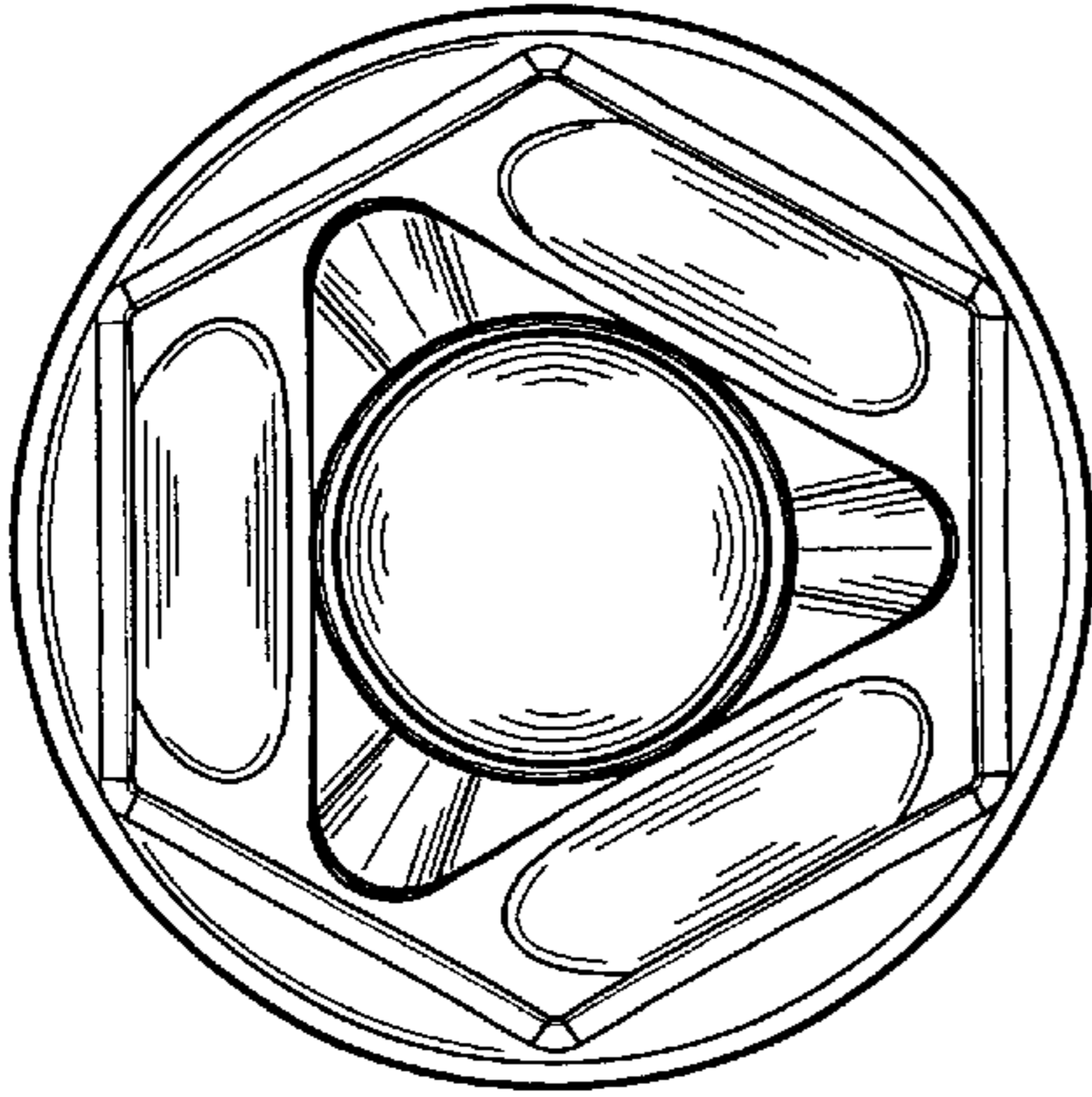


FIG. 2

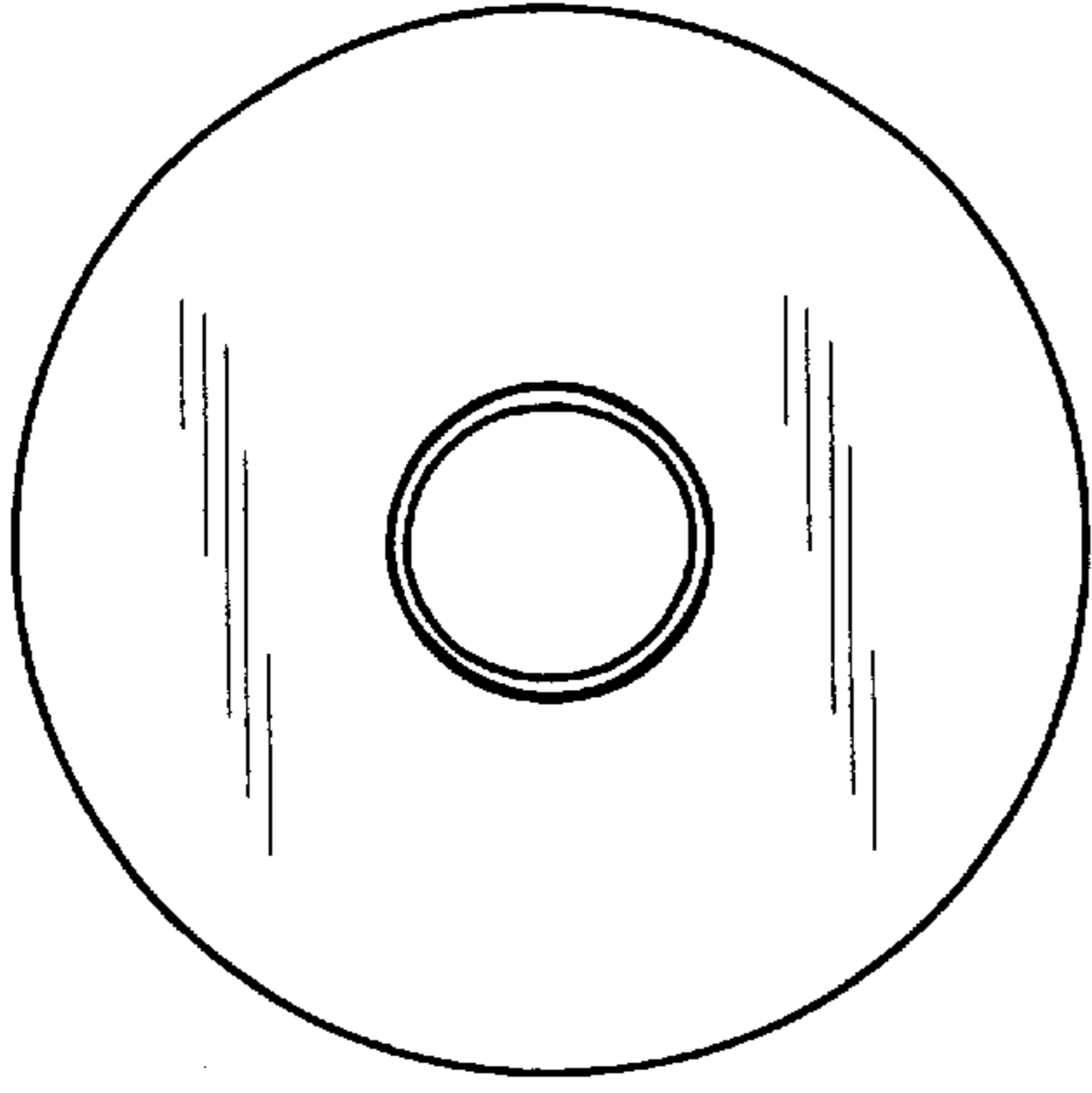


FIG. 3

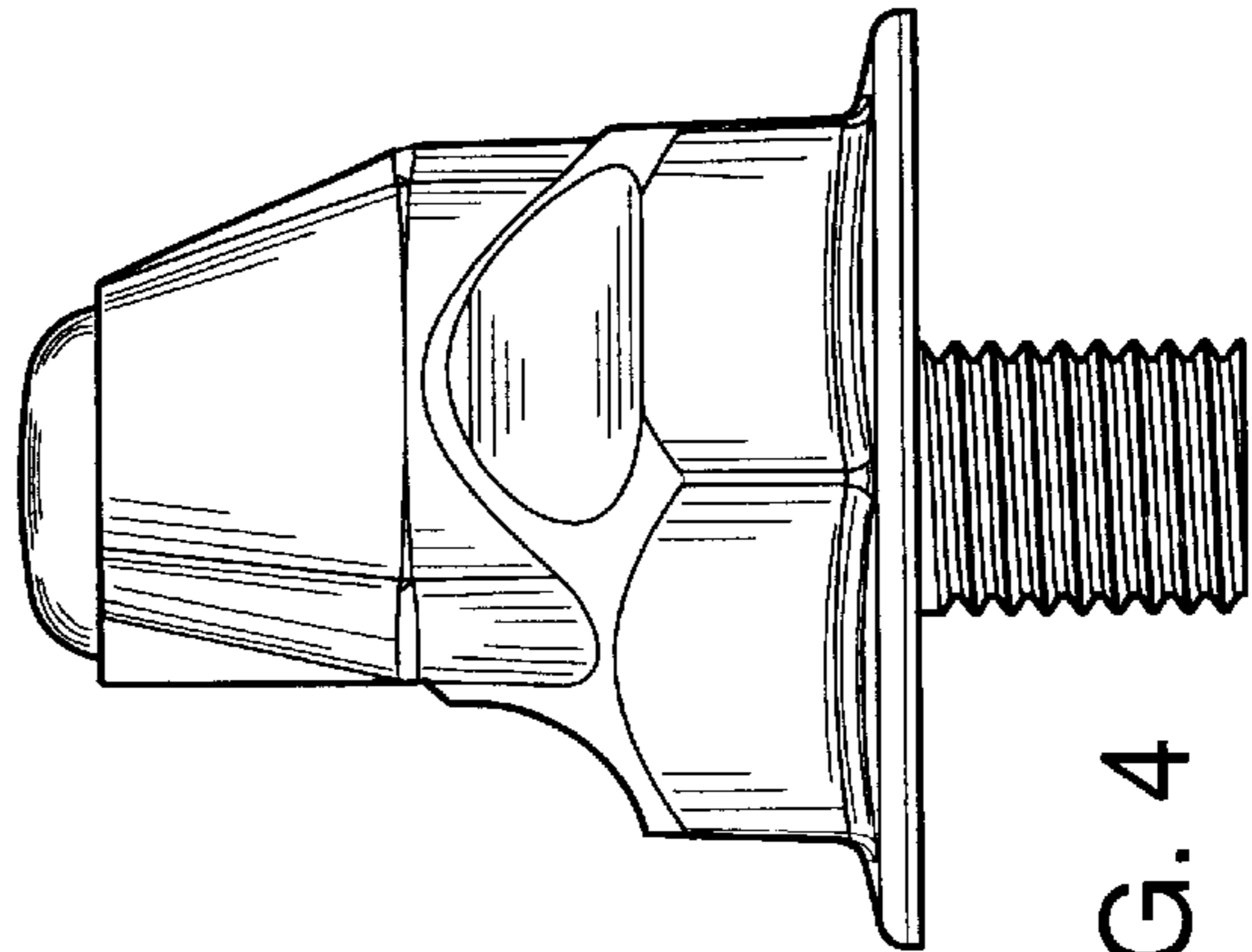


FIG. 4

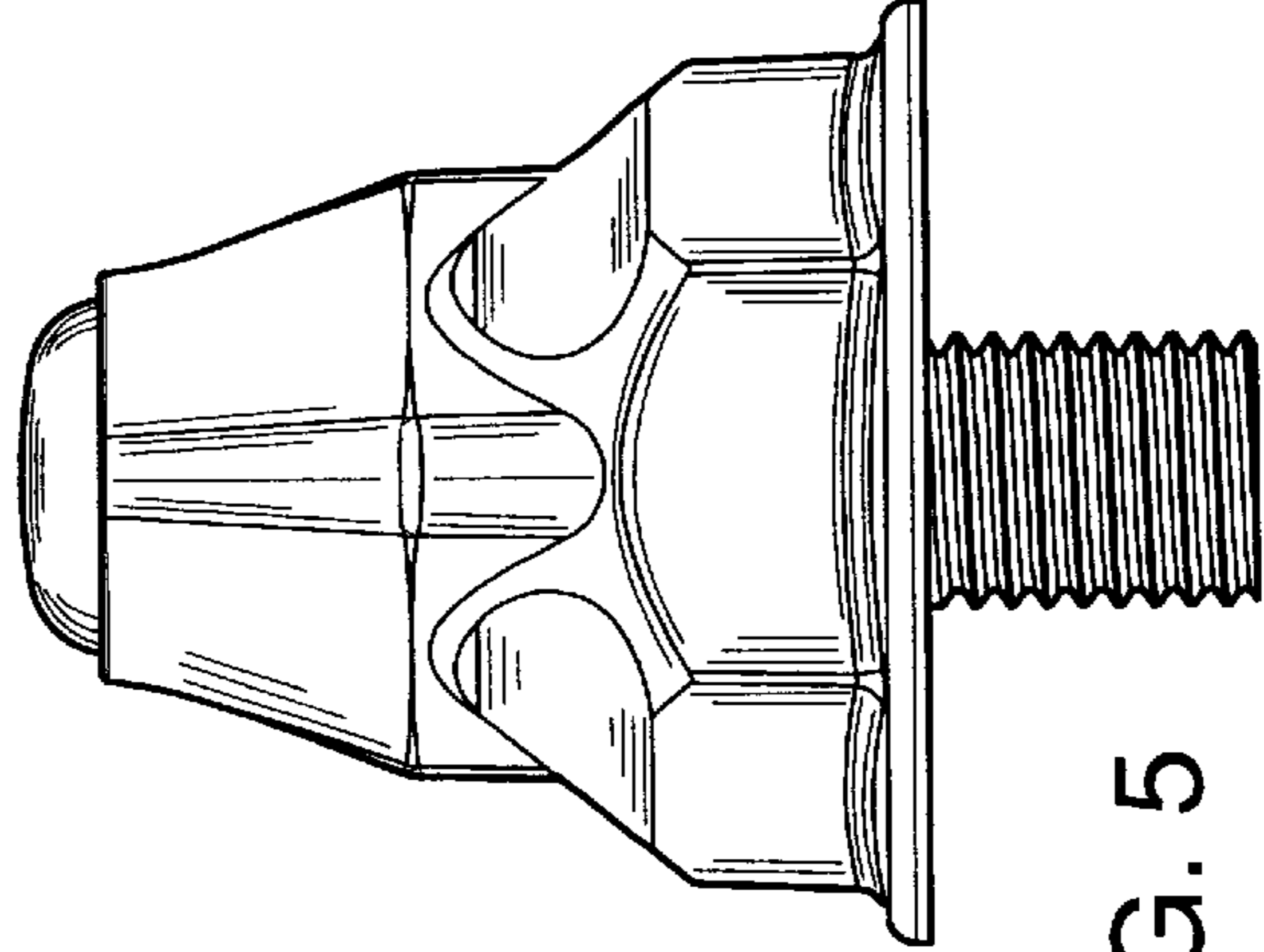


FIG. 5

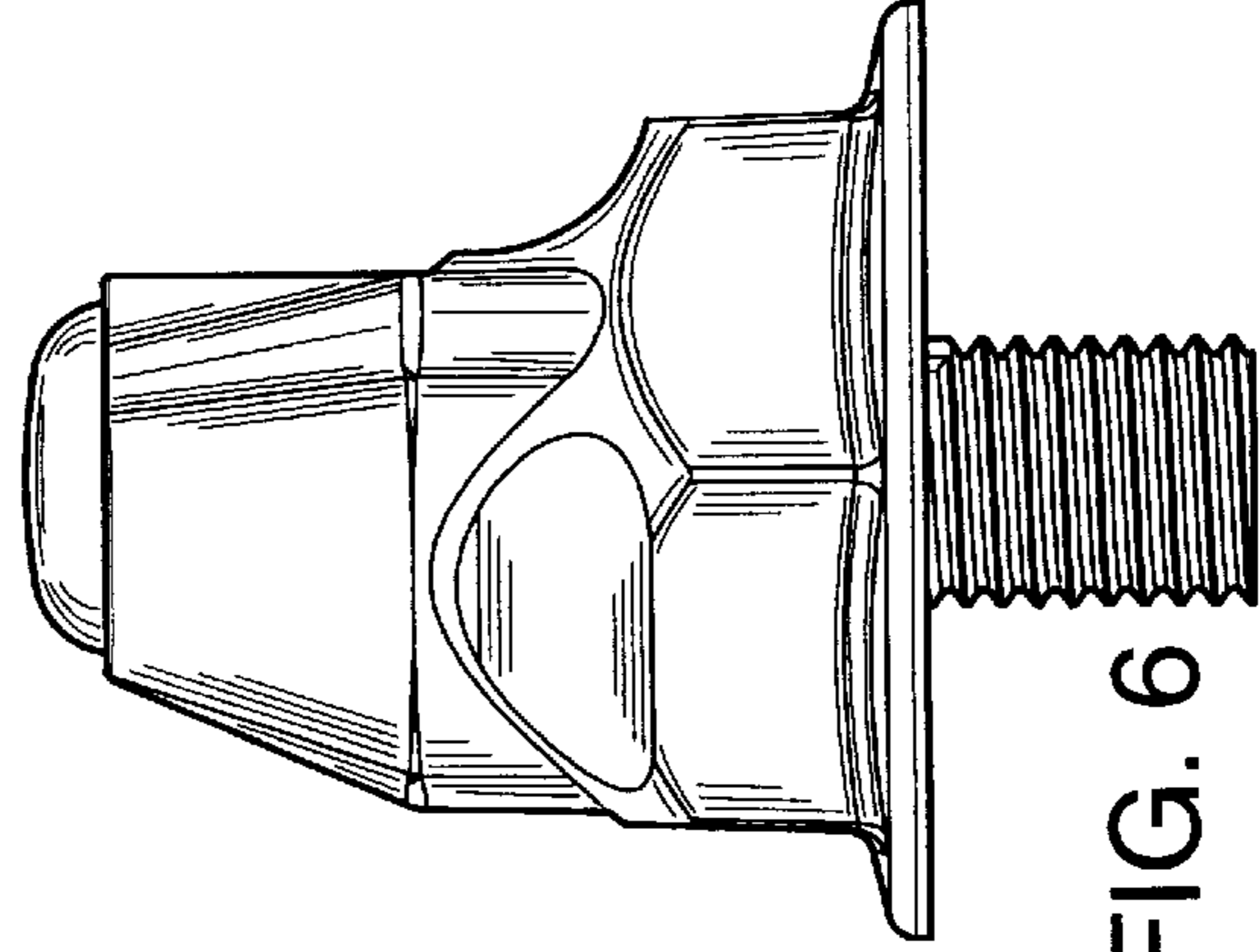


FIG. 6