



US00D450430B1

(12) **United States Design Patent**
Yu

(10) **Patent No.:** **US D450,430 S**

(45) **Date of Patent:** **** Nov. 20, 2001**

(54) **CLAMPER**

6,154,984 * 12/2000 Adam 36/134

(76) **Inventor:** **Yi-Ting Yu**, No. 111, Ta-Ping Rd.,
Heng-Chun Town, Ping-Tung Hsien
(TW)

* cited by examiner

(**) **Term:** **14 Years**

Primary Examiner—Louis S. Zarfes
Assistant Examiner—Gregory Andoll
(74) *Attorney, Agent, or Firm*—Michael D. Bednarek;
Shaw Pittman LLP

(21) **Appl. No.:** **29/131,660**

(57) **CLAIM**

(22) **Filed:** **Oct. 27, 2000**

The ornamental design for a clasper, as shown and described.

(51) **LOC (7) Cl.** **02-04**

(52) **U.S. Cl.** **D2/962**

(58) **Field of Search** D2/962, 906; 36/127,
36/134, 67 R, 67 A, 67 B, 67 C, 59 A,
59 B, 59 R, 61, 62, 64, 65, 66

DESCRIPTION

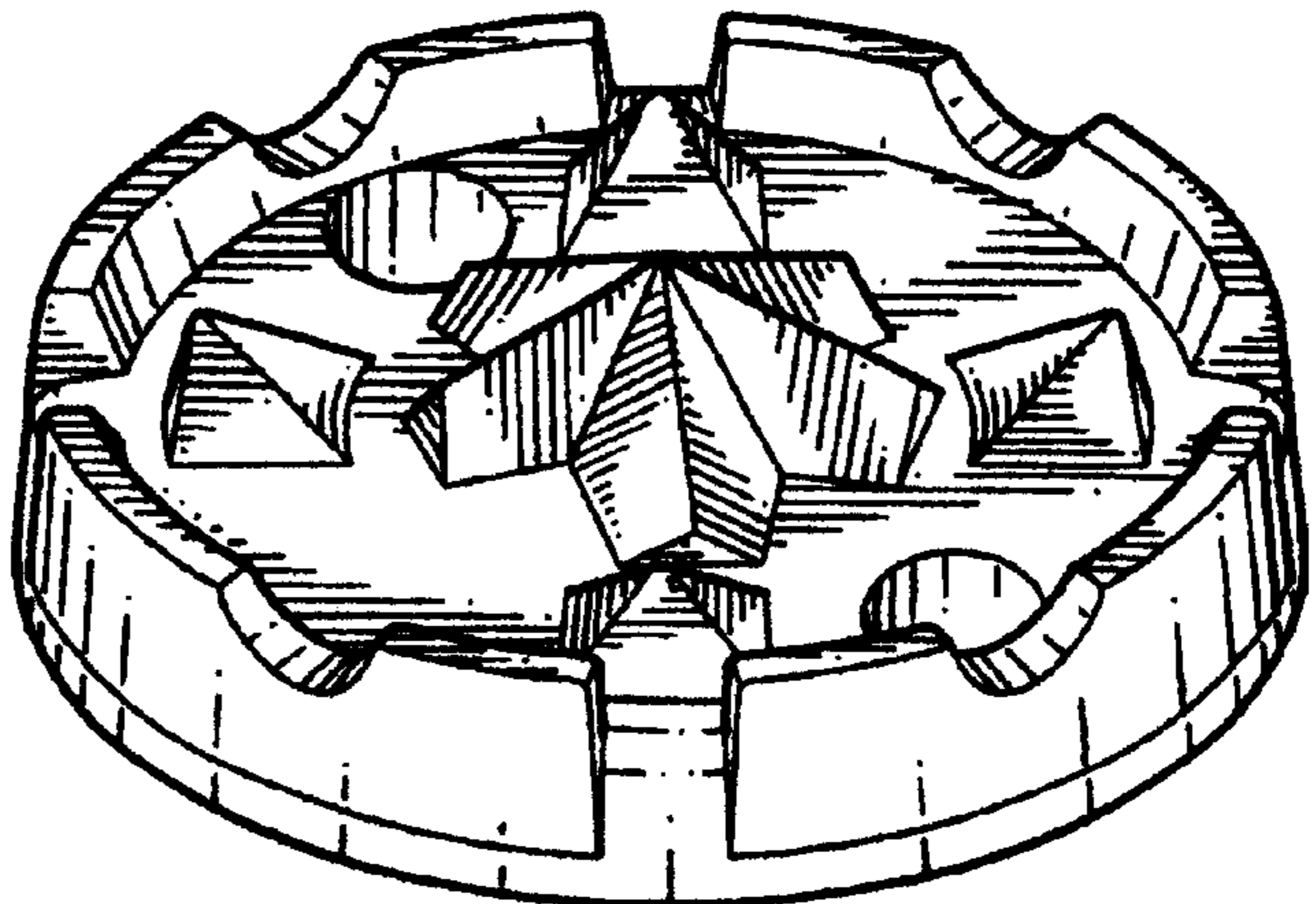
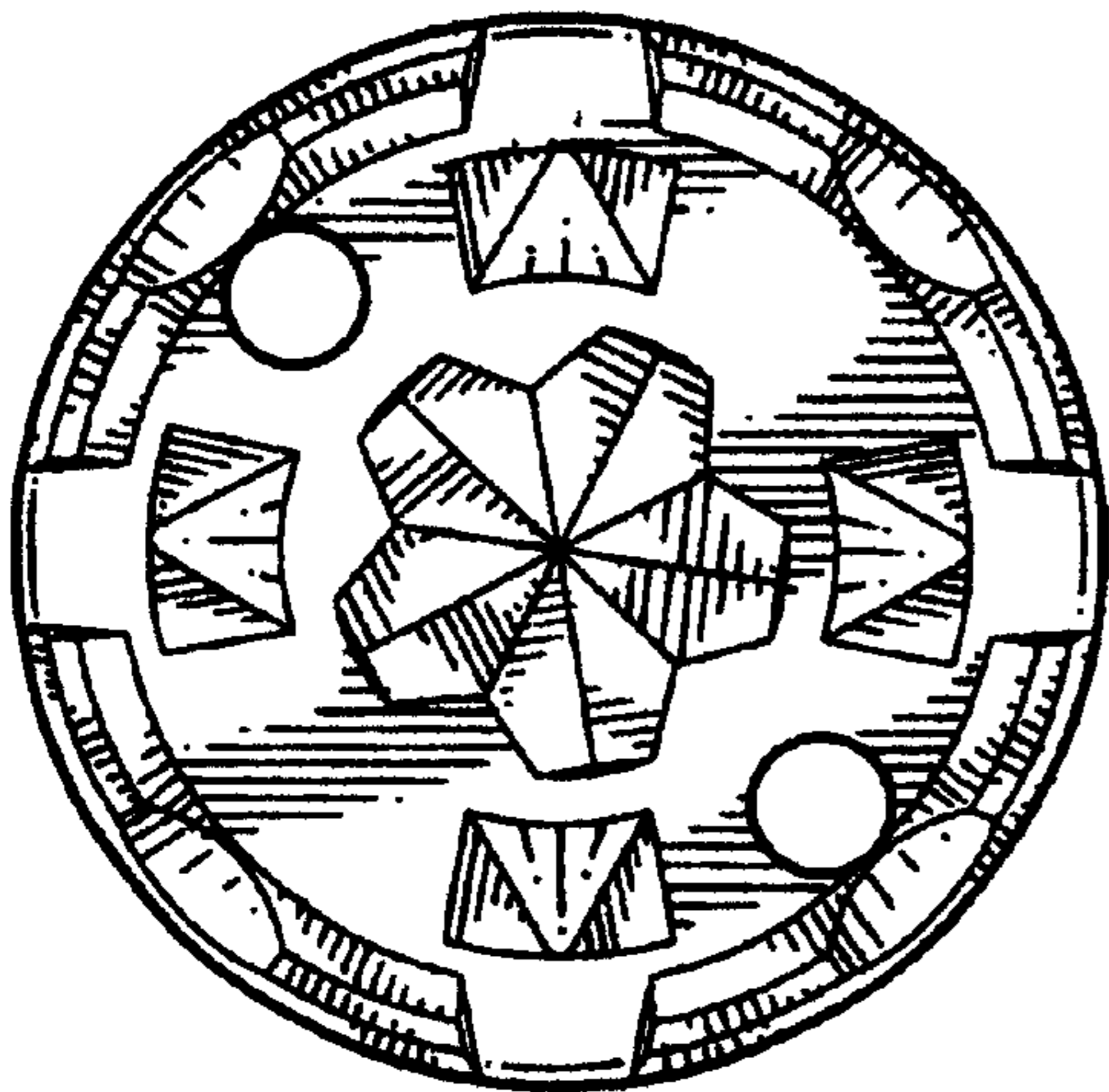
FIG. 1 is a front elevation of a clasper;
FIG. 2 is a left side elevation thereof;
FIG. 3 is a right side elevation thereof;
FIG. 4 is a bottom plane view thereof;
FIG. 5 is a top plane view thereof;
FIG. 6 is a rear elevation thereof; and,
FIG. 7 is a perspective view thereof.

(56) **References Cited**

U.S. PATENT DOCUMENTS

- D. 389,997 * 2/1998 Adam D2/962
- D. 414,025 * 9/1999 Adam D2/962
- D. 430,968 * 9/2000 Carroll D2/962

1 Claim, 4 Drawing Sheets



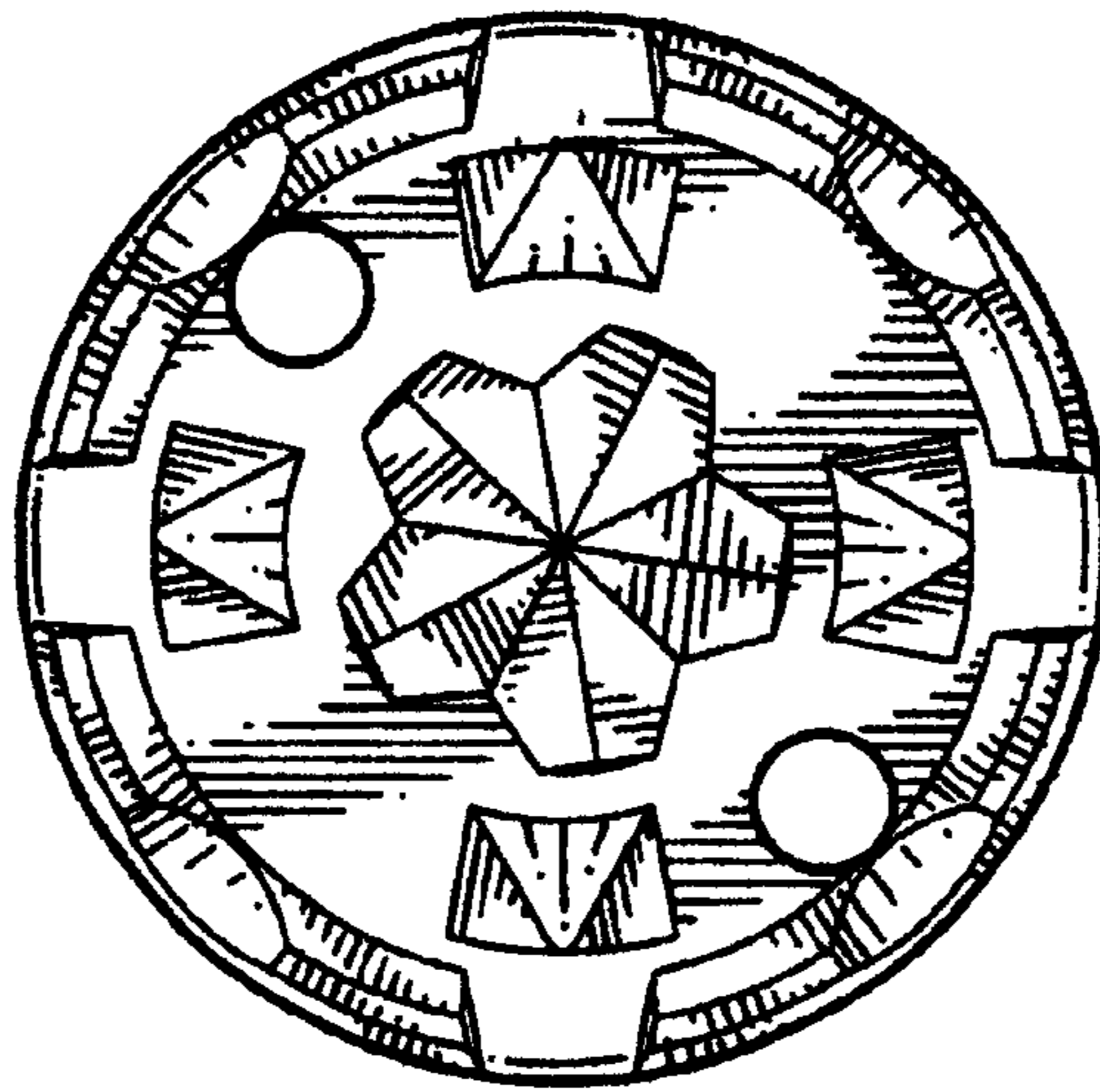


Fig. 1

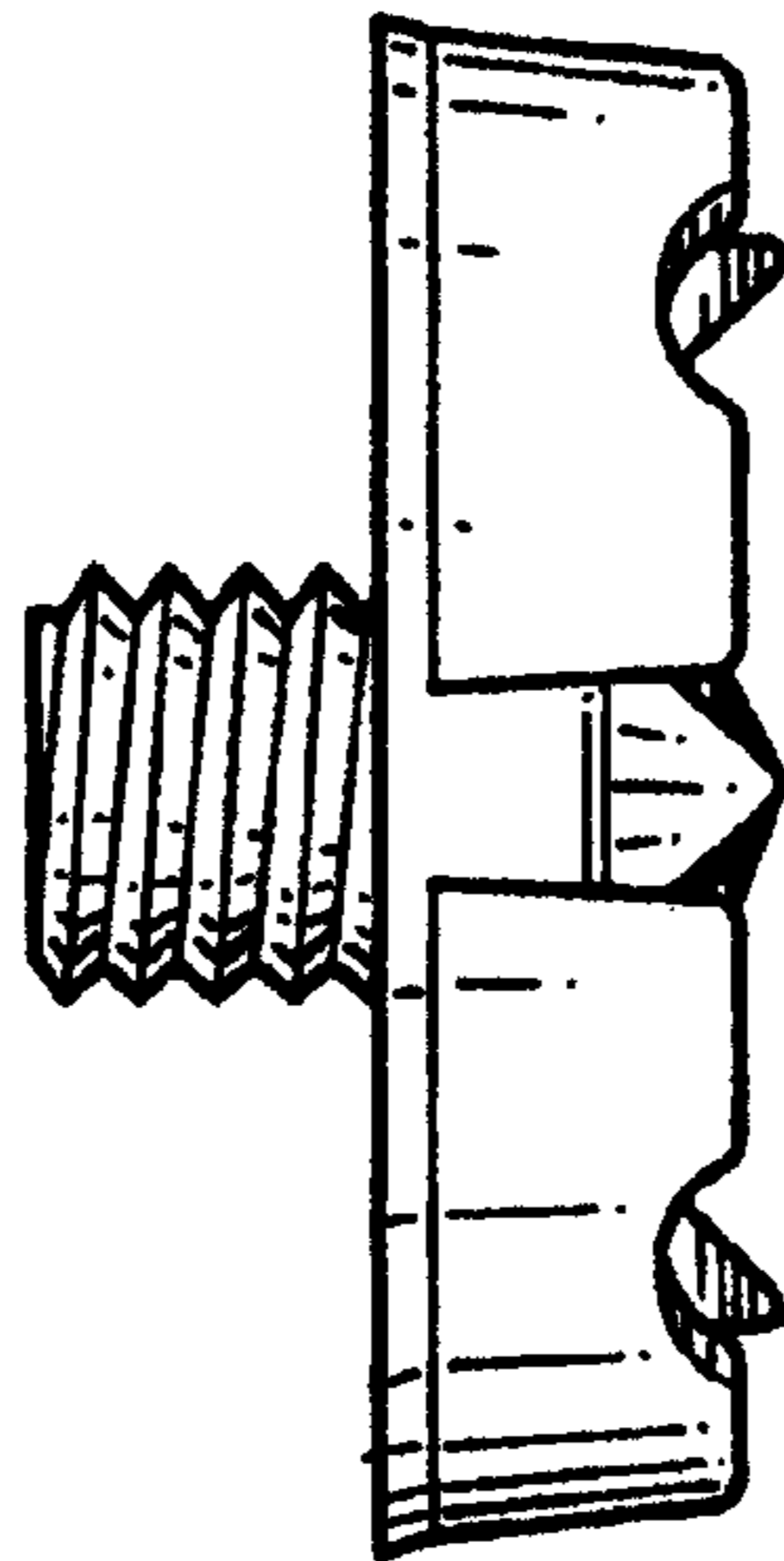


Fig. 2

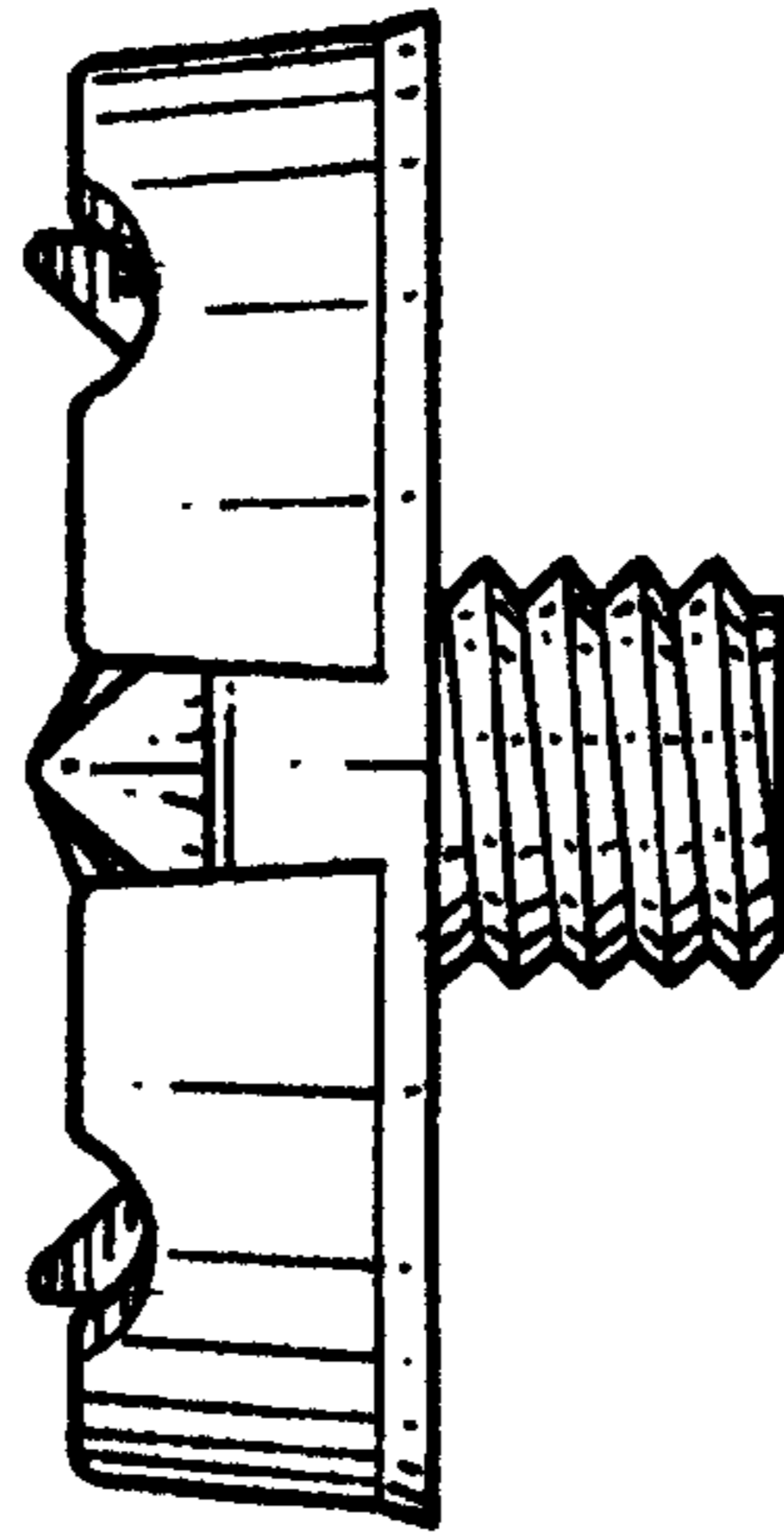


Fig. 3

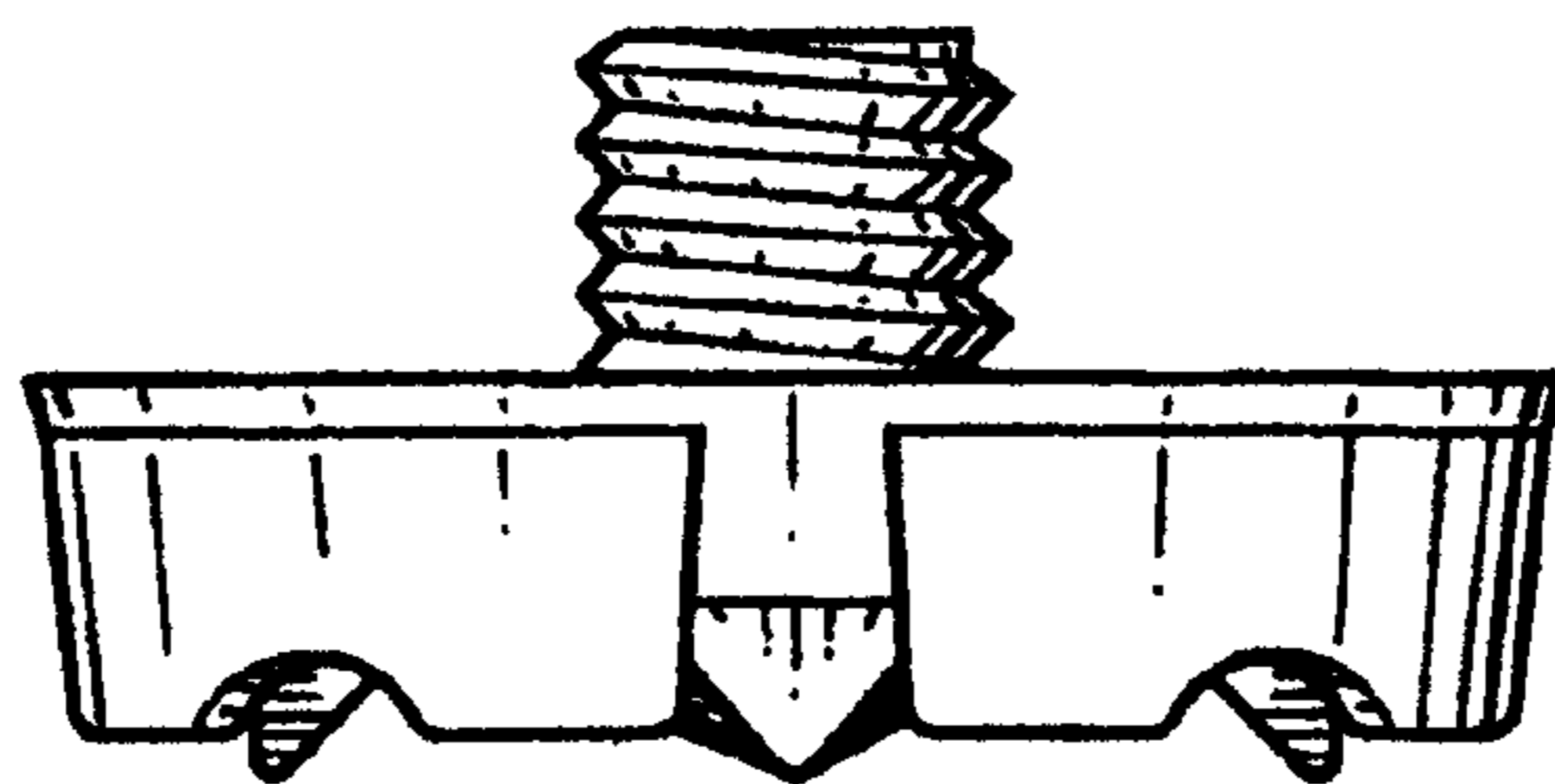


Fig. 4

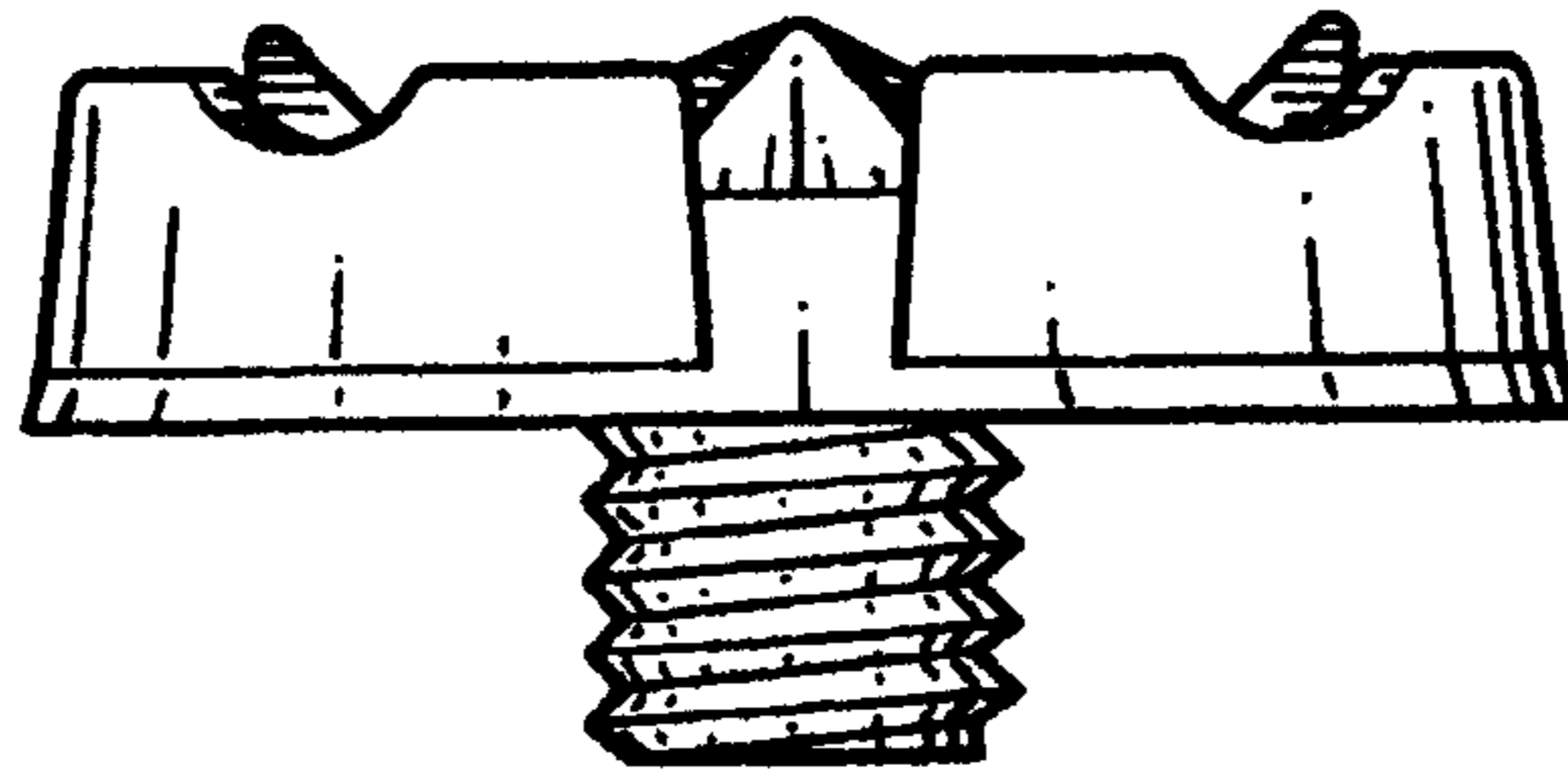


Fig. 5

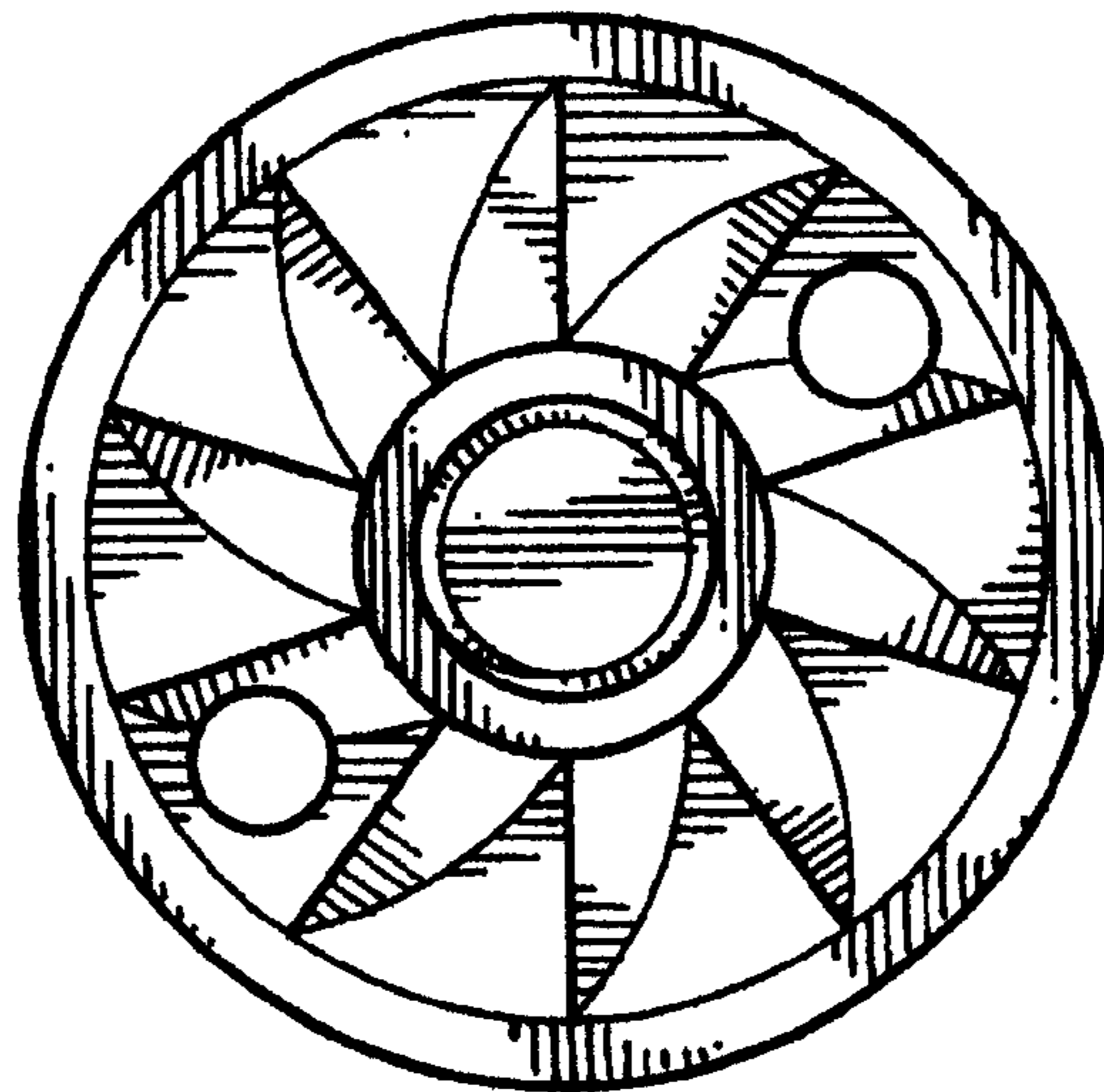


Fig. 6

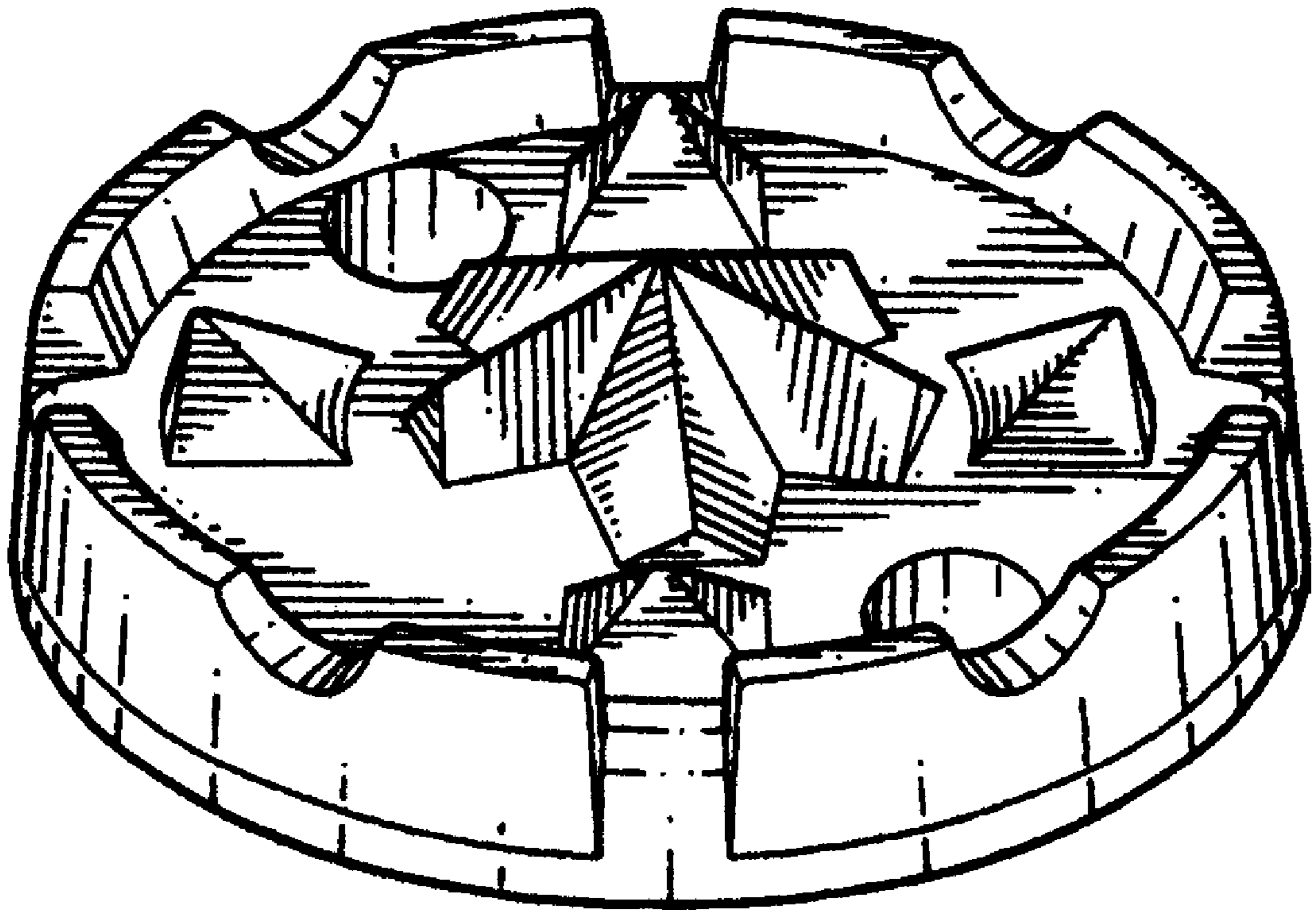


Fig. 7