



US00D450416B1

(12) **United States Design Patent**  
**Liao**

(10) **Patent No.:** **US D450,416 S**

(45) **Date of Patent:** **\*\* Nov. 13, 2001**

(54) **GOLF CART**

6,079,718 \* 6/2000 Liao ..... 280/47.26  
6,126,184 \* 10/2000 Liao ..... 280/47.371

(75) Inventor: **Gordon Liao, Yung Kang (TW)**

\* cited by examiner

(73) Assignee: **Unique Product & Design Co., Ltd.,  
Tainan Hsien (TW)**

*Primary Examiner*—Kay H. Chin

(74) *Attorney, Agent, or Firm*—Pro-Techtor International  
Services

(\*\*) Term: **14 Years**

(57) **CLAIM**

(21) Appl. No.: **29/141,352**

The ornamental design for a golf cart, as shown and  
described.

(22) Filed: **May 4, 2001**

(51) **LOC (7) Cl.** ..... **12-02**

**DESCRIPTION**

(52) **U.S. Cl.** ..... **D34/15**

FIG. 1 is a perspective view of a golf cart showing my new  
design;

(58) **Field of Search** ..... D34/12-27; 280/39,  
280/40, 645, 651, 652, 655, 47.17, 47.18,  
47.131, 47.24, 47.315, 47.26, 47.27, DIG. 6

FIG. 2 is a right side elevational view thereof;

FIG. 3 is a top plan view thereof;

FIG. 4 is a front elevational view thereof;

FIG. 5 is a bottom plan view thereof;

FIG. 6 is a left side elevational view thereof; and,

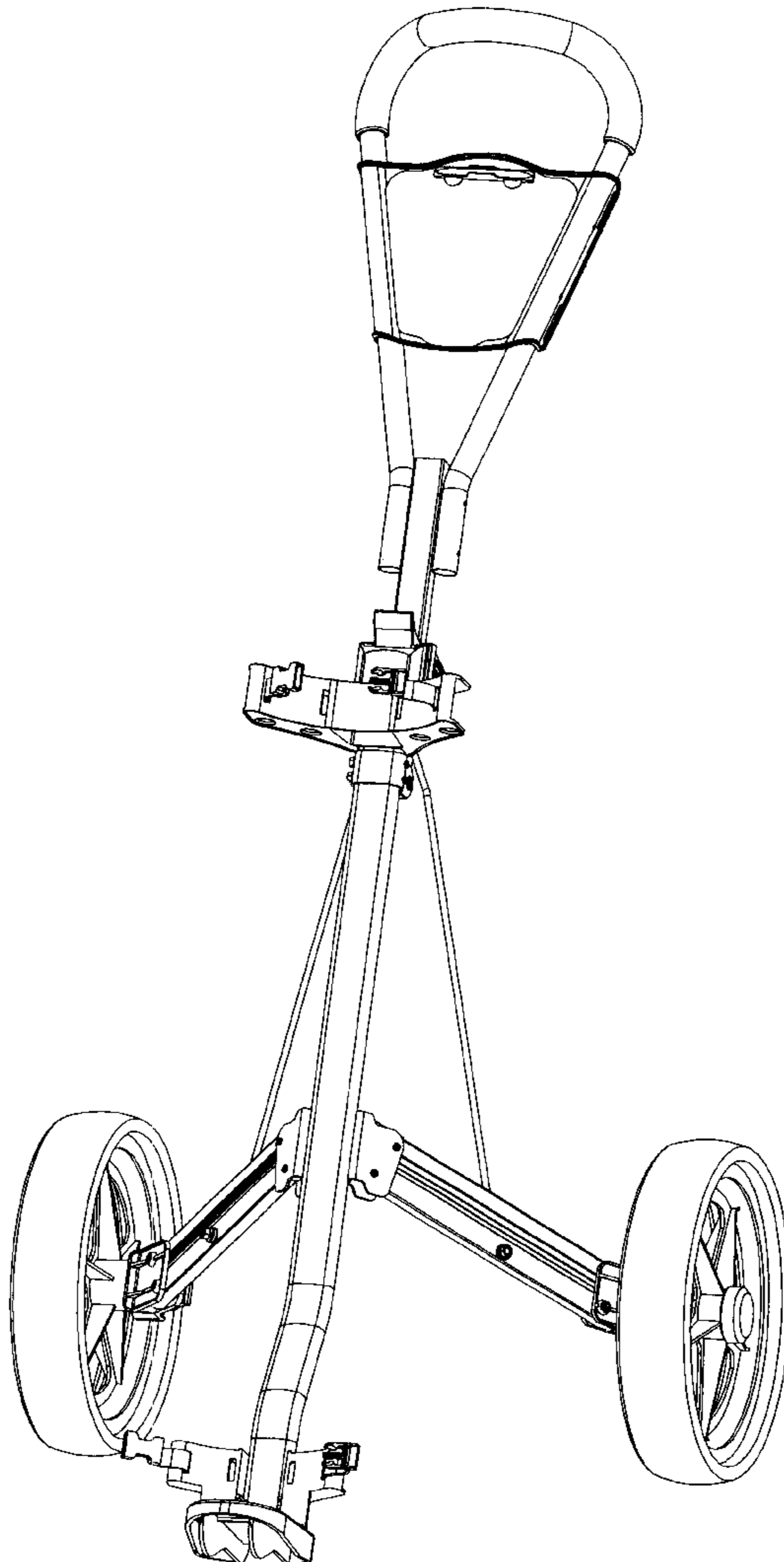
FIG. 7 is a rear elevational view.

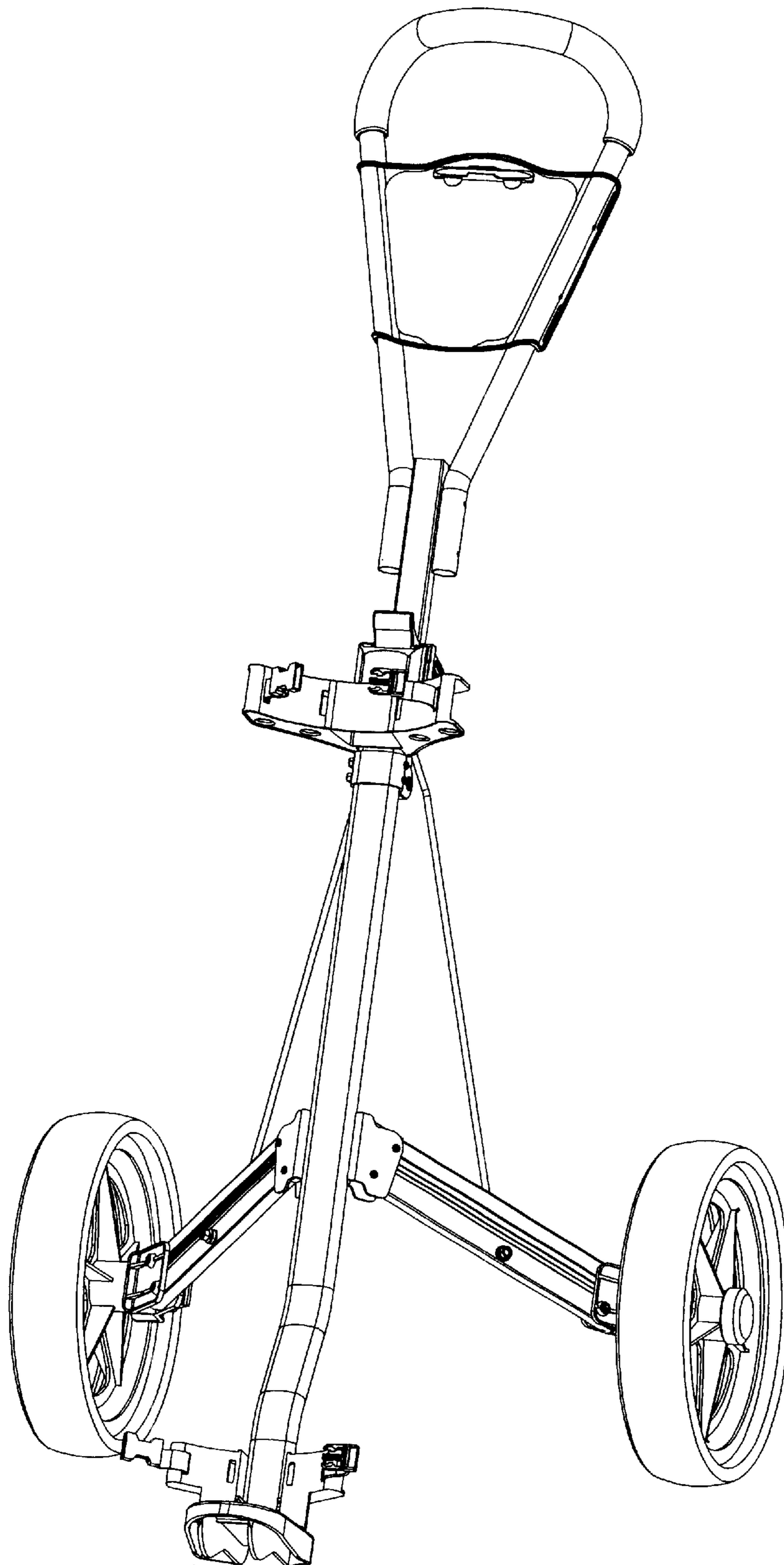
(56) **References Cited**

**U.S. PATENT DOCUMENTS**

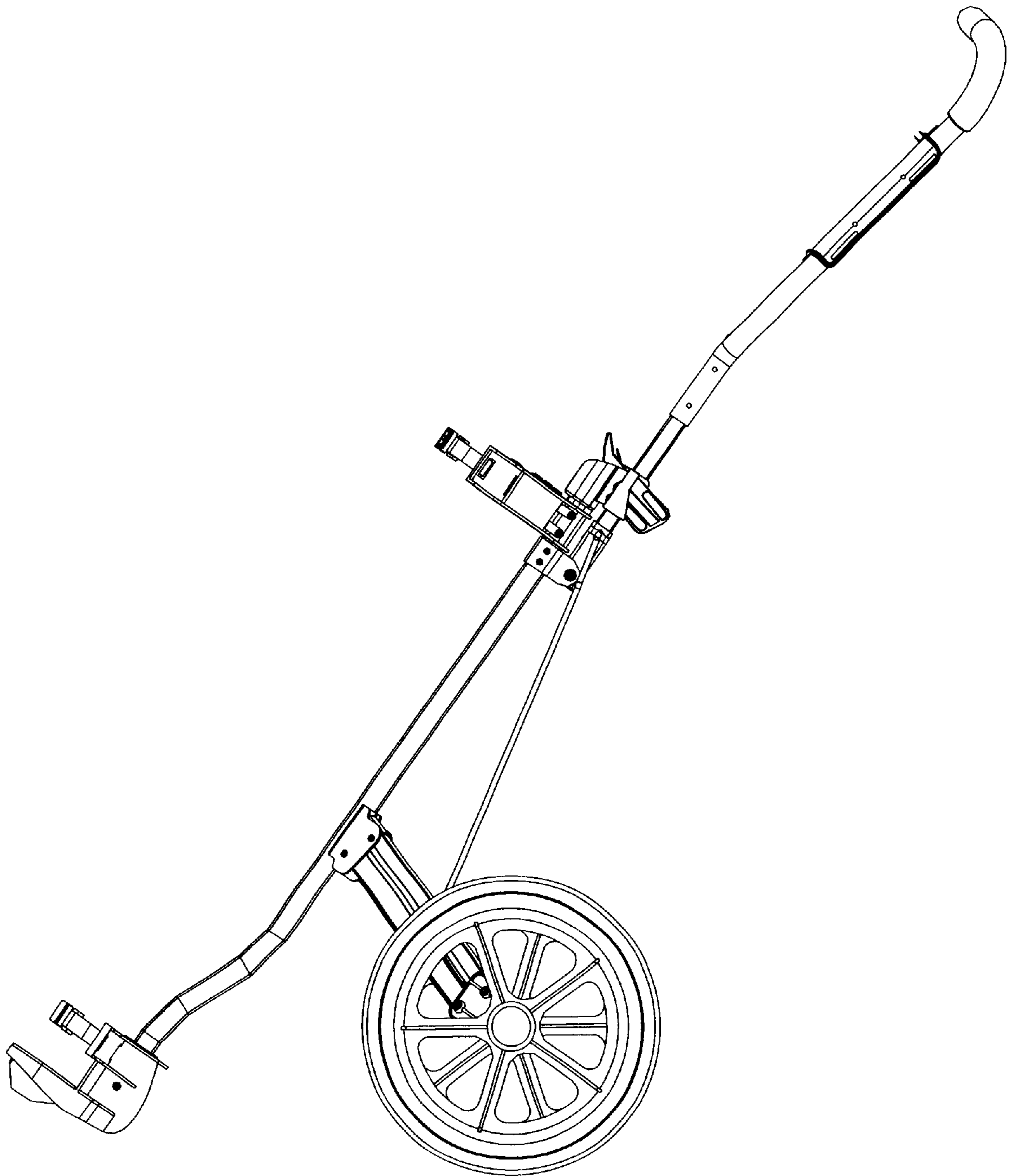
D. 391,731 \* 3/1998 Wu ..... D34/15  
5,409,253 \* 4/1995 Cheng ..... 280/646

**1 Claim, 7 Drawing Sheets**

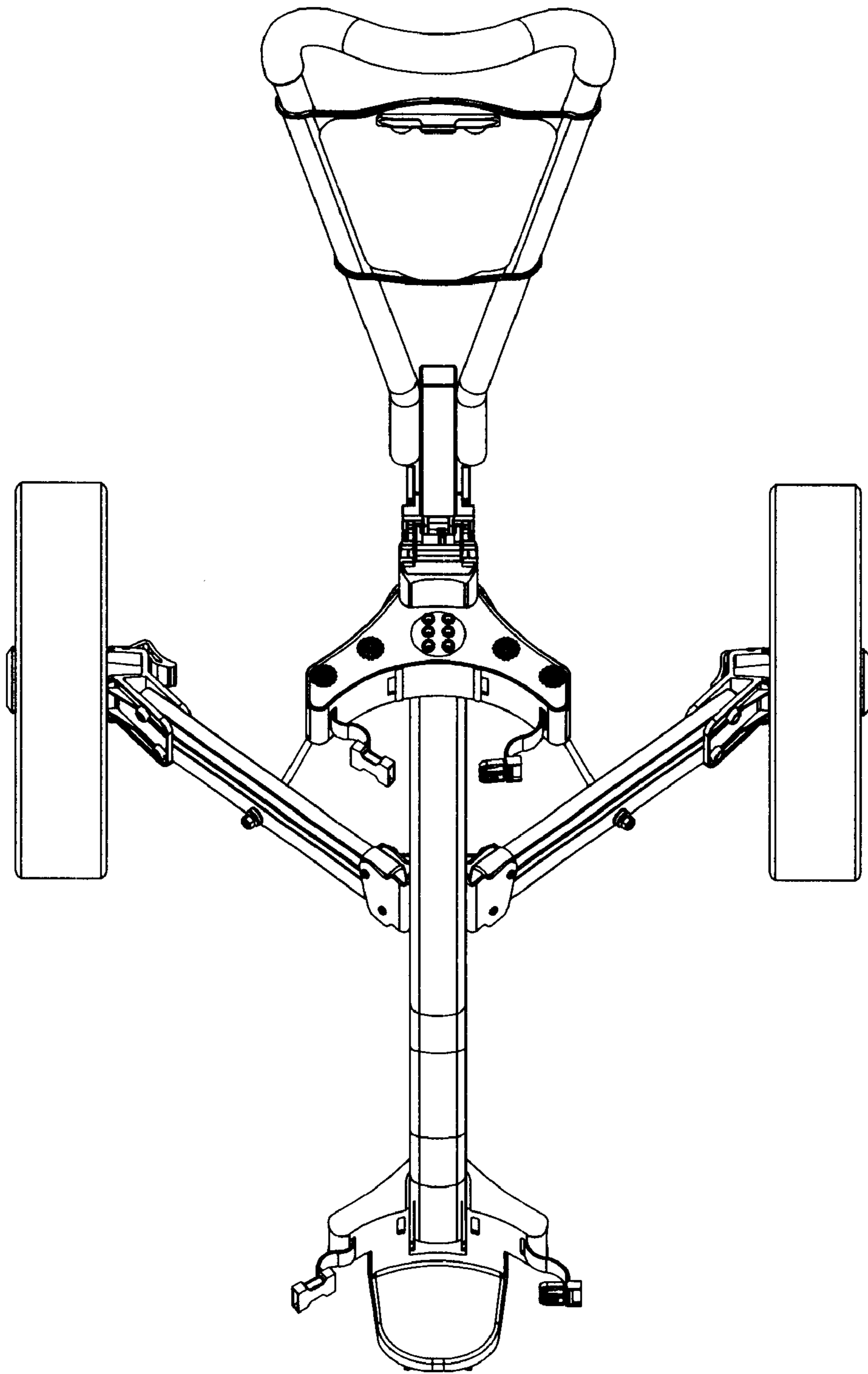




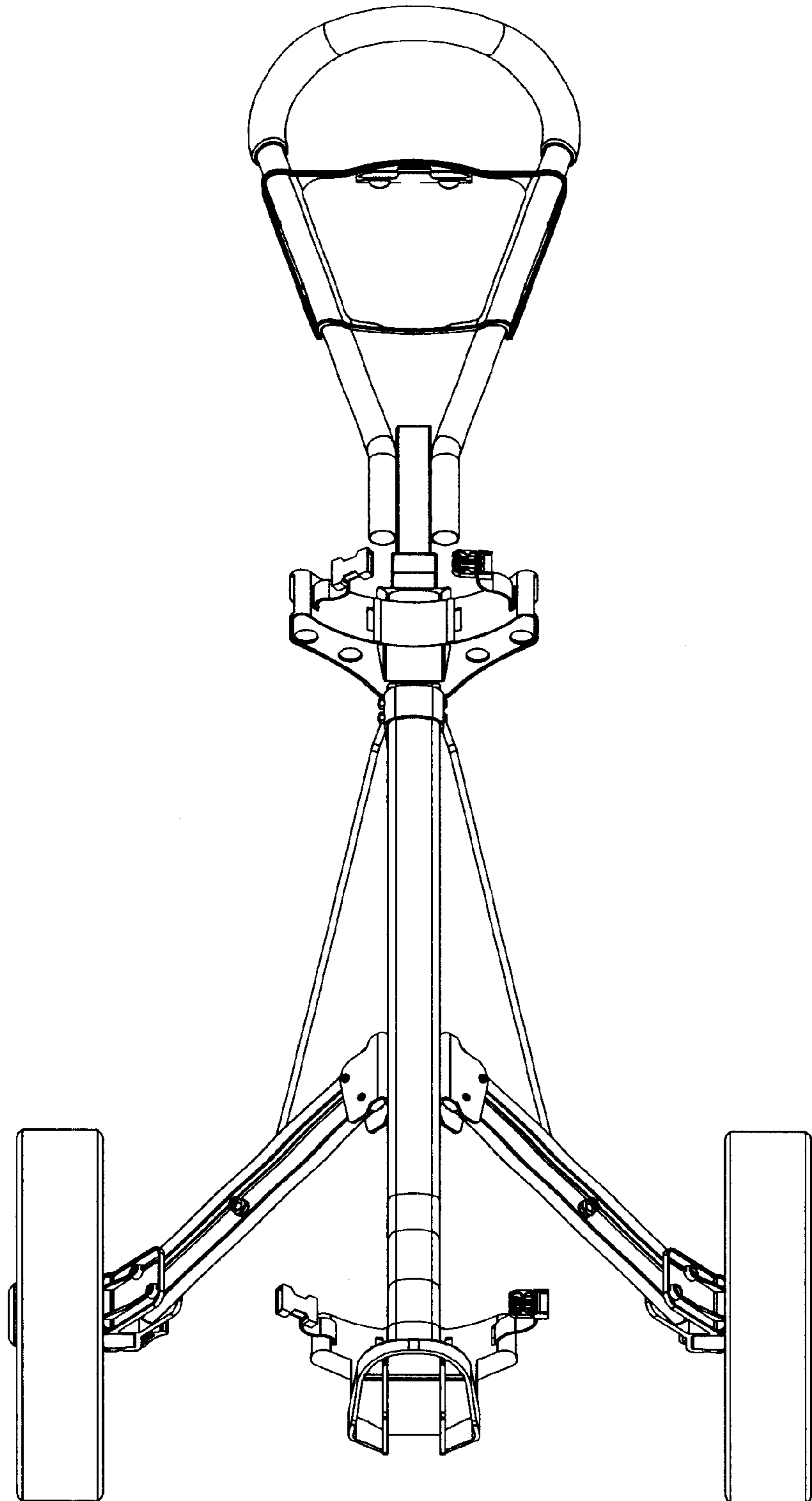
*FIG. 1*



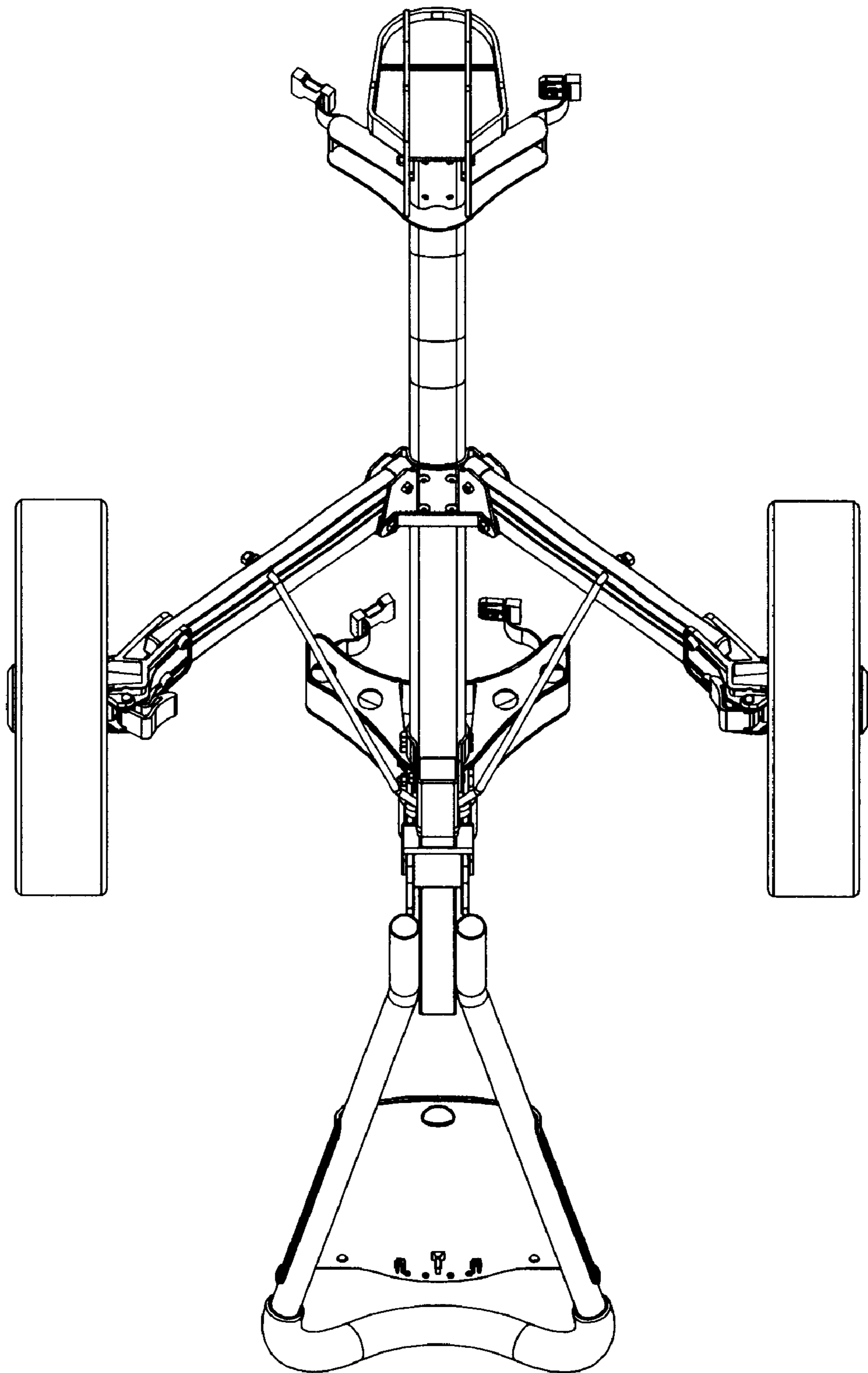
*FIG. 2*



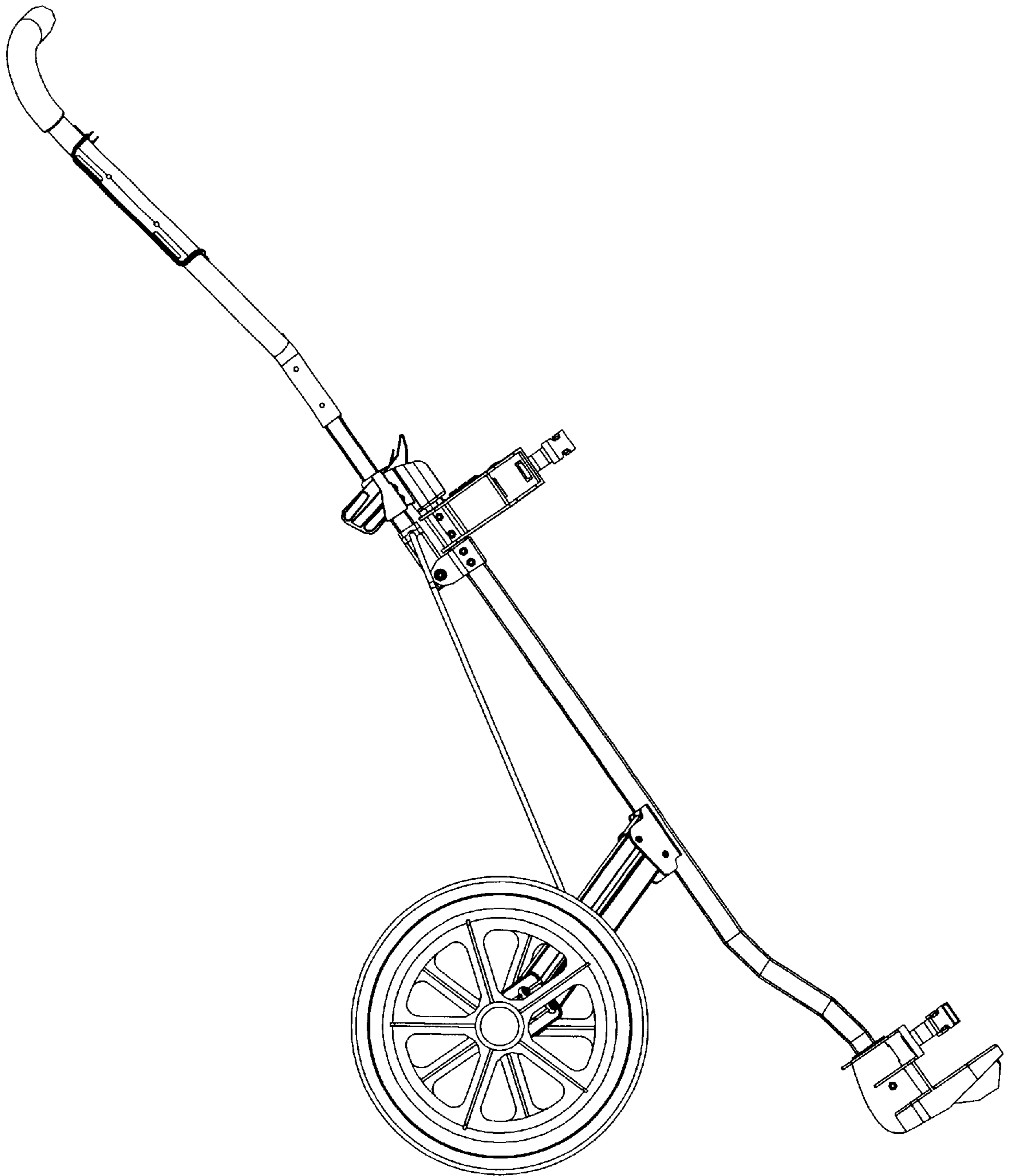
*FIG. 3*



*FIG. 4*



*FIG. 5*



*FIG. 6*

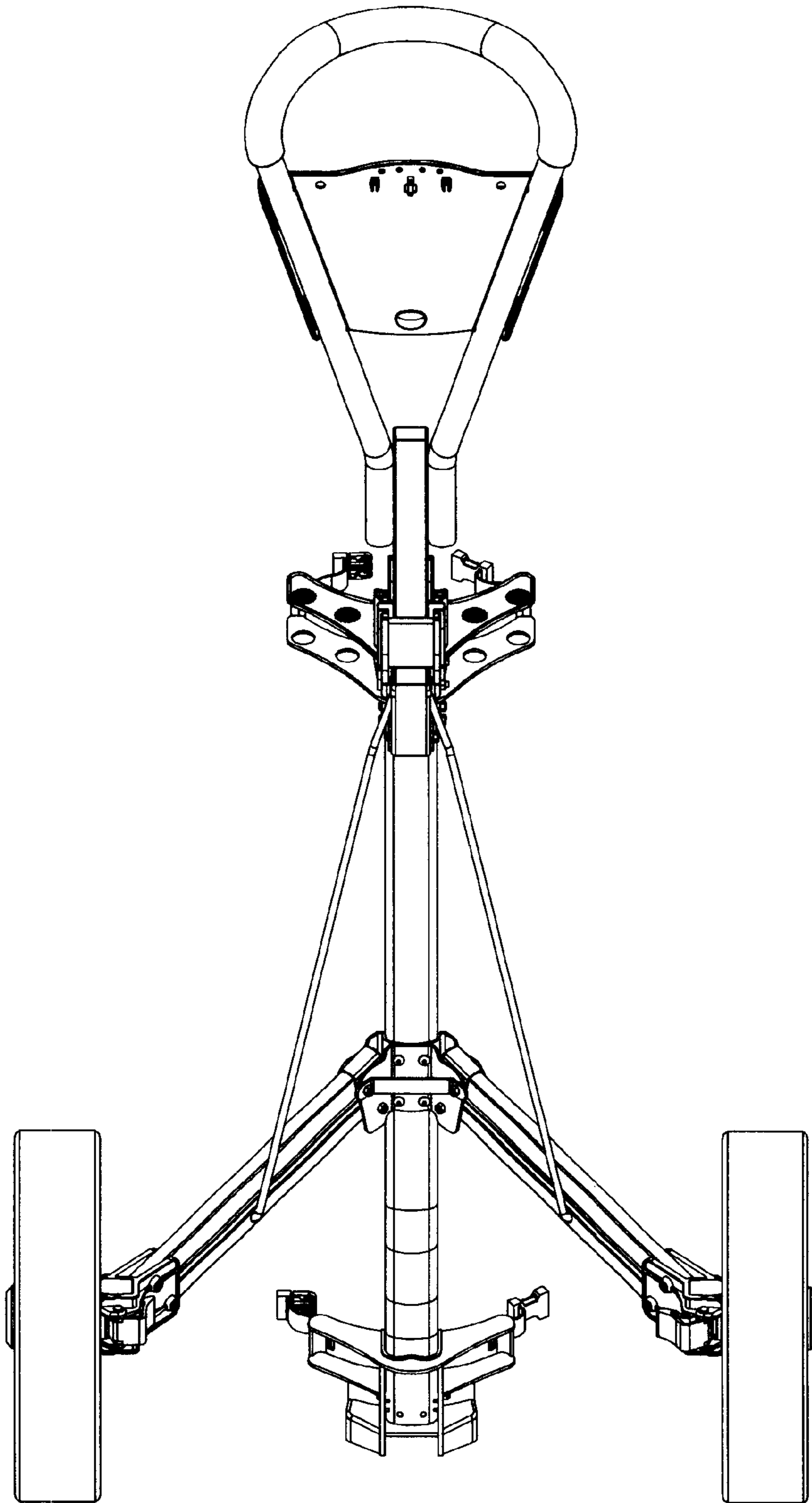


FIG. 7