



US00D450415B1

(12) **United States Design Patent**
Liao

(10) **Patent No.:** **US D450,415 S**

(45) **Date of Patent:** **** Nov. 13, 2001**

(54) **GOLF CART**

6,126,184 * 10/2000 Liao 280/47.371

(75) Inventor: **Gordon Liao, Yung Kang (TW)**

* cited by examiner

(73) Assignee: **Unique Product & Design Co., Ltd.,
Tainan Hsien (TW)**

Primary Examiner—Kay H. Chin

(74) *Attorney, Agent, or Firm*—Pro-Techtor International
Services

(**) Term: **14 Years**

(57) **CLAIM**

(21) Appl. No.: **29/136,729**

The ornamental design for a golf cart, as shown and
described.

(22) Filed: **Feb. 5, 2001**

(51) **LOC (7) Cl.** **12-02**

(52) **U.S. Cl.** **D34/15**

(58) **Field of Search** D34/12-27; 280/DIG. 6,
280/47.26, 40, 646, 652, 655, 39, 651,
47.17, 47.18, 47.131, 47.24, 47.27

DESCRIPTION

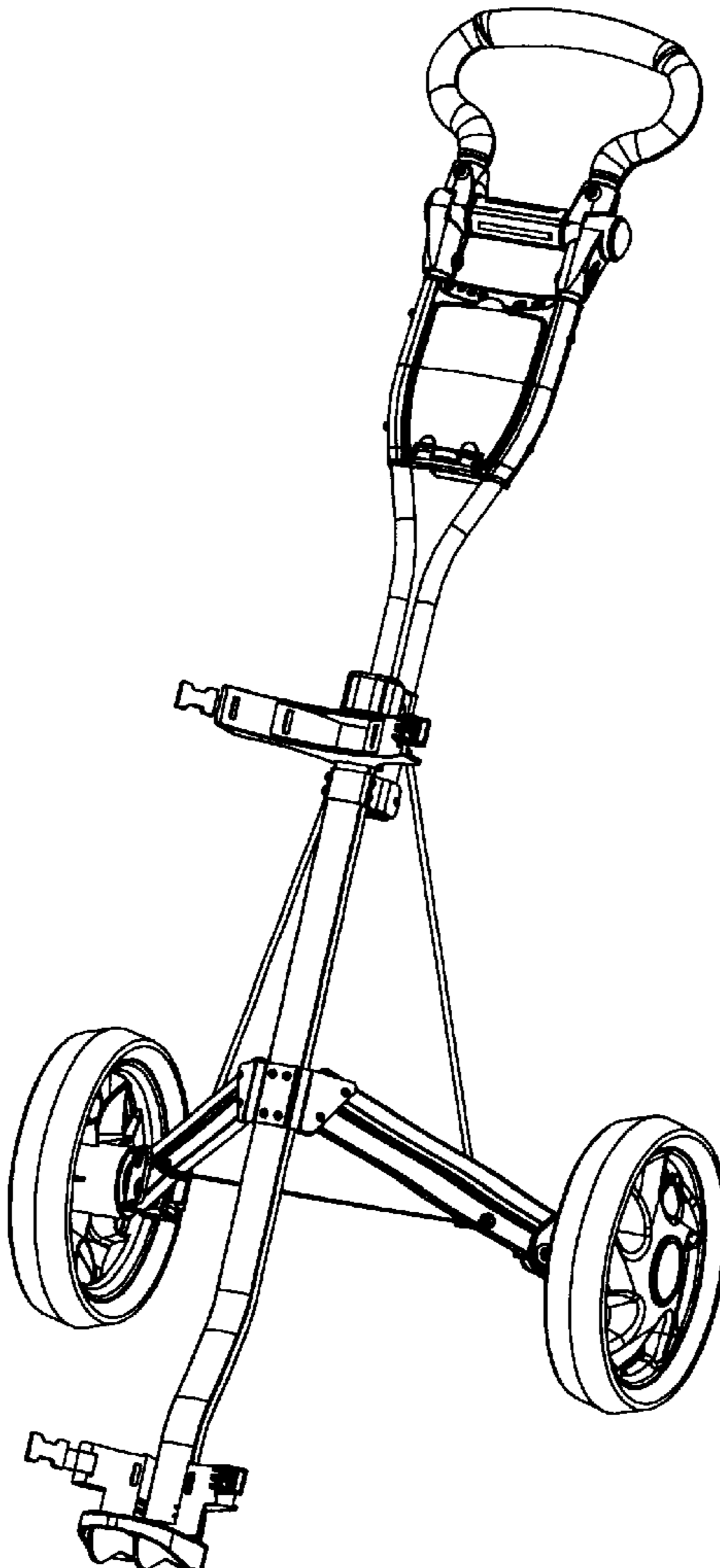
(56) **References Cited**

U.S. PATENT DOCUMENTS

- D. 391,731 * 3/1998 Wu D34/15
- 5,409,253 * 4/1995 Cheng 280/646
- 6,079,718 * 6/2000 Liao 280/47.26

FIG. 1 is a perspective view of a golf cart showing my new
design;
FIG. 2 is a right side elevational view thereof;
FIG. 3 is a top plan view thereof;
FIG. 4 is a front elevational view thereof;
FIG. 5 is a bottom plan view thereof;
FIG. 6 is a left side elevational view thereof;
FIG. 7 is a rear elevational view thereof; and,
FIG. 8 is a perspective view thereof in its folded condition.

1 Claim, 8 Drawing Sheets



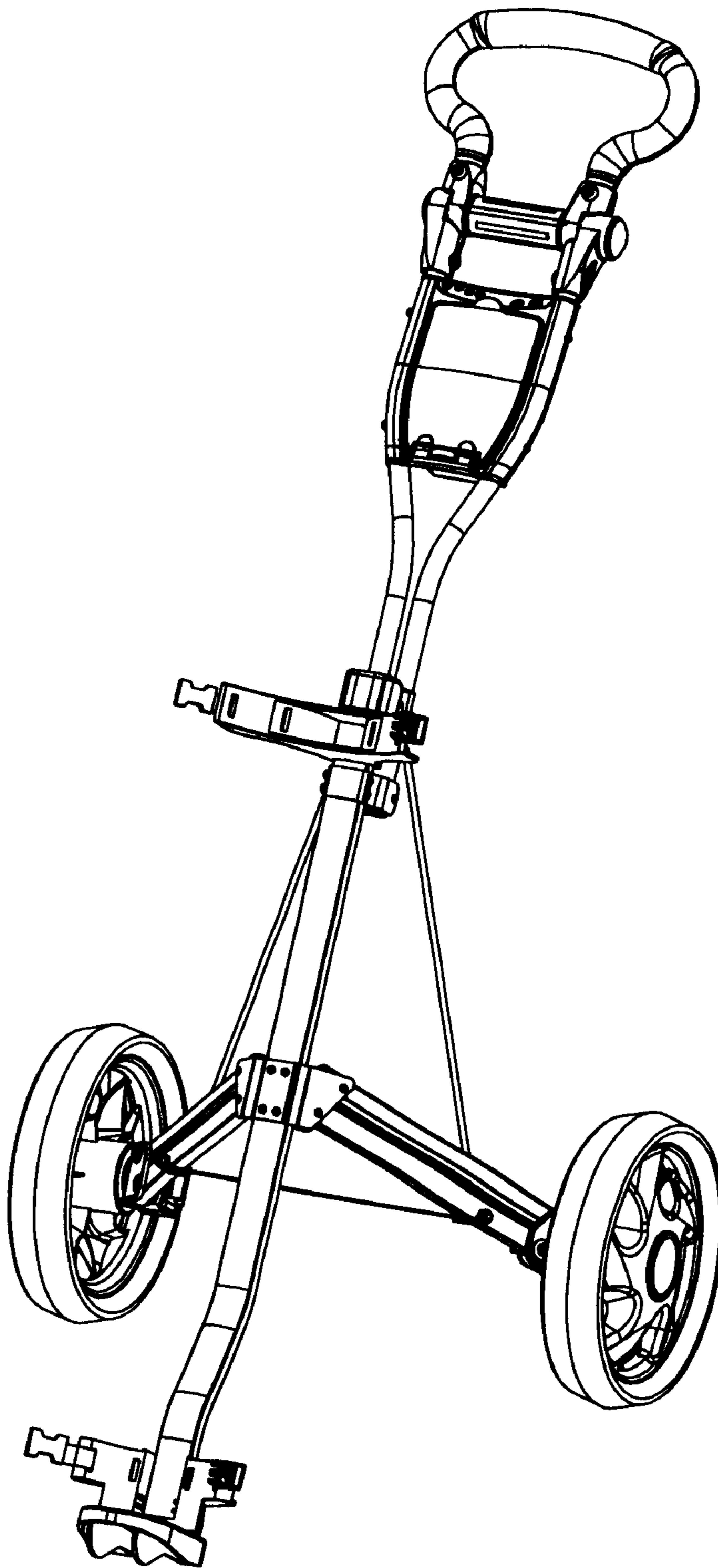


FIG. 1

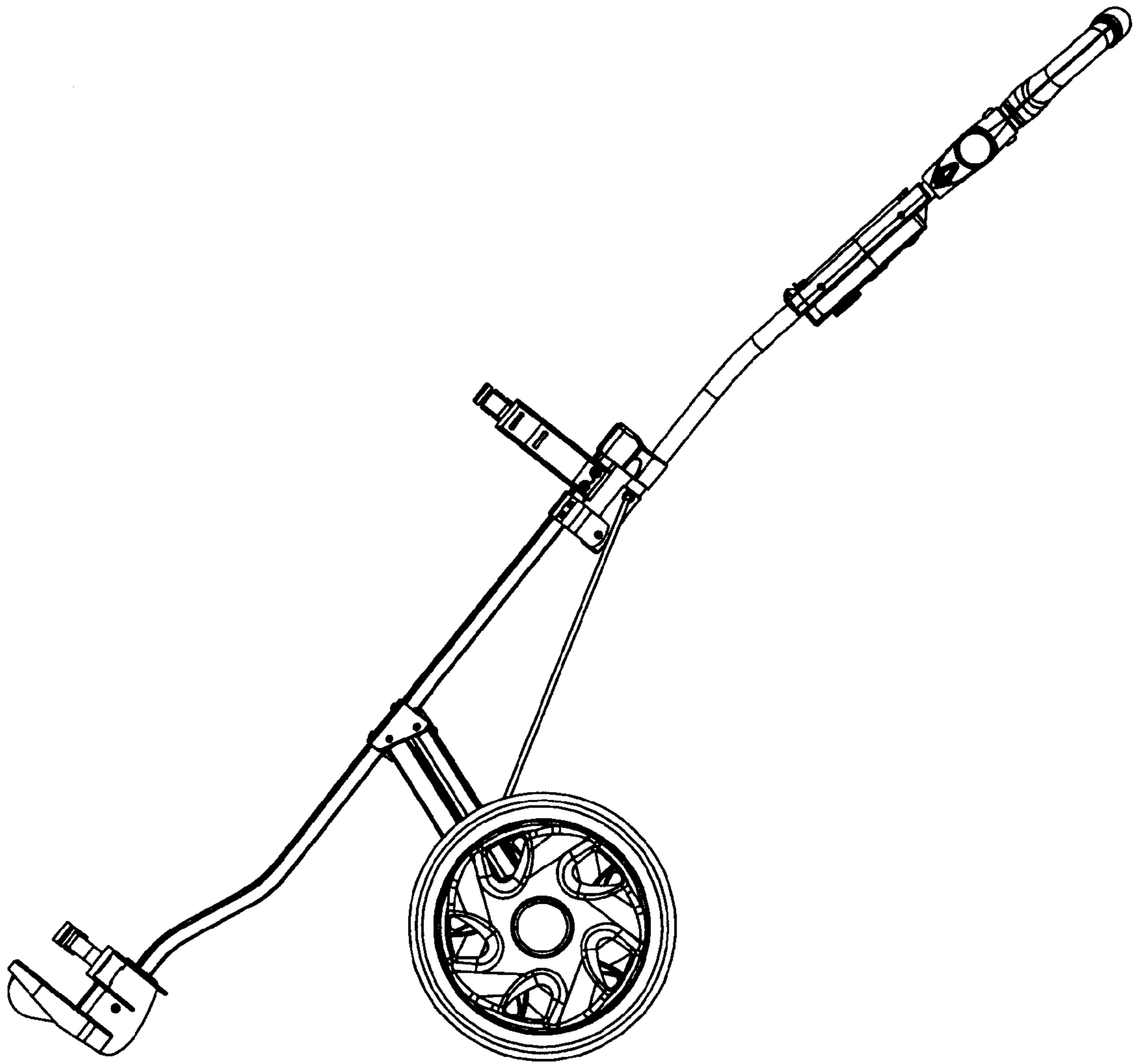


FIG. 2

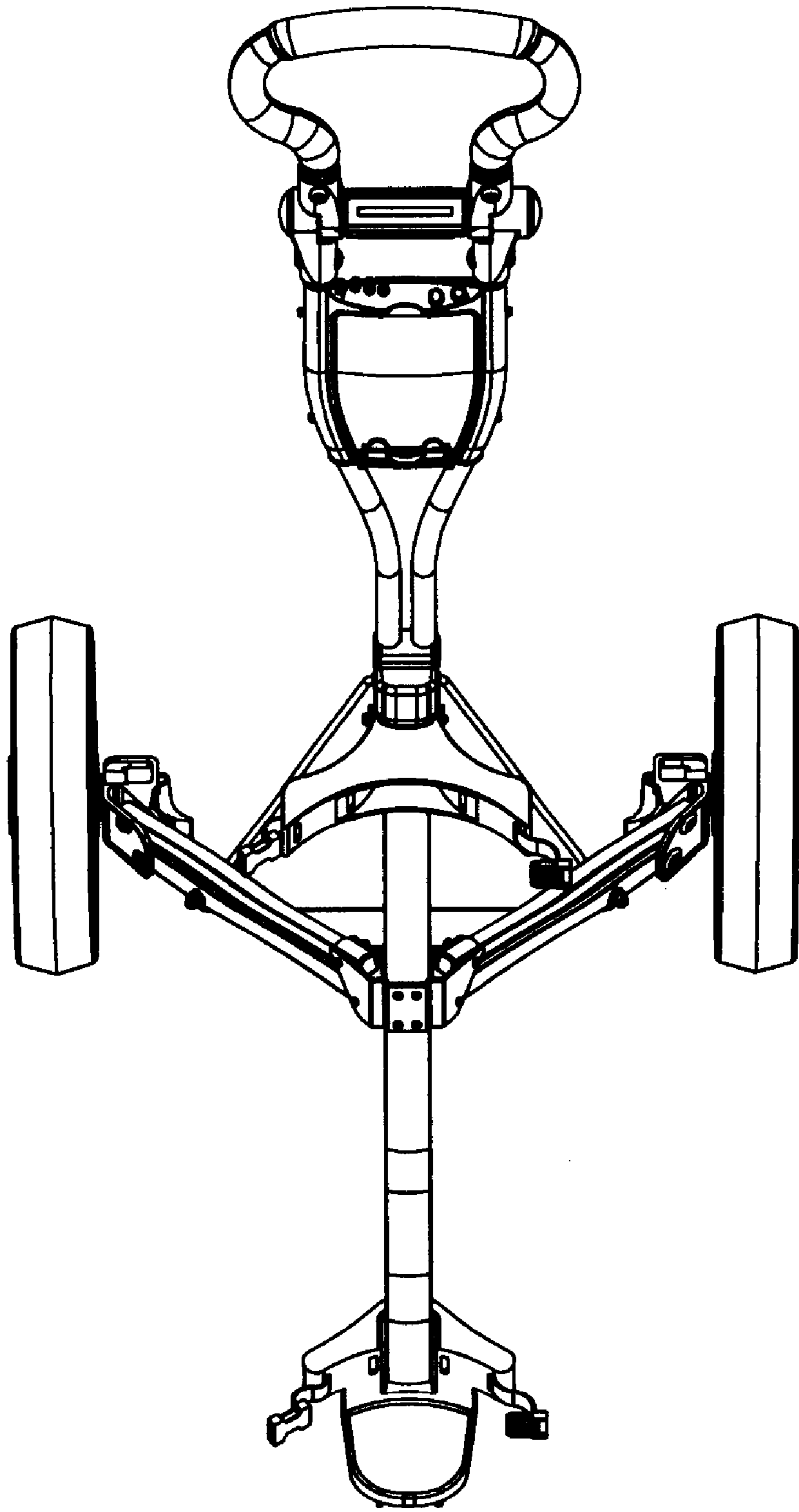


FIG. 3

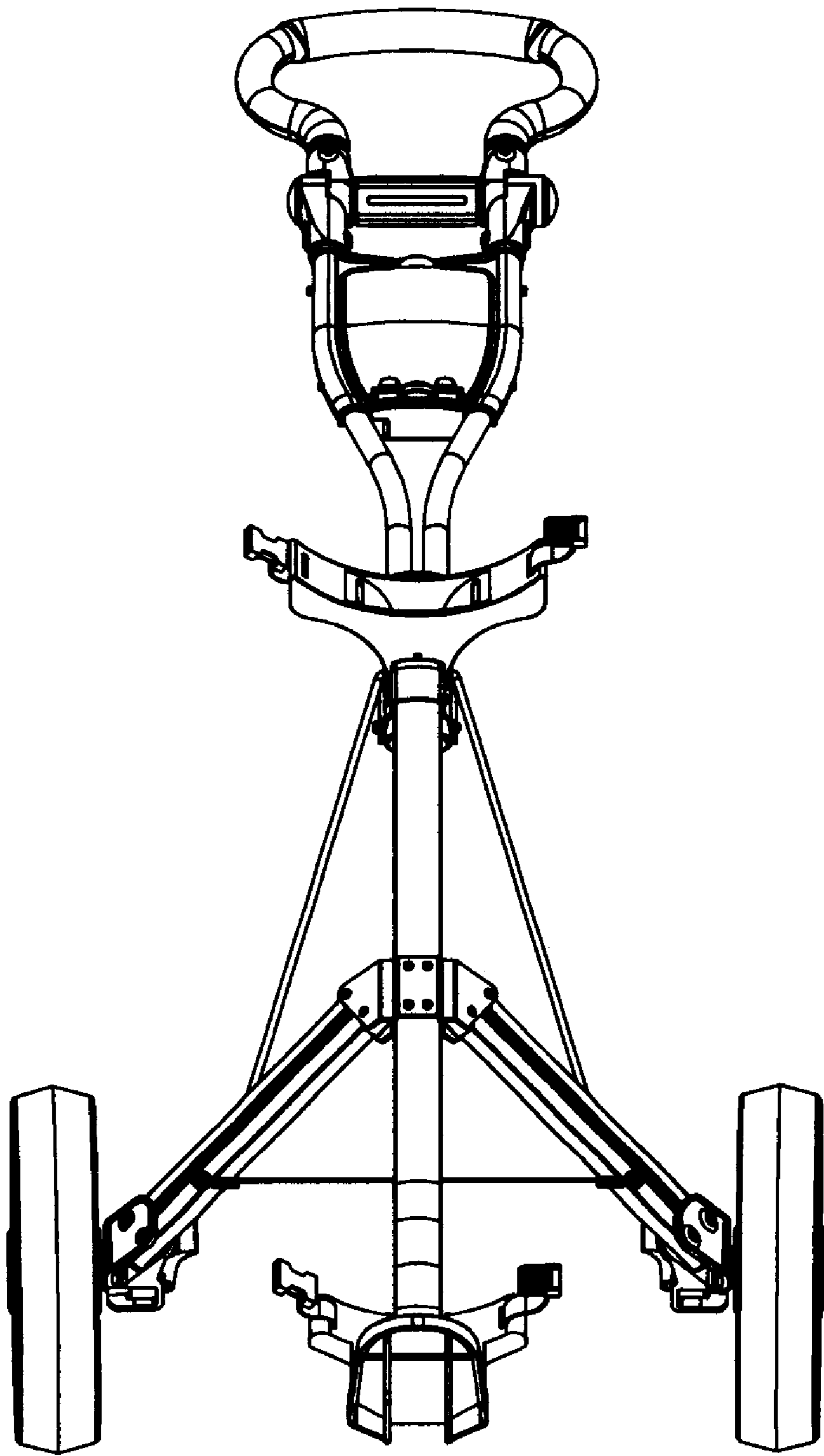


FIG. 4

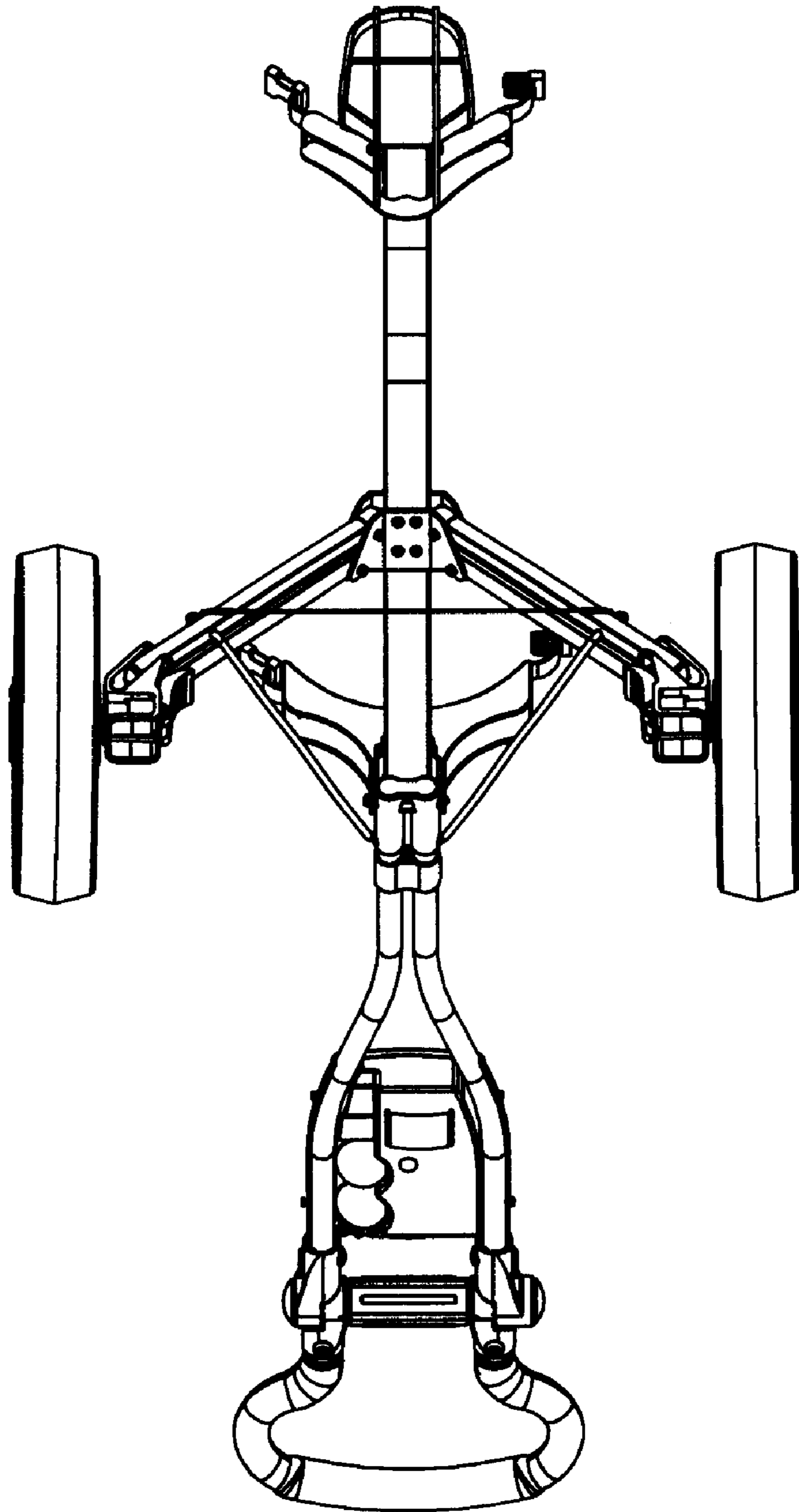


FIG. 5

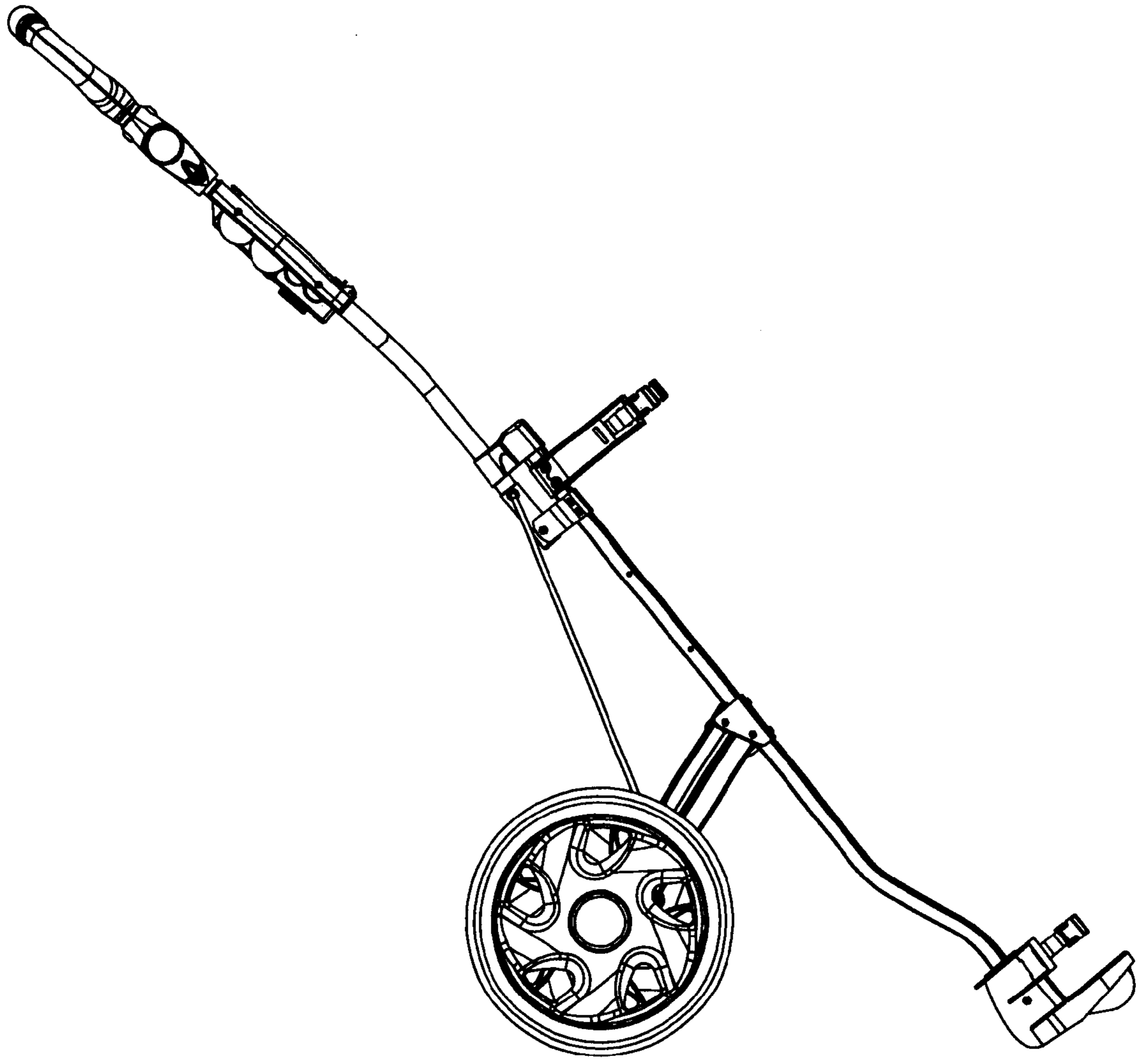


FIG. 6

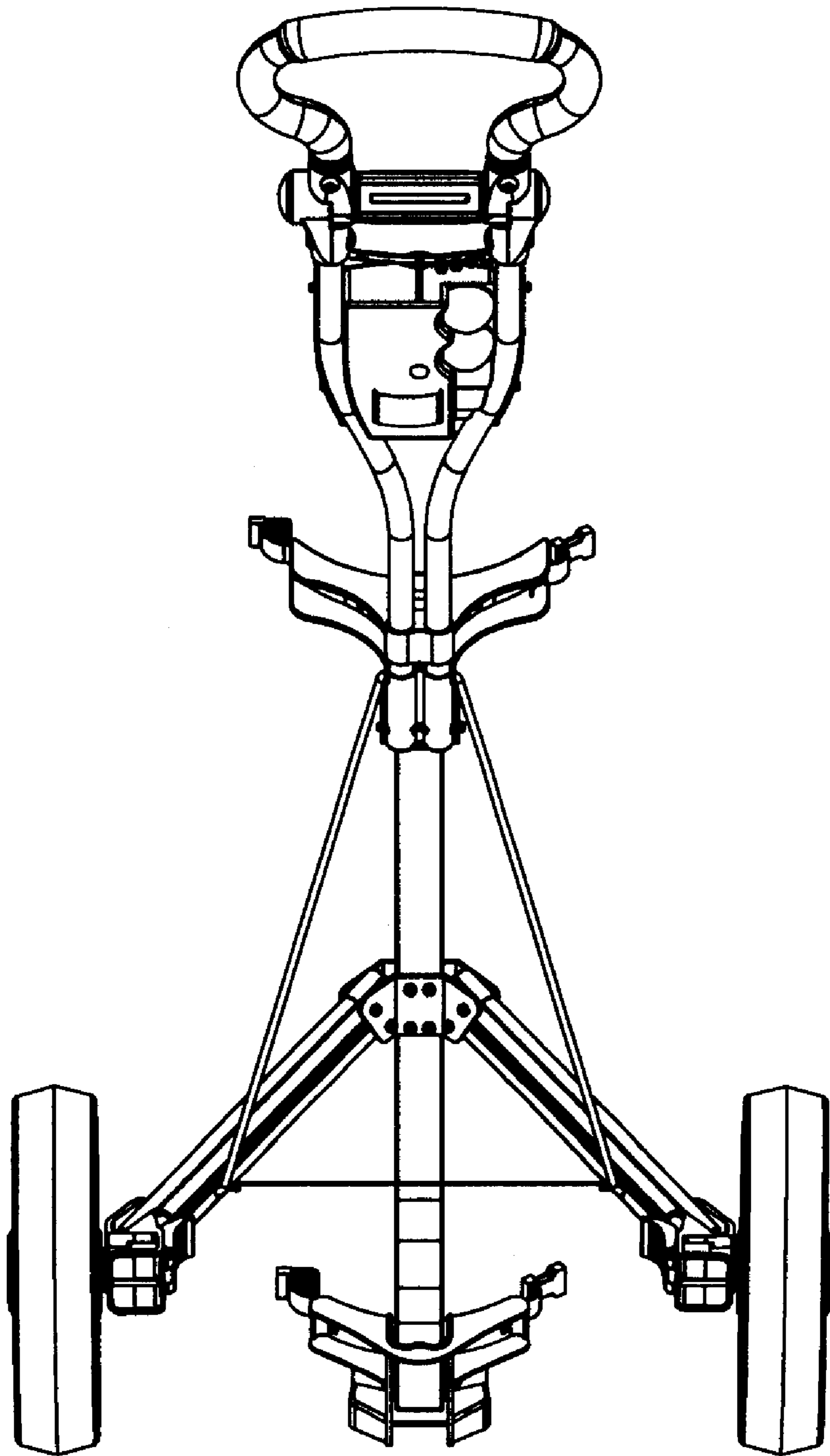


FIG. 7

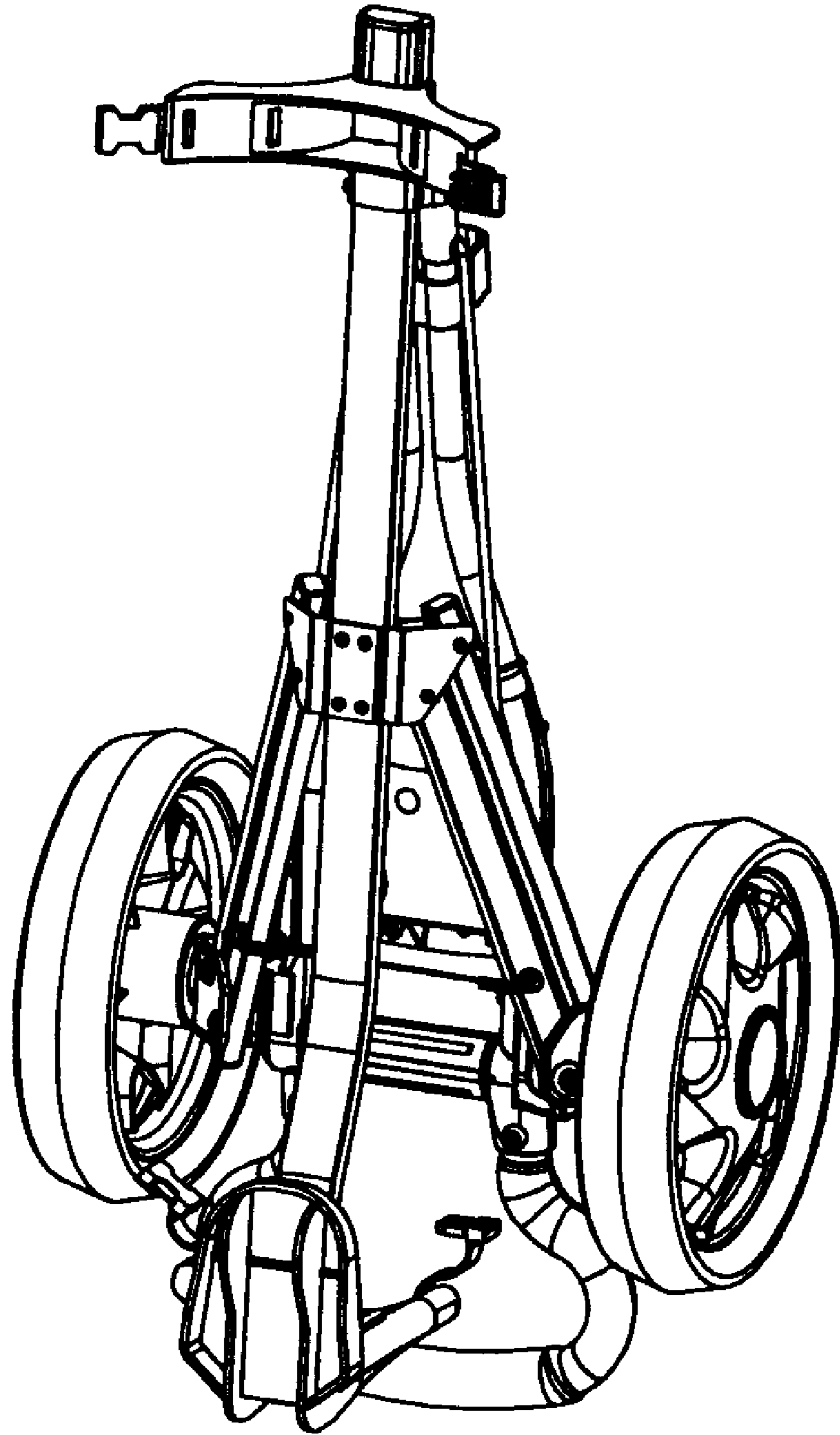


FIG. 8