



US00D450413B1

(12) **United States Design Patent**
Howard et al.

(10) **Patent No.:** **US D450,413 S**

(45) **Date of Patent:** **** Nov. 13, 2001**

(54) **WASTEBASKET**

(75) Inventors: **Susan E. Howard**, Richmond; **Daniel E. Sabourin**, Port Coquitlam, both of (CA)

(73) Assignee: **JRS Amenities Ltd.**, Richmond (CA)

(**) Term: **14 Years**

(21) Appl. No.: **29/123,956**

(22) Filed: **May 26, 2000**

(51) **LOC (7) Cl.** **09-09**

(52) **U.S. Cl.** **D34/1**

(58) **Field of Search** D34/1, 5, 6, 7, D34/9, 10; D3/313, 311; 220/908, 909, 910, 911, 500; D32/37

(56) **References Cited**

U.S. PATENT DOCUMENTS

D. 308,272	5/1990	Koepsell .	
D. 319,519	8/1991	Keir .	
D. 329,110	9/1992	Haneberg .	
D. 340,333	10/1993	Duran et al. .	
D. 345,239	3/1994	Cooper .	
D. 347,923	6/1994	Martin et al. .	
D. 375,200	11/1996	Nugent .	
D. 376,231	12/1996	McLain .	
D. 399,348	10/1998	Dancyger .	
D. 401,027	11/1998	Mueller .	
D. 407,534	3/1999	Howard et al. .	
D. 407,929	4/1999	Woodring .	
D. 430,372 *	8/2000	Howard et al.	D34/1
3,720,346	3/1973	Cypher .	
4,834,253	5/1989	Crine .	

4,874,111	10/1989	Heller .
4,913,308	4/1990	Culbertson .
4,991,737	2/1991	Edelman .
5,050,755	9/1991	Strawder .
5,085,342	2/1992	Strawder .
5,193,713	3/1993	Geathouse et al. .
5,366,189	11/1994	Thompson .
5,810,187	9/1998	Woodring .

* cited by examiner

Primary Examiner—Cynthia E. Ramirez

(74) *Attorney, Agent, or Firm*—Oyen Wiggs Green & Mutala

(57) **CLAIM**

The ornamental design for a wastebasket, as shown and described.

DESCRIPTION

FIG. 1 is a perspective view of the first variant of the wastebasket;

FIG. 2 is a top plan view thereof;

FIG. 3 is a front elevation view thereof, the back elevation, left side elevation and right side elevation views being identical thereto;

FIG. 4 is a bottom plan view thereof;

FIG. 5 is a perspective view of the second variant of the wastebasket;

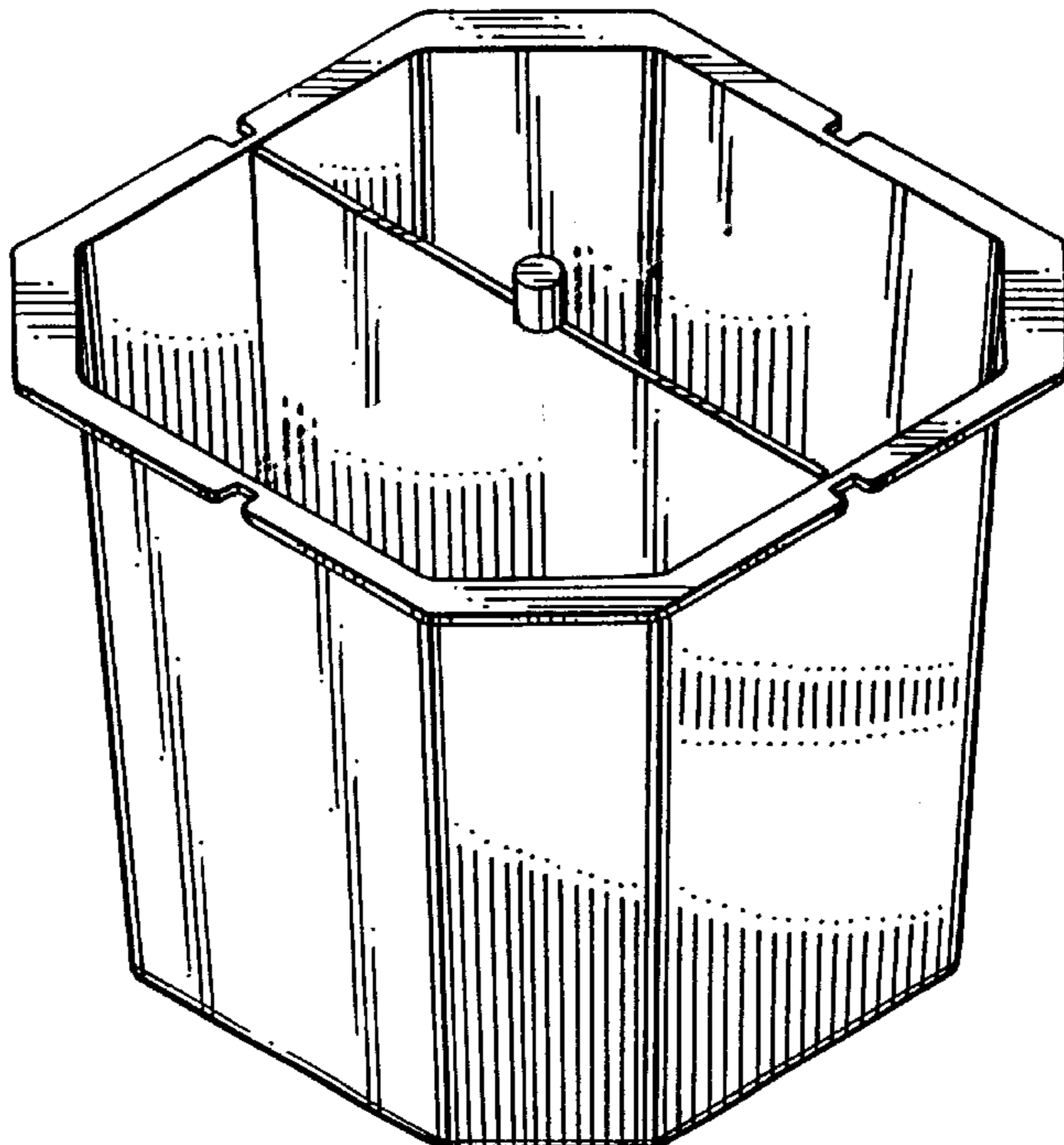
FIG. 6 is a top plan view thereof;

FIG. 7 is a front elevation view thereof, the back elevation view being identical thereto;

FIG. 8 is a right side elevation view, the left side elevation view being identical thereto; and,

FIG. 9 is a bottom plan view thereof.

1 Claim, 4 Drawing Sheets



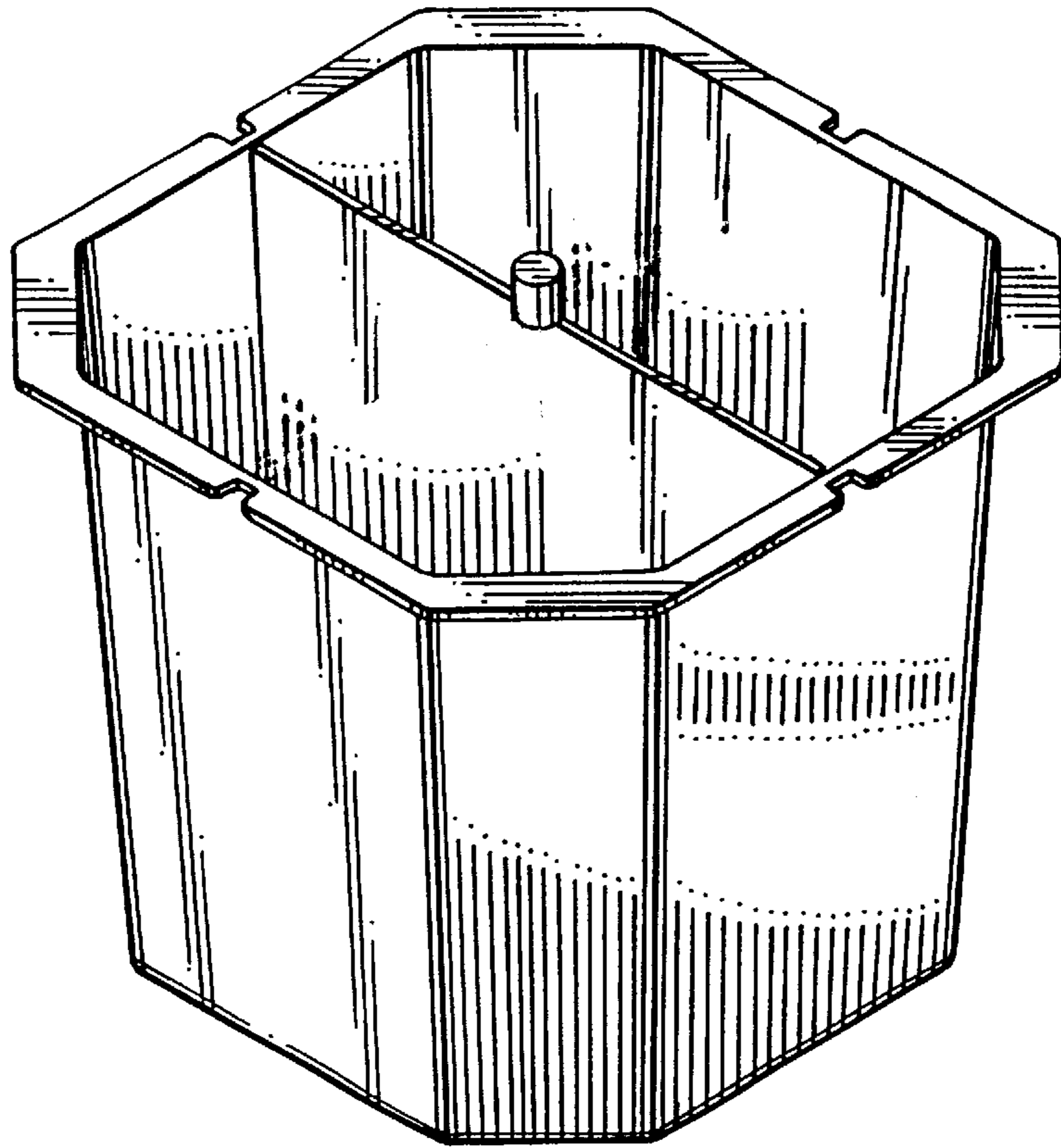


FIG. 1

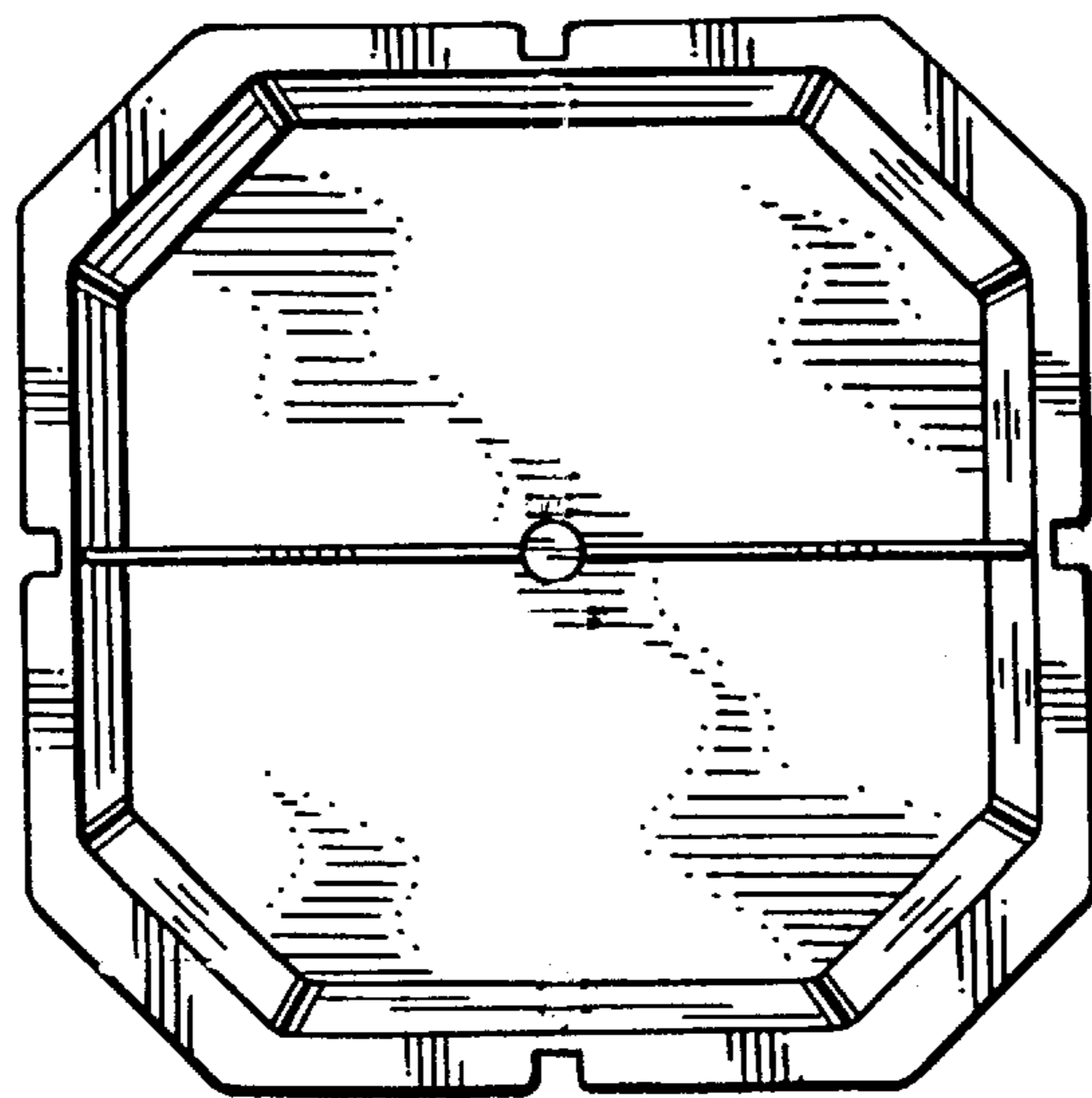


FIG. 2

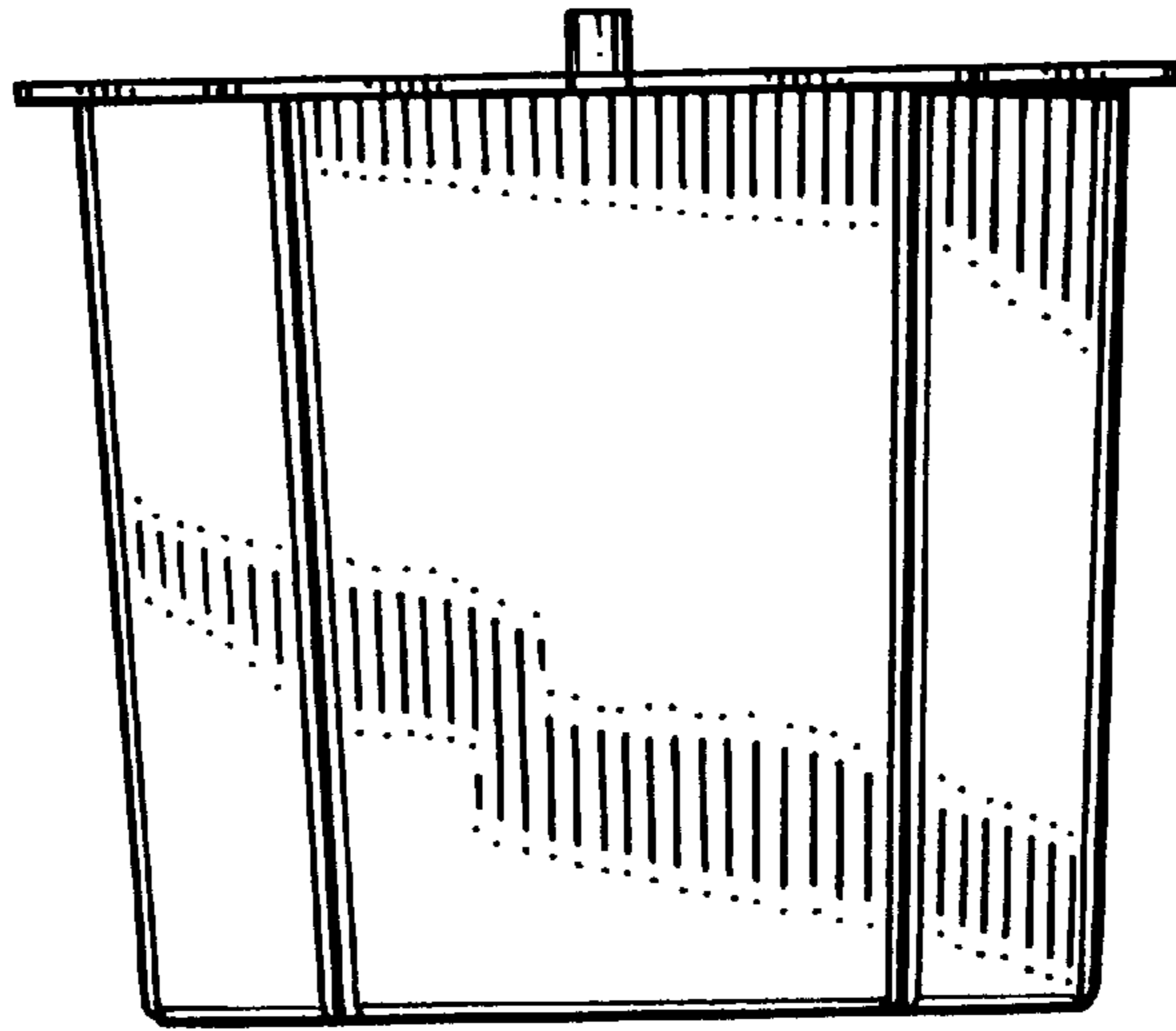


FIG. 3

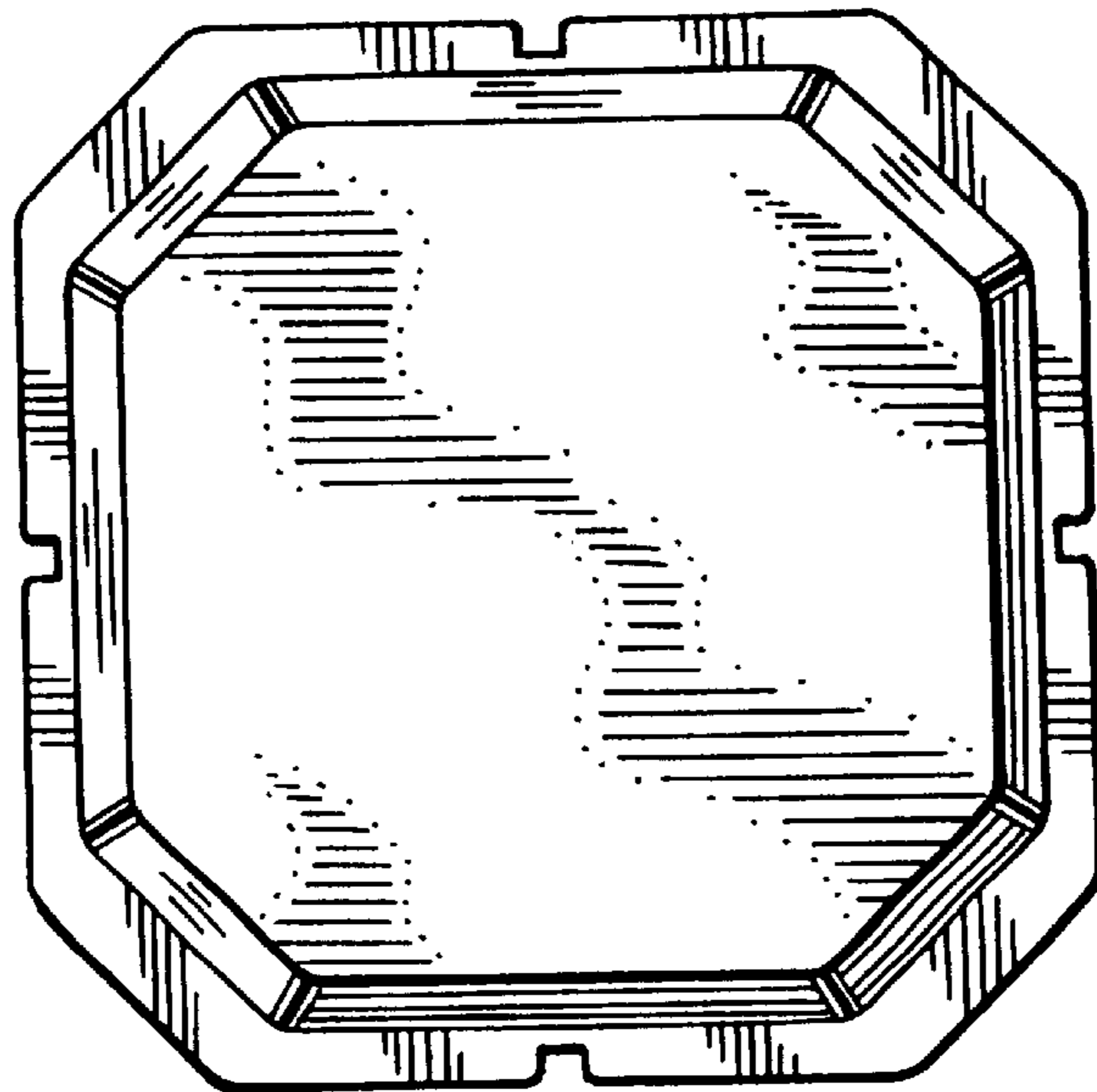


FIG. 4

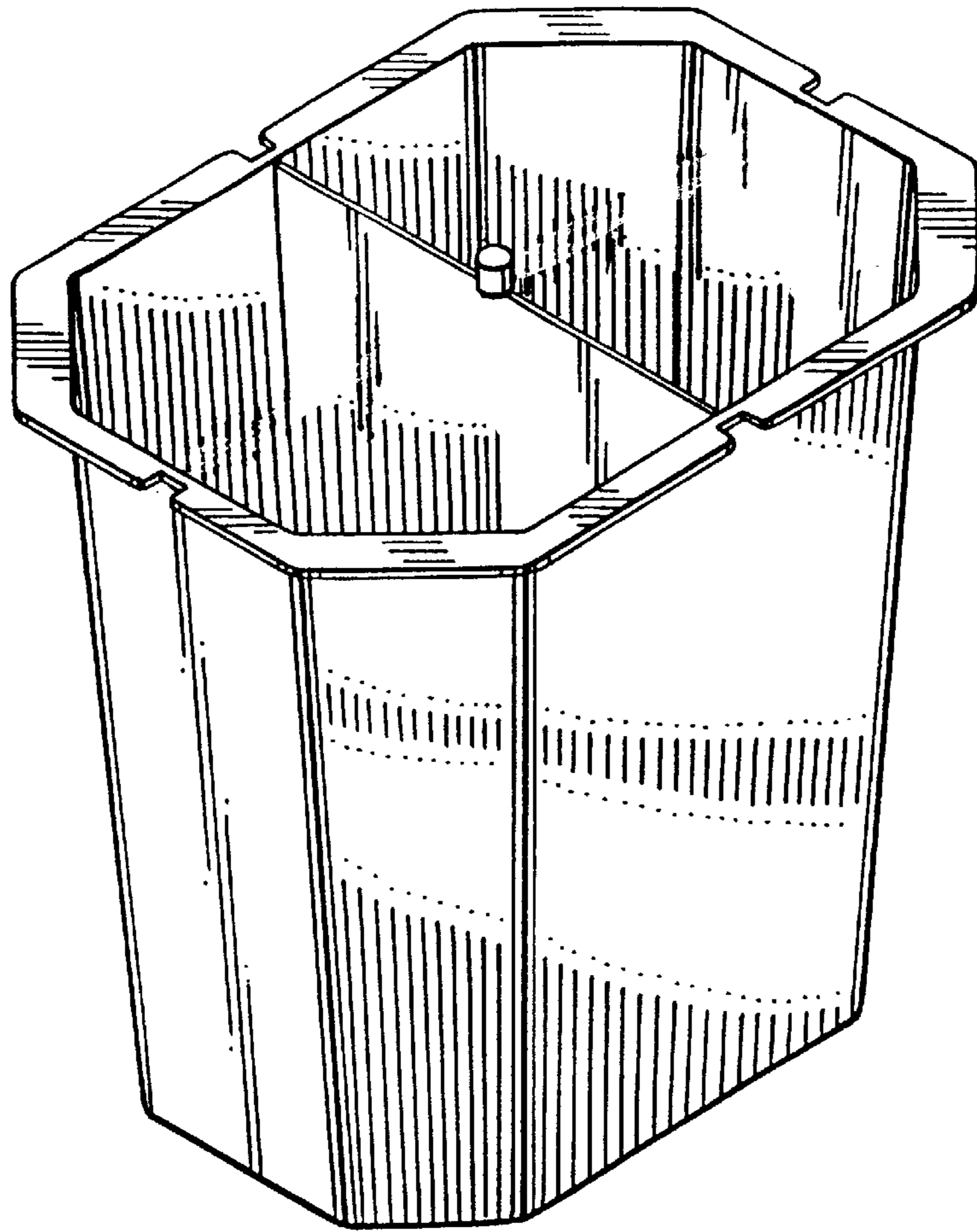


FIG. 5

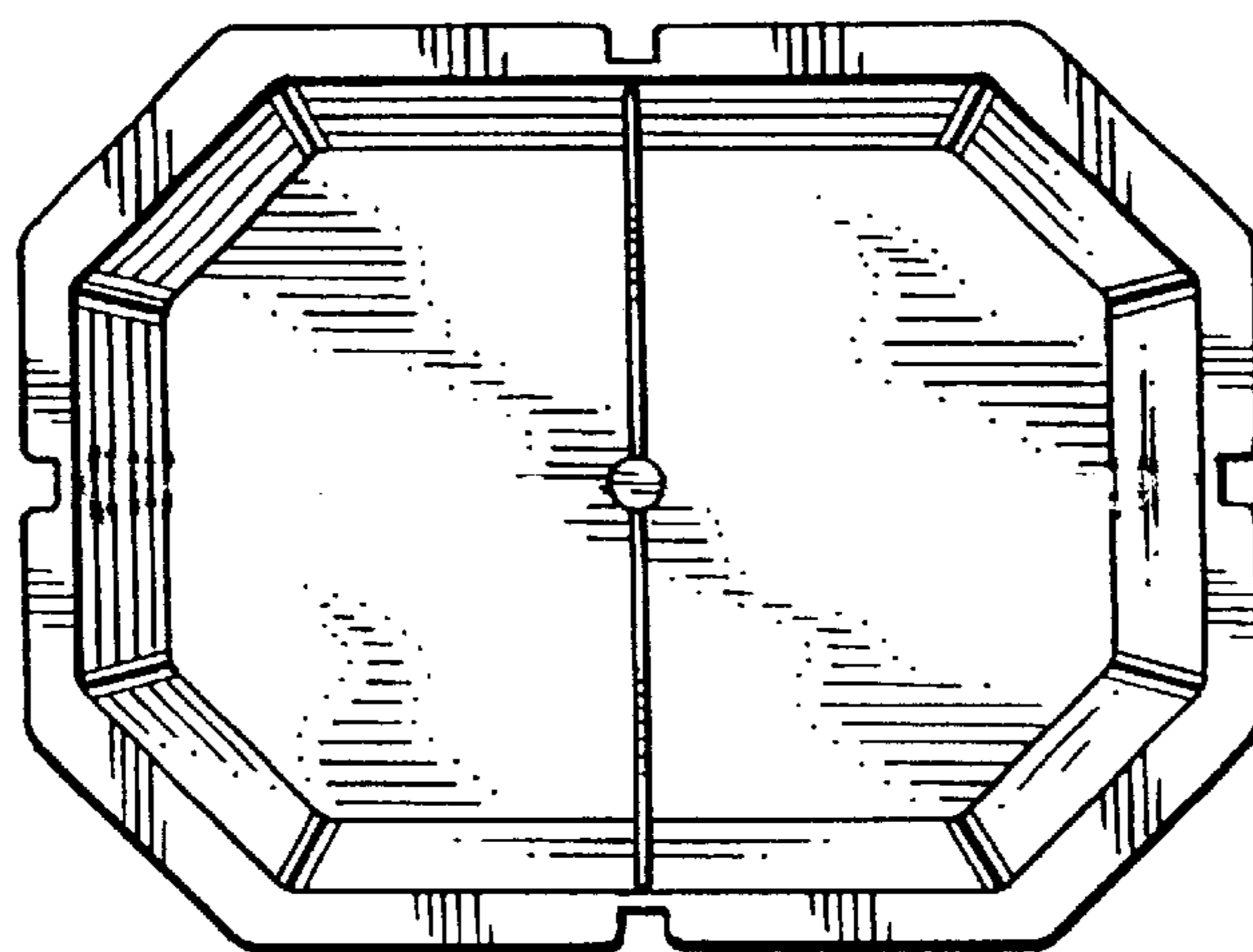


FIG. 6

