



US00D450409B1

(12) **United States Design Patent** (10) **Patent No.:** **US D450,409 S**
Orozco (45) **Date of Patent:** **** Nov. 13, 2001**

(54) **LAMP**

(75) Inventor: **Sergio J. Orozco**, West New York, NJ (US)

(73) Assignee: **Quoizel, Inc.**, Goose Creek, SC (US)

(**) Term: **14 Years**

(21) Appl. No.: **29/132,427**

(22) Filed: **Nov. 8, 2000**

(51) **LOC (7) Cl.** **26-03**

(52) **U.S. Cl.** **D26/111**

(58) **Field of Search** D26/92-112; 362/404-410, 362/806

(56) **References Cited**

PUBLICATIONS

Home Lighting & Accessories, Apr. 1998, Reliance Lamp/IHFC G-262 on p. 56.*
Home Lighting & Accessories, Oct. 1997, Remington Lamp at top center of p. 56.*
Item No. 8555 PB, Catalog p. 237, Murray Feiss catalog, no date.

* cited by examiner

Primary Examiner—Alan P. Douglas

Assistant Examiner—Linda Brooks

(74) *Attorney, Agent, or Firm*—Nelson Mullins Riley & Scarborough

(57) **CLAIM**

The ornamental design for a lamp, substantially as shown and described.

DESCRIPTION

FIG. 1 is a perspective view of a lamp embodying the design of the present invention.

FIG. 2 is a front side elevational view of the lamp illustrated in FIG. 1.

FIG. 3 is a right side elevational view of the lamp of FIG. 1, with the left side elevational view being a mirror image thereof.

FIG. 4 is a back side elevational view of the lamp of FIG. 1.

FIG. 5 is a top view of the lamp of FIG. 1; and,

FIG. 6 is a bottom view of the lamp of FIG. 1.

The lamp shade shown in broken lines does not form a part of the claimed design.

1 Claim, 5 Drawing Sheets

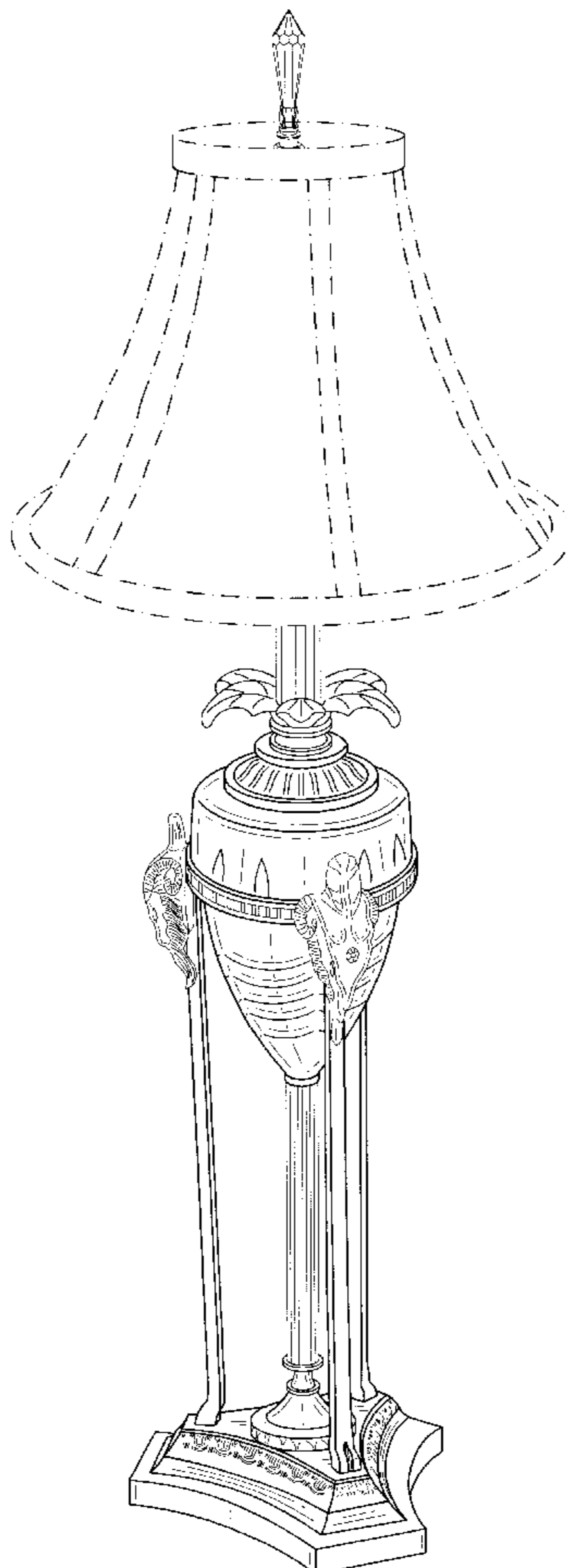


FIG. 1

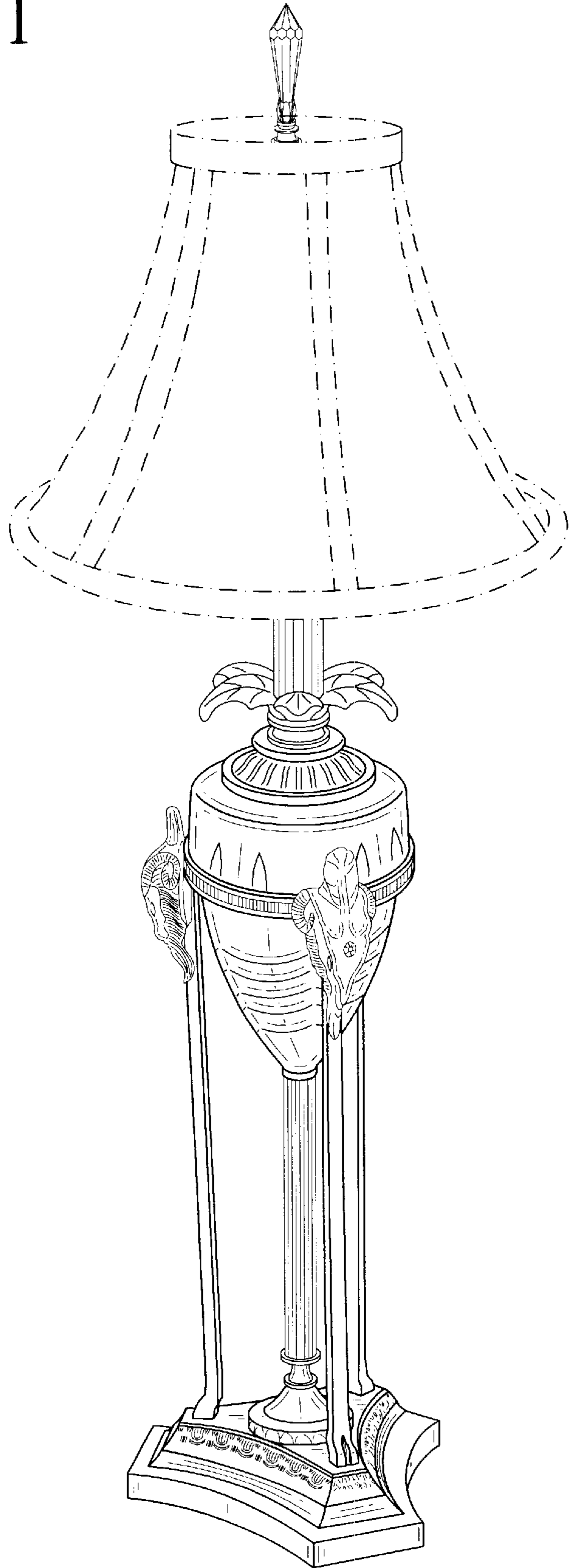


FIG. 2

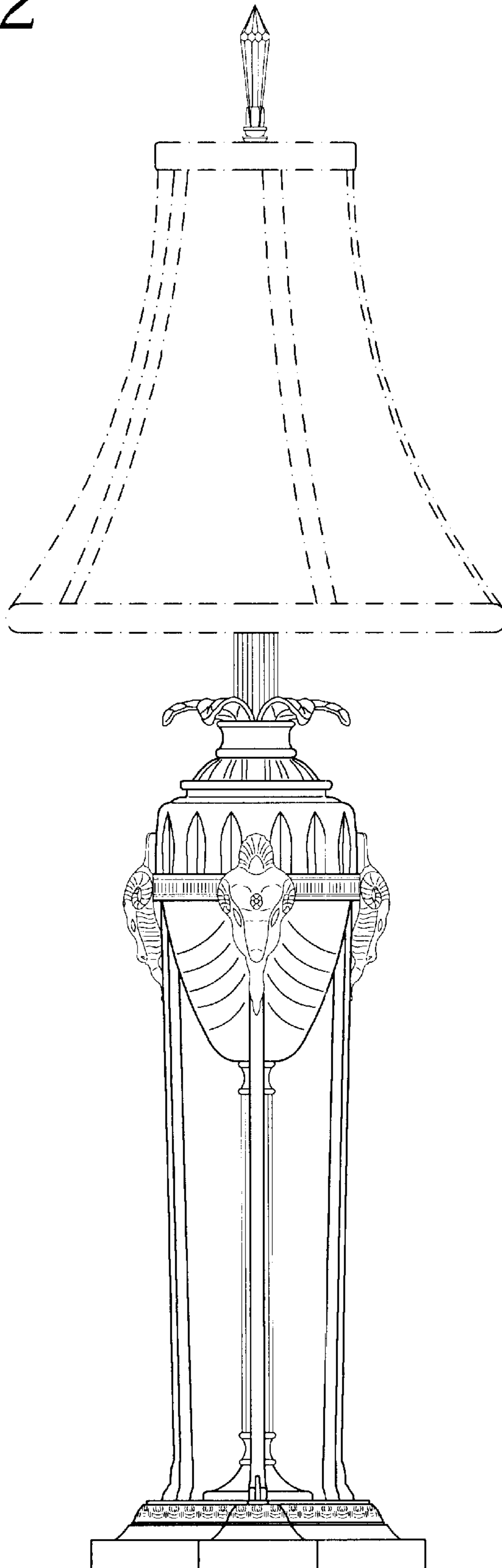


FIG. 3

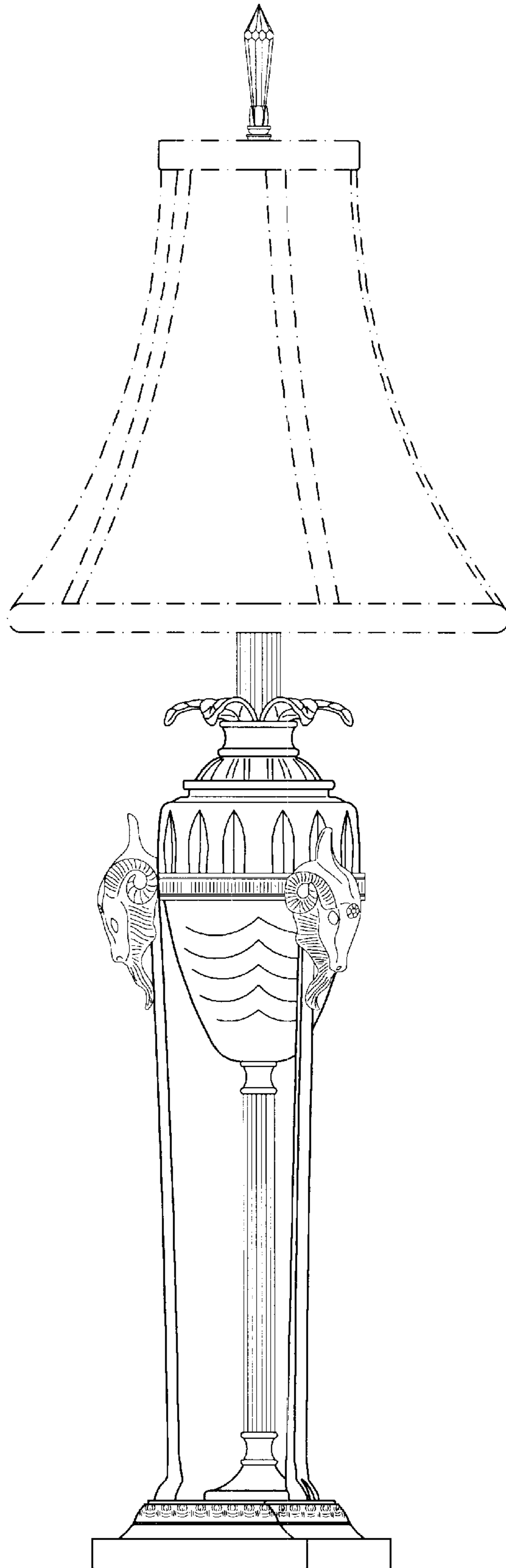


FIG. 4

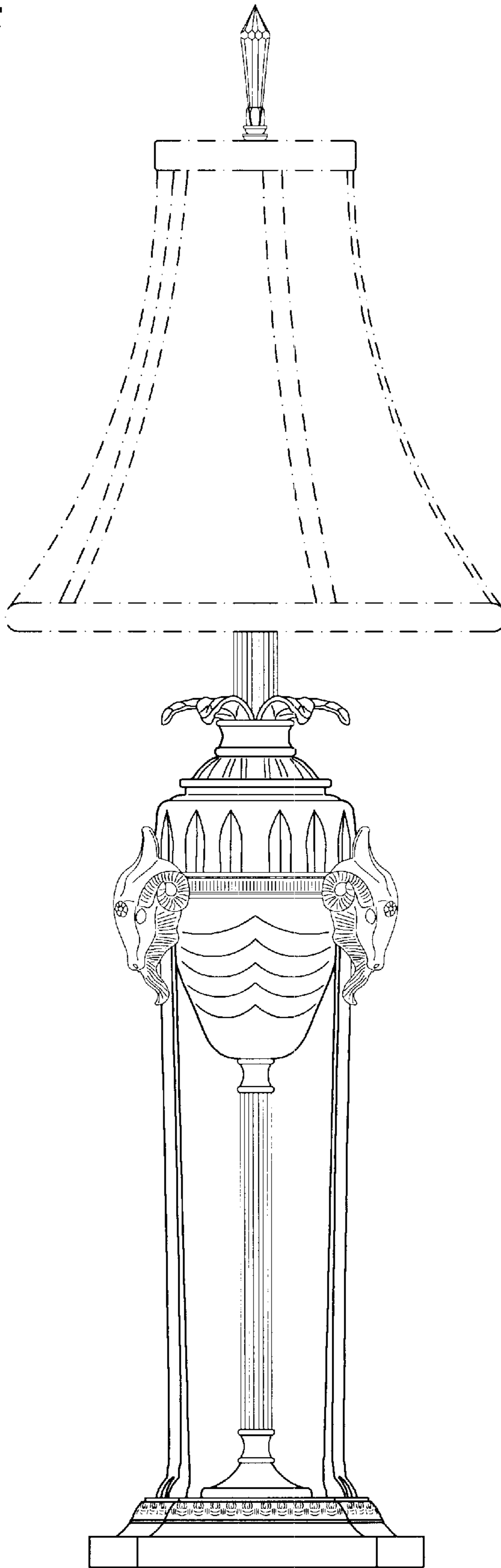


FIG. 5

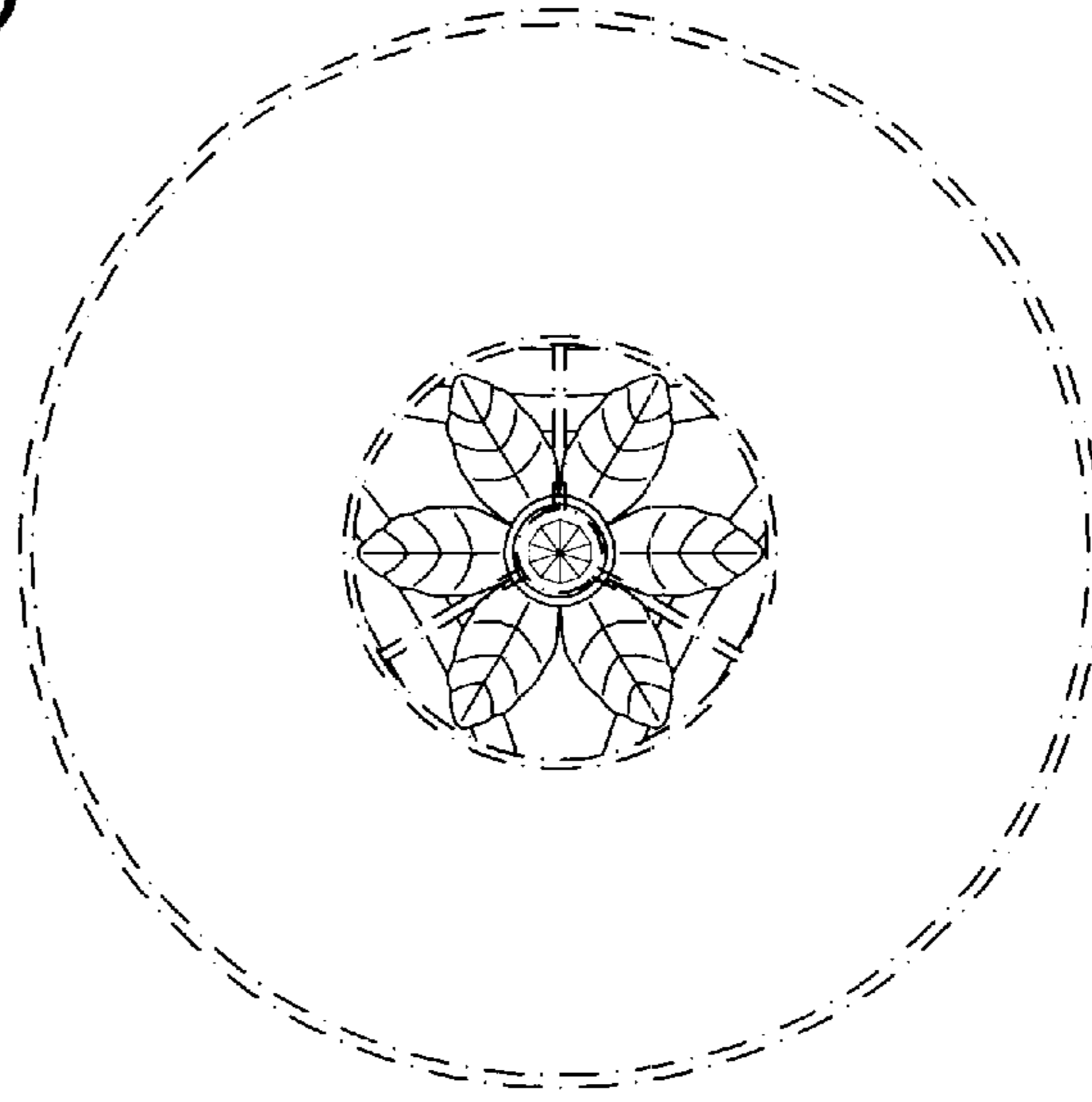


FIG. 6

