



US00D450408B1

(12) **United States Design Patent**
Wang

(10) **Patent No.:** **US D450,408 S**

(45) **Date of Patent:** **** Nov. 13, 2001**

(54) **LIGHT**

(76) **Inventor:** **Sang-Te Wang**, No.34, Ting Hu Road,
Kwei Shan Hsiang, Tao Yuan Hsien
(TW)

(**) **Term:** **14 Years**

(21) **Appl. No.:** **29/133,870**

(22) **Filed:** **Dec. 11, 2000**

(51) **LOC (7) Cl.** **26-03**

(52) **U.S. Cl.** **D26/109**

(58) **Field of Search** D26/93-112, 61-66;
362/410-414, 418, 419, 427, 287

(56) **References Cited**

U.S. PATENT DOCUMENTS

D. 203,863 * 2/1966 Neumann D26/107

OTHER PUBLICATIONS

Taiwan Lighting, Aug. 1996, desk lamps on pp. 91 and 92.*
* cited by examiner

Primary Examiner—Alan P. Douglas

Assistant Examiner—Linda Brooks

(74) *Attorney, Agent, or Firm*—Bacon & Thomas, PLLC

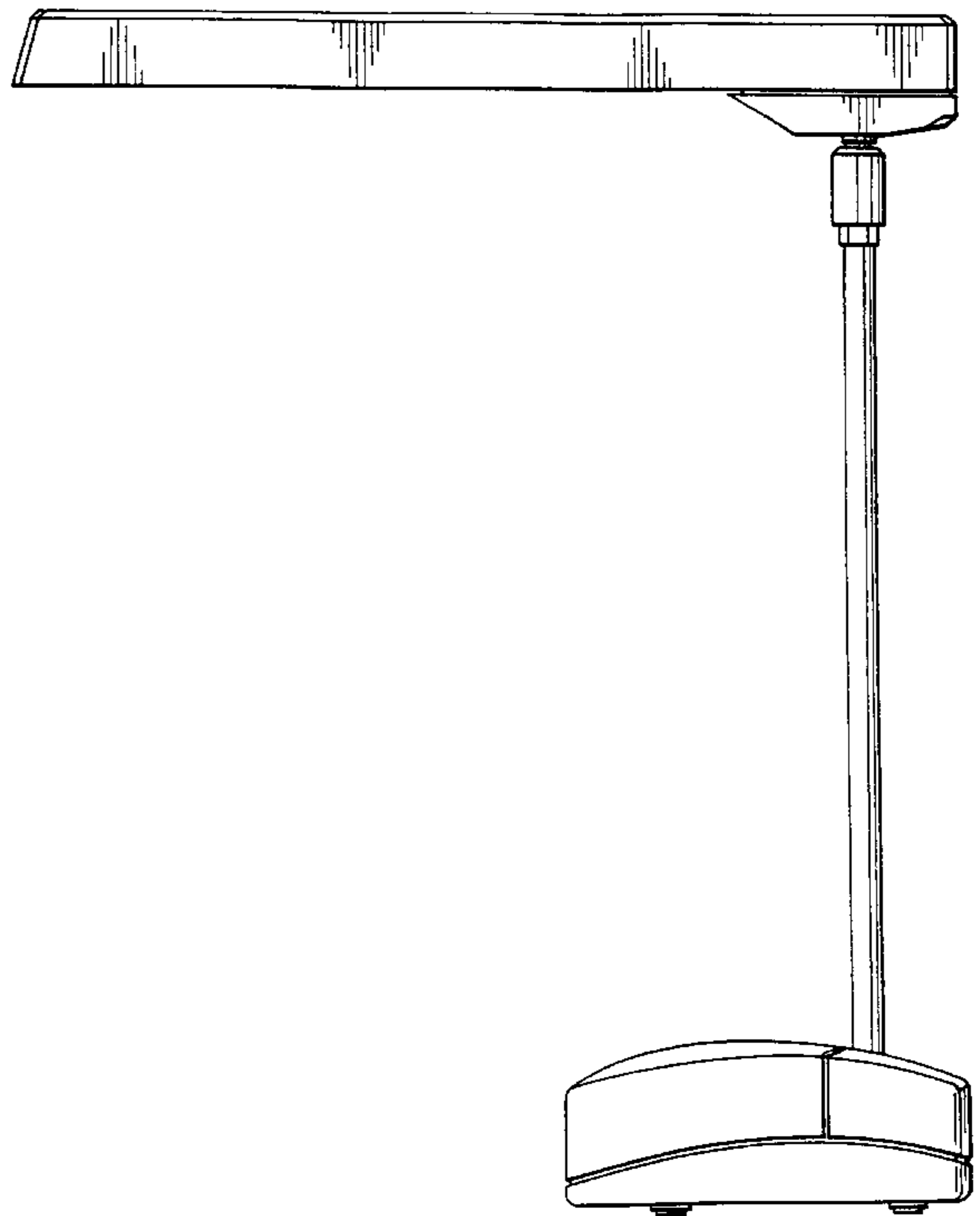
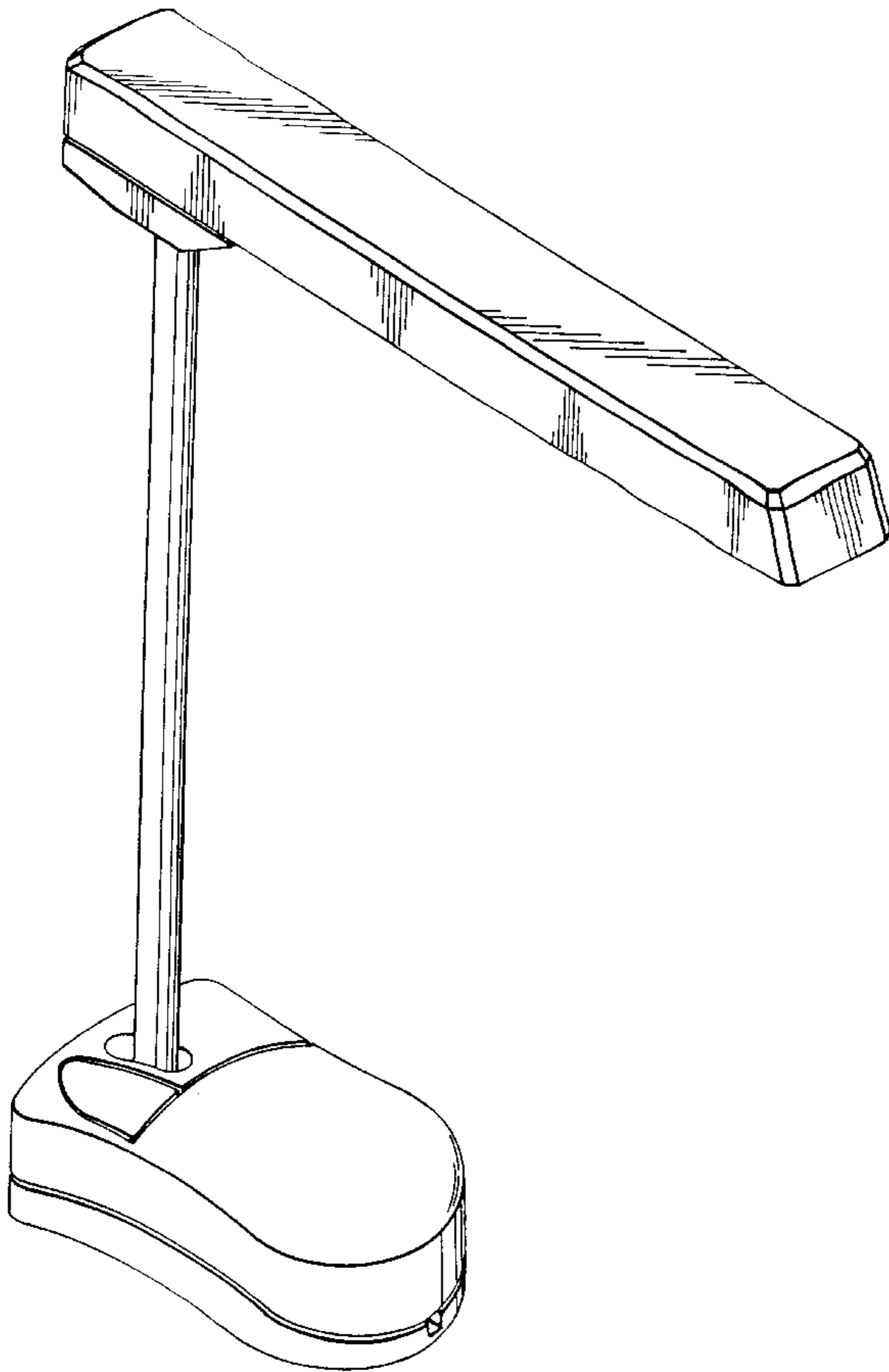
(57) **CLAIM**

The ornamental design for a light, as shown and described.

DESCRIPTION

FIG. 1. is a top, front right side perspective view thereof;
FIG. 2. is a front elevational view thereof;
FIG. 3. is a rear elevational view thereof;
FIG. 4. is a left plan view thereof;
FIG. 5. is a right plan view thereof;
FIG. 6. is a top plan view thereof; and,
FIG. 7. is a bottom plan view thereof.

1 Claim, 5 Drawing Sheets



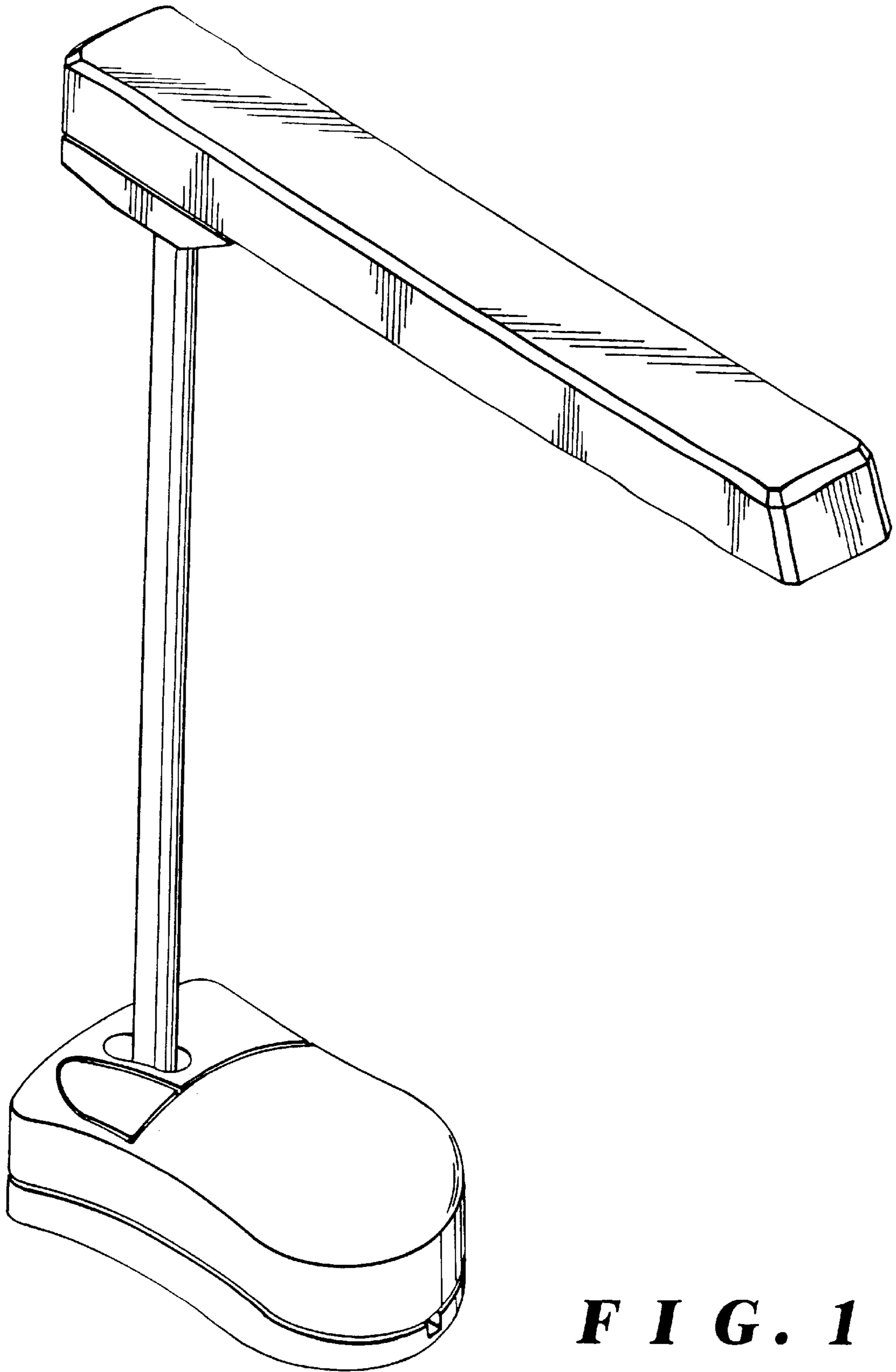


FIG. 1

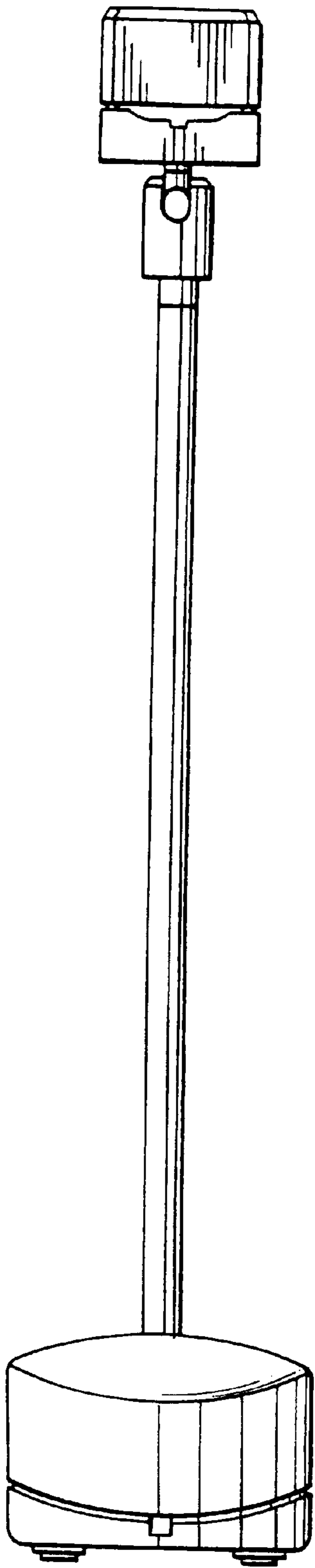


FIG. 2

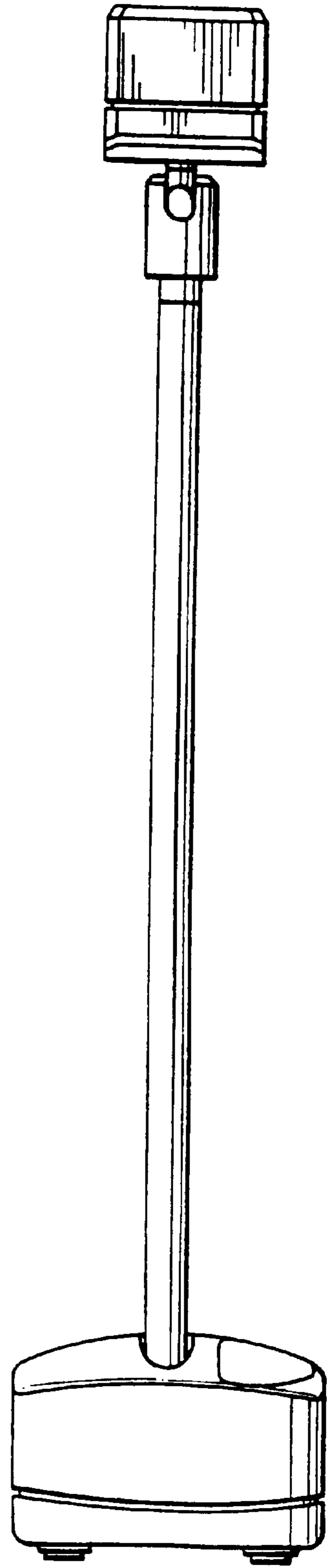


FIG. 3

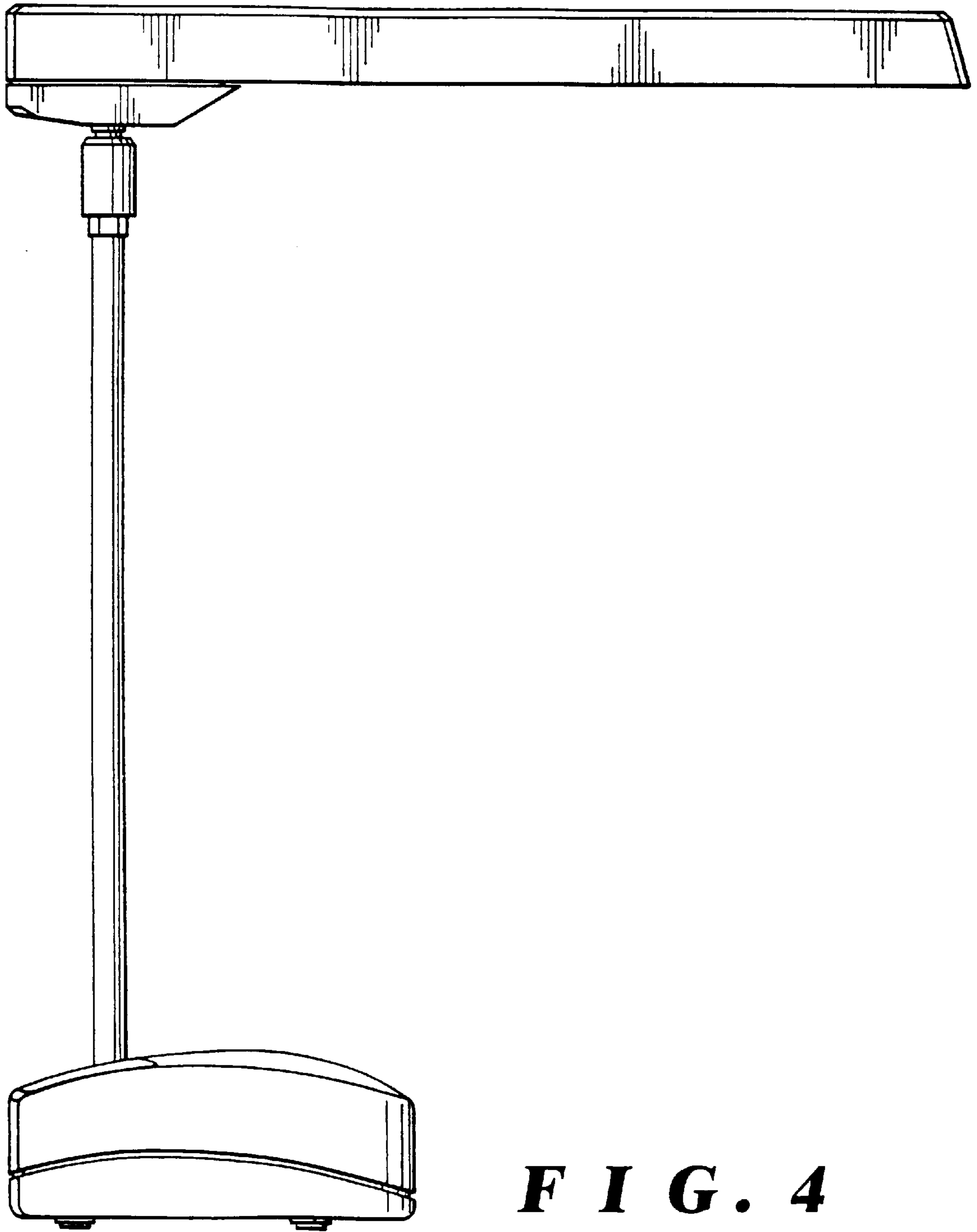


FIG. 4

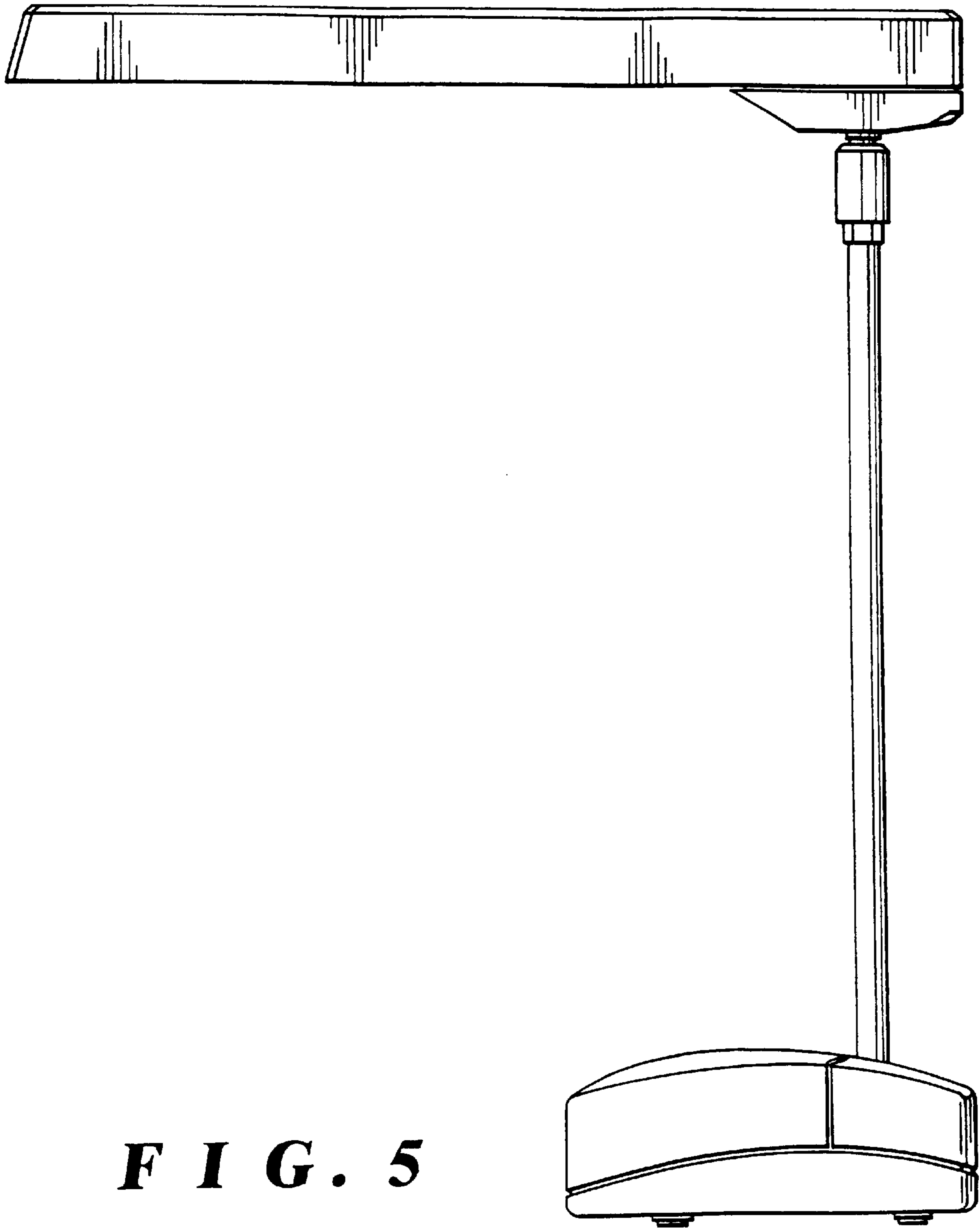


FIG. 5

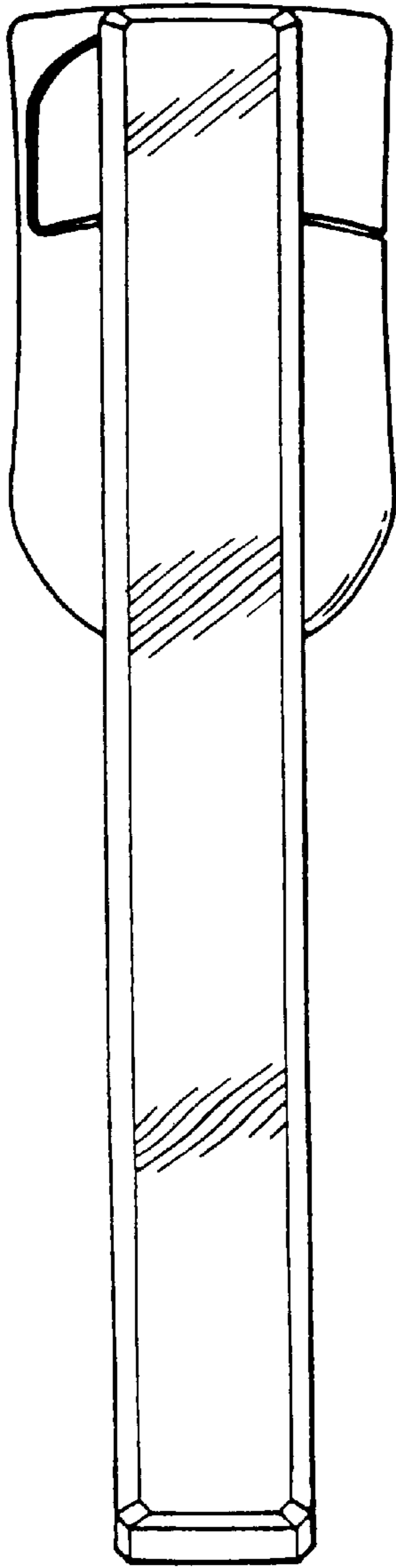


FIG. 6

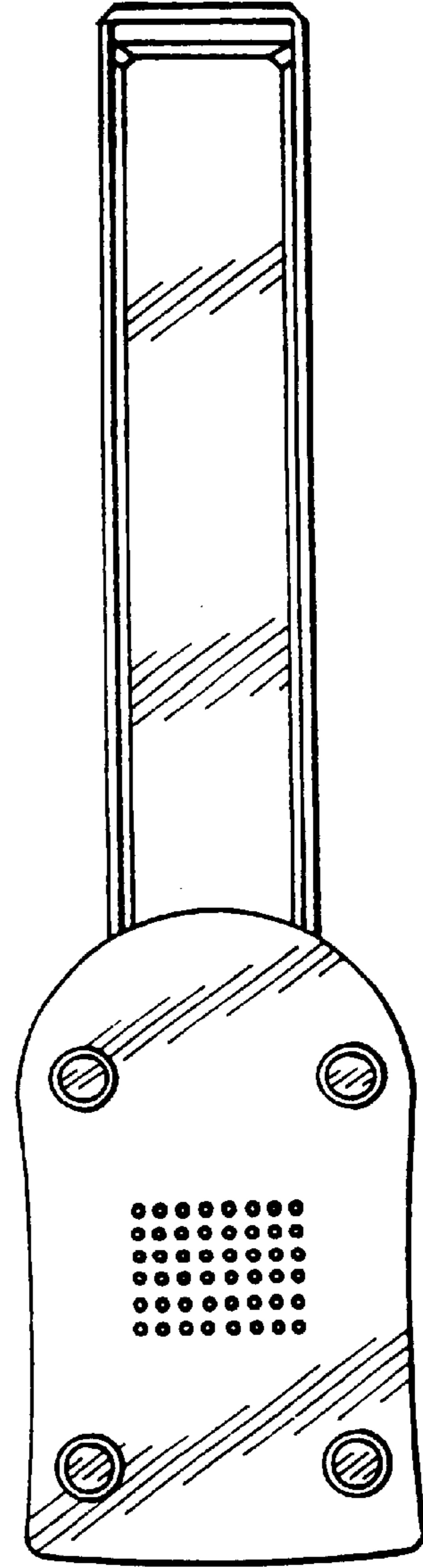


FIG. 7