



US00D450406B1

(12) **United States Design Patent**
Knappstein

(10) **Patent No.:** **US D450,406 S**

(45) **Date of Patent:** **** Nov. 13, 2001**

(54) **SUSPENDED LUMINAIRE**

(75) Inventor: **Helmut Paul Knappstein**, Arnsberg (DE)

(73) Assignee: **Trilux-Lenze GmbH & Co. KG**, Arnsberg (DE)

(**) Term: **14 Years**

(21) Appl. No.: **29/129,519**

(22) Filed: **Sep. 15, 2000**

(30) **Foreign Application Priority Data**

Mar. 15, 2000 (DE) 400 02 627

(51) **LOC (7) Cl.** **26-05**

(52) **U.S. Cl.** **D26/72; D26/118**

(58) **Field of Search** D26/72, 80-92,
D26/74; 362/147, 404-408, 364, 365, 347,
348, 344, 350

(56) **References Cited**

U.S. PATENT DOCUMENTS

Re. 36,908 * 10/2000 Ling 362/341
D. 436,211 * 1/2000 Neeld D26/85
4,761,721 * 8/1988 Willing 362/348
5,278,744 * 1/1994 Geboarg 362/348

OTHER PUBLICATIONS

Illuminotechnica, May 7, 1998, p. 525, spotlight.*

Catalog "Innenraumleuchten Teil 2", Trilux-Lenze GmbH + Co. KG, Arnsberg, Germany, pp. 46-47, published Oct., 1997, Republic of Germany.

* cited by examiner

Primary Examiner—Susan J. Lucas

(74) *Attorney, Agent, or Firm*—Akin, Gump, Strauss, Hauer & Feld, L.L.P.

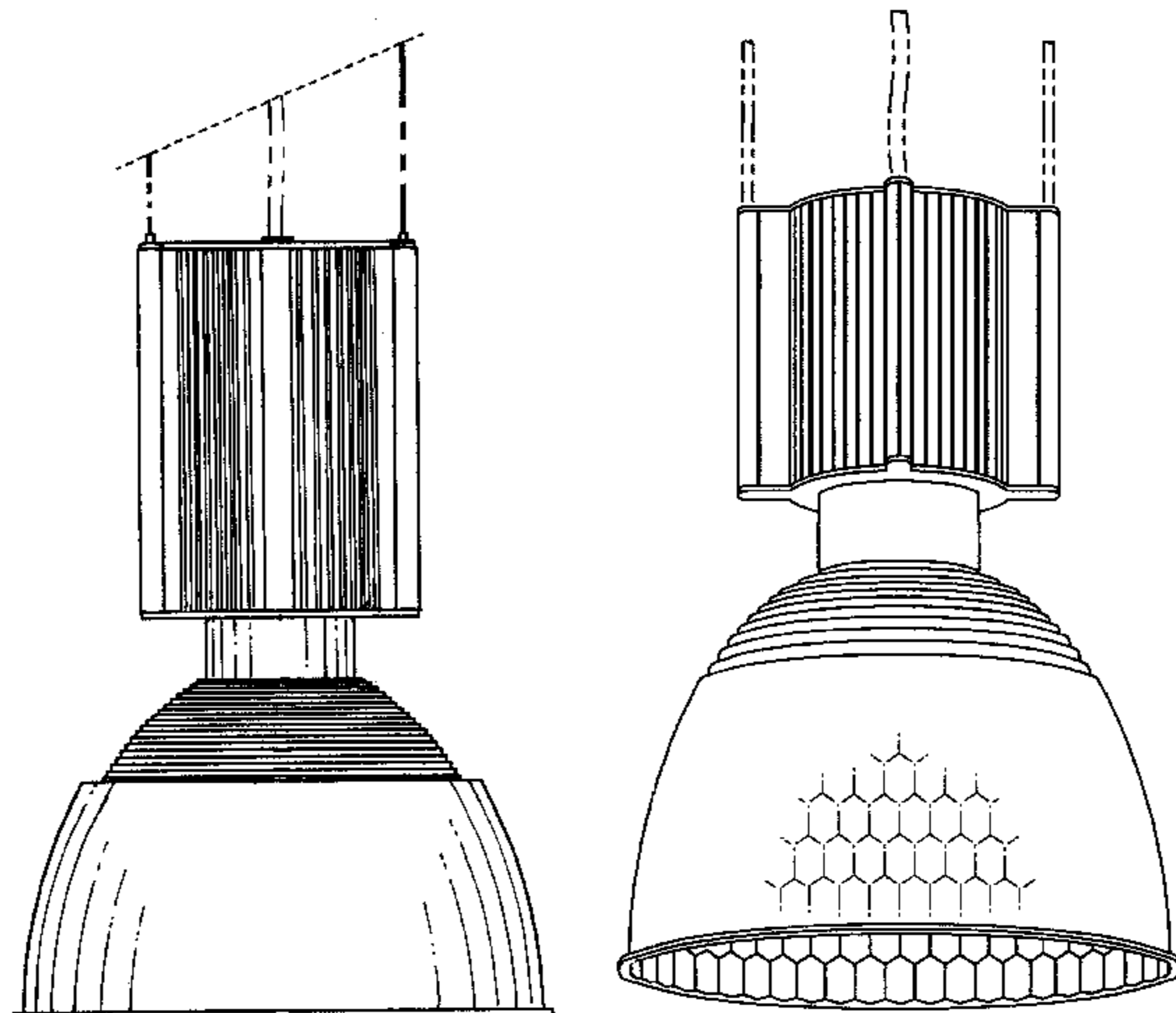
(57) **CLAIM**

The ornamental design for a suspended luminaire, as shown and described.

DESCRIPTION

FIG. 1 is a front elevational view of a first embodiment suspended luminaire according to my new design, the side and rear elevational views being identical;
FIG. 2 is a top plan view thereof;
FIG. 3 is a bottom plan view thereof;
FIG. 4 is a front elevational view of a second embodiment suspended luminaire according to my new design.
FIG. 5 is a left side elevational view thereof, the right side elevational view being a mirror image;
FIG. 6 is a rear elevational view thereof;
FIG. 7 is a top plan view thereof;
FIG. 8 is a bottom plan view thereof;
FIG. 9 is a front elevational view of a third embodiment suspended luminaire according to my new design, the side and rear views being identical;
FIG. 10 is a top plan view thereof;
FIG. 11 is a bottom plan view thereof;
FIG. 12 is a front elevational view of a fourth embodiment suspended luminaire according to my new design.
FIG. 13 is a left side elevational view thereof, the right side elevational view being a mirror image;
FIG. 14 is a rear elevational view thereof;
FIG. 15 is a top plan view thereof;
FIG. 16 is a bottom plan view thereof;
FIG. 17 is a perspective view of a fifth embodiment suspended luminaire according to my new design;
FIG. 18 is a perspective view of a sixth embodiment suspended luminaire according to my new design;
FIG. 19 is a perspective view of a seventh embodiment suspended luminaire according to my new design; and,
FIG. 20 is a perspective view of an eighth embodiment suspended luminaire according to my new design.
The indicated central power supply cord and outwardly positioned suspension members are not part of the ornamental design. Embodiments five through eight correspond to embodiments one through four, respectively, with geometric patterning (elongated hexagons vertically oriented) on the inner spherical surface.

1 Claim, 16 Drawing Sheets



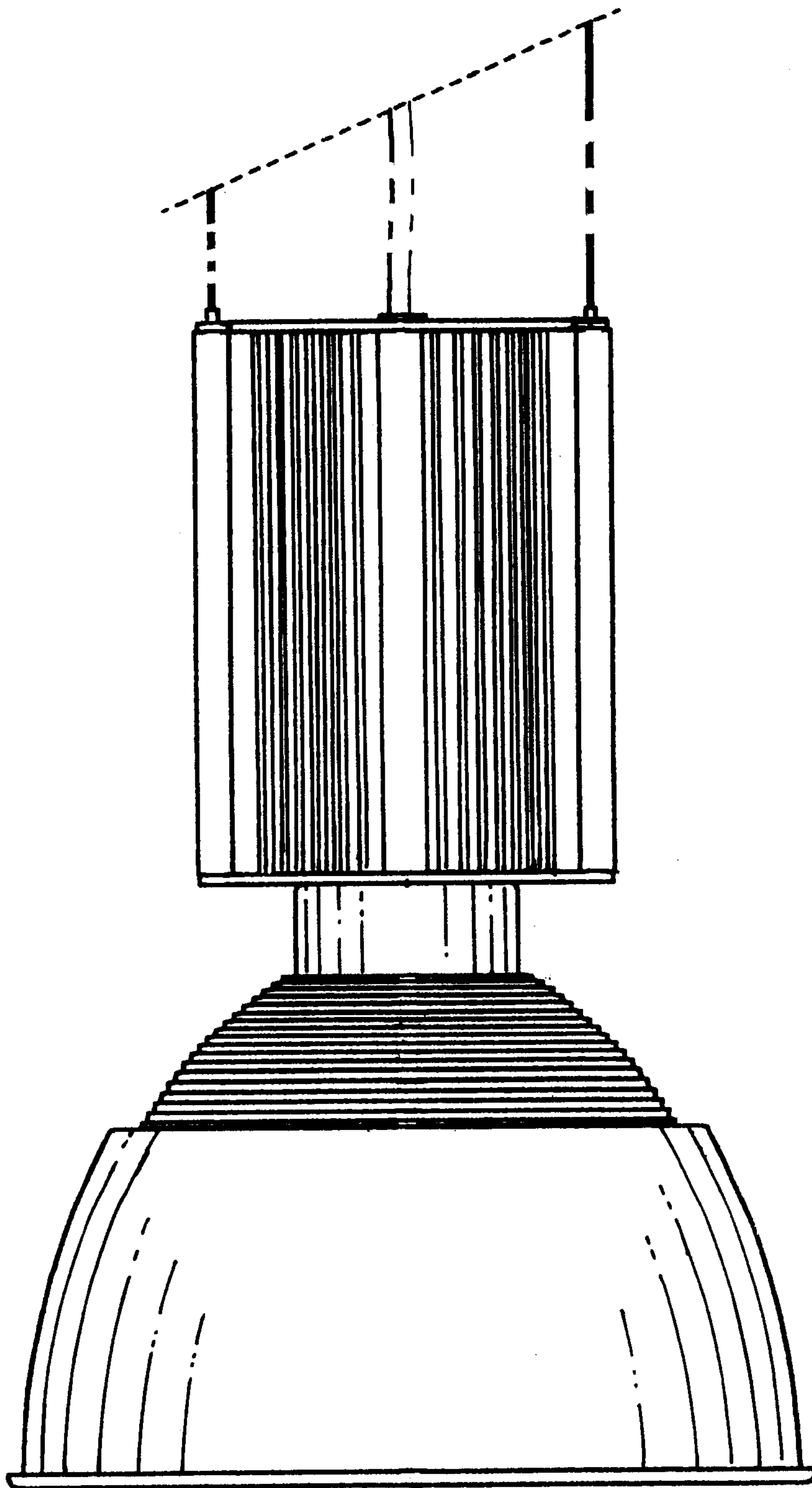


Fig. 1

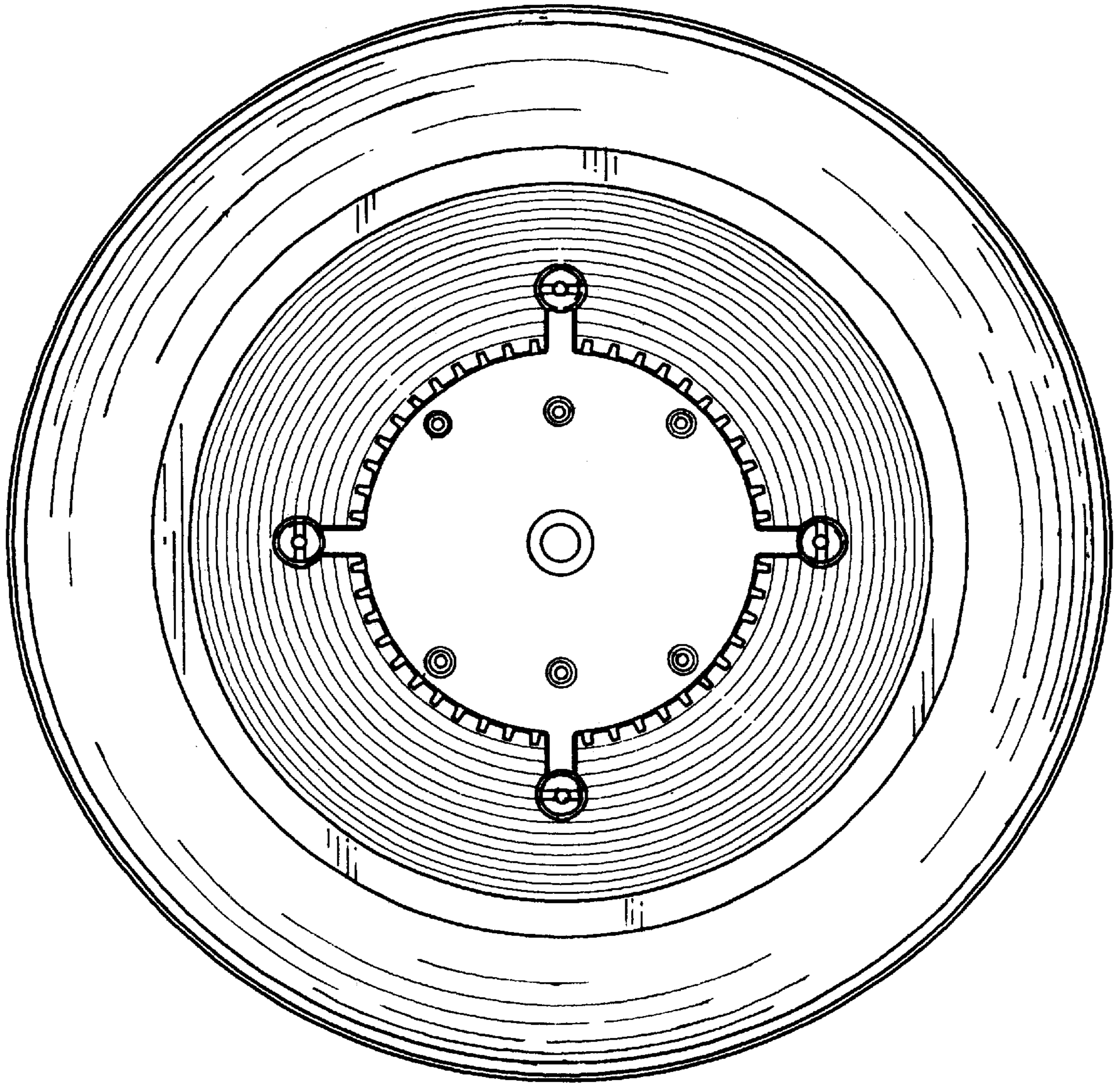


Fig. 2

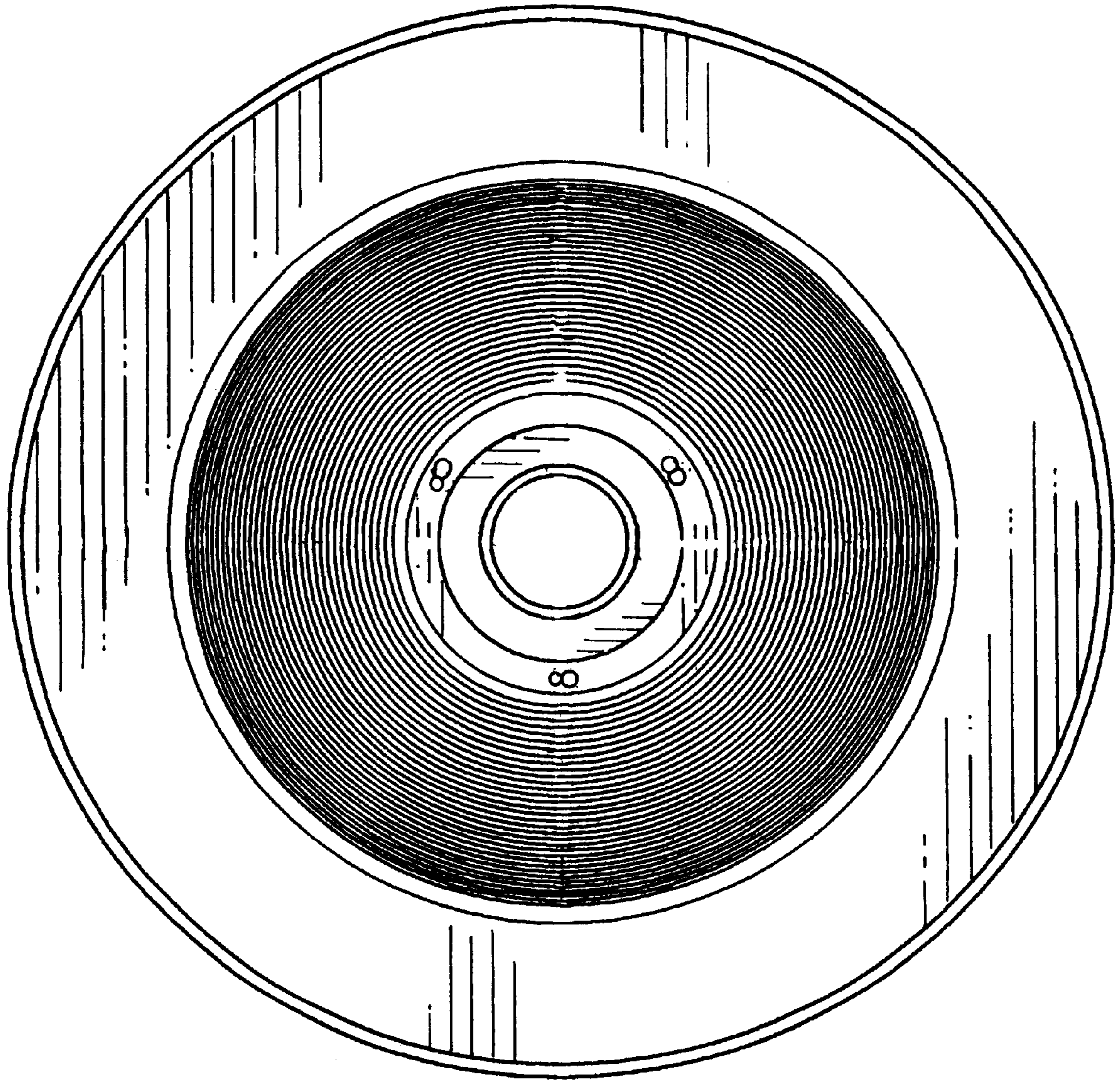


Fig. 3

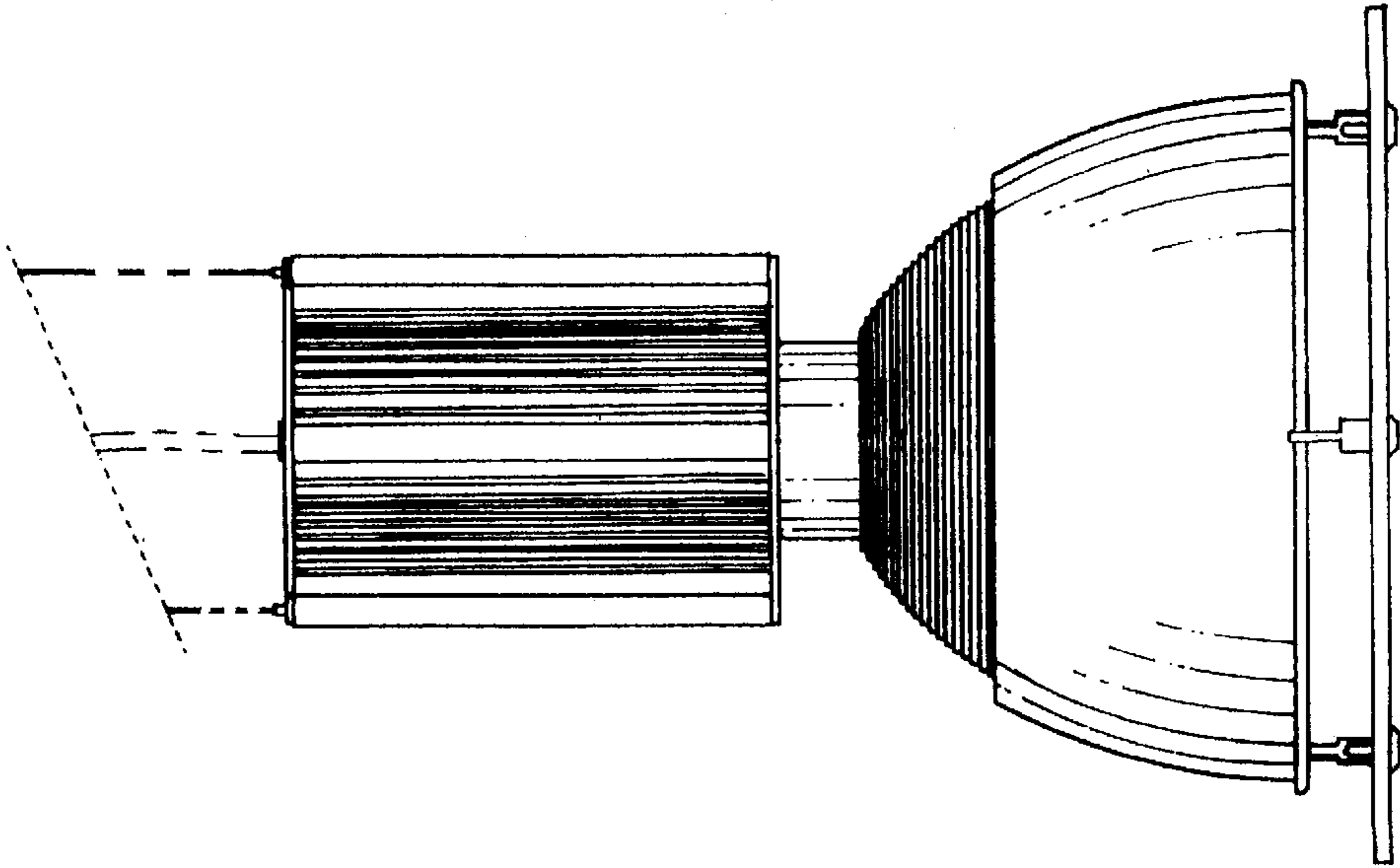


Fig. 4

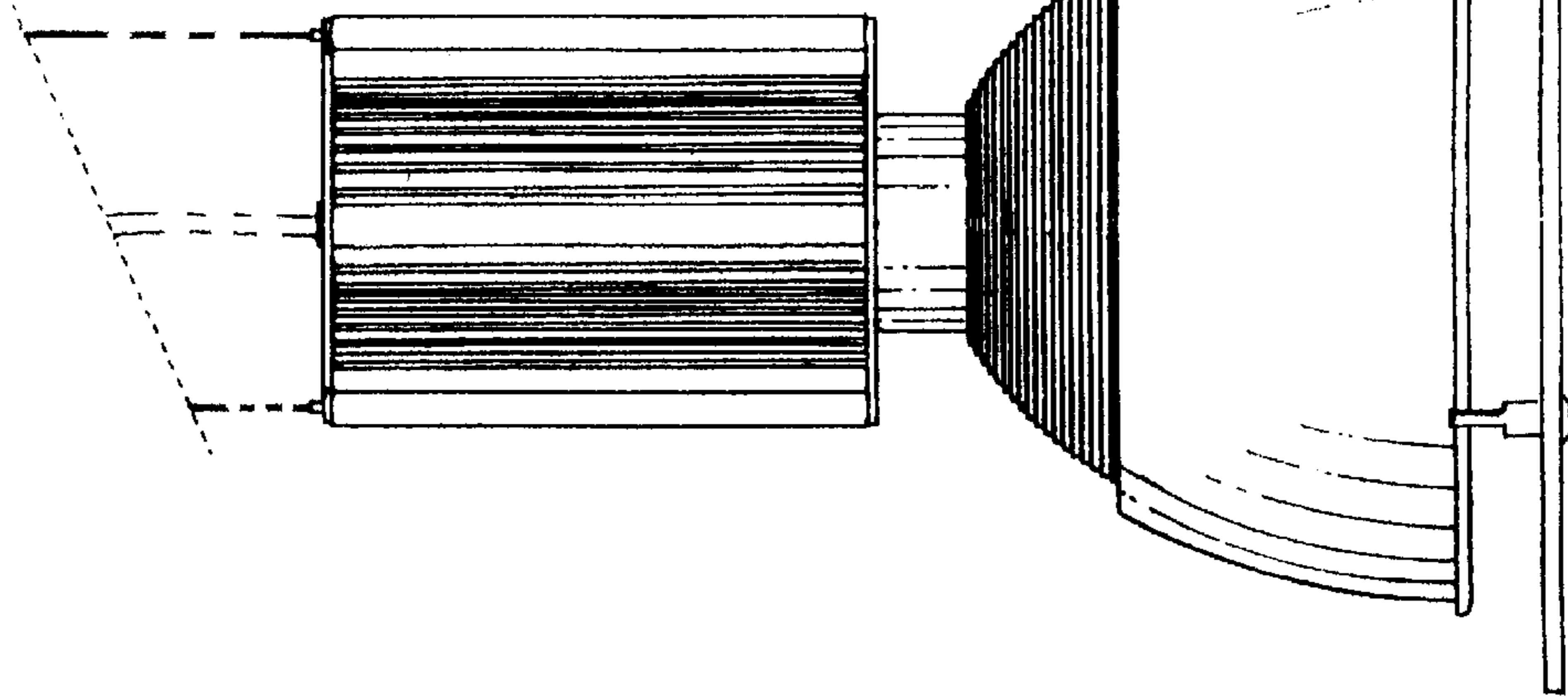


Fig. 5

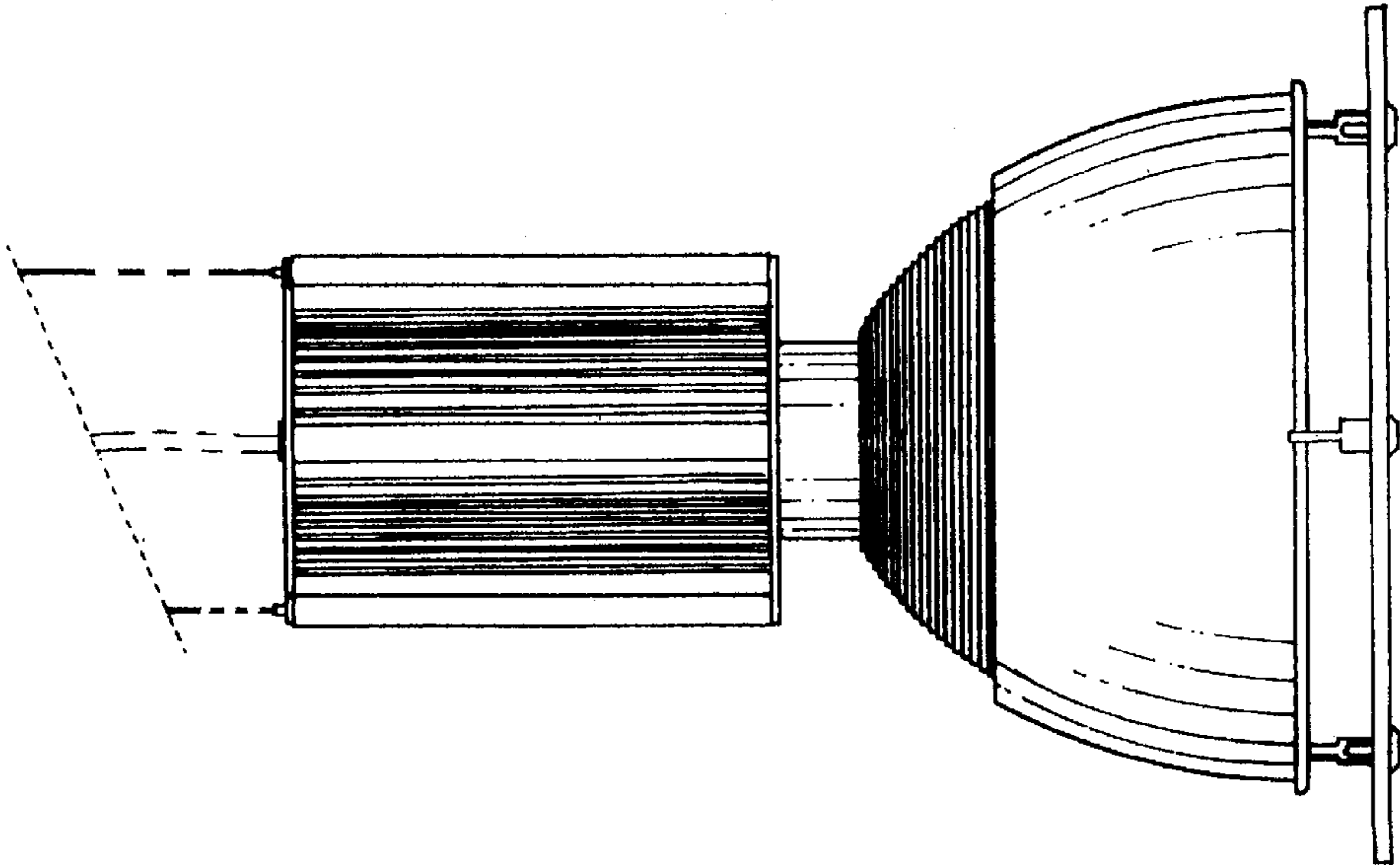


Fig. 6

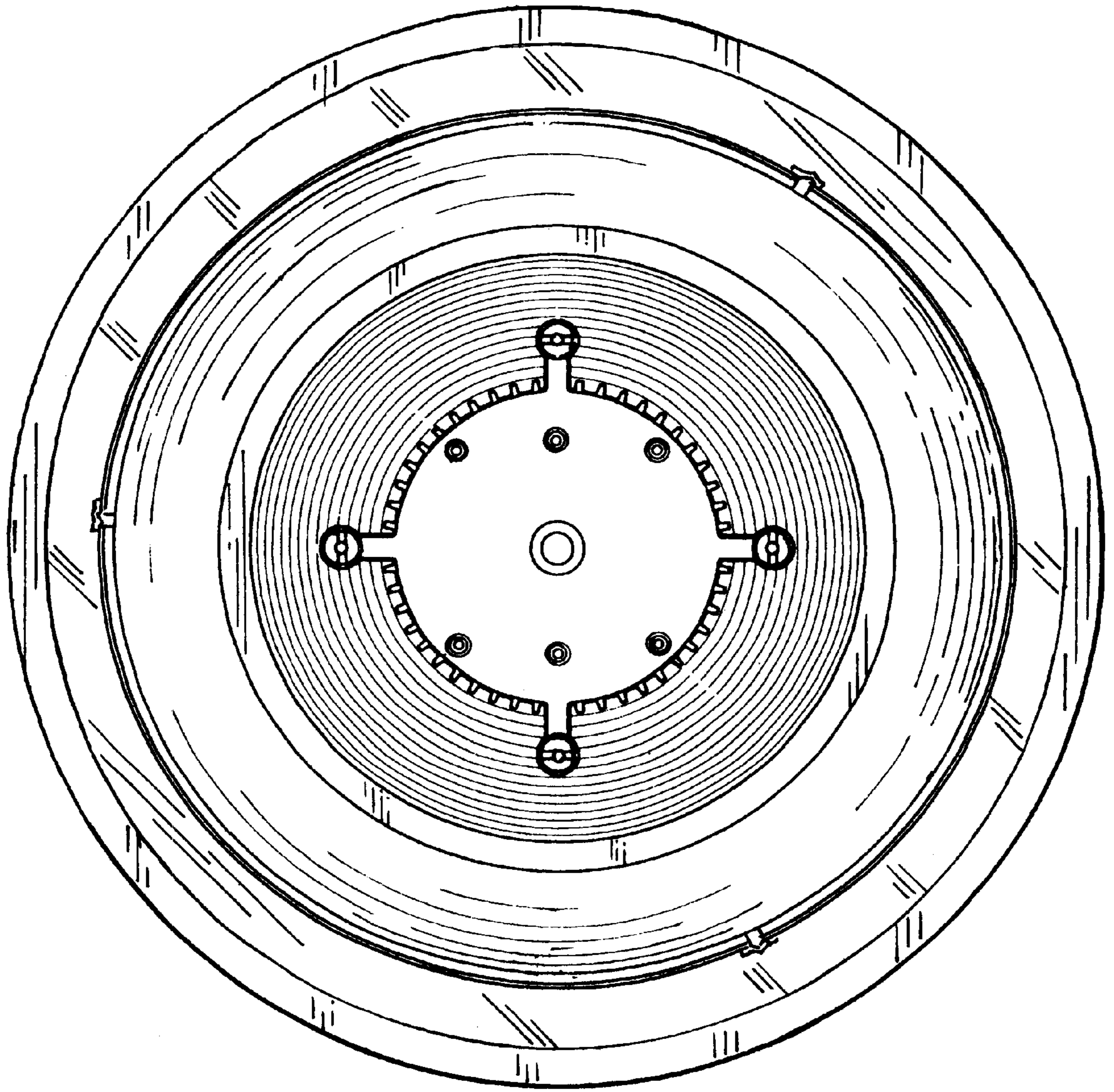


Fig. 7

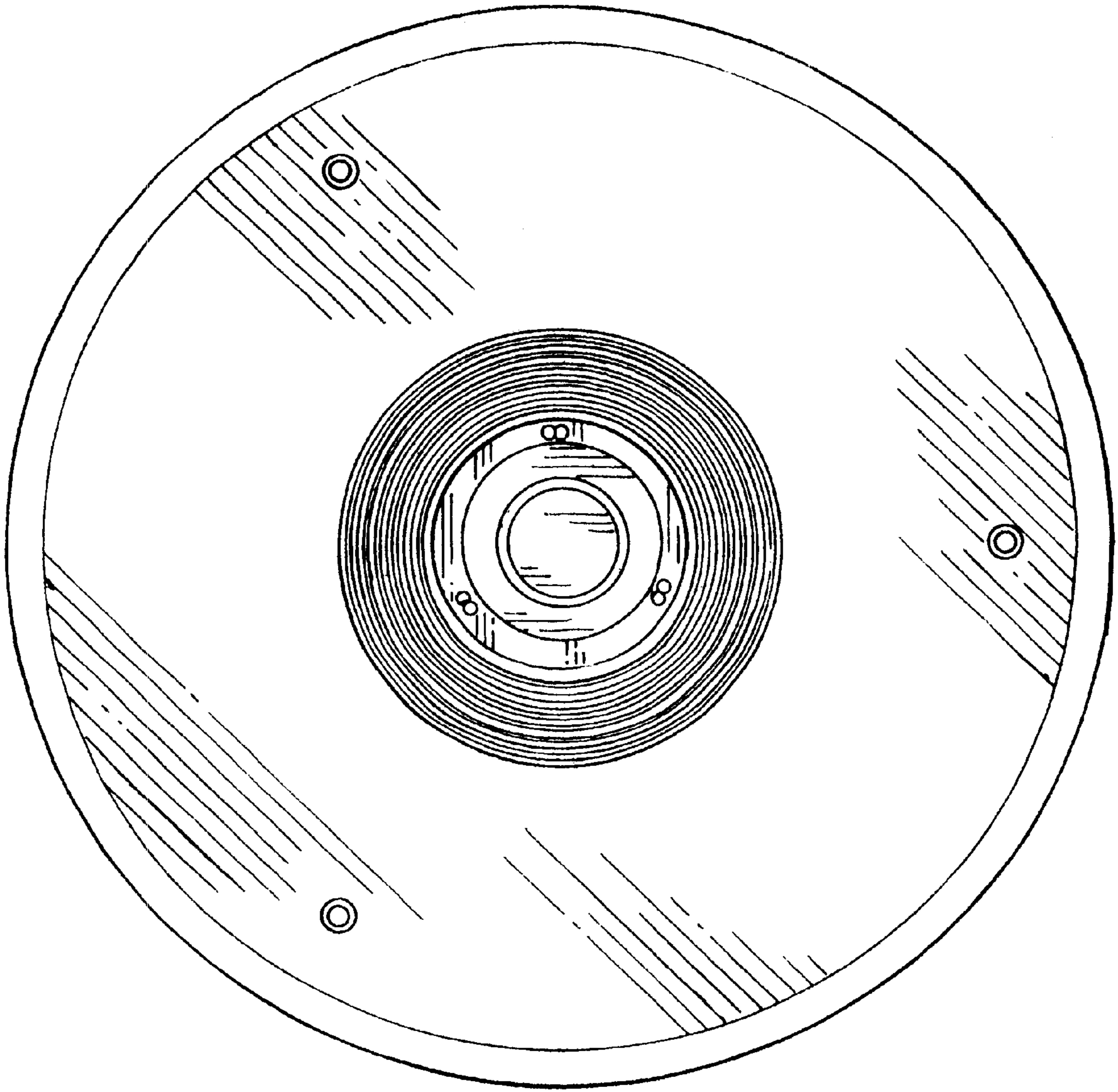


Fig. 8

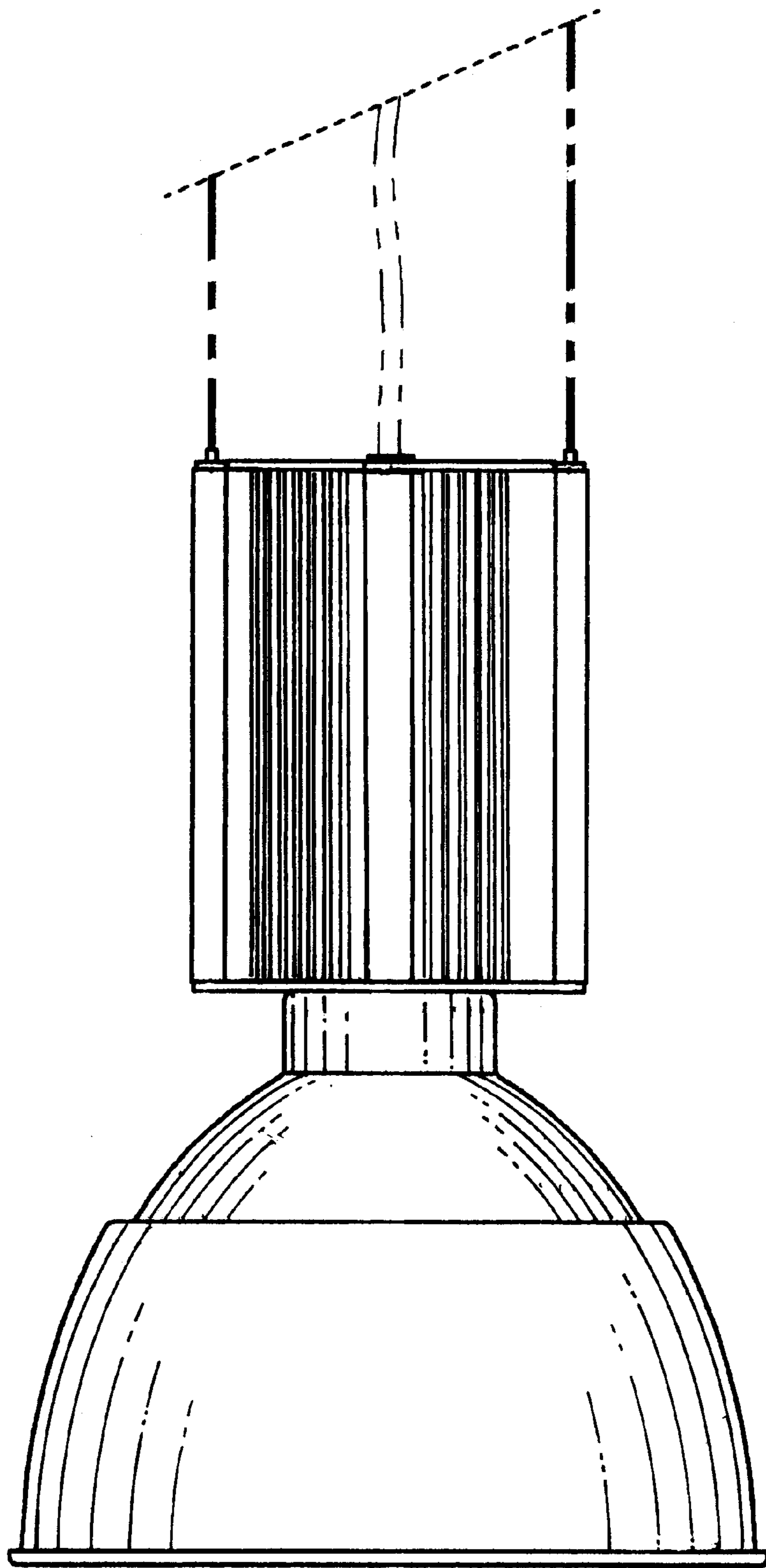


Fig. 9

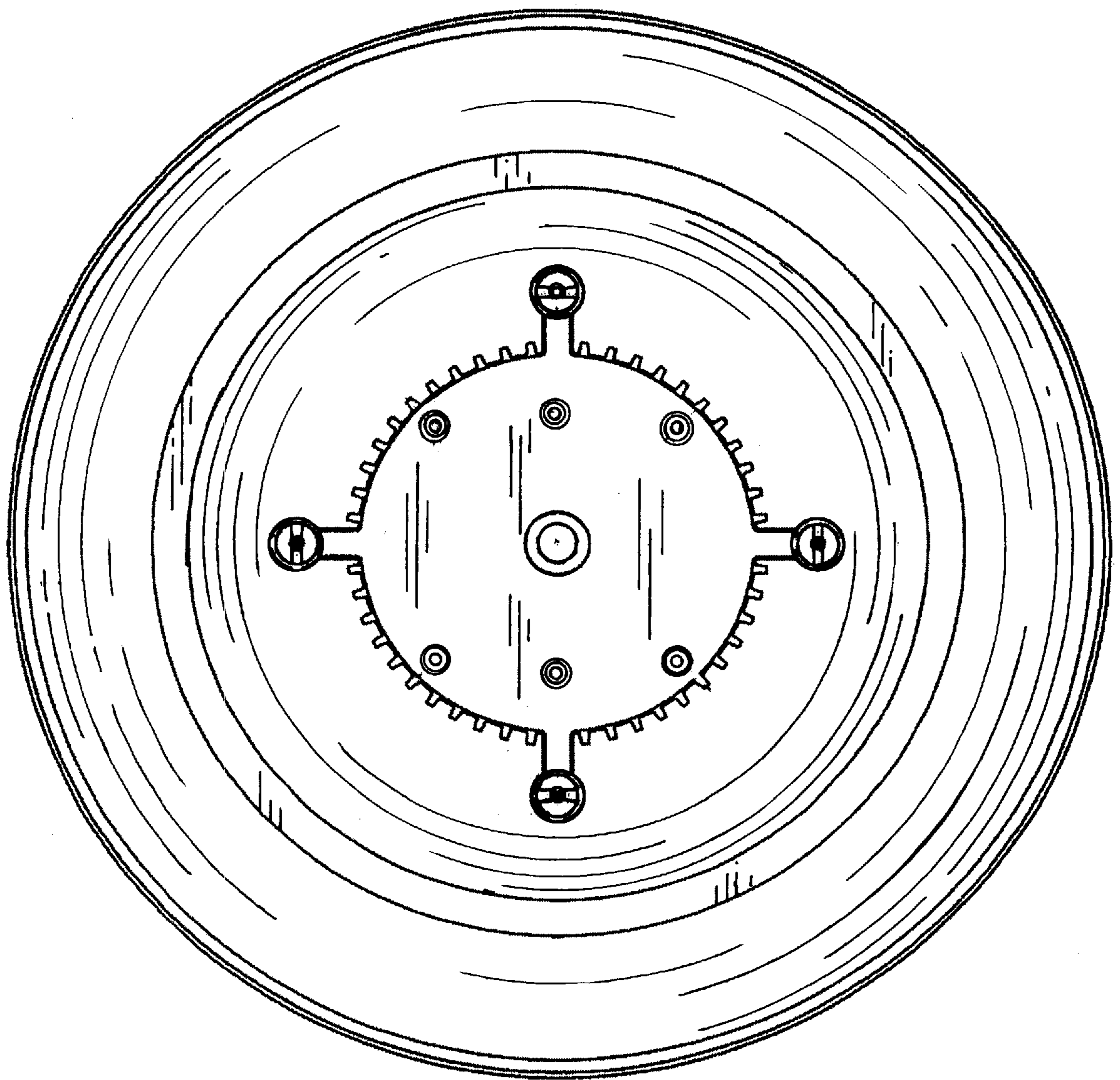


Fig. 10

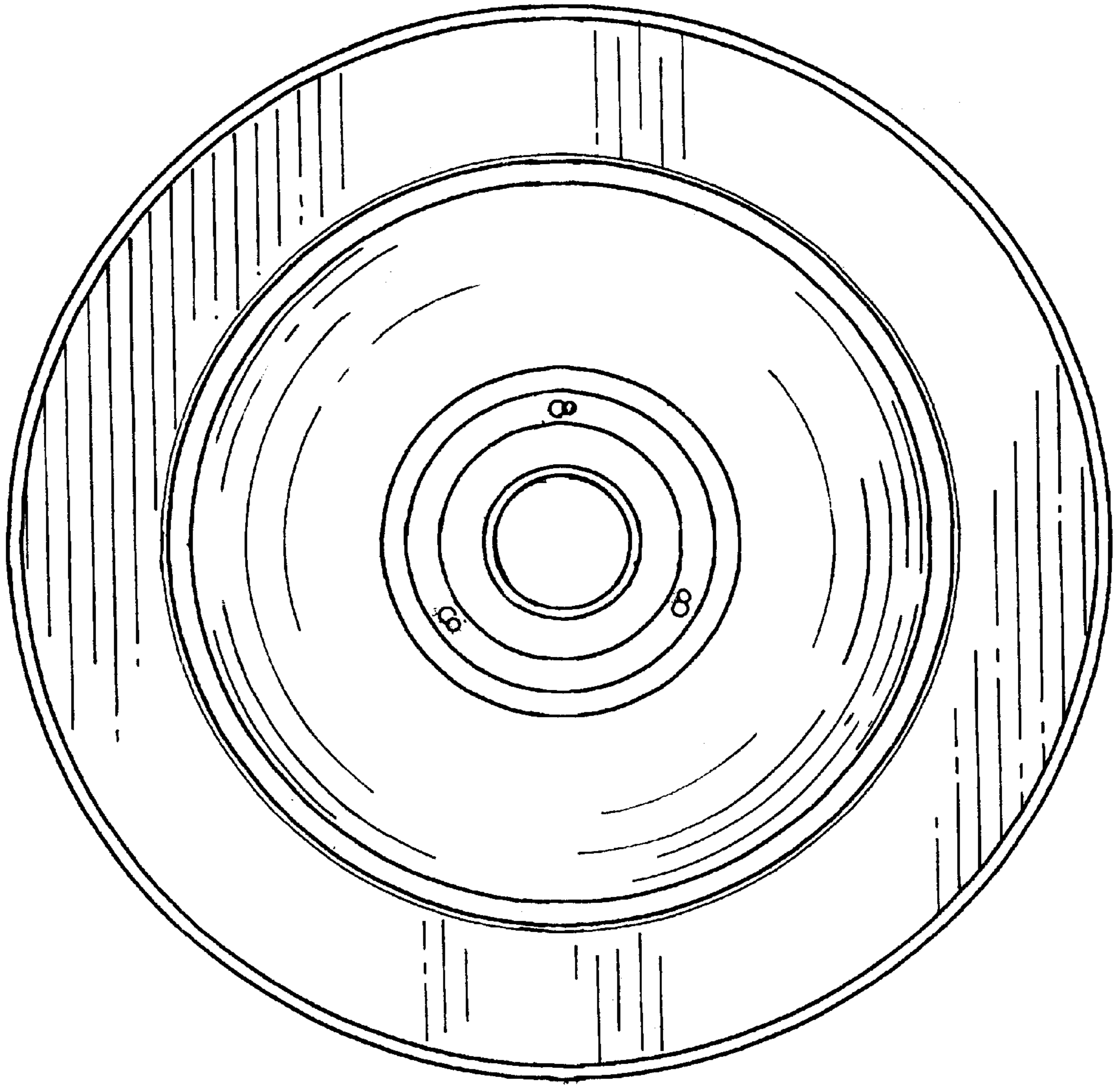


Fig. 11

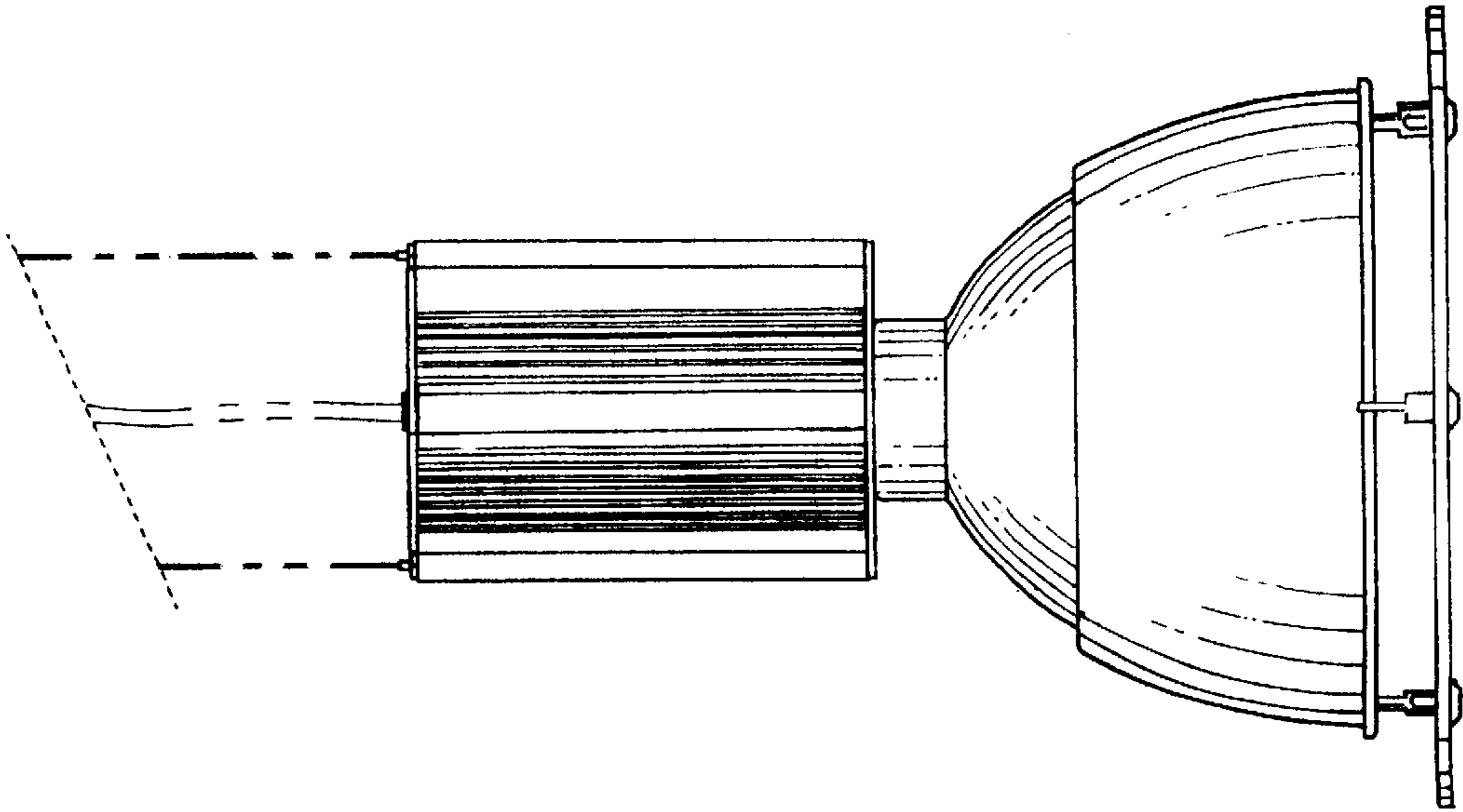


Fig. 14

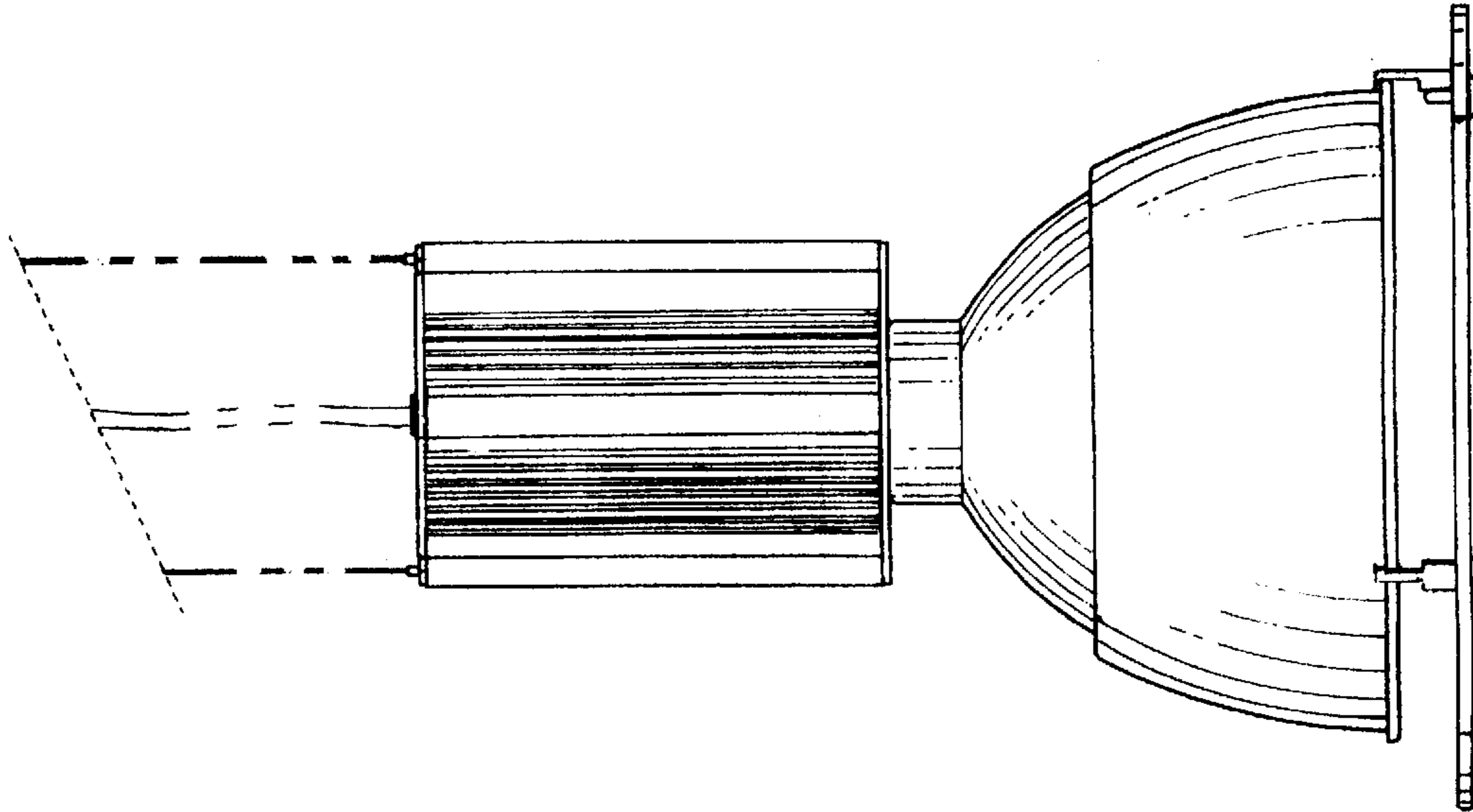


Fig. 13

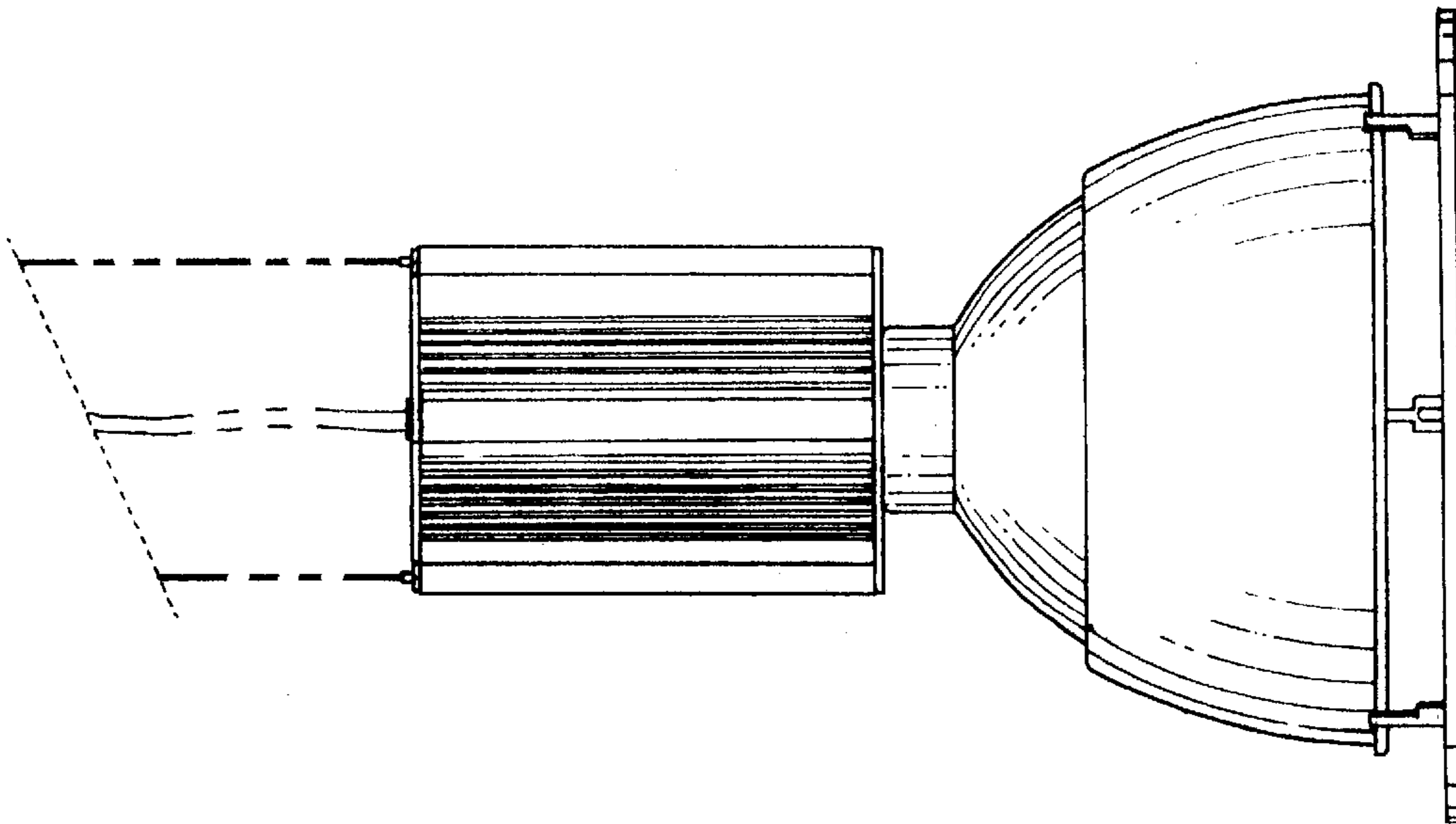


Fig. 12

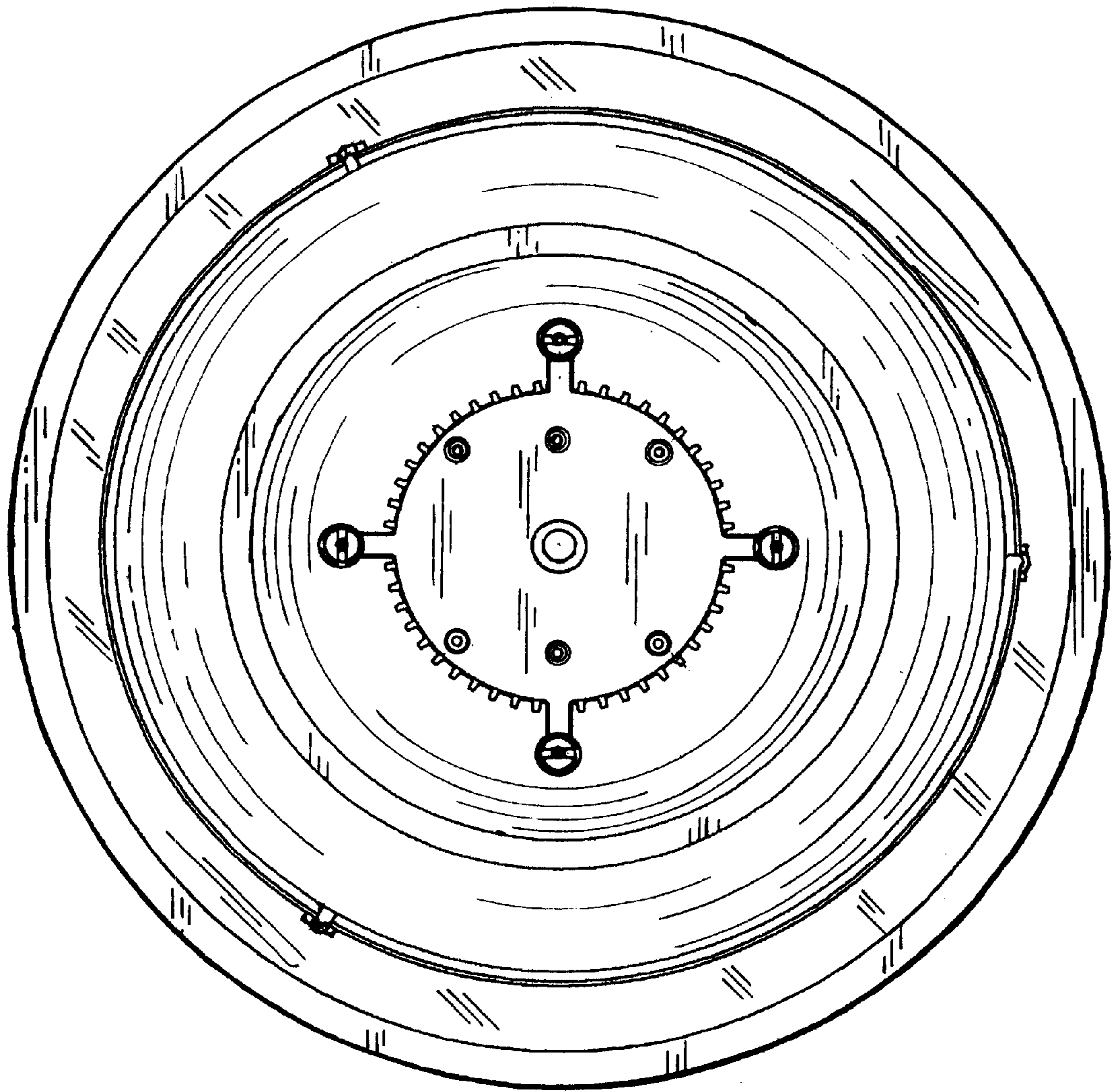


Fig.15



Fig. 16

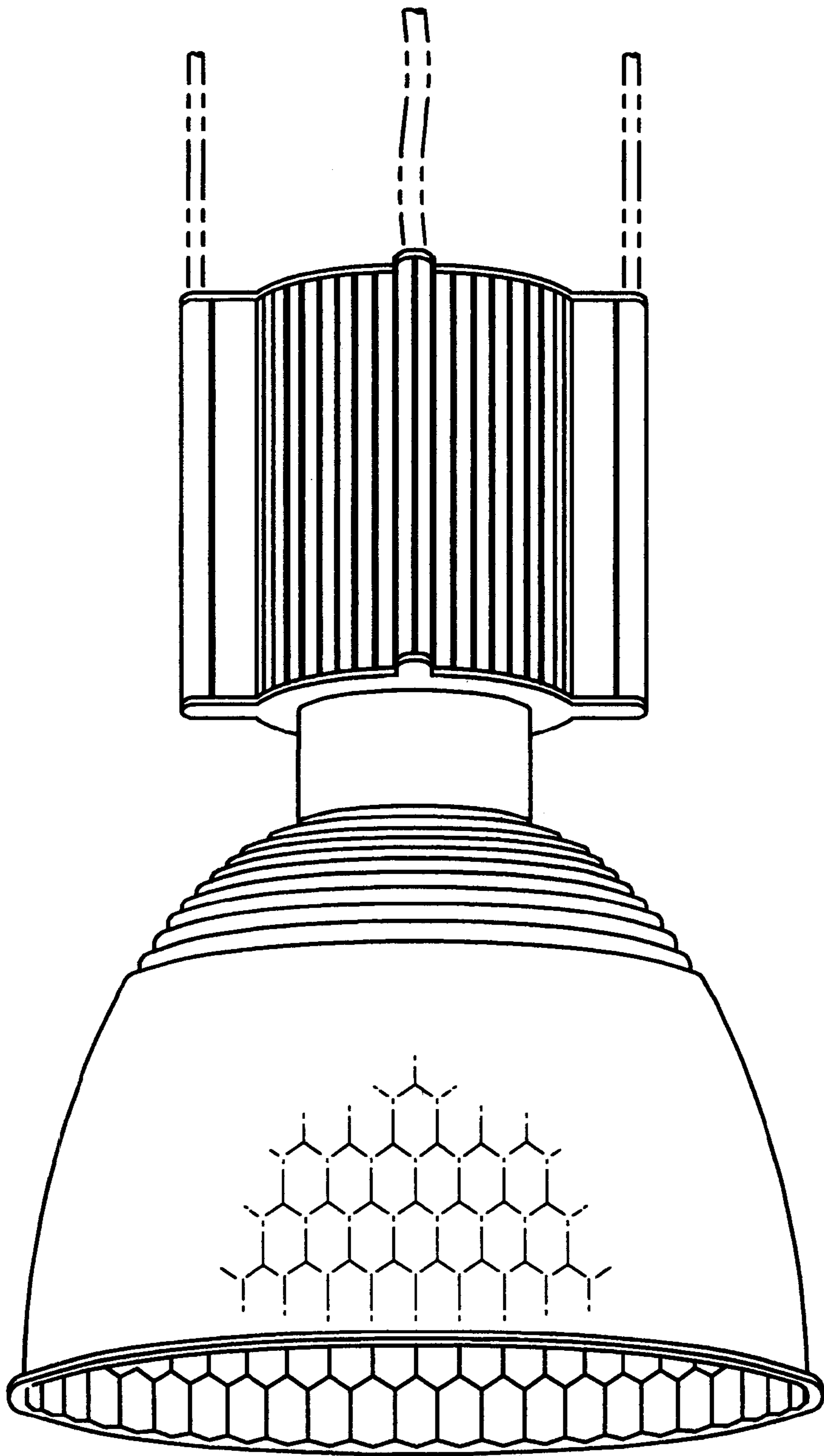


Fig. 17

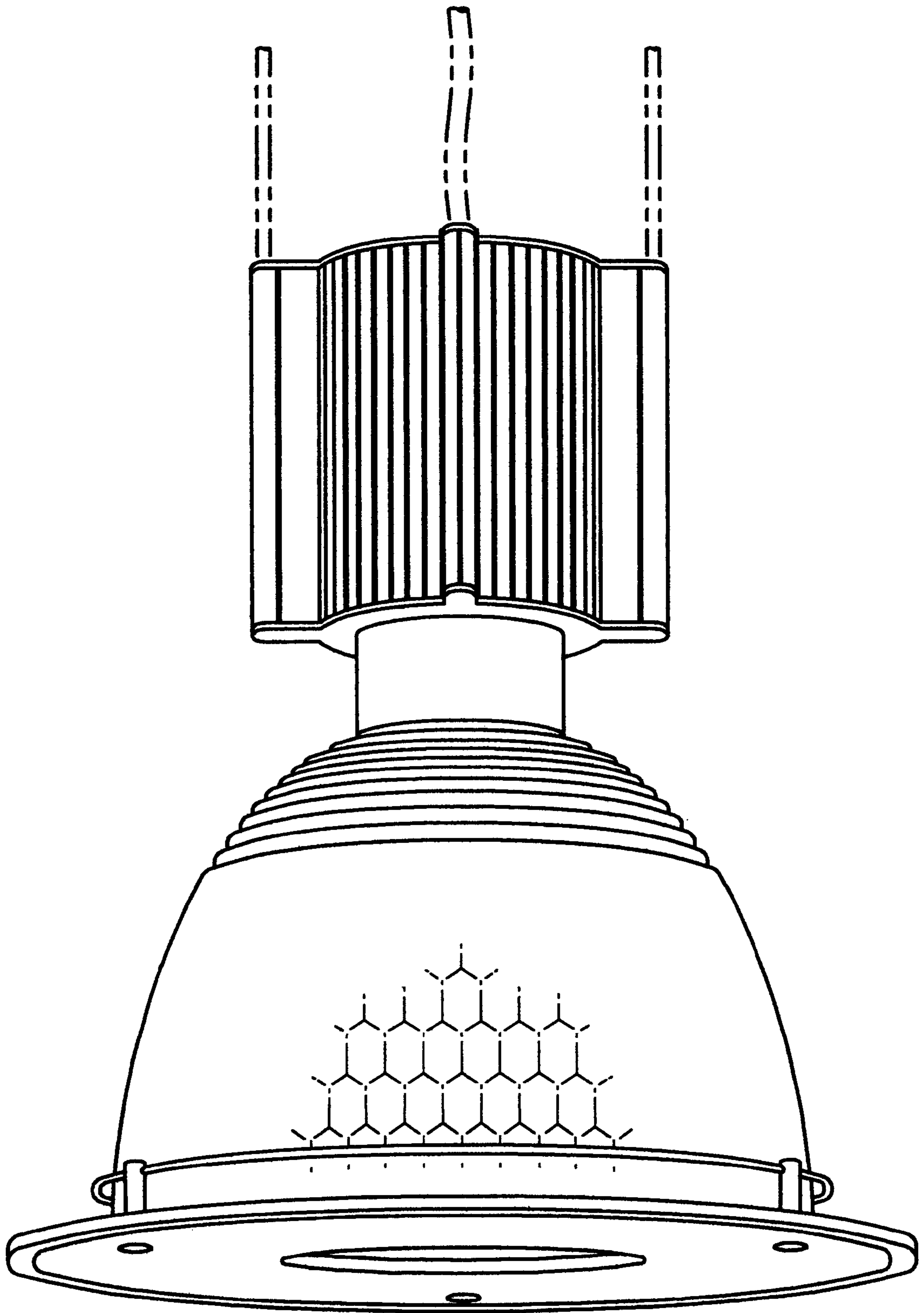


Fig. 18

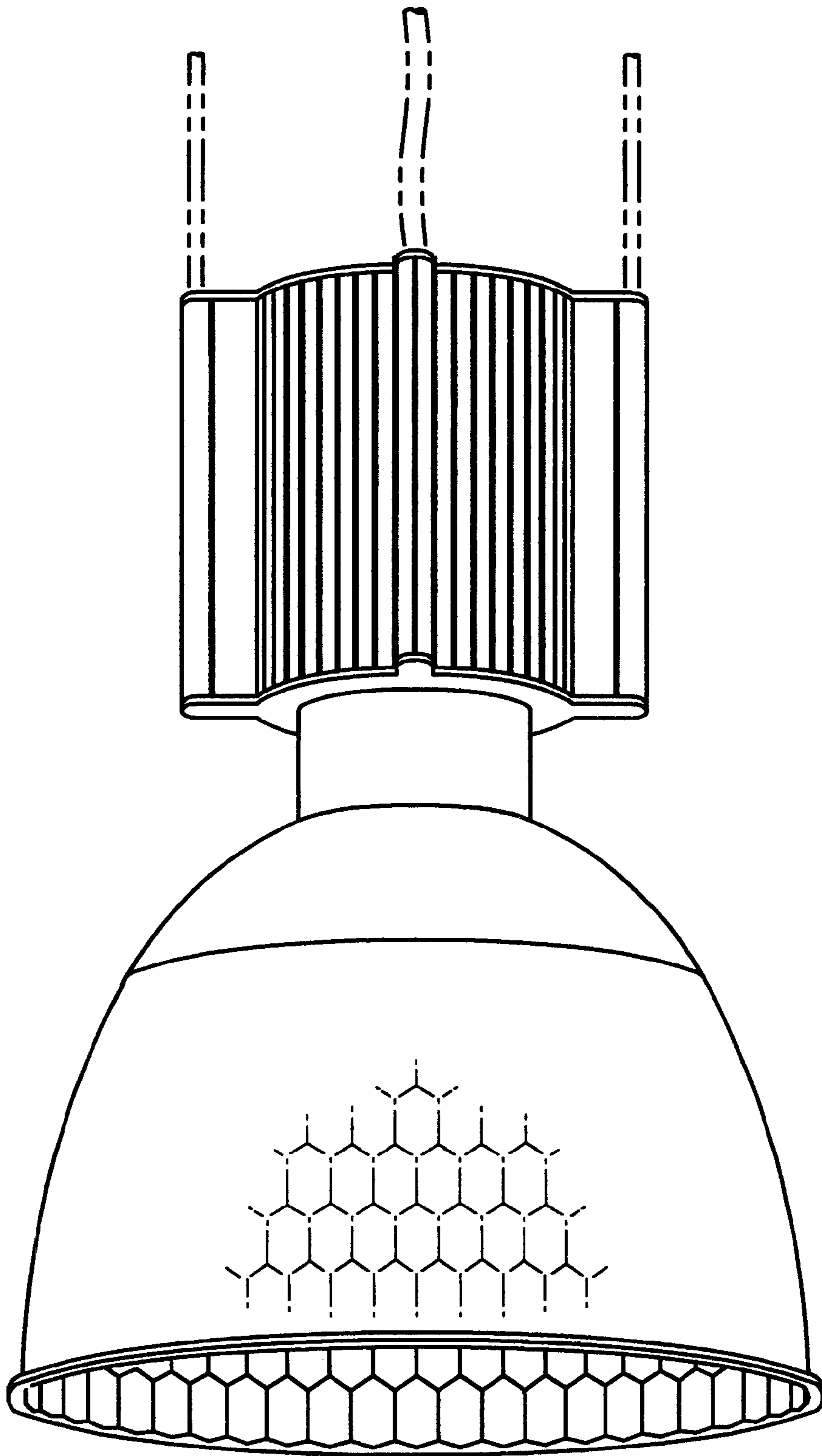


Fig. 19

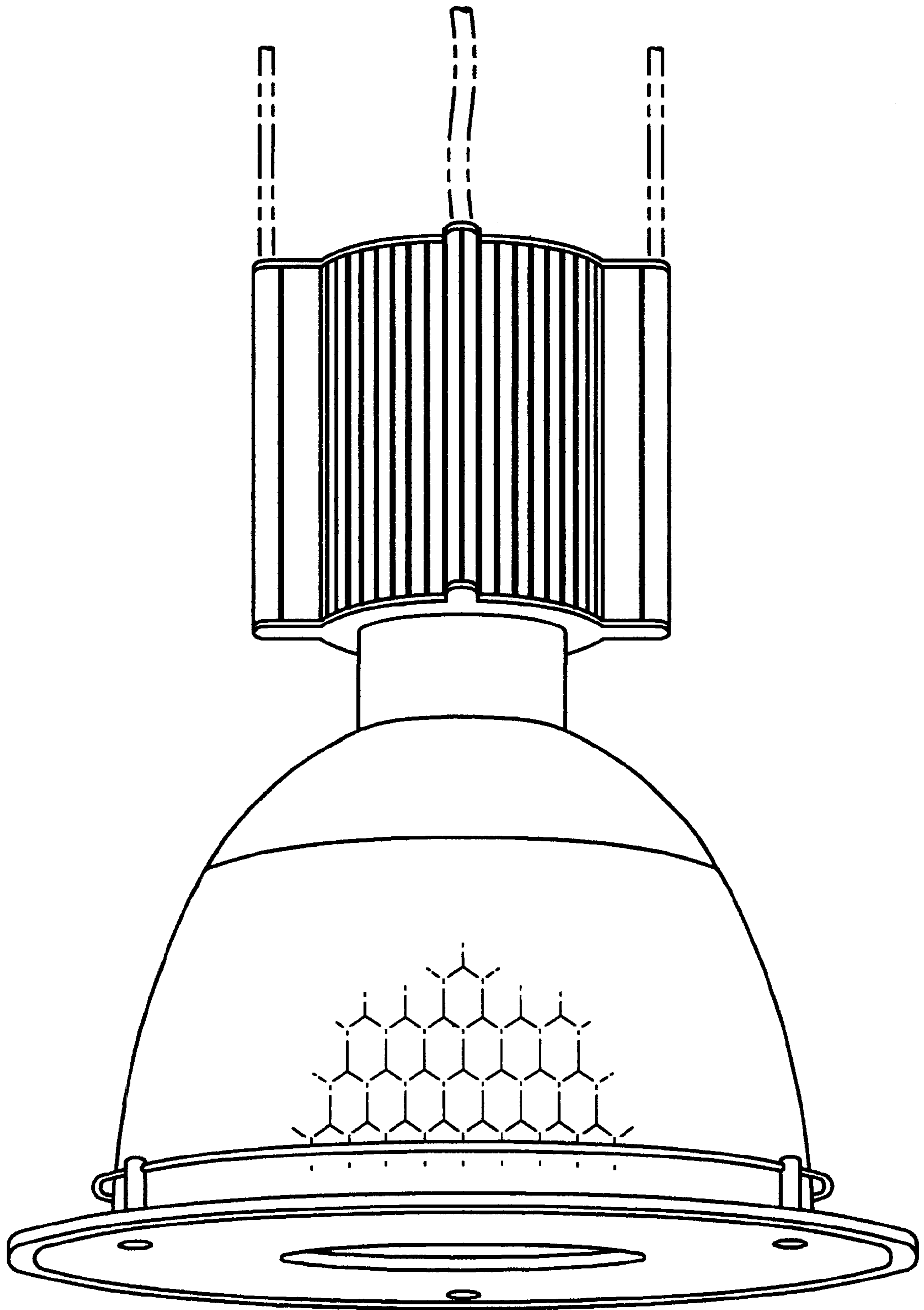


Fig. 20