



US00D450404B1

(12) **United States Design Patent**
Kit

(10) **Patent No.:** **US D450,404 S**

(45) **Date of Patent:** **** Nov. 13, 2001**

(54) **MICRO FLUORESCENT AND SPOTLIGHT**

(76) **Inventor:** **Yuen Se Kit**, 6/F Yau Lee Centre, 45
Hoi Yuen Road, Kwun Tong, Kowloon
(HK)

(**) **Term:** **14 Years**

(21) **Appl. No.:** **29/140,648**

(22) **Filed:** **Apr. 23, 2001**

(51) **LOC (7) Cl.** **26-02**

(52) **U.S. Cl.** **D26/49**

(58) **Field of Search** D26/37-50; 362/157,
362/158, 171, 173, 183-208

(56) **References Cited**

U.S. PATENT DOCUMENTS

- D. 431,085 * 9/2000 Poon D26/49
- D. 442,308 * 5/2001 Chiu D26/49

* cited by examiner

Primary Examiner—Marcus A. Jackson

(74) *Attorney, Agent, or Firm*—Raymond Y. Chan; David &
Raymond Patent Group

(57) **CLAIM**

The ornamental design for a micro fluorescent and spotlight,
as shown.

DESCRIPTION

FIG. 1 is a perspective view showing my new design.

FIG. 2 is a front view thereof.

FIG. 3 is a rear view thereof.

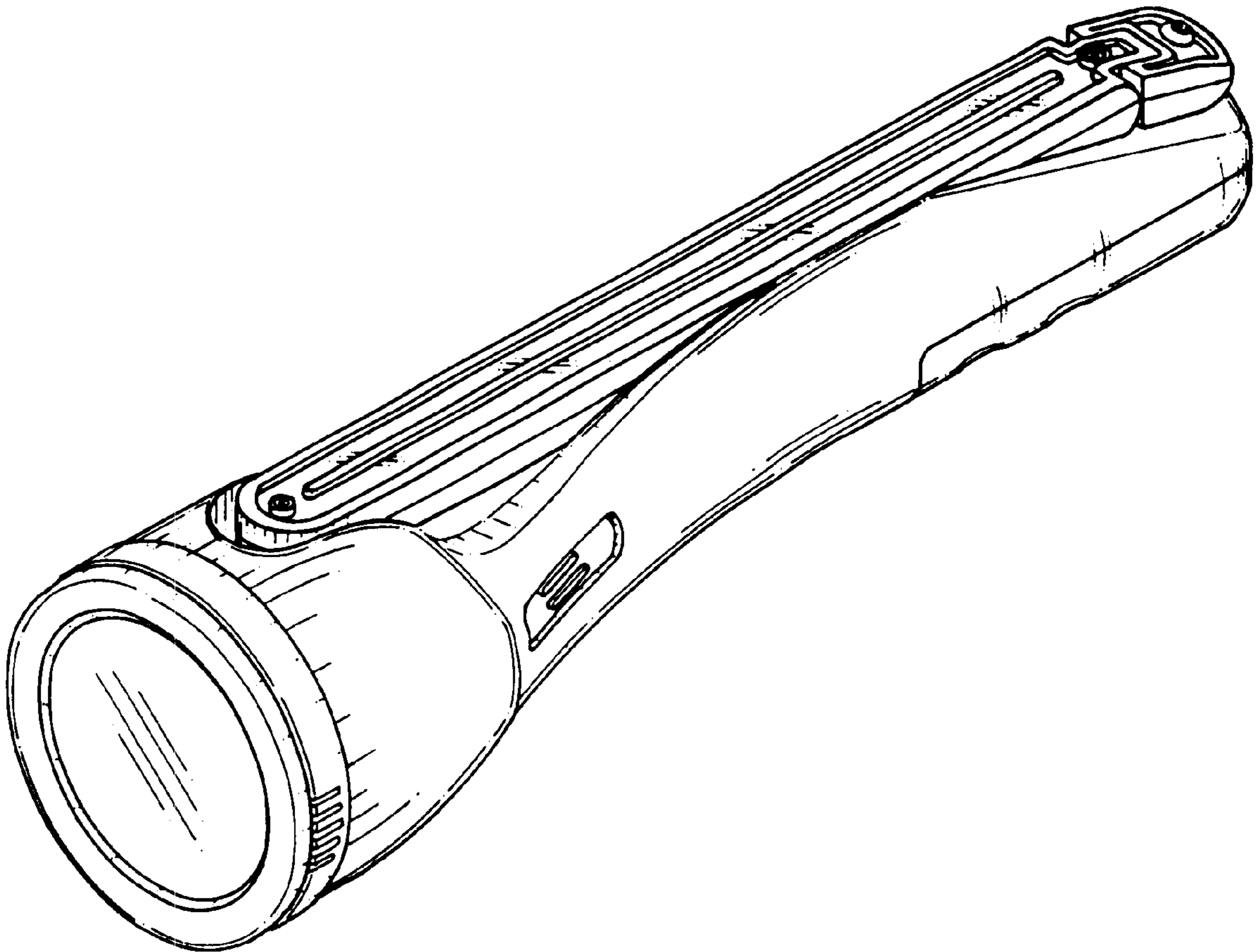
FIG. 4 is a right end view thereof.

FIG. 5 is a left end view thereof.

FIG. 6 is a top view thereof; and,

FIG. 7 is a bottom view thereof.

1 Claim, 7 Drawing Sheets



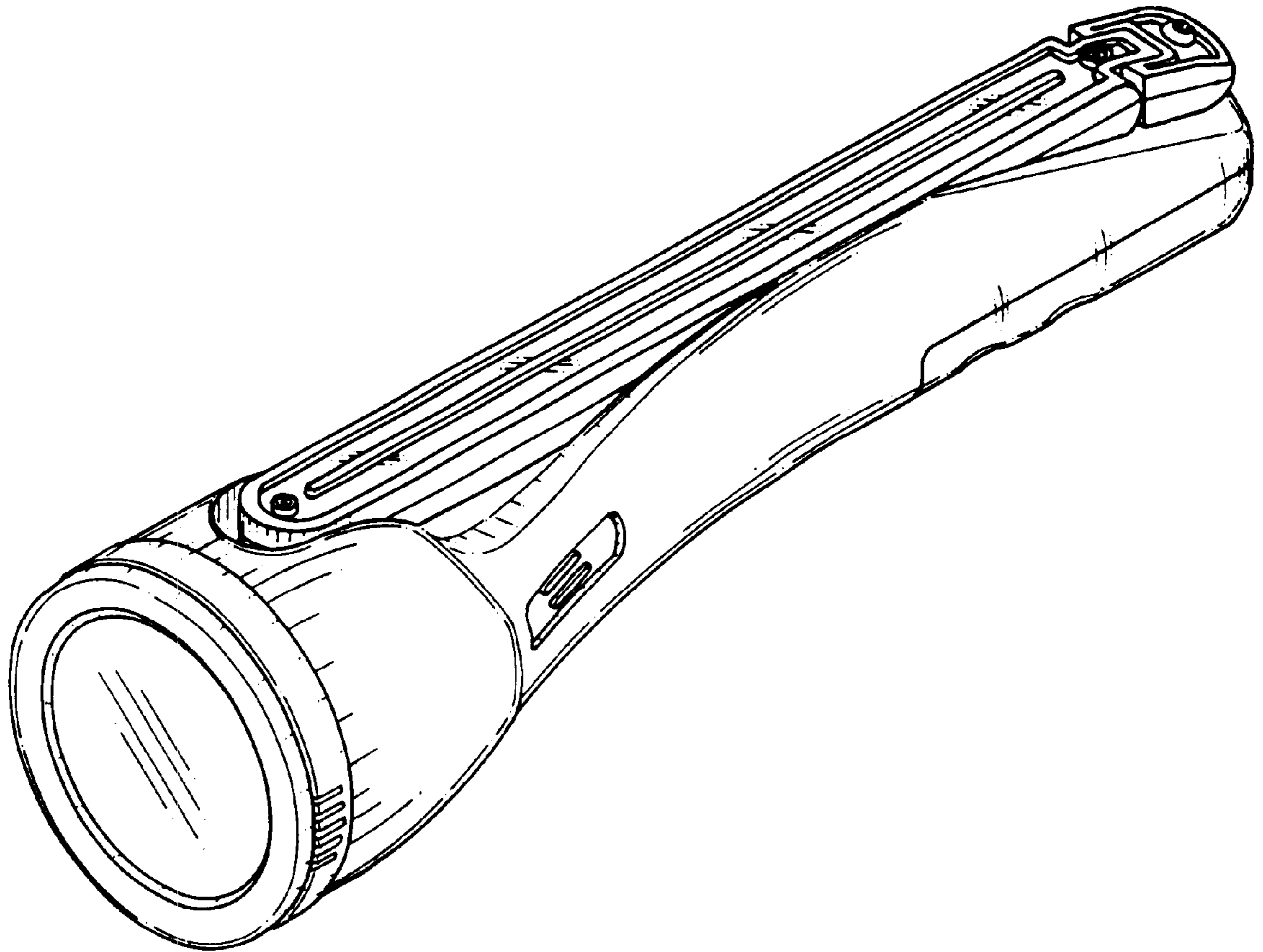


FIG. 1

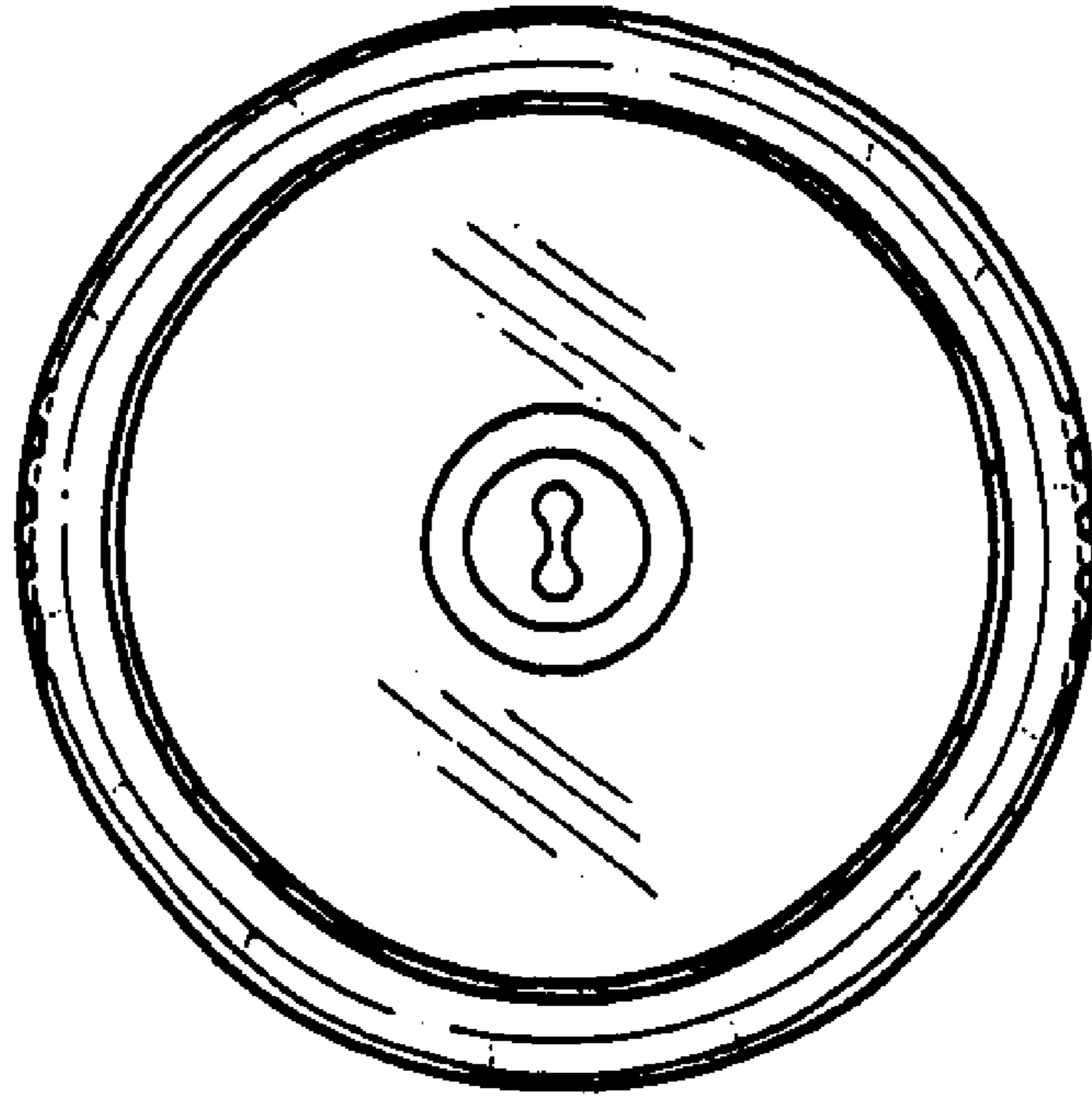


FIG.2

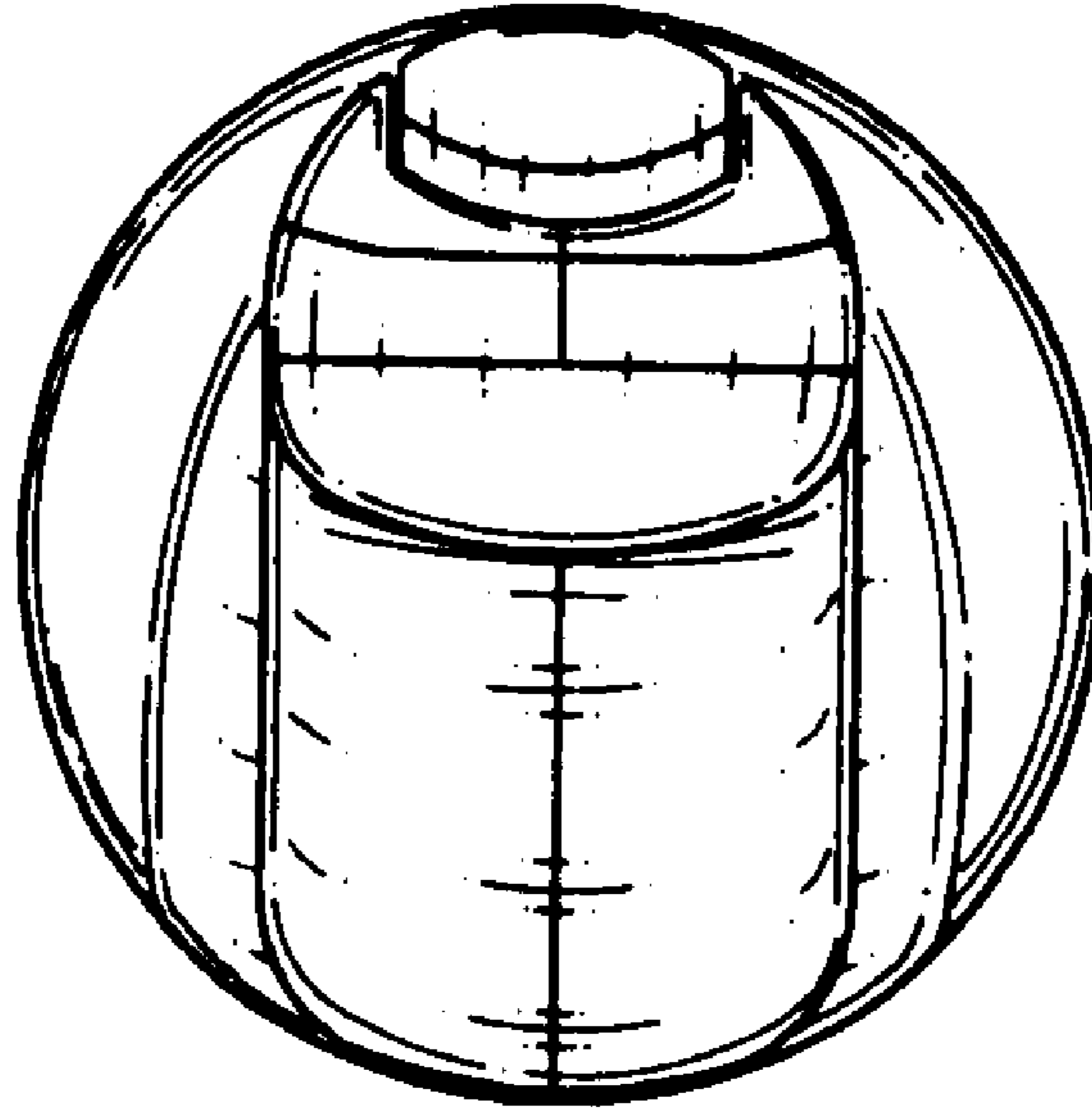


FIG.3



FIG.4

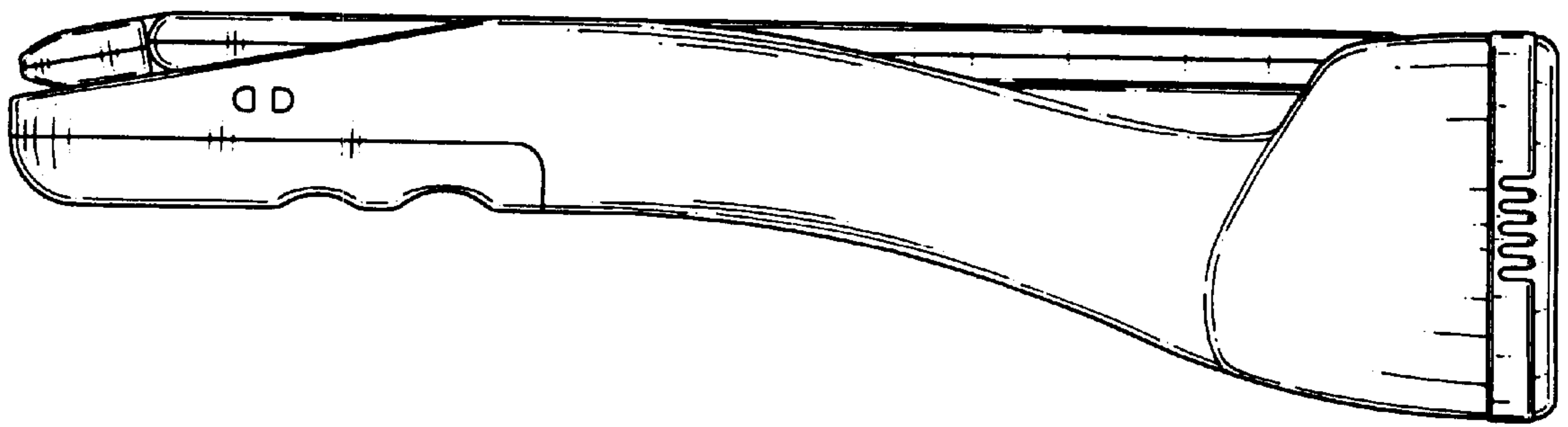


FIG.5

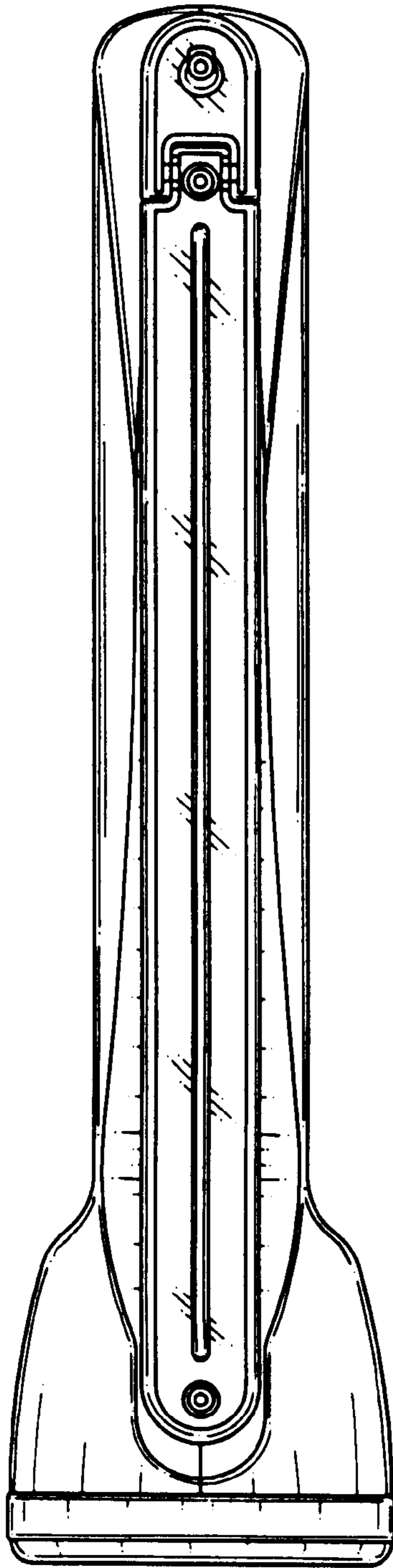


FIG.6

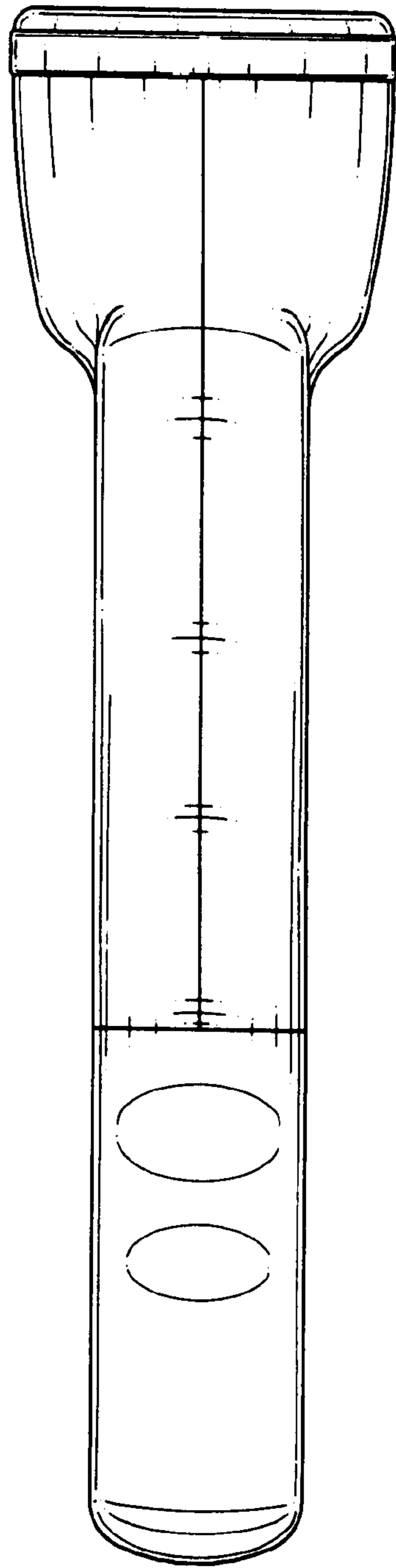


FIG.7