



US00D450402B1

(12) **United States Design Patent**
Xuan

(10) **Patent No.:** **US D450,402 S**

(45) **Date of Patent:** **** Nov. 13, 2001**

(54) **AUTOMOBILE LIGHT**

Primary Examiner—Marcus A. Jackson

(76) **Inventor:** **Jialuo Xuan**, P.O. Box 360409,
Milpitas, CA (US) 95036-0409

(57) **CLAIM**

(**) **Term:** **14 Years**

The ornamental design for an automobile light, as shown and described.

(21) **Appl. No.:** **29/047,913**

DESCRIPTION

(22) **Filed:** **Dec. 14, 1995**

(51) **LOC (7) Cl.** **26-04**

FIG. 1 is a top plan view of an automobile light showing my new design with the cord broken away for convenience of illustration only;

(52) **U.S. Cl.** **D26/28**

FIG. 2 is a front elevational view thereof;

(58) **Field of Search** D10/109, 114,
D10/121; D26/28-35; D20/10, 40, 42; 40/1,
584, 540, 541, 542

FIG. 3 is a rear elevational view thereof;

(56) **References Cited**

FIG. 4 is a right side elevational view thereof, with the opposite side being a mirror image; and,

U.S. PATENT DOCUMENTS

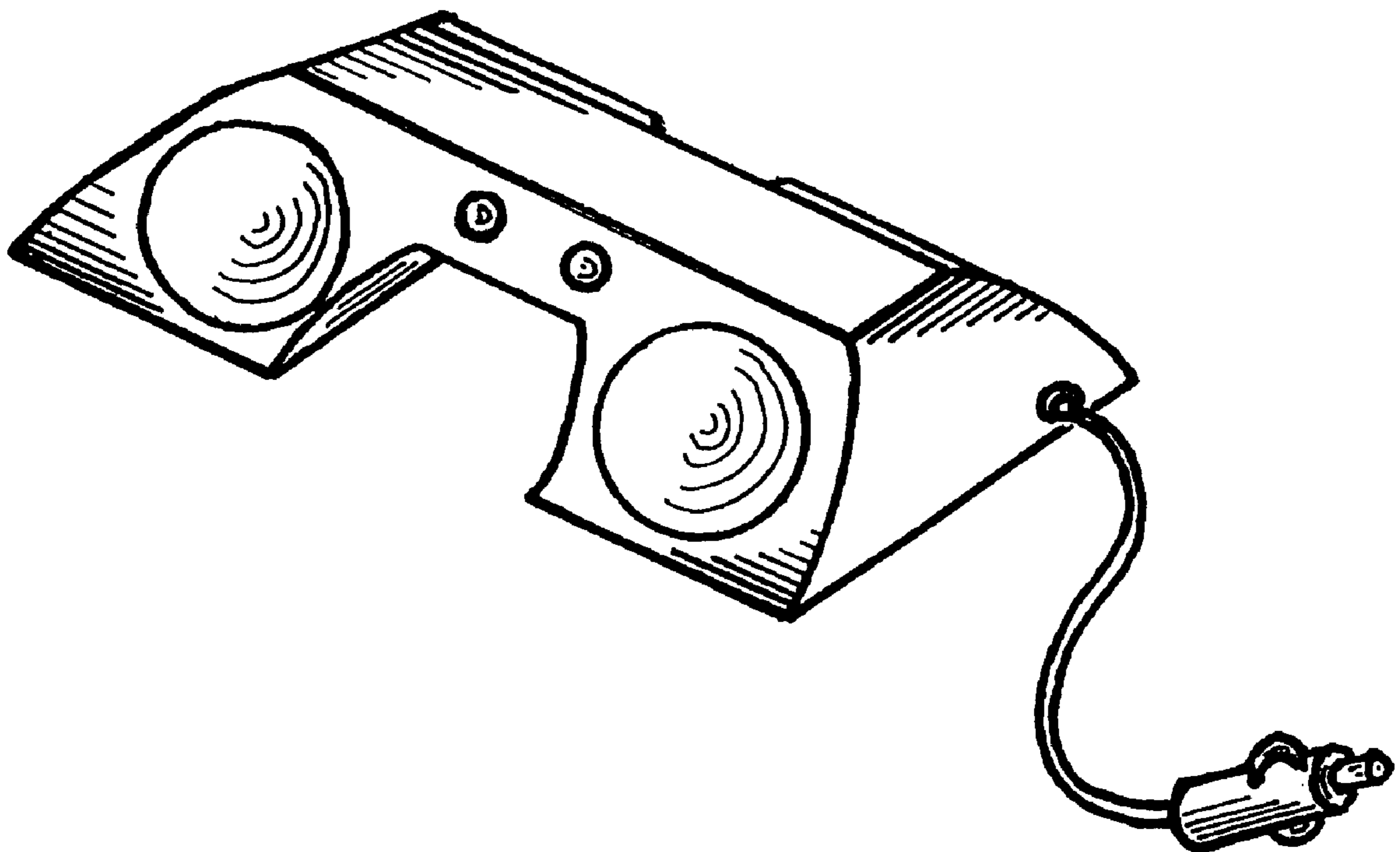
FIG. 5 is a perspective view thereof.

D. 118,312 * 12/1939 Pope D26/30

D. 331,980 * 12/1992 Henderson D26/31

* cited by examiner

1 Claim, 1 Drawing Sheet



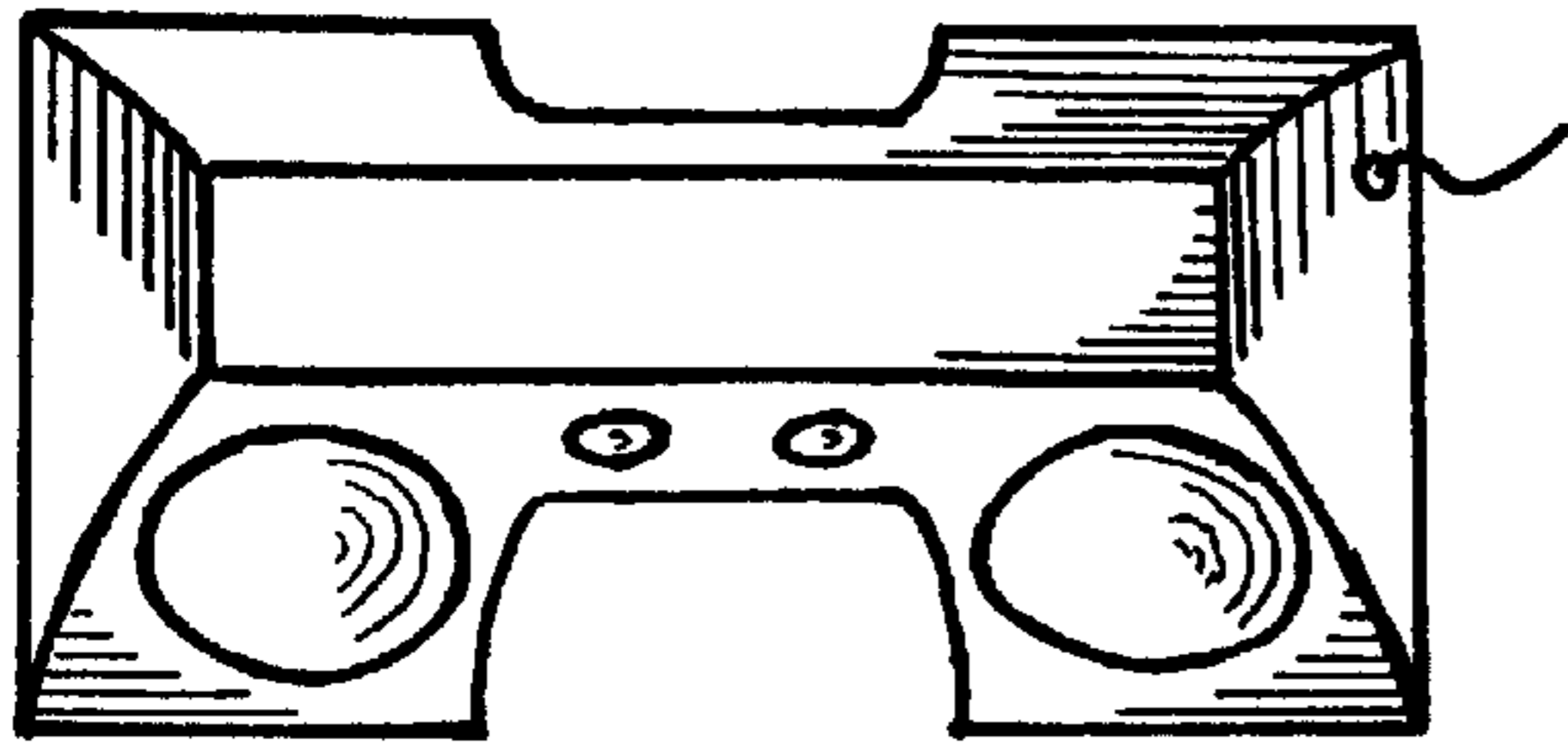


FIG. 1



FIG. 2



FIG. 3



FIG. 4

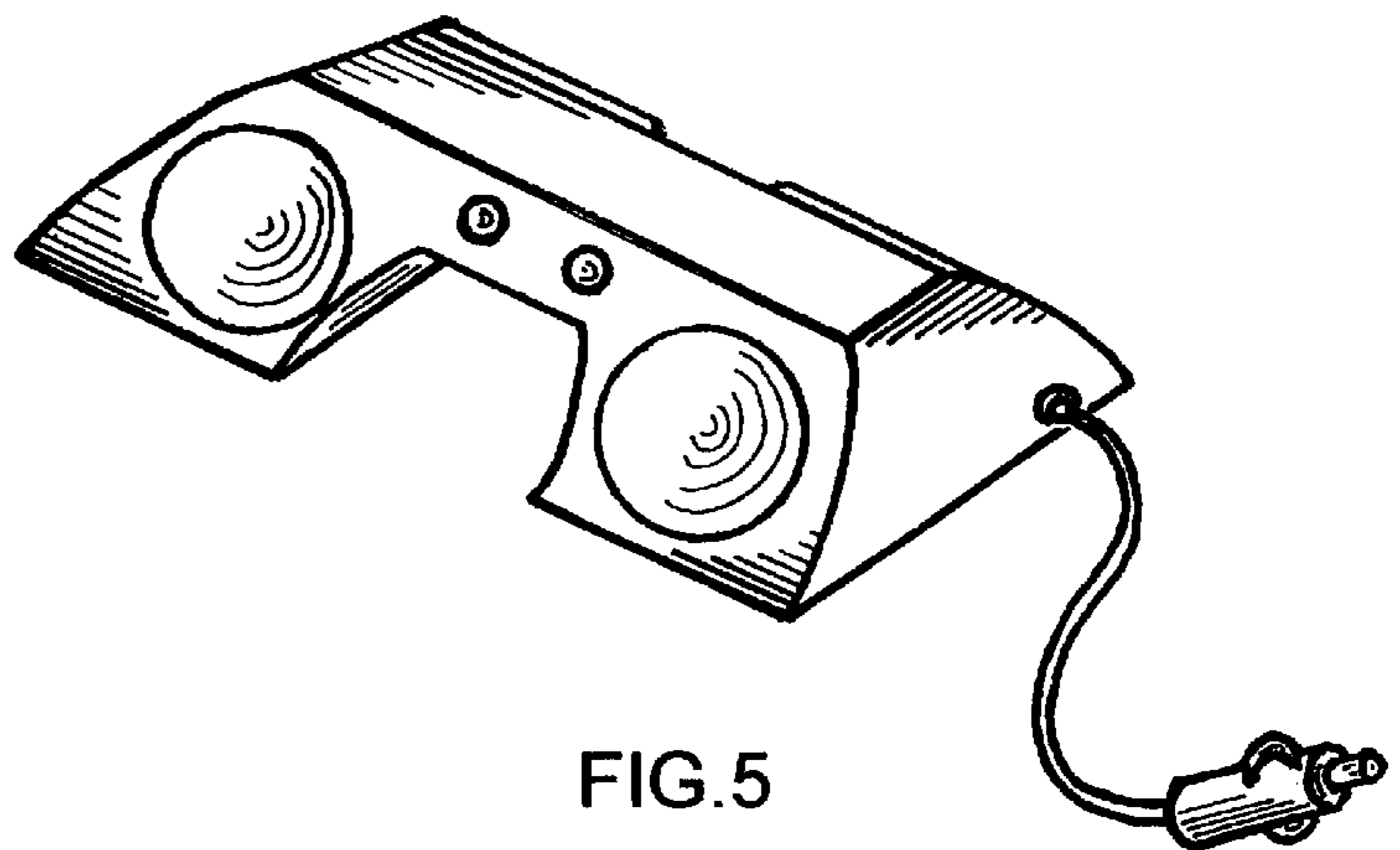


FIG. 5