



US00D450391B1

(12) **United States Design Patent**
Hunt et al.

(10) **Patent No.:** **US D450,391 S**

(45) **Date of Patent:** **** Nov. 13, 2001**

(54) **MEDICAL INSTRUMENT TRAY**

5,318,543 * 6/1994 Ross et al. 206/571 X

5,392,918 2/1995 Harrison 206/571

5,526,928 * 6/1996 Yabe et al. 206/363 X

(75) Inventors: **Ilyssa A. Hunt**, Tyngsboro; **Jack W. Curran**, Concord; **Charles W. Kellstedt**; **Joel M. Lieblein**, both of Sudbury, all of MA (US)

FOREIGN PATENT DOCUMENTS

2 633 178 6/1988 (FR) .

(73) Assignee: **Arrow International, Inc.**, Reading, PA (US)

* cited by examiner

(**) Term: **14 Years**

Primary Examiner—Louis S. Zarfes

Assistant Examiner—I Simmons

(21) Appl. No.: **29/041,918**

(74) *Attorney, Agent, or Firm*—Wolf, Greenfield & Sacks, P.C.

(22) Filed: **Jul. 7, 1995**

(57) **CLAIM**

(51) **LOC (7) Cl.** **24-02**

The ornamental design for a medical instrument tray, as shown and described.

(52) **U.S. Cl.** **D24/227; D24/229**

DESCRIPTION

(58) **Field of Search** D24/227, 229, D24/230; 206/571, 570, 557, 365, 363, 364, 370, 366

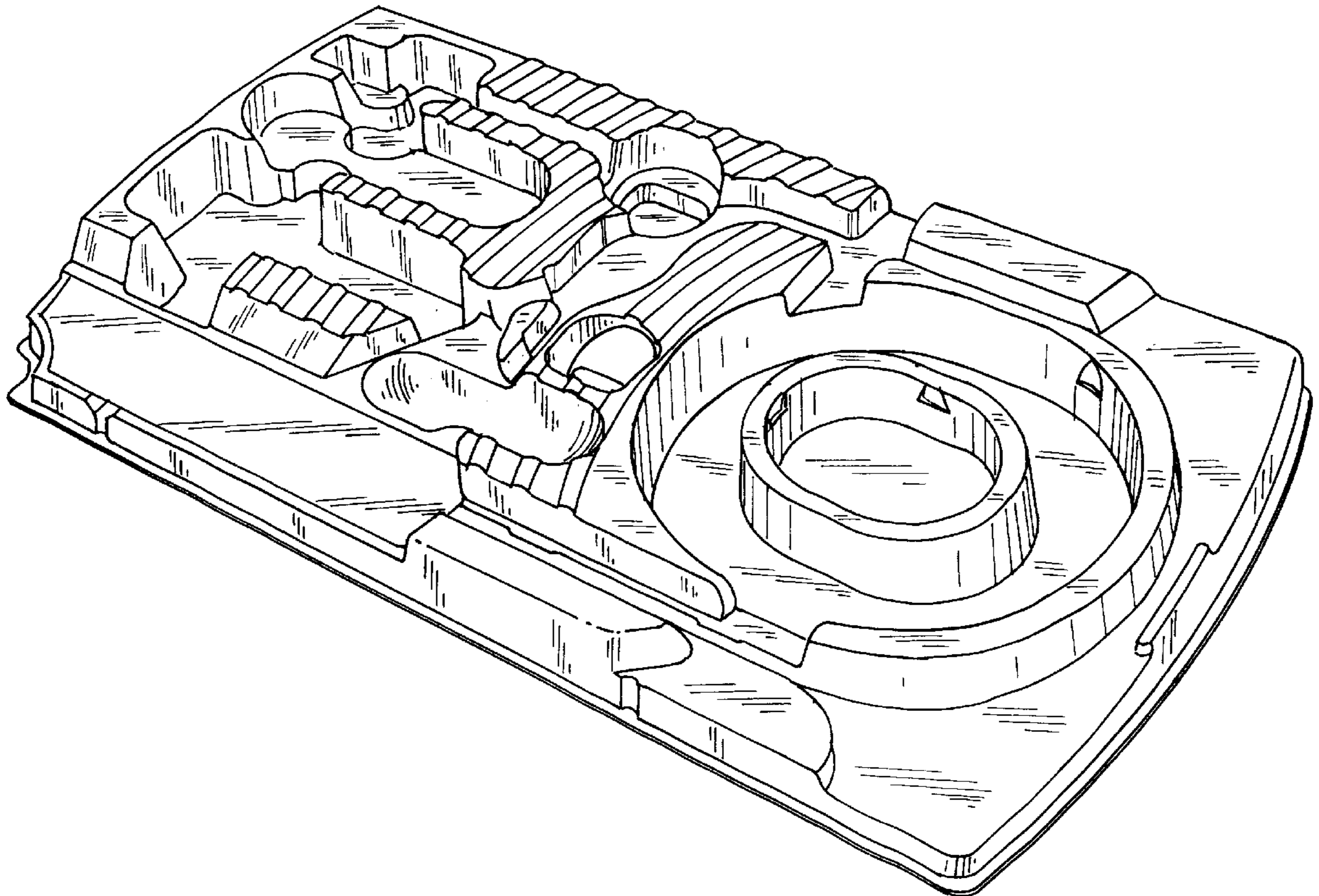
FIG. 1 is a perspective view from the top and two sides; FIG. 2 is a top plan view; FIG. 3 is a side elevational view from bottom to top of FIG. 2; FIG. 4 is a side elevational view from left to right of FIG. 2; FIG. 5 is a side elevational view opposite that shown in FIG. 4; FIG. 6 is a side elevational view opposite that shown in FIG. 3; and, FIG. 7 is a bottom plan view.

(56) **References Cited**

U.S. PATENT DOCUMENTS

D. 202,013	*	8/1965	Hamilton	D24/229
3,851,649		12/1974	Villari	128/275
4,216,860	*	8/1980	Heimann	206/370
4,266,669	*	5/1981	Watson	206/370 X
4,858,821		8/1989	Bickelhaupt	229/123.1
4,925,448		5/1990	Bazzaral	604/171
5,031,775		7/1991	Kane	206/571
5,178,267	*	1/1993	Grabenkort et al.	206/570 X

1 Claim, 4 Drawing Sheets



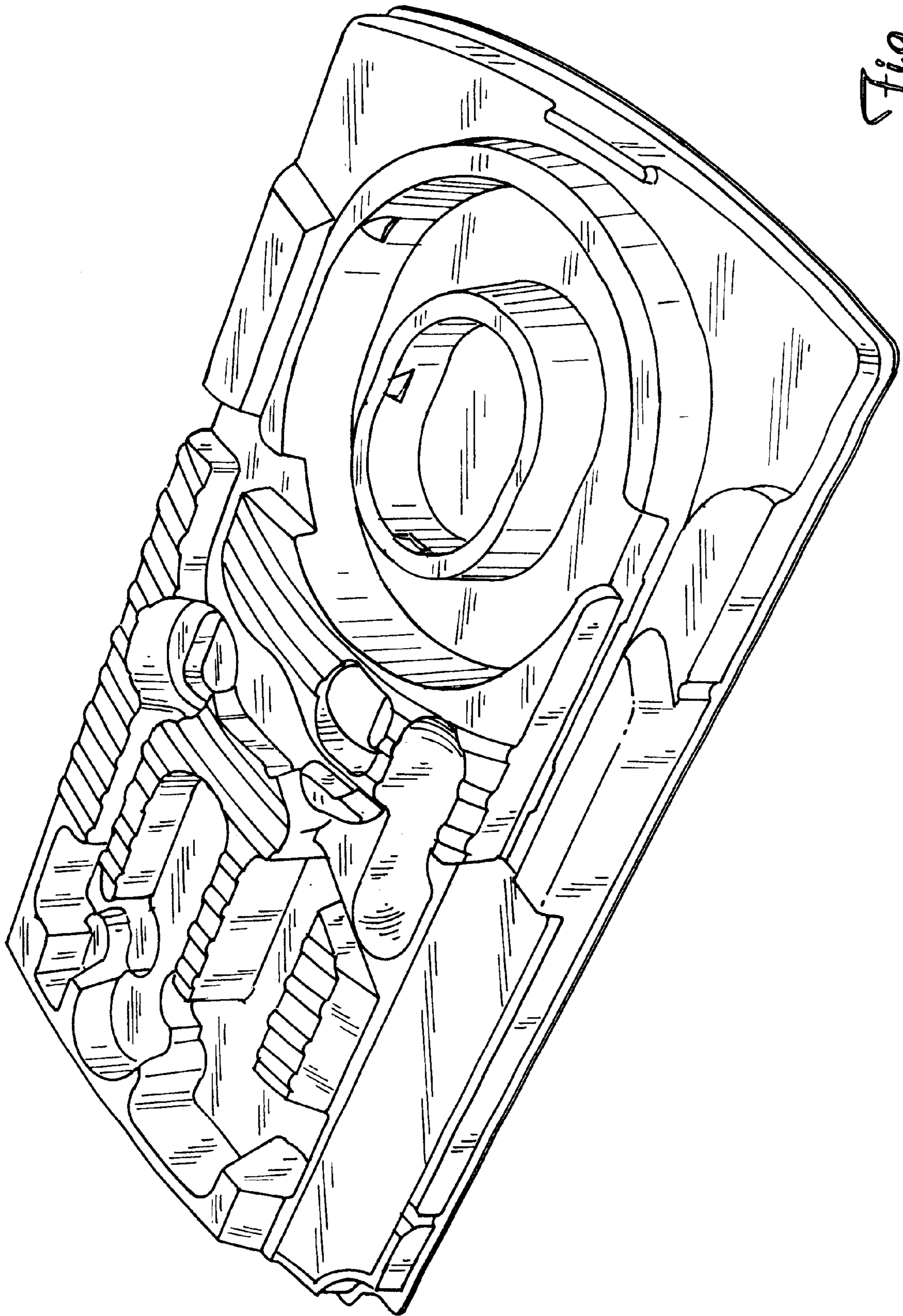


Fig 1

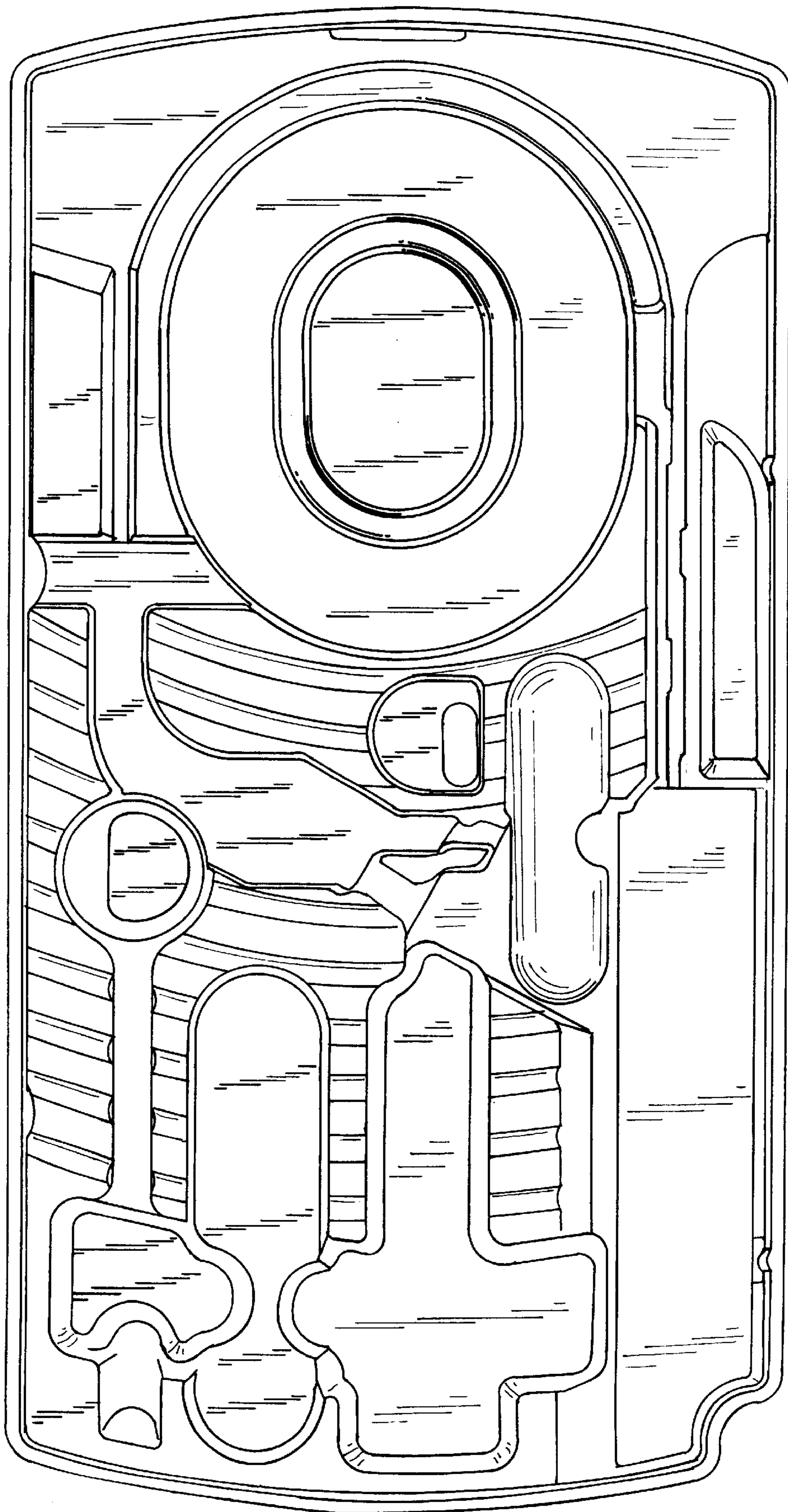


Fig 2

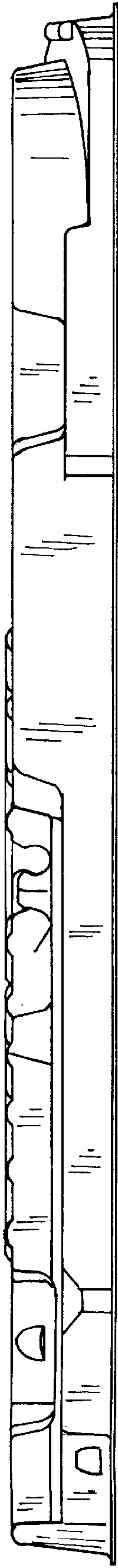


Fig. 3

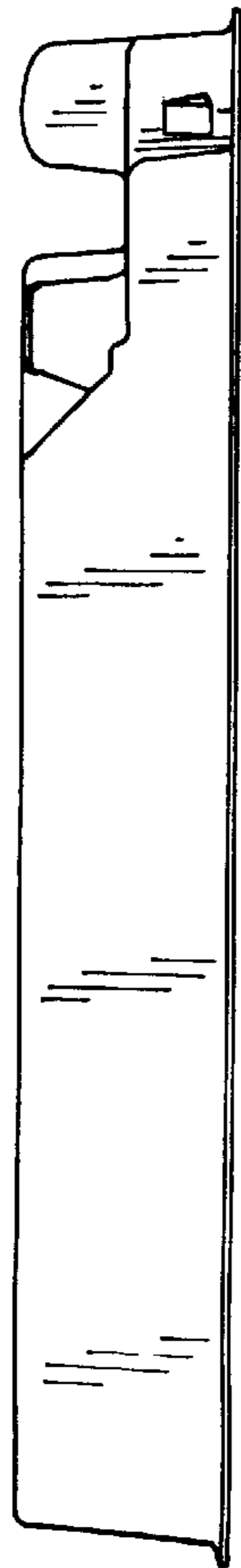


Fig. 4

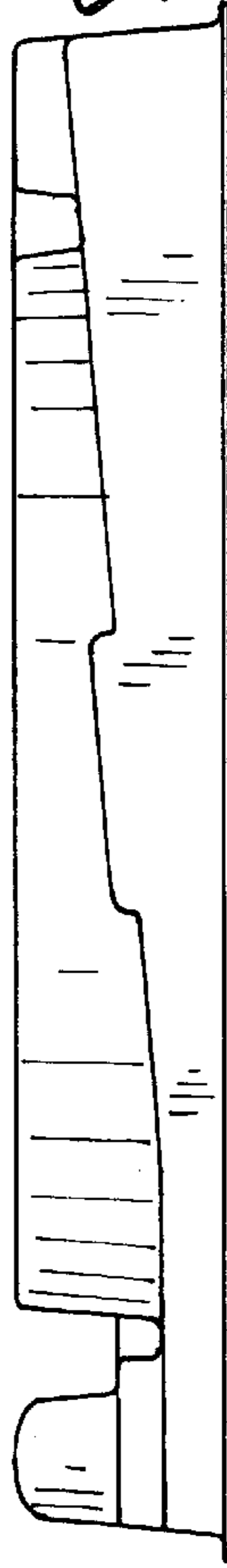


Fig. 5



Fig. 6

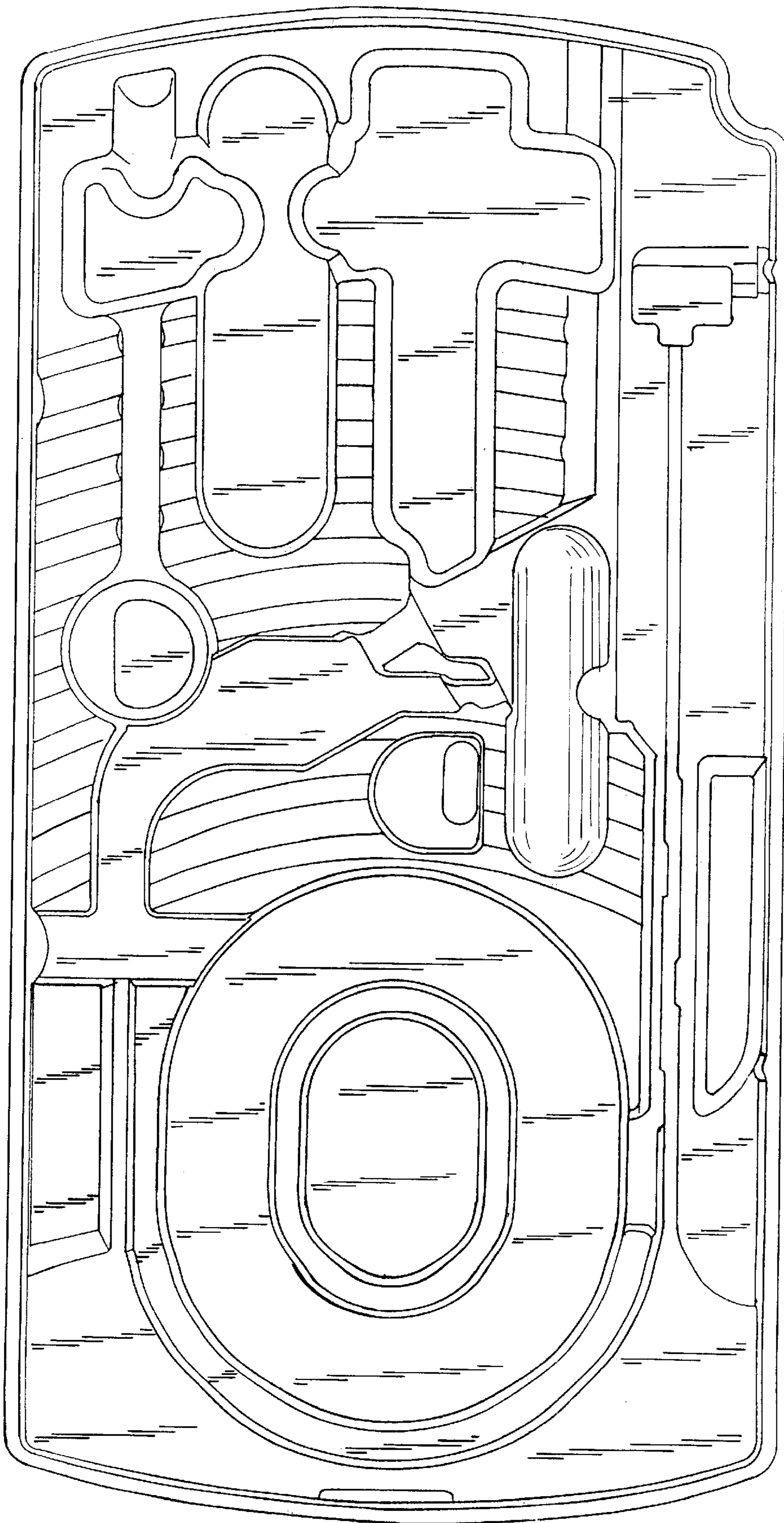


Fig. 7