



US00D450386B1

(12) **United States Design Patent**
Wang et al.

(10) **Patent No.:** **US D450,386 S**

(45) **Date of Patent:** **** Nov. 13, 2001**

(54) **CURING MACHINE**

(76) Inventors: **Wen-Haq Wang; Shu-Lung Wang**,
both of 6F, No. 70, Sec. 1, Kuang-Fu
Rd., San-Chung City, Taipei Hsien
(TW)

(**) Term: **14 Years**

(21) Appl. No.: **29/127,178**

(22) Filed: **Aug. 2, 2000**

(51) **LOC (7) Cl.** **24-02**

(52) **U.S. Cl.** **D24/176**

(58) **Field of Search** D24/176, 231;
433/29; 422/186.2; 250/504 H, 504 R

(56) **References Cited**

U.S. PATENT DOCUMENTS

- D. 335,539 * 5/1993 Hakamatsuka et al. D24/176
- D. 428,152 * 7/2000 Nagel D24/176
- 4,450,139 * 5/1984 Bussiere et al. 422/186.2

* cited by examiner

Primary Examiner—Terry A. Wallace
(74) *Attorney, Agent, or Firm*—Bacon & Thomas

(57) **CLAIM**

The ornamental design for curing machine, as shown.

DESCRIPTION

FIG. 1 is a perspective view of a curing machine showing our new design thereof;

FIG. 2 is a right side elevational view thereof;

FIG. 3 is a top plan view thereof;

FIG. 4 is a front side elevational view thereof;

FIG. 5 is a bottom plan view thereof;

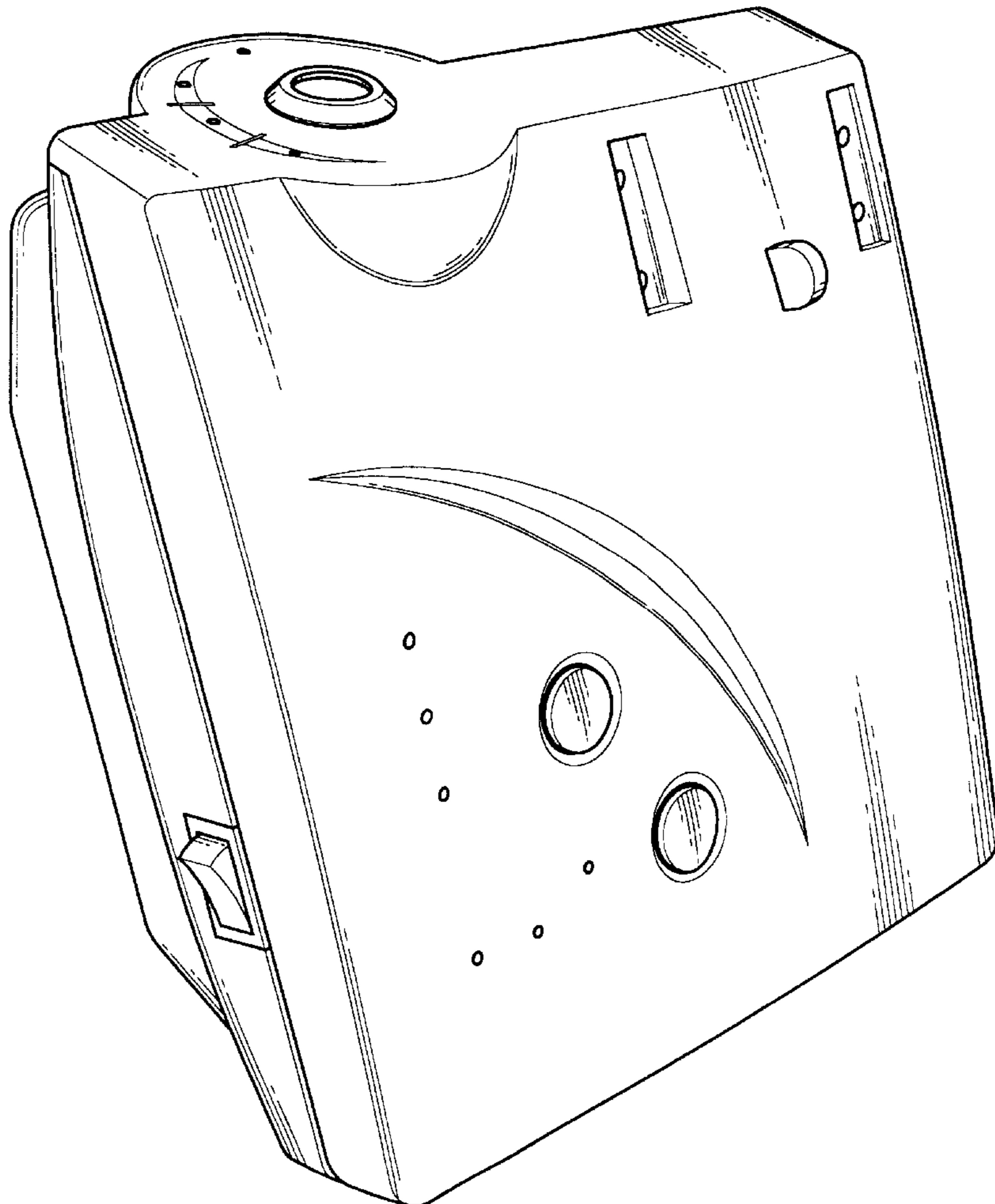
FIG. 6 is a left side elevational view thereof;

FIG. 7 is a rear side elevational view thereof; and,

FIG. 8 is a perspective view thereof shown in using position.

The broken lines are for illustrative purposes only and form no part of the claimed design.

1 Claim, 8 Drawing Sheets



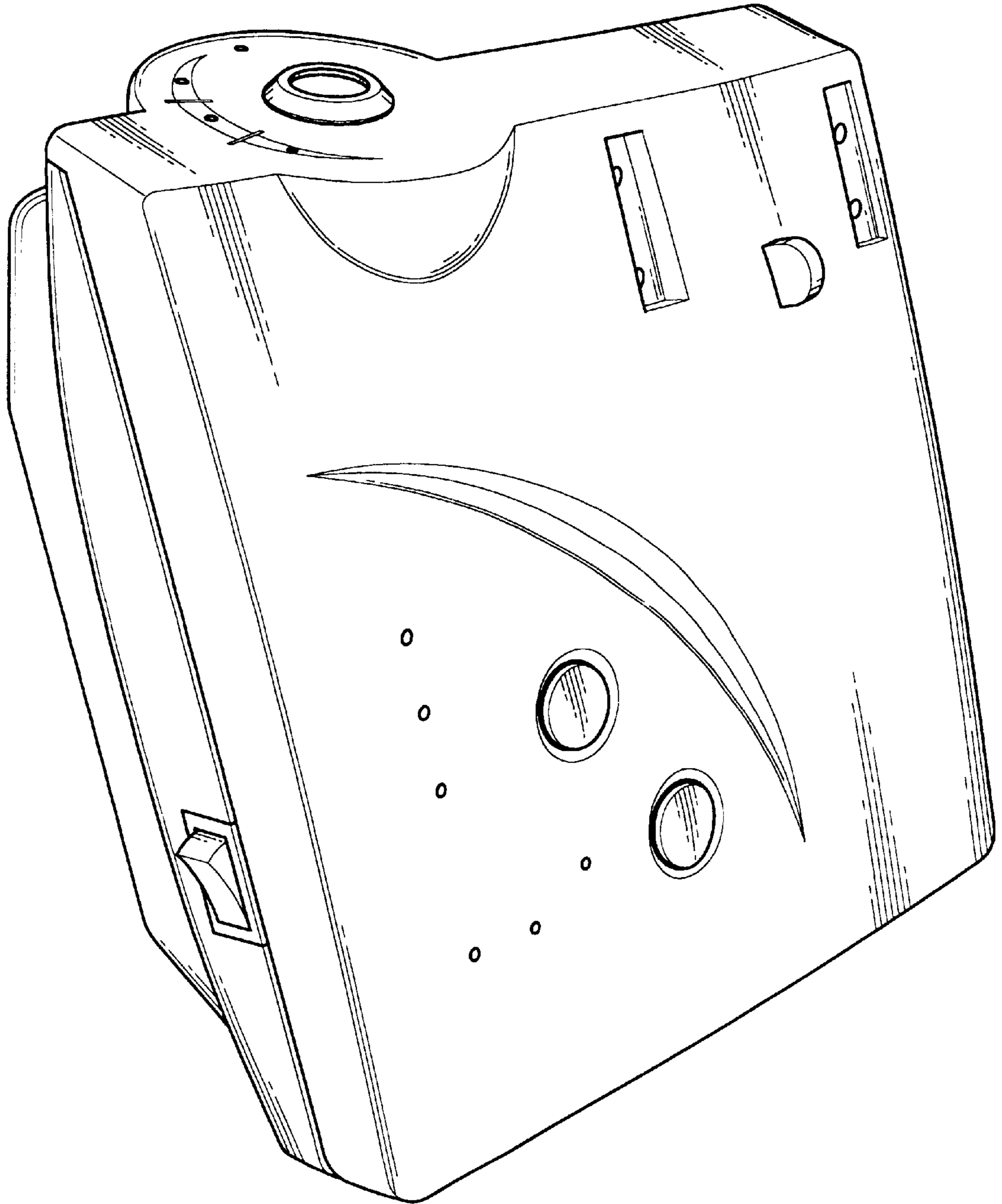


Fig. 1

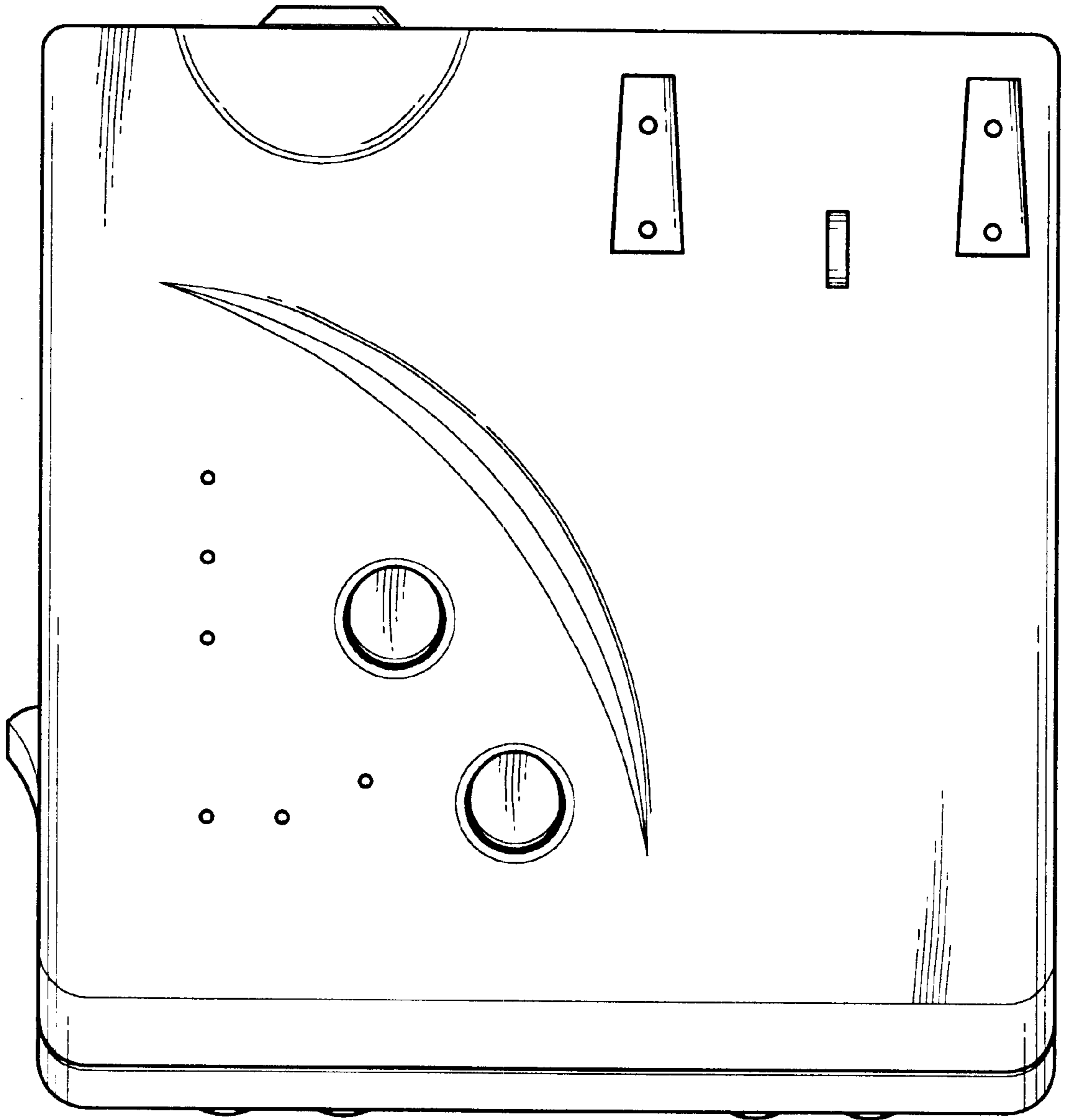


Fig. 2

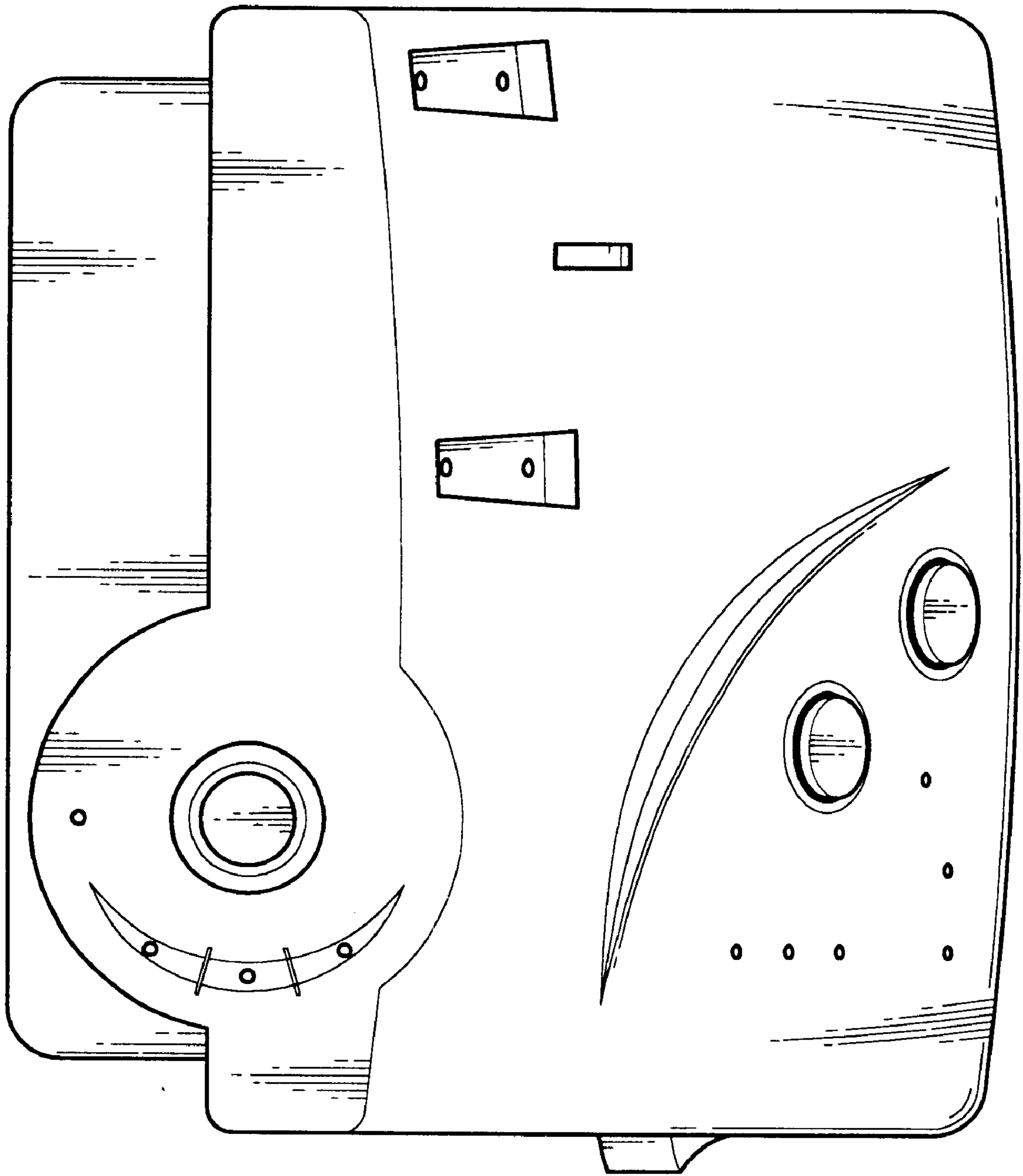


Fig. 3

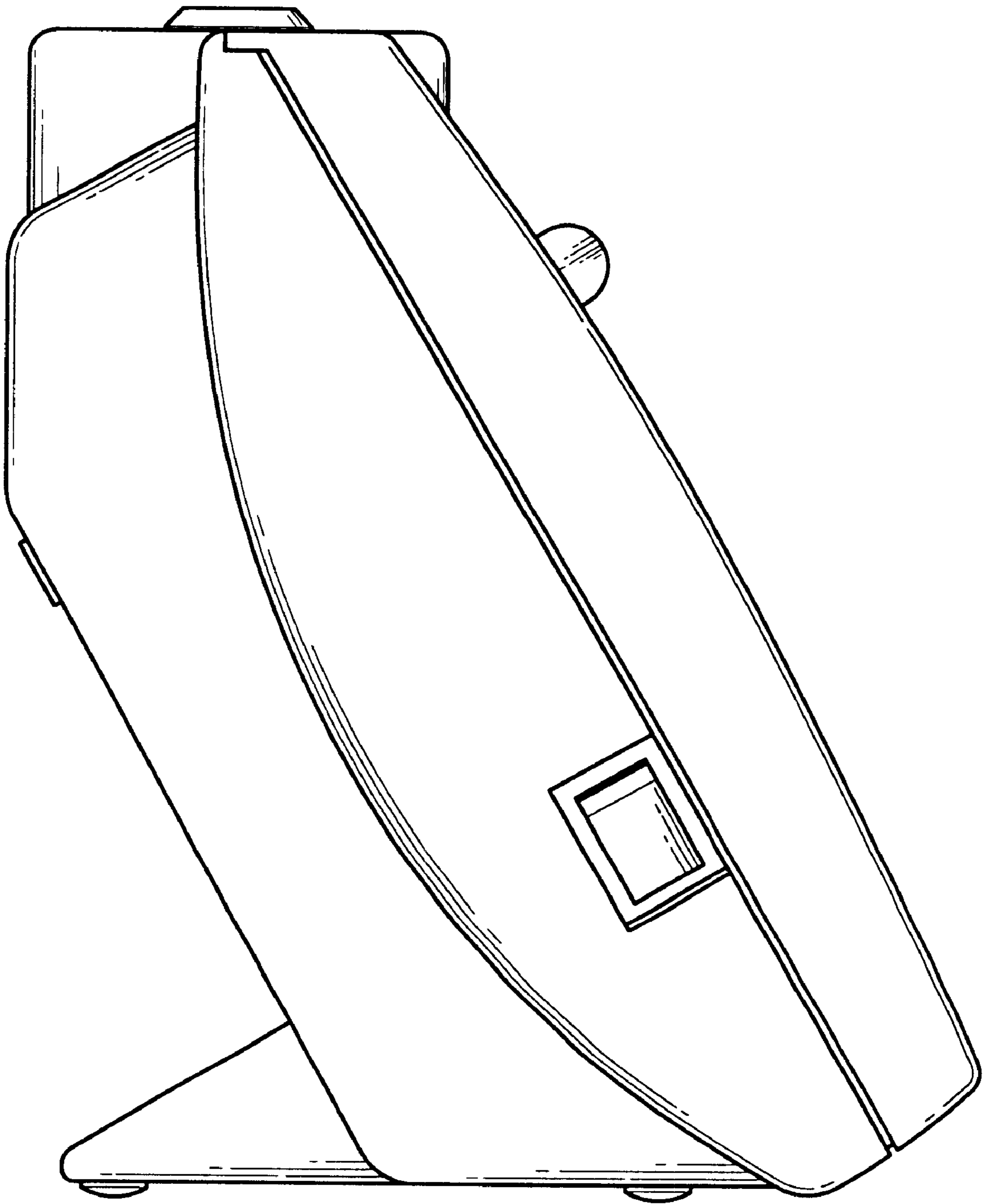


Fig. 4

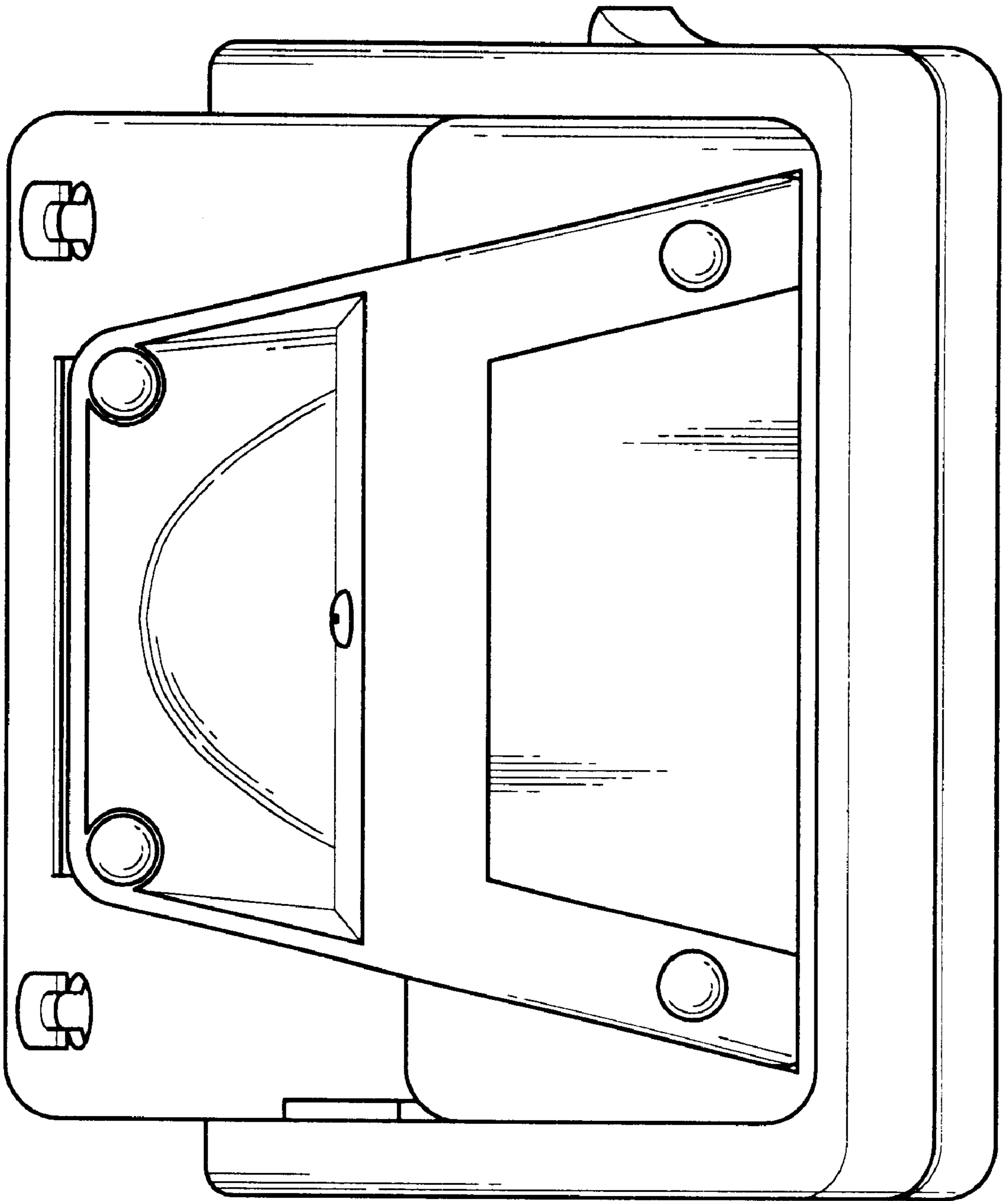


Fig. 5

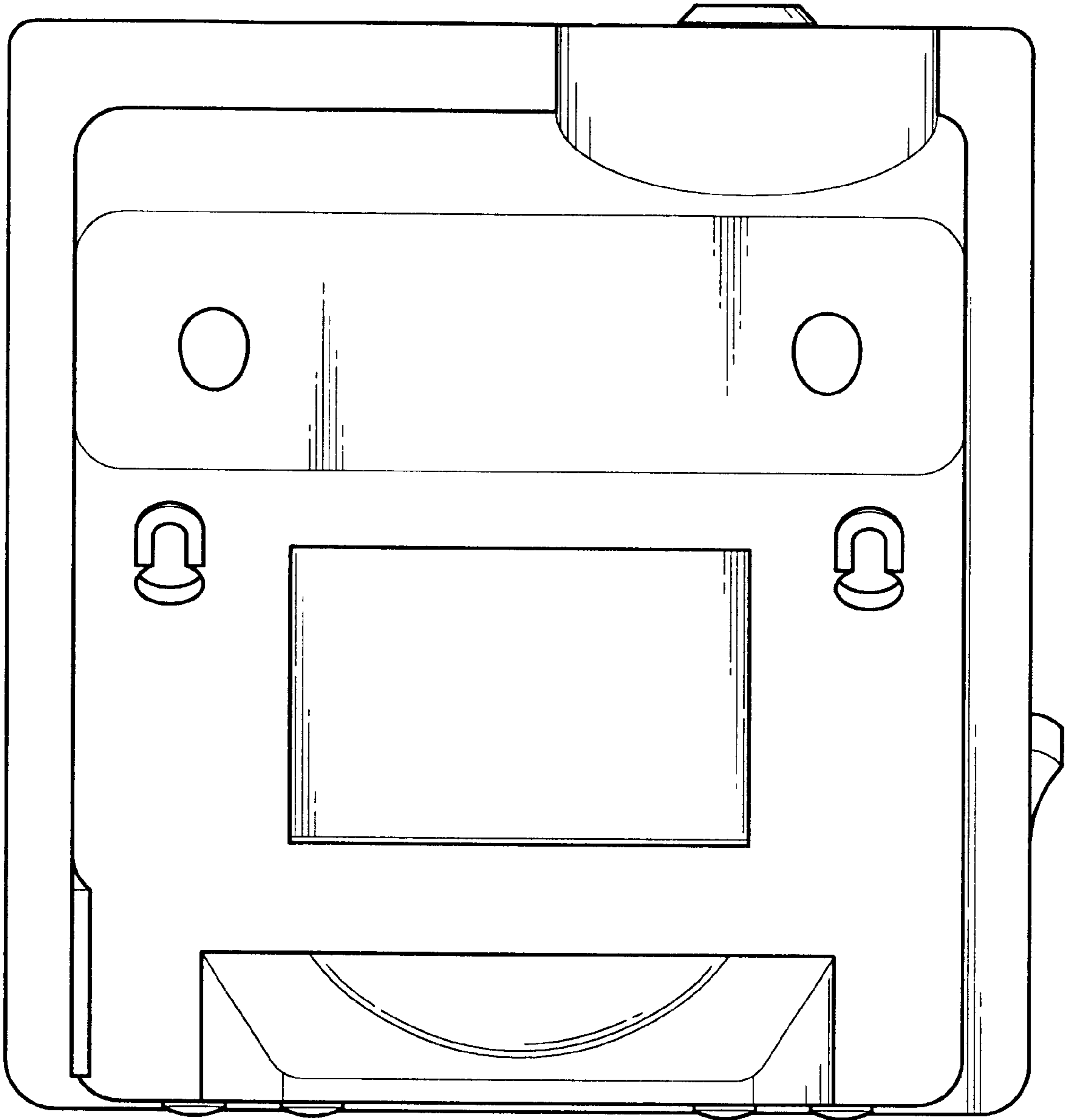


Fig. 6

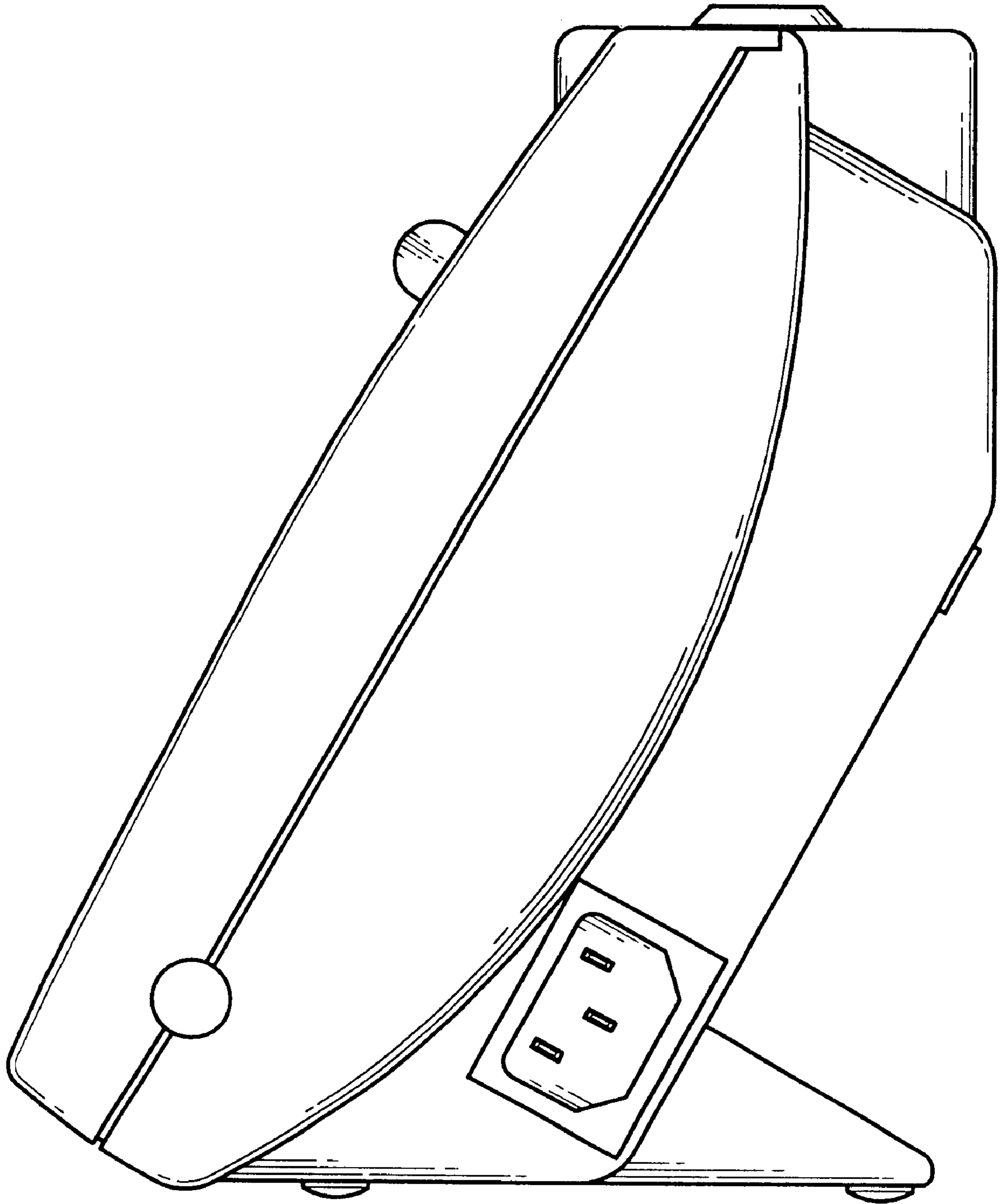


Fig. 7

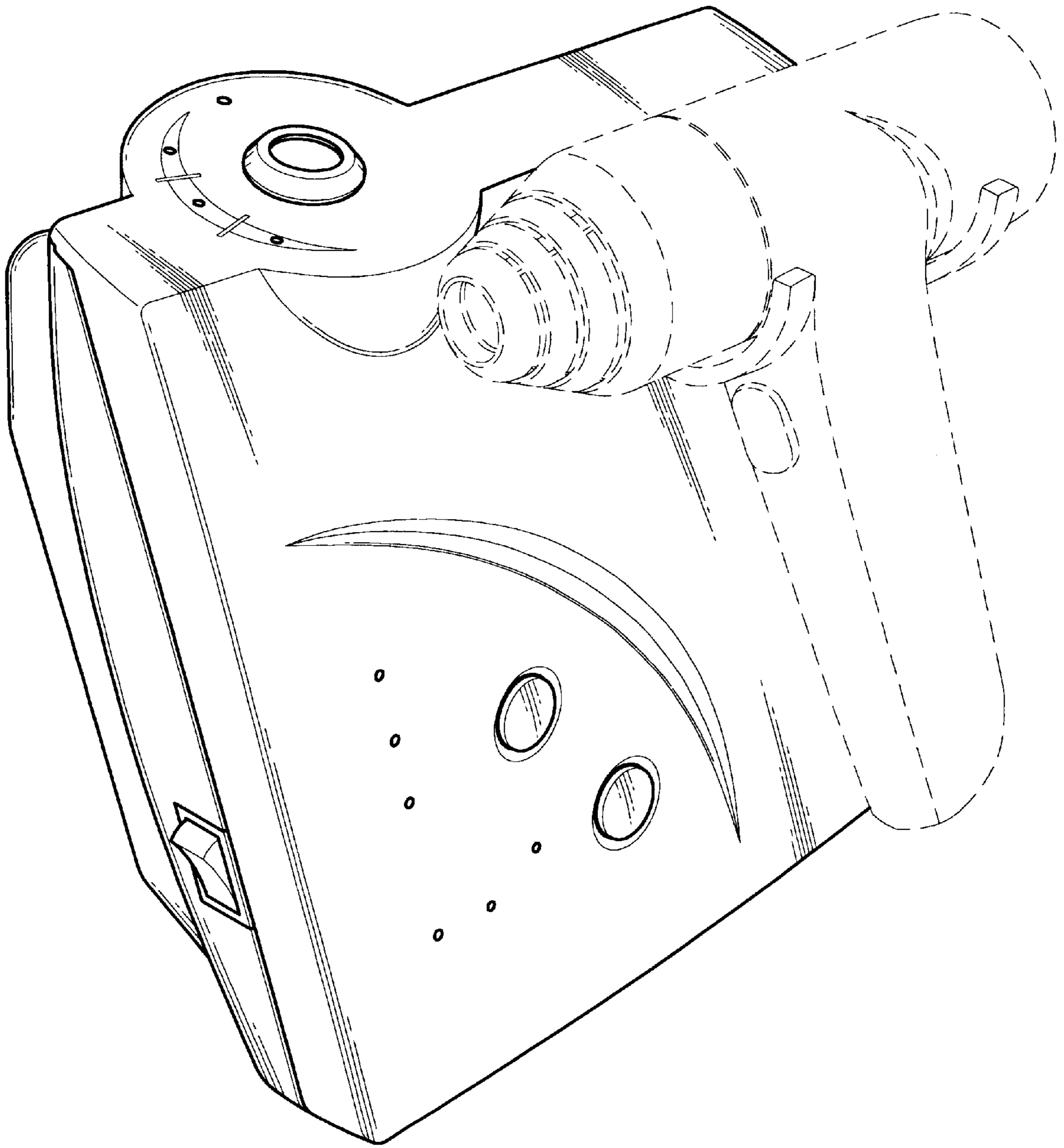


Fig. 8