



US00D450383B1

(12) **United States Design Patent**
Mann

(10) **Patent No.:** **US D450,383 S**

(45) **Date of Patent:** **** Nov. 13, 2001**

(54) **EAR PIERCING CARTRIDGE**
(75) Inventor: **Samuel J. Mann**, Englewood, NJ (US)
(73) Assignee: **Cookson Group PLC** (GB)
(**) Term: **14 Years**

5,868,774 2/1999 Reil .
5,913,869 * 6/1999 Reil 606/188
6,048,355 4/2000 Mann et al. .
6,074,406 * 6/2000 Mann 606/188
6,099,545 8/2000 Mann et al. .

FOREIGN PATENT DOCUMENTS

2187960 9/1987 (GB) .

* cited by examiner

Primary Examiner—Ian Simmons

(74) *Attorney, Agent, or Firm*—Weingram & Associates, PC

(21) Appl. No.: **29/121,965**
(22) Filed: **Apr. 18, 2000**
(51) **LOC (7) Cl.** **24-02**
(52) **U.S. Cl.** **D24/146**
(58) **Field of Search** D24/146, 143;
606/188

(57) **CLAIM**

The ornamental design for ear piercing cartridge, as shown and described.

(56) **References Cited**

U.S. PATENT DOCUMENTS

D. 366,316 * 1/1996 Reil D24/146
D. 424,695 * 5/2000 Reil D24/146
D. 428,149 * 7/2000 Mann D24/146
D. 430,933 * 9/2000 Reil D24/146
4,030,507 6/1977 Mann .
4,860,747 8/1989 Sciara .
5,004,471 4/1991 Mann .
5,007,918 4/1991 Mann .
5,211,653 5/1993 Nakajima .
5,263,960 11/1993 Mann .
5,350,394 9/1994 Mann .
5,389,105 2/1995 Mann .
5,441,514 * 8/1995 Durham 606/188
5,792,170 8/1998 Reil .

DESCRIPTION

FIG. 1 is a top perspective view of our new design for an ear piercing cartridge according to the present invention; FIG. 2 is a front view thereof; FIG. 3 is a rear view thereof; FIG. 4 is a left side view thereof, an opposite side view being a mirror image thereof; FIG. 5 is a top view thereof; and, FIG. 6 is a bottom view thereof. The broken line showing in FIGS. 1 through 5 are for illustrative purposes only and forms no part of the claimed design.

1 Claim, 2 Drawing Sheets

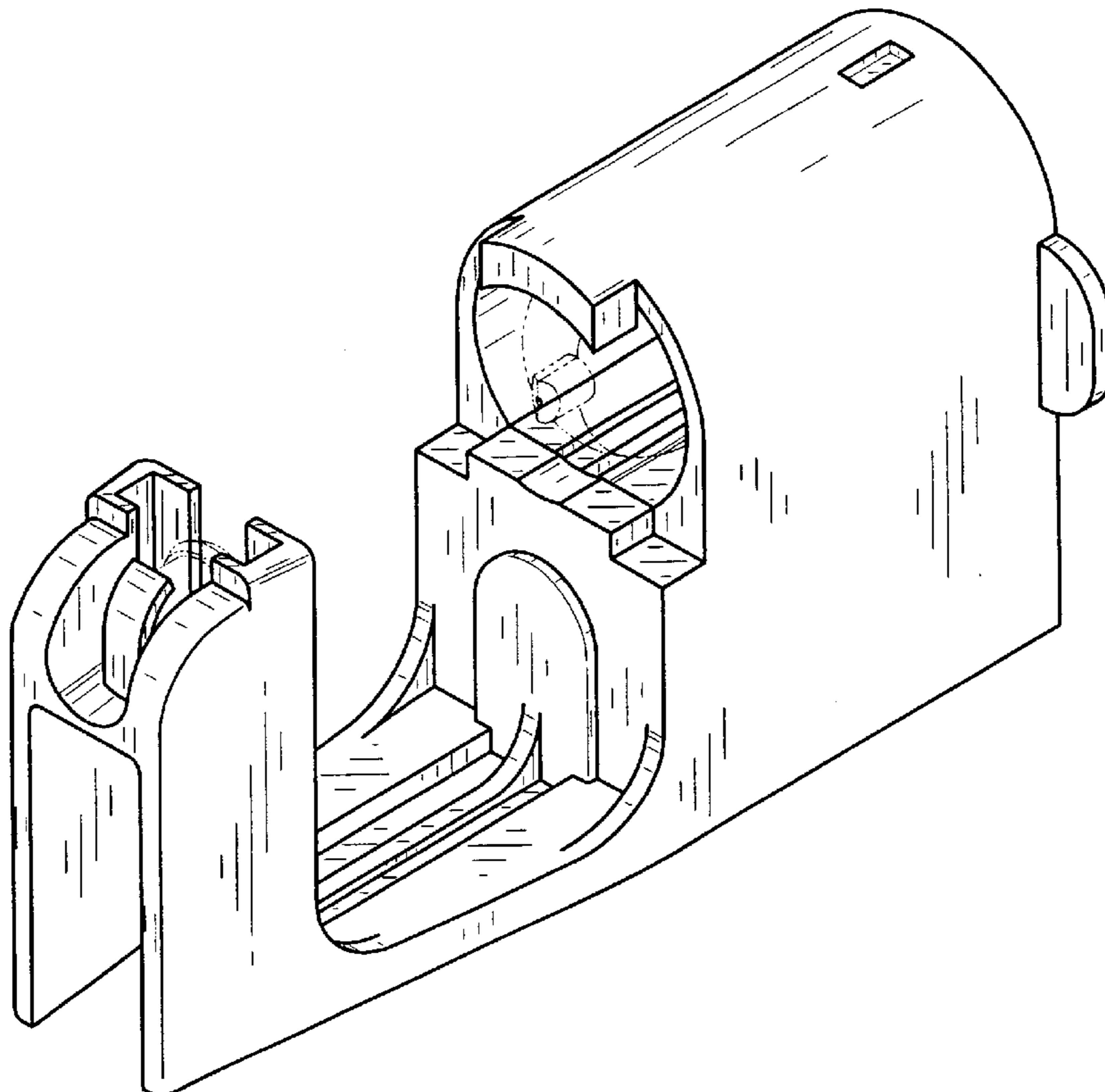


FIG. 1

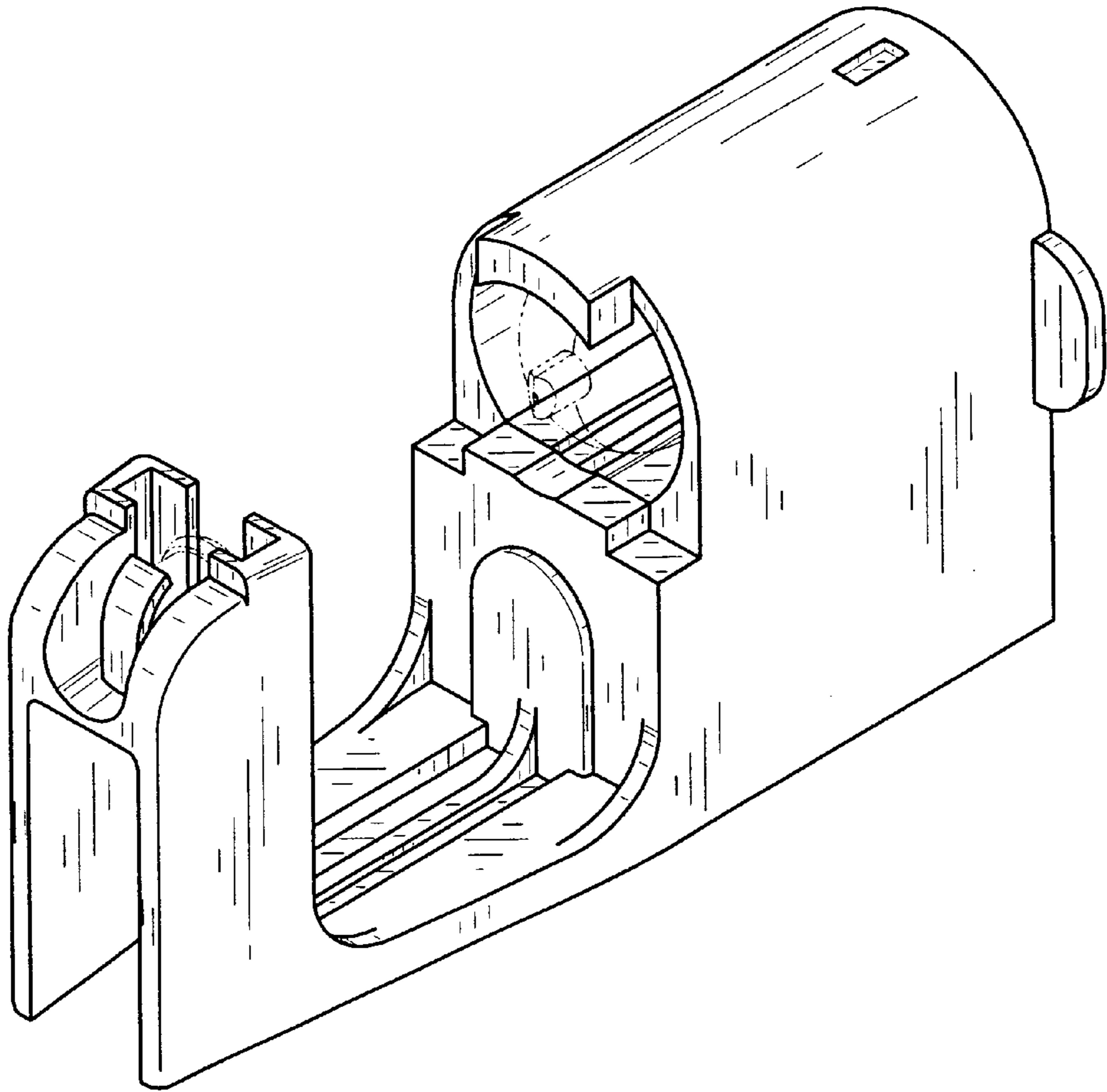


FIG. 2

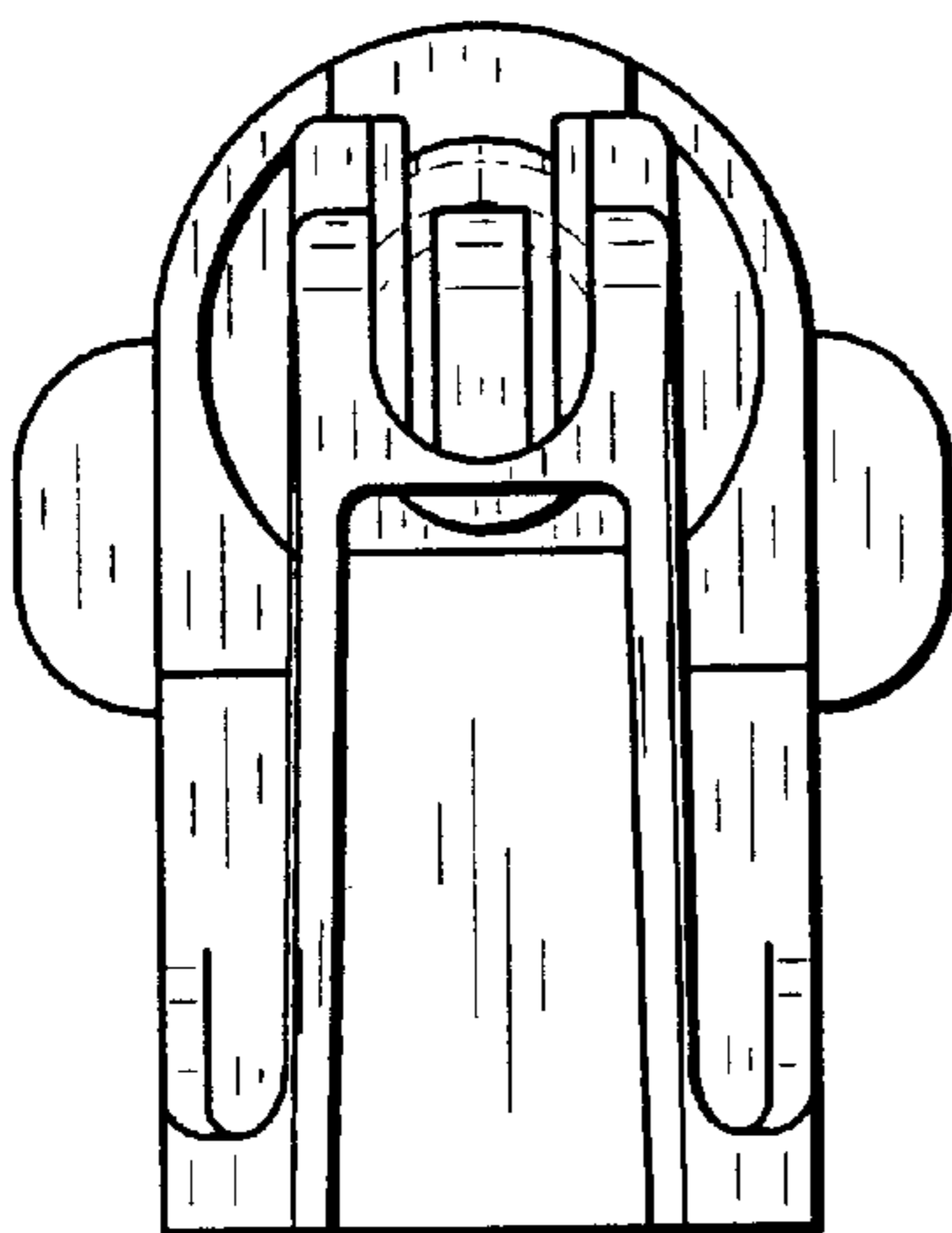


FIG. 3

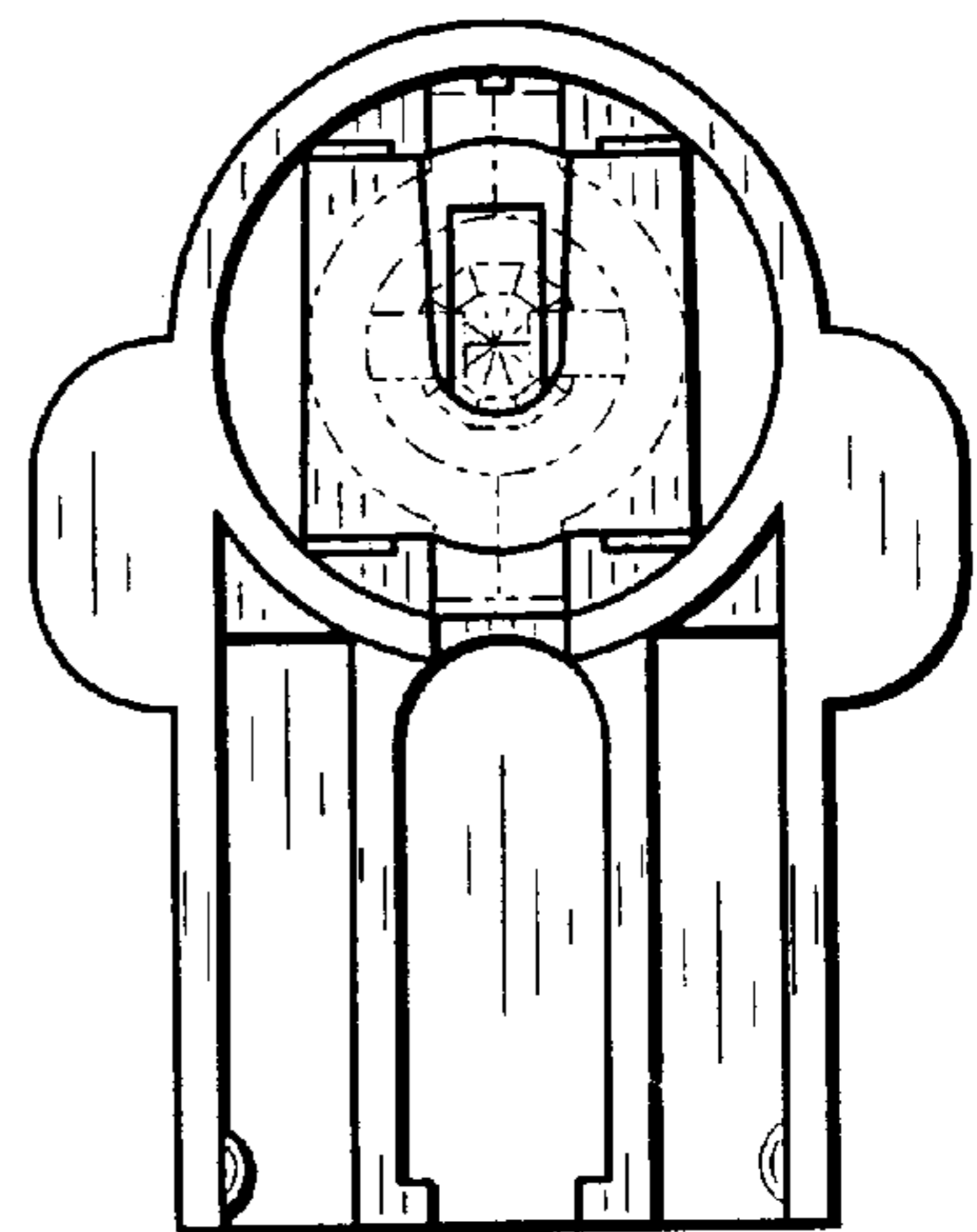


FIG. 4

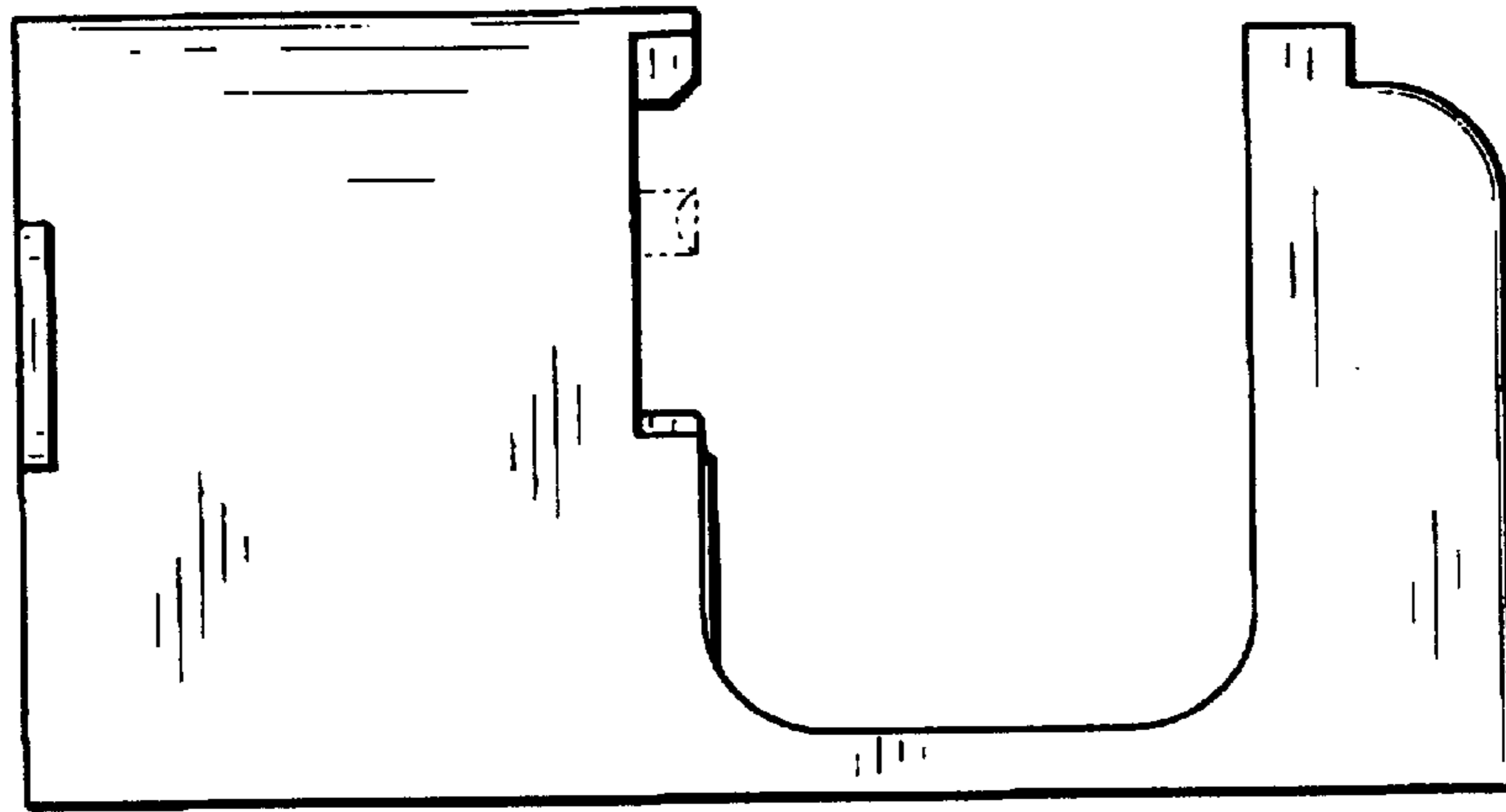


FIG. 5

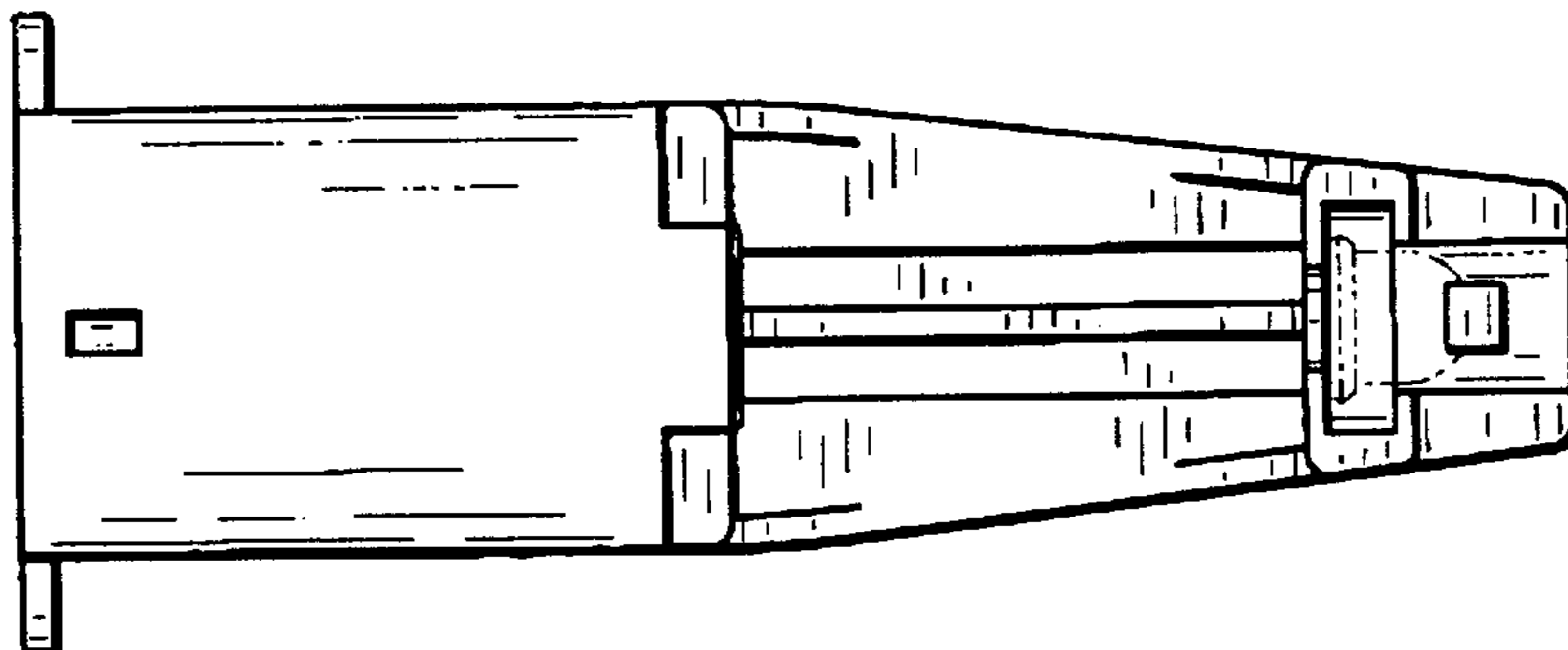


FIG. 6

