



US00D450379B1

(12) **United States Design Patent**  
**Strand et al.**

(10) **Patent No.:** **US D450,379 S**

(45) **Date of Patent:** **\*\* Nov. 13, 2001**

(54) **KITCHEN FAN**

D. 380,823 \* 7/1997 Lazar ..... D23/372

(75) Inventors: **Markus Strand**, Motala (SE);  
**Matthias Stahl**, Zirndorf (DE)

\* cited by examiner

*Primary Examiner*—Lisa Lichtenstein

(73) Assignee: **Aktiebolaget Electrolux**, Stockholm  
(SE)

(74) *Attorney, Agent, or Firm*—Pearne & Gordon LLP

(\*\*) Term: **14 Years**

(57) **CLAIM**

The ornamental design for a kitchen fan, as shown and described.

(21) Appl. No.: **29/124,702**

**DESCRIPTION**

(22) Filed: **Jun. 9, 2000**

FIG. 1 is a front bottom perspective view of a kitchen fan showing our new design with the bottom front panel in extended position;

(30) **Foreign Application Priority Data**

Dec. 14, 1999 (SE) ..... 99-2266

FIG. 2 is a front top perspective view thereof;

(51) **LOC (7) Cl.** ..... **23-04**

FIG. 3 is a top front perspective view with the front bottom panel in retracted position;

(52) **U.S. Cl.** ..... **D23/372**

FIG. 4 is a front view thereof;

(58) **Field of Search** ..... D23/72, 71; 126/299 R,  
126/299 D; D7/406

FIG. 5 is a rear view thereof;

(56) **References Cited**

FIG. 6 is a right hand side view of FIG. 1;

**U.S. PATENT DOCUMENTS**

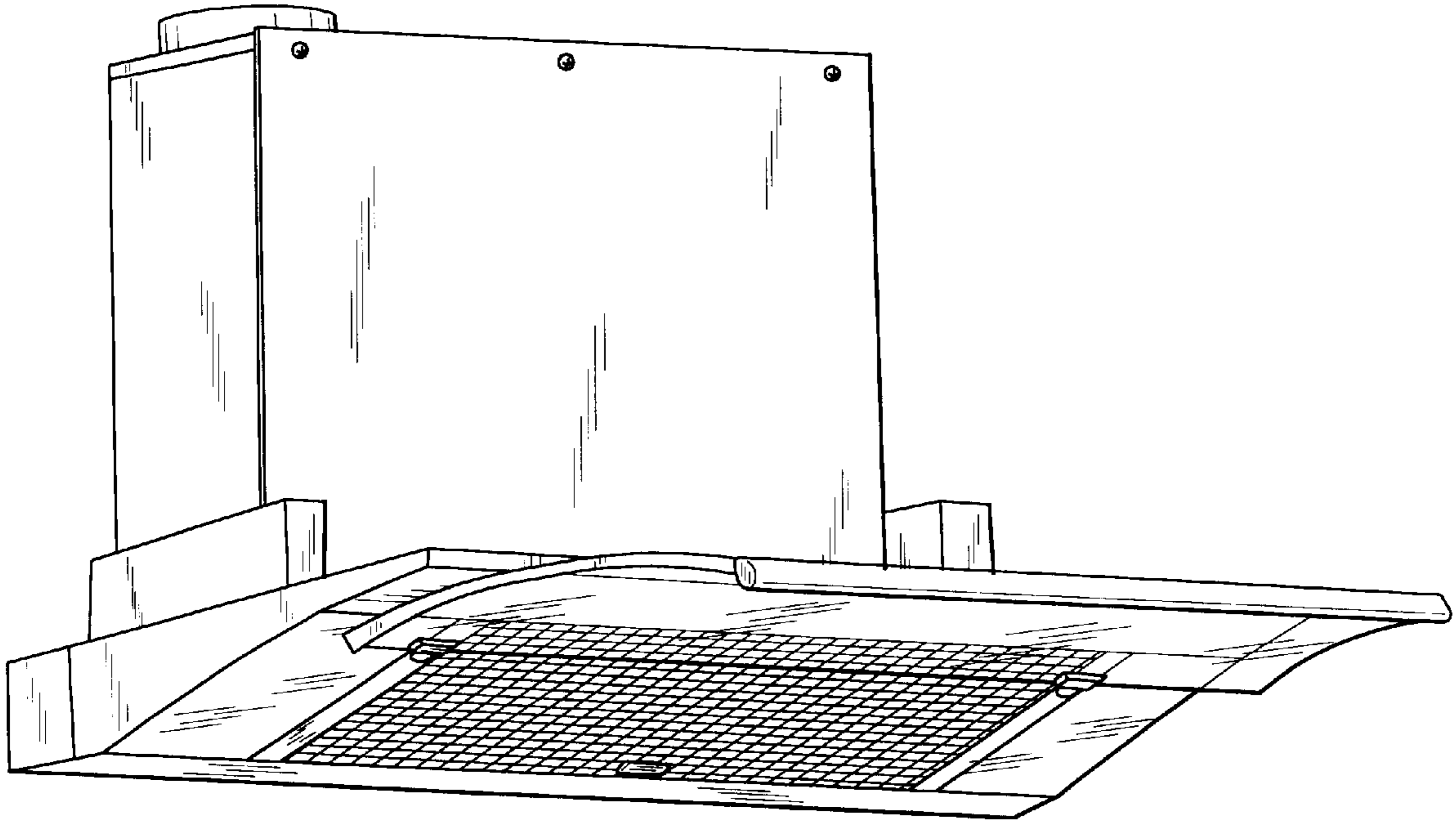
D. 231,615 \* 5/1974 Nygard ..... D23/372

FIG. 7 is a left hand side view of FIG. 1;

FIG. 8 is a bottom plan view of FIG. 1; and,

FIG. 9 is a top plan view of FIG. 1.

**1 Claim, 9 Drawing Sheets**



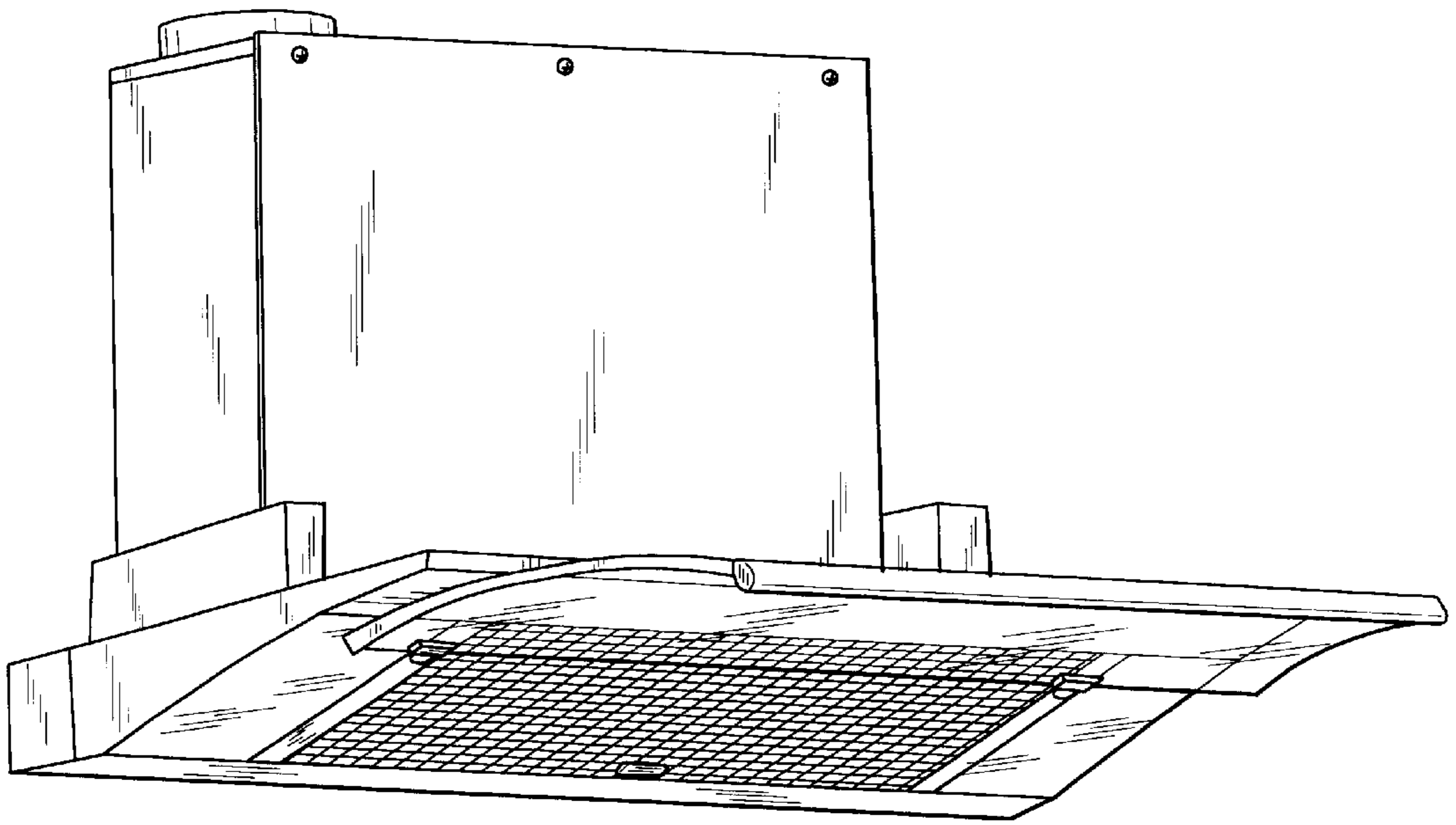


FIG. 1

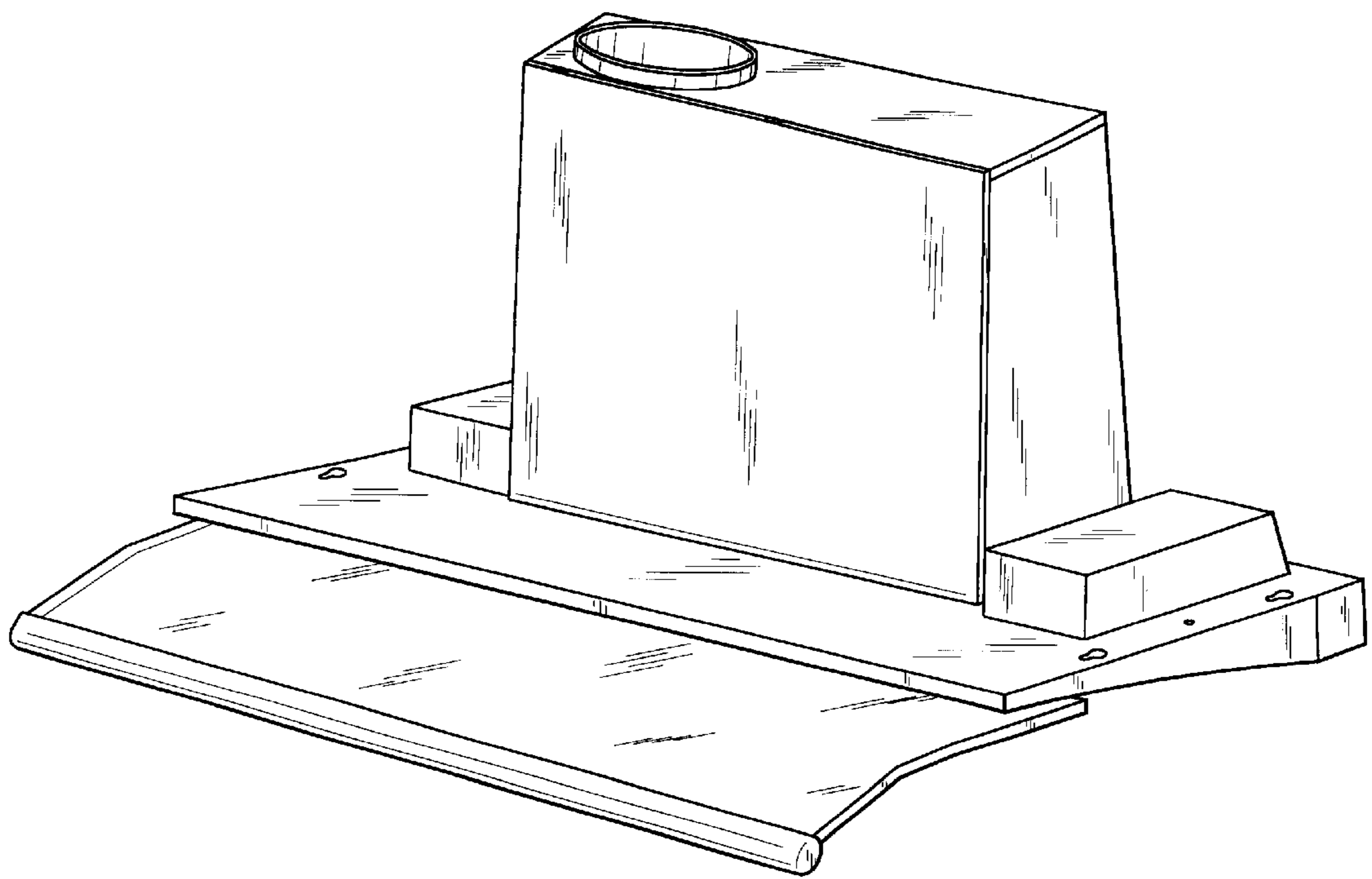


FIG. 2

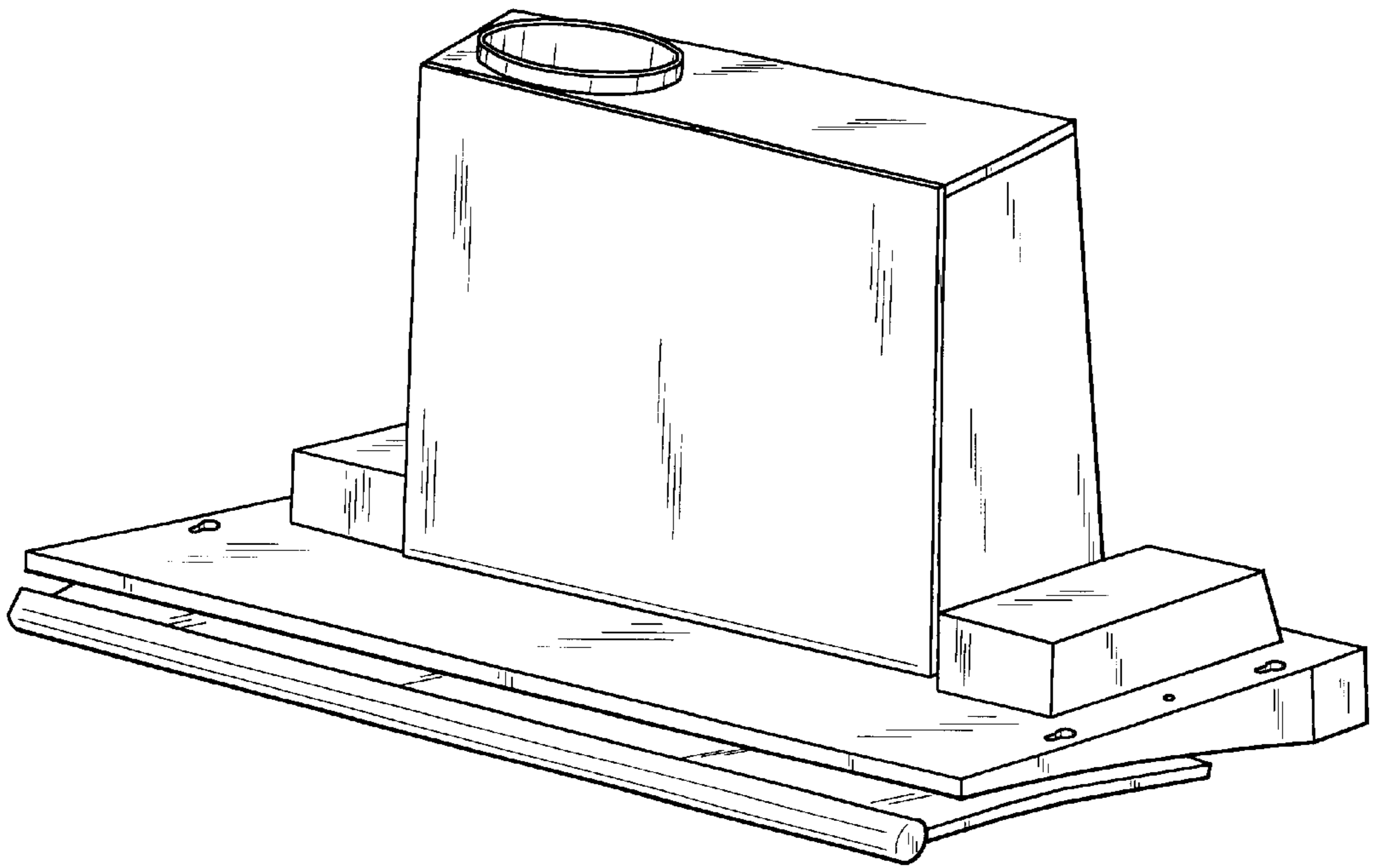


FIG. 3

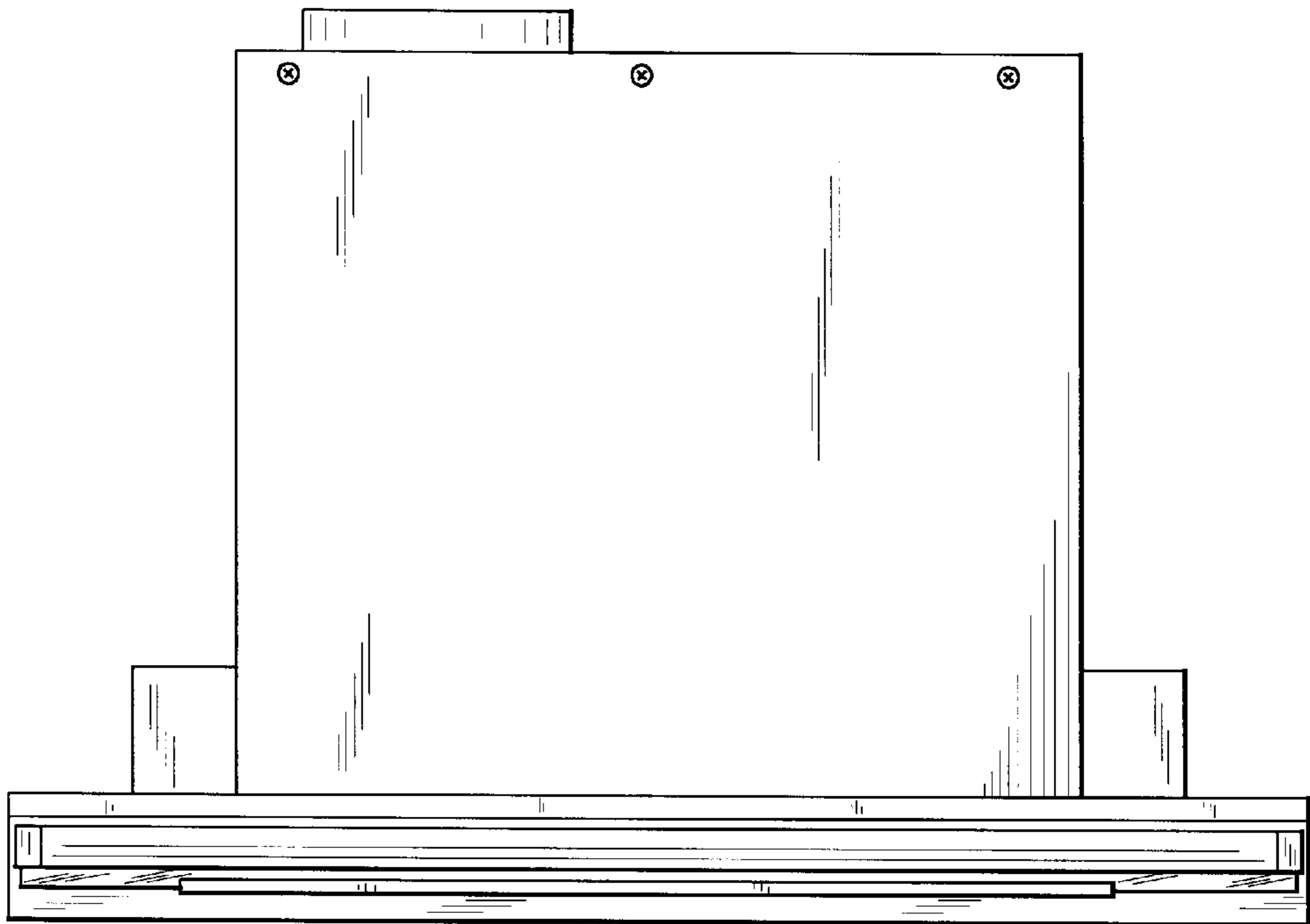


FIG. 4

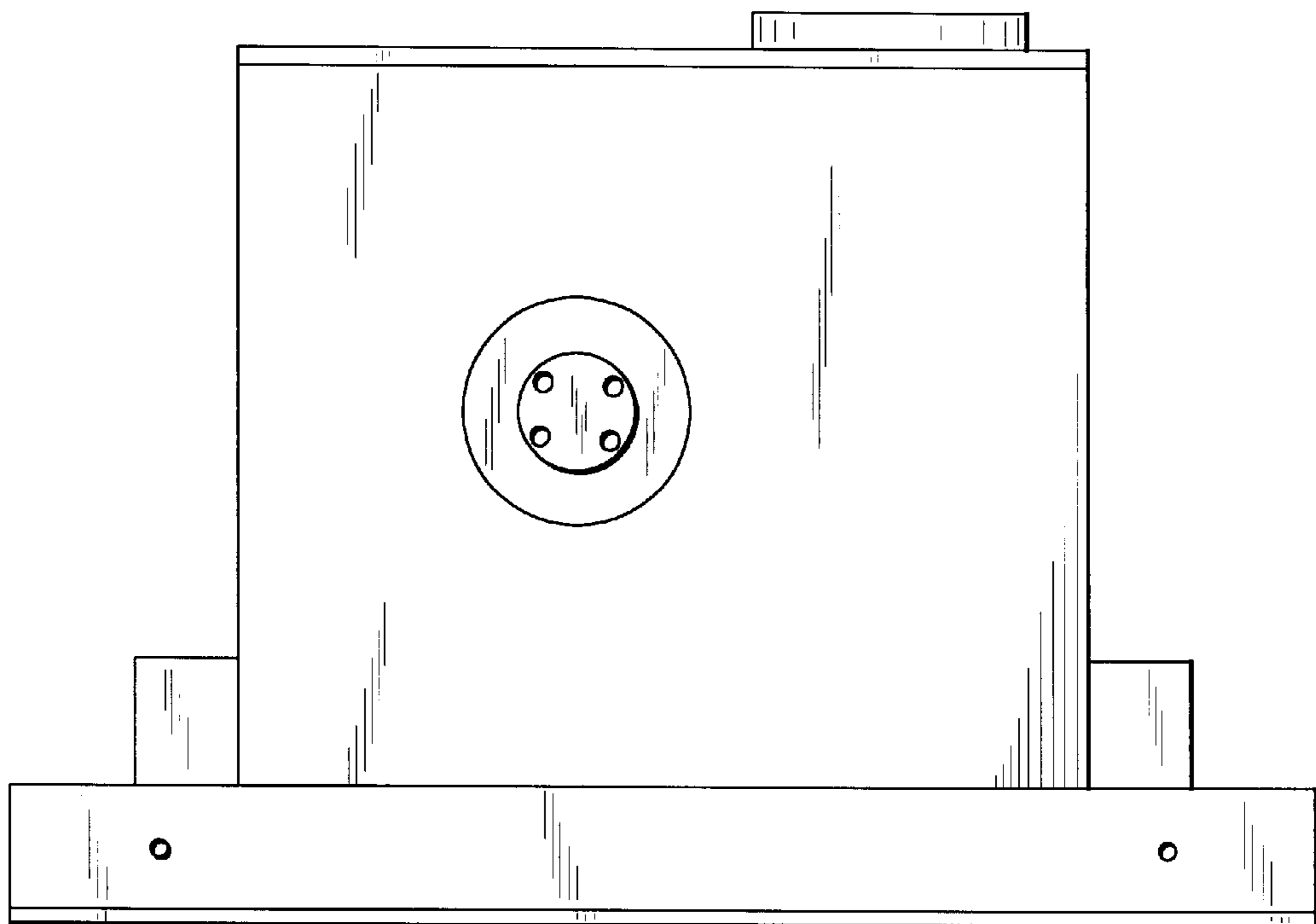


FIG. 5

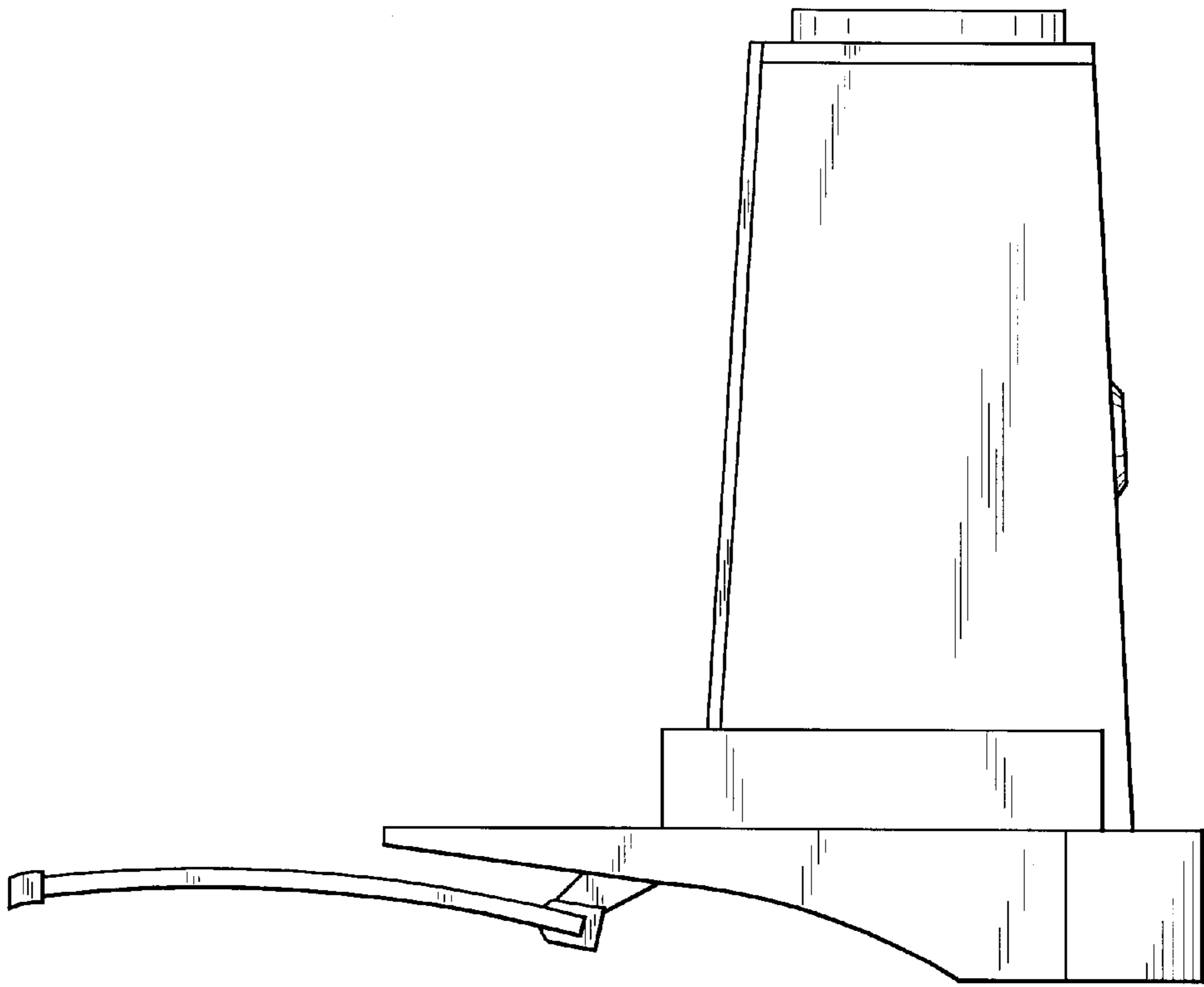


FIG. 6

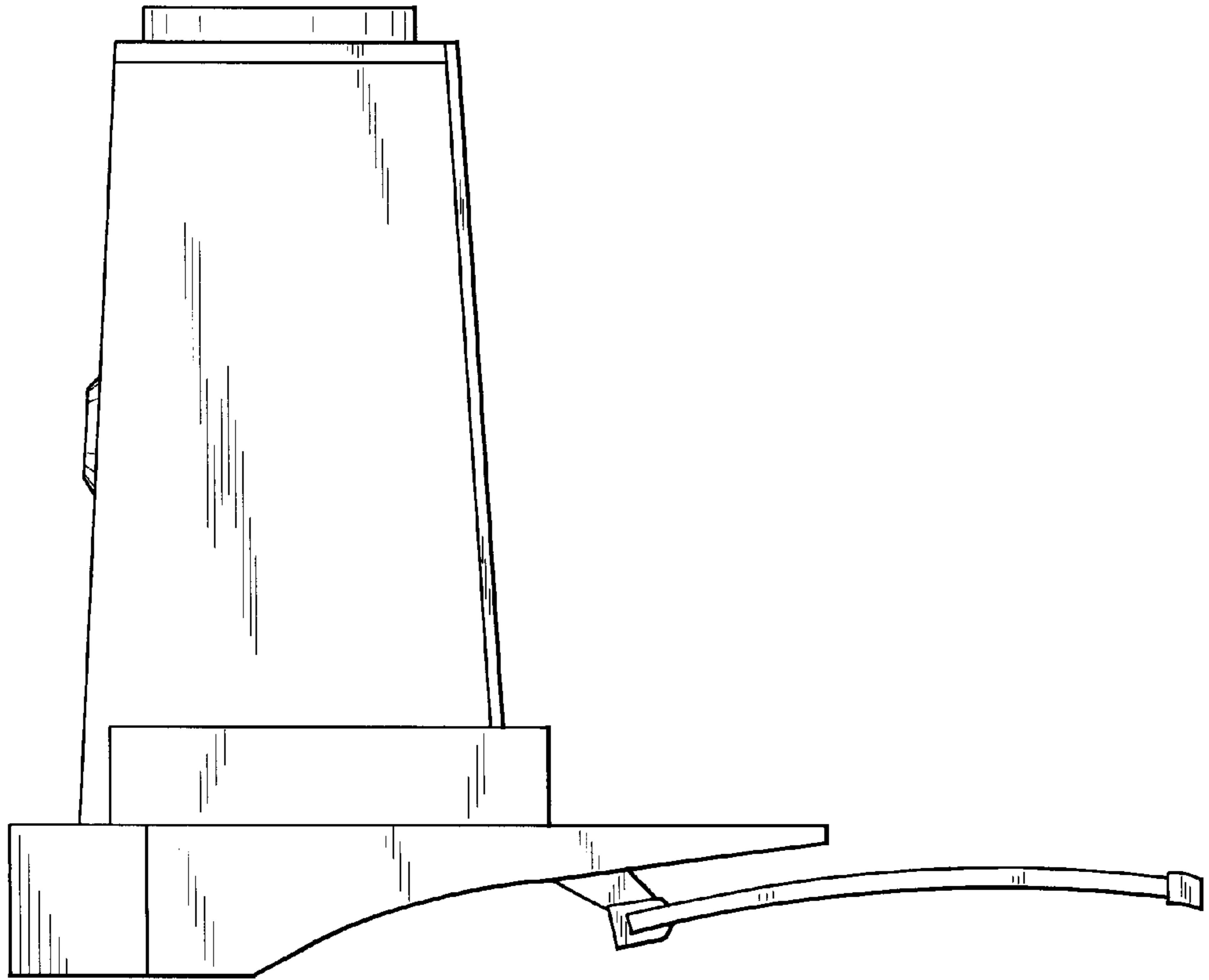


FIG. 7



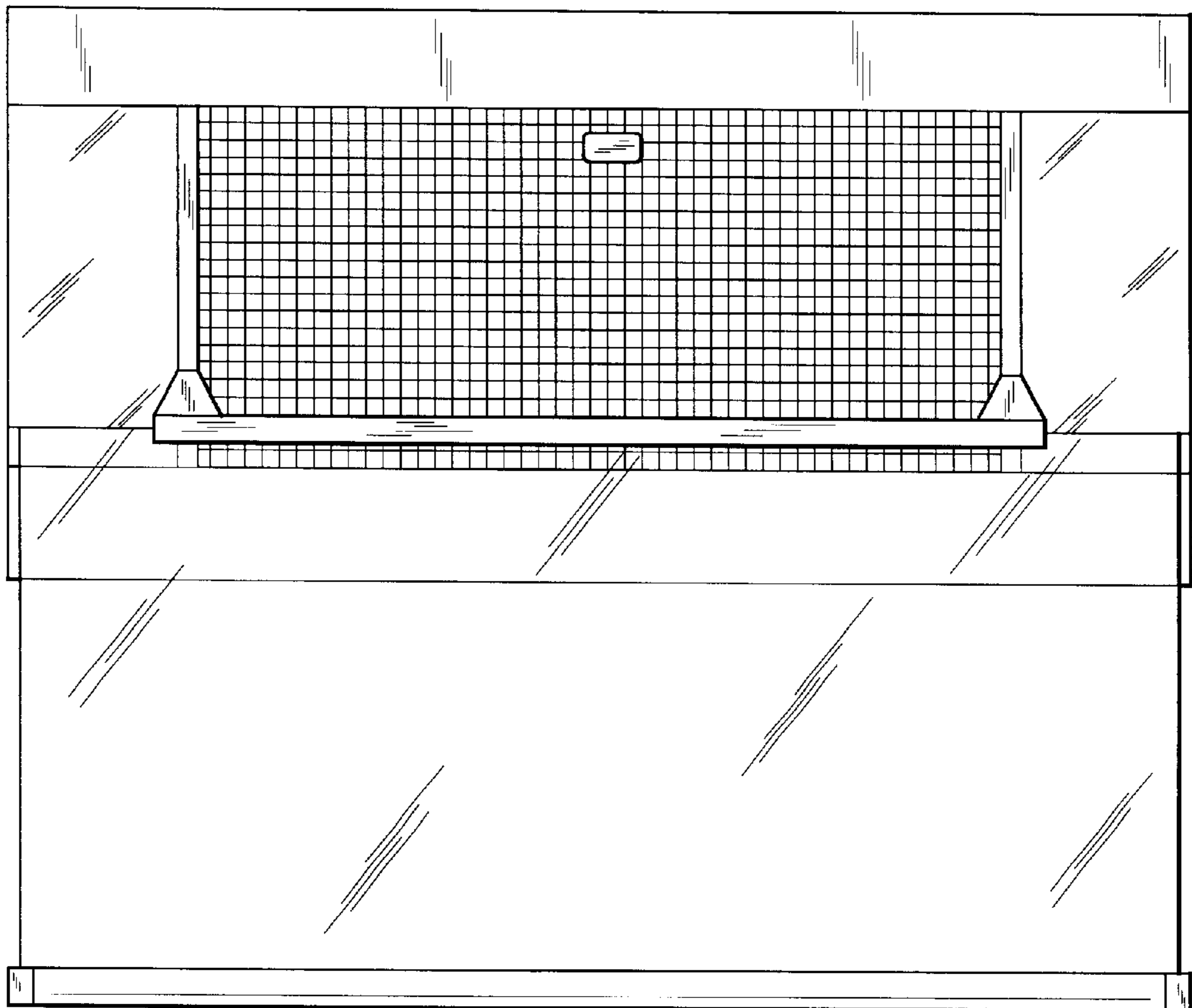


FIG. 8

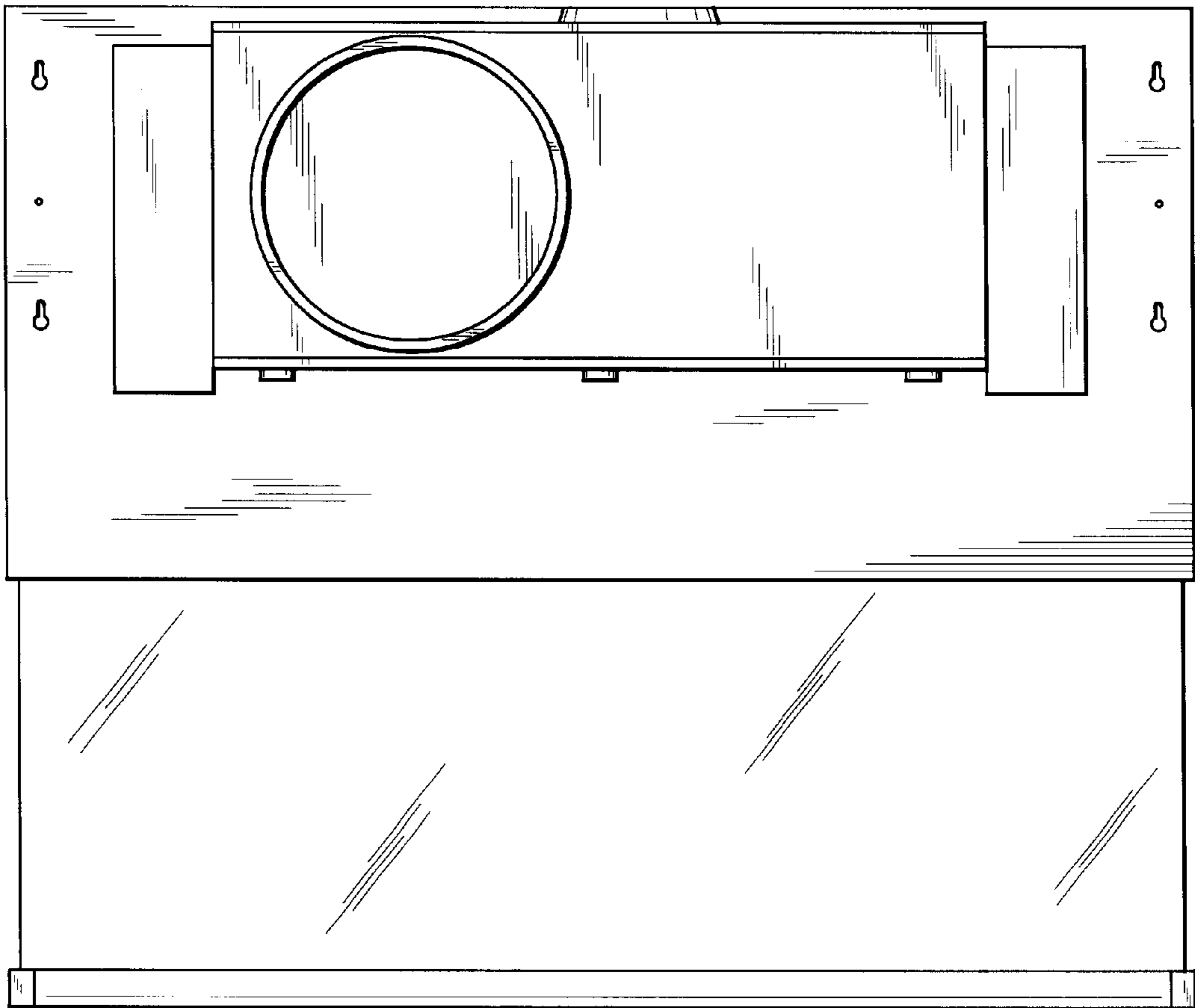


FIG. 9