



US00D450378B1

(12) **United States Design Patent**
Minakuchi et al.

(10) **Patent No.:** **US D450,378 S**

(45) **Date of Patent:** **** Nov. 13, 2001**

(54) **FAN MOTOR**

(75) Inventors: **Shinya Minakuchi; Hiroyuki Shingai,**
both of Koriyama (JP)

(73) Assignee: **Nidec Copal Corporation, Tokyo (JP)**

(**) Term: **14 Years**

(21) Appl. No.: **29/125,205**

(22) Filed: **Jun. 20, 2000**

(30) **Foreign Application Priority Data**

Dec. 21, 1999 (JP) 11-35175
Dec. 21, 1999 (JP) 11-35176

(51) **LOC (7) Cl.** **23-04**

(52) **U.S. Cl.** **D23/370; D23/379**

(58) **Field of Search** D23/370, 379;
415/176, 177, 178, 211.2; 361/697, 695,
694; 165/80.3, 121, 122; D14/114

(56) **References Cited**

U.S. PATENT DOCUMENTS

D. 396,276 7/1998 Horng D23/370
D. 398,392 9/1998 Horng D23/370
D. 398,393 9/1998 Horng D23/370
D. 399,946 10/1998 Horng D23/370

D. 400,665 11/1998 Horng D23/370
D. 401,686 11/1998 Horng D23/370
D. 403,514 4/1999 Horng D23/370
D. 403,755 1/1999 Liang D23/370
D. 403,760 1/1999 Kodaira et al. D23/370
5,409,352 * 4/1995 Lee 361/697
5,734,553 * 3/1998 Hong 361/697

* cited by examiner

Primary Examiner—Lisa Lichtenstein

(74) *Attorney, Agent, or Firm*—Leydig, Voit & Mayer, Ltd.

(57) **CLAIM**

The ornamental design for a fan motor, as shown and described.

DESCRIPTION

FIG. 1 is a perspective view showing our new design of a fan motor which may be used for cooling, for example, electronic circuits of personal computers, mobile telephones, and the like;

FIG. 2 is a top plan view thereof;

FIG. 3 is a front view thereof;

FIG. 4 is a bottom plan view thereof;

FIG. 5 is a rear view;

FIG. 6 is a right side view thereof; and,

FIG. 7 is a left side view thereof.

1 Claim, 4 Drawing Sheets

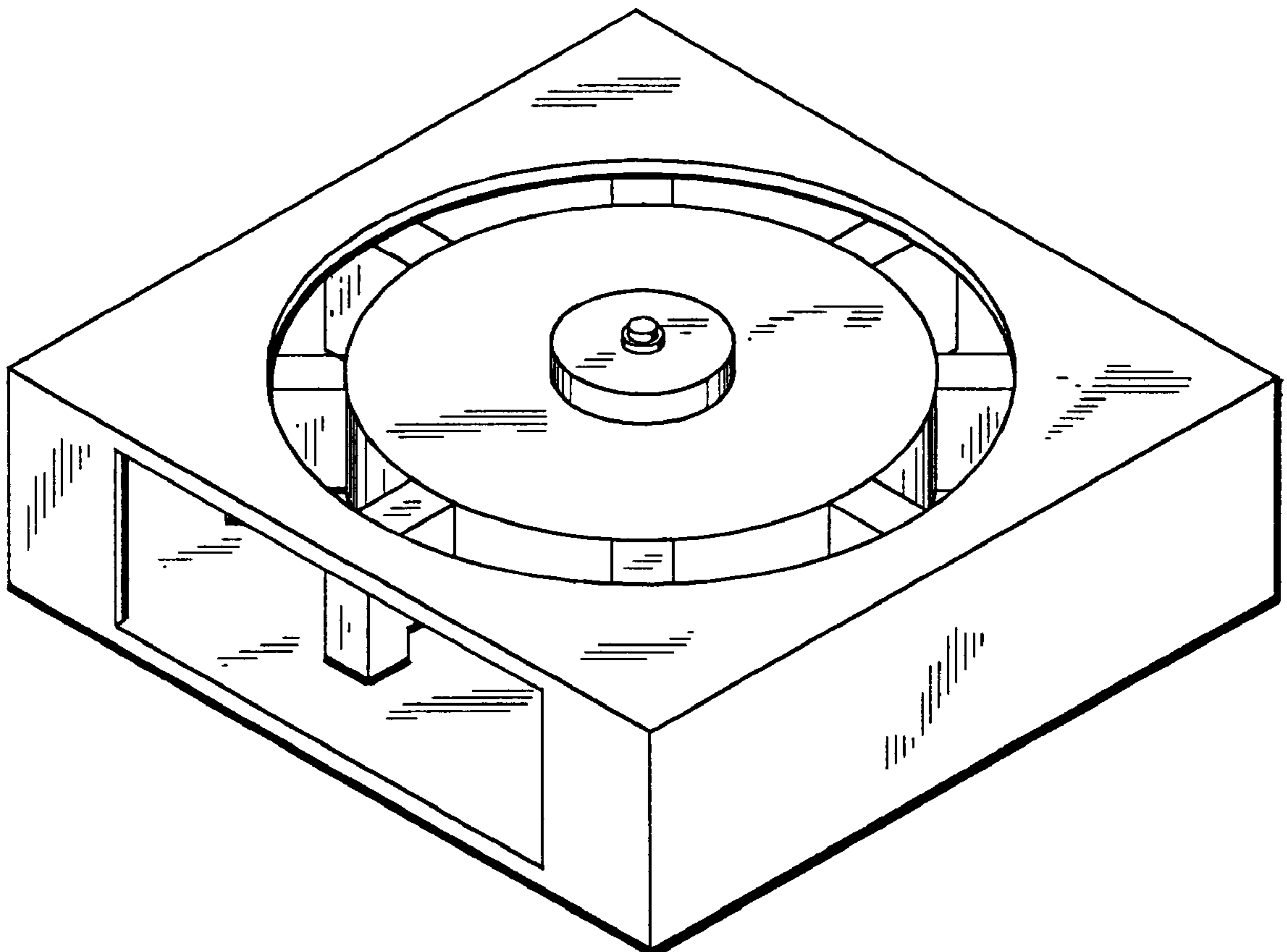


Fig. 1

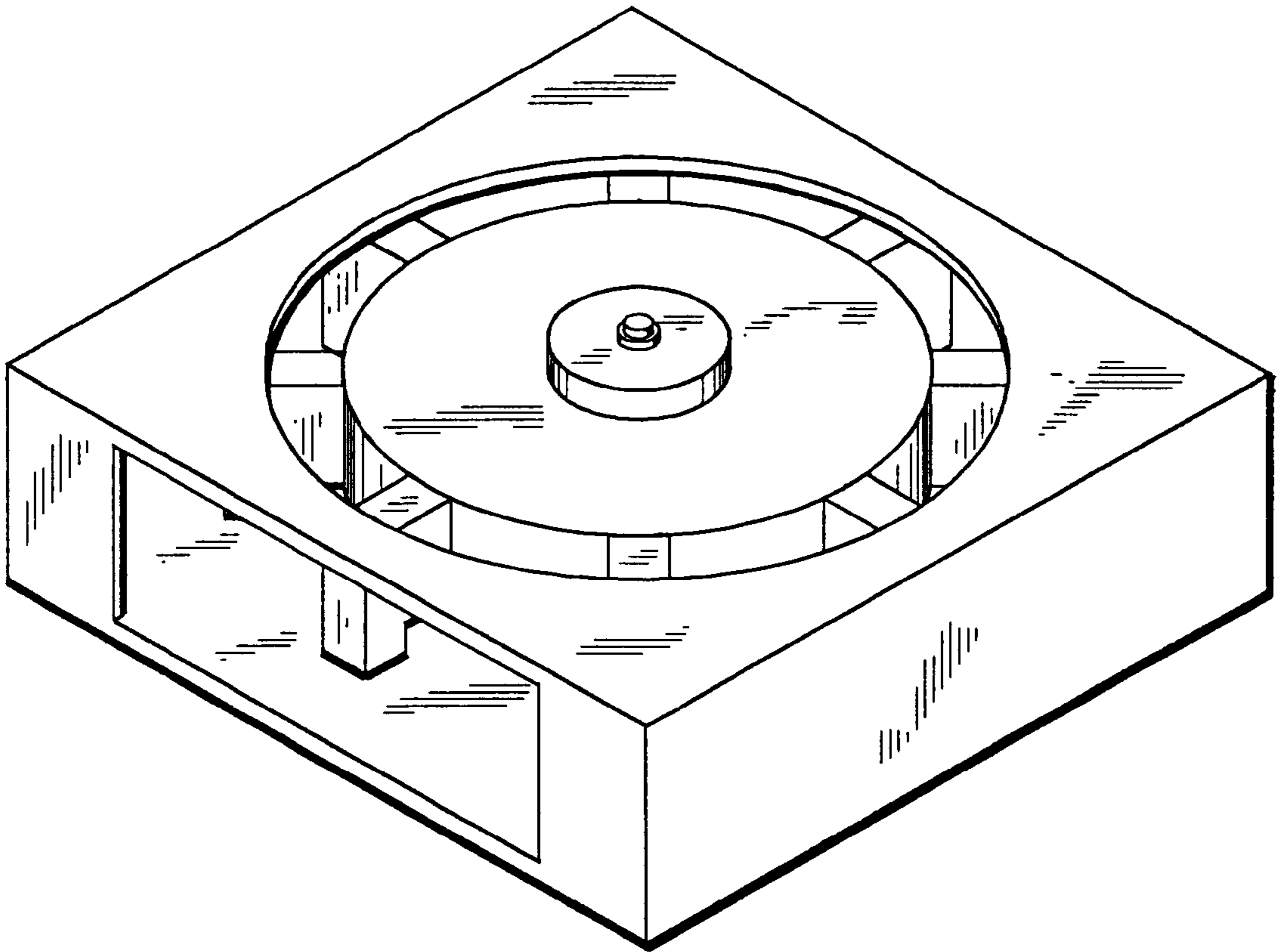


Fig. 2

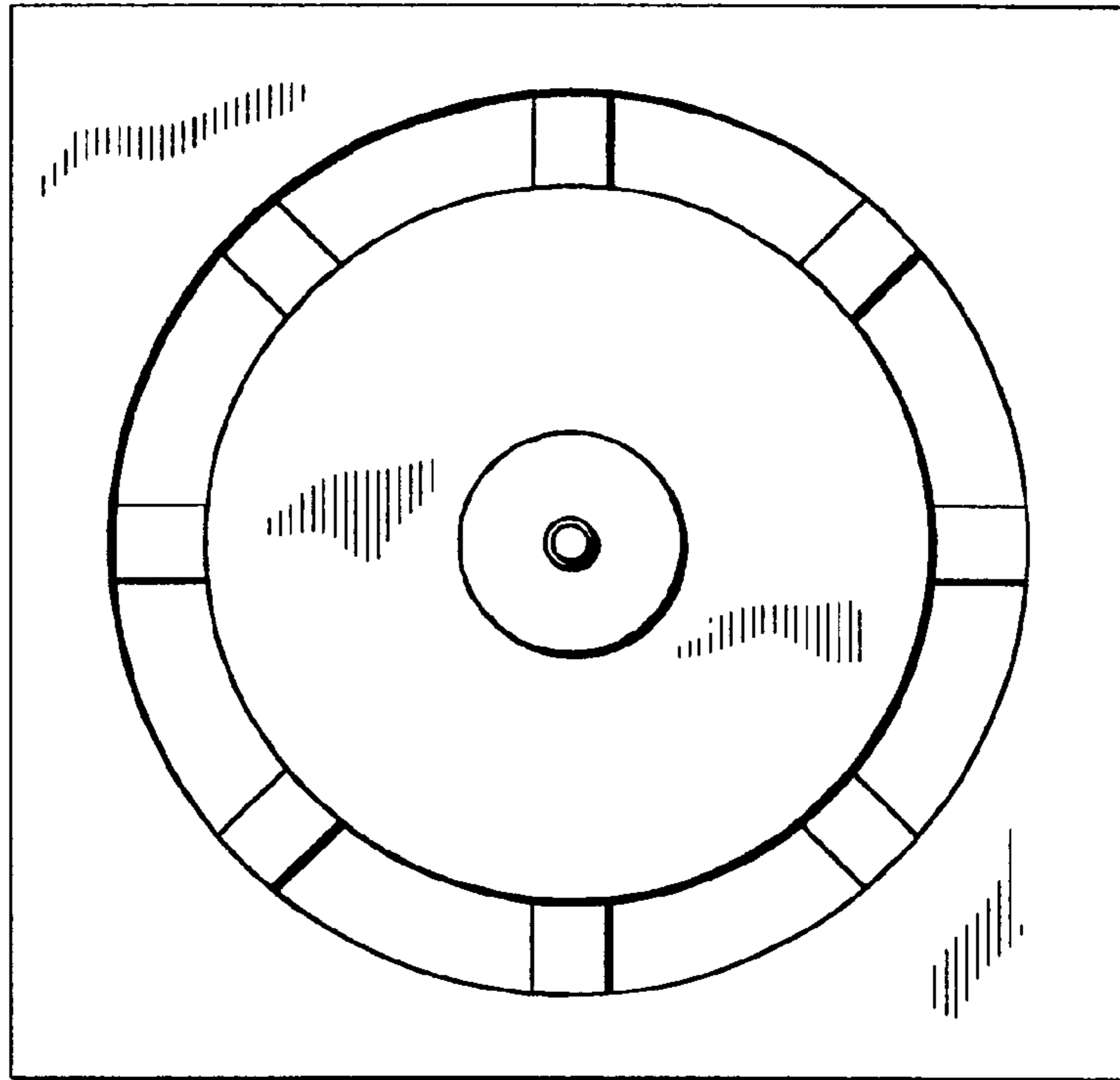


Fig. 3

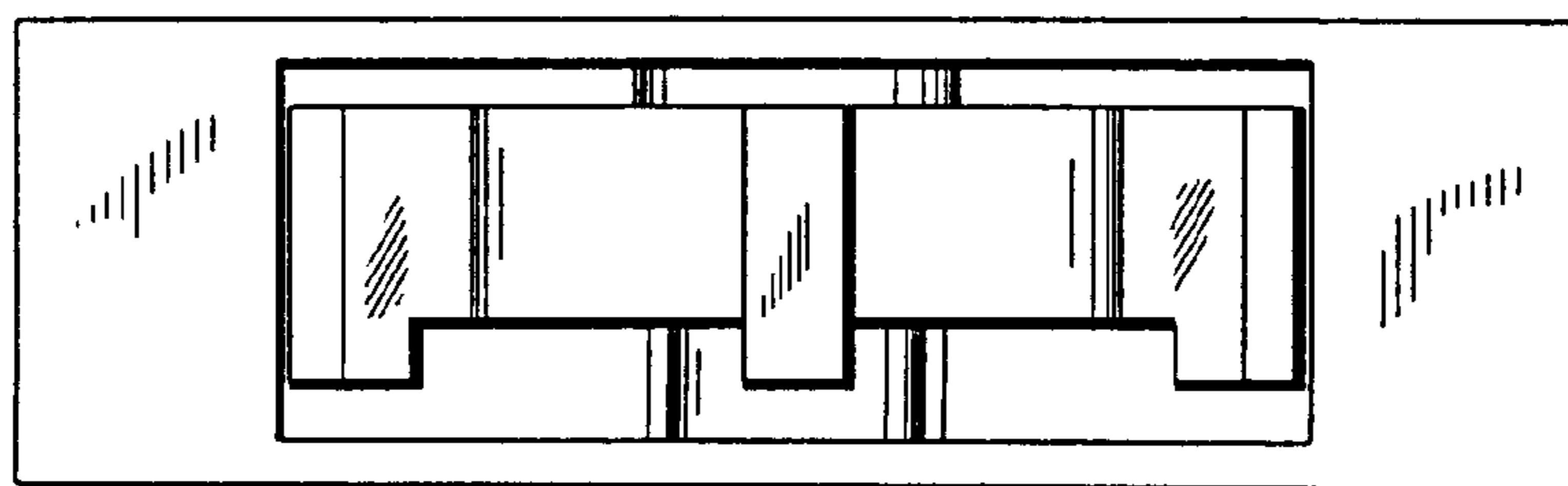


Fig. 4

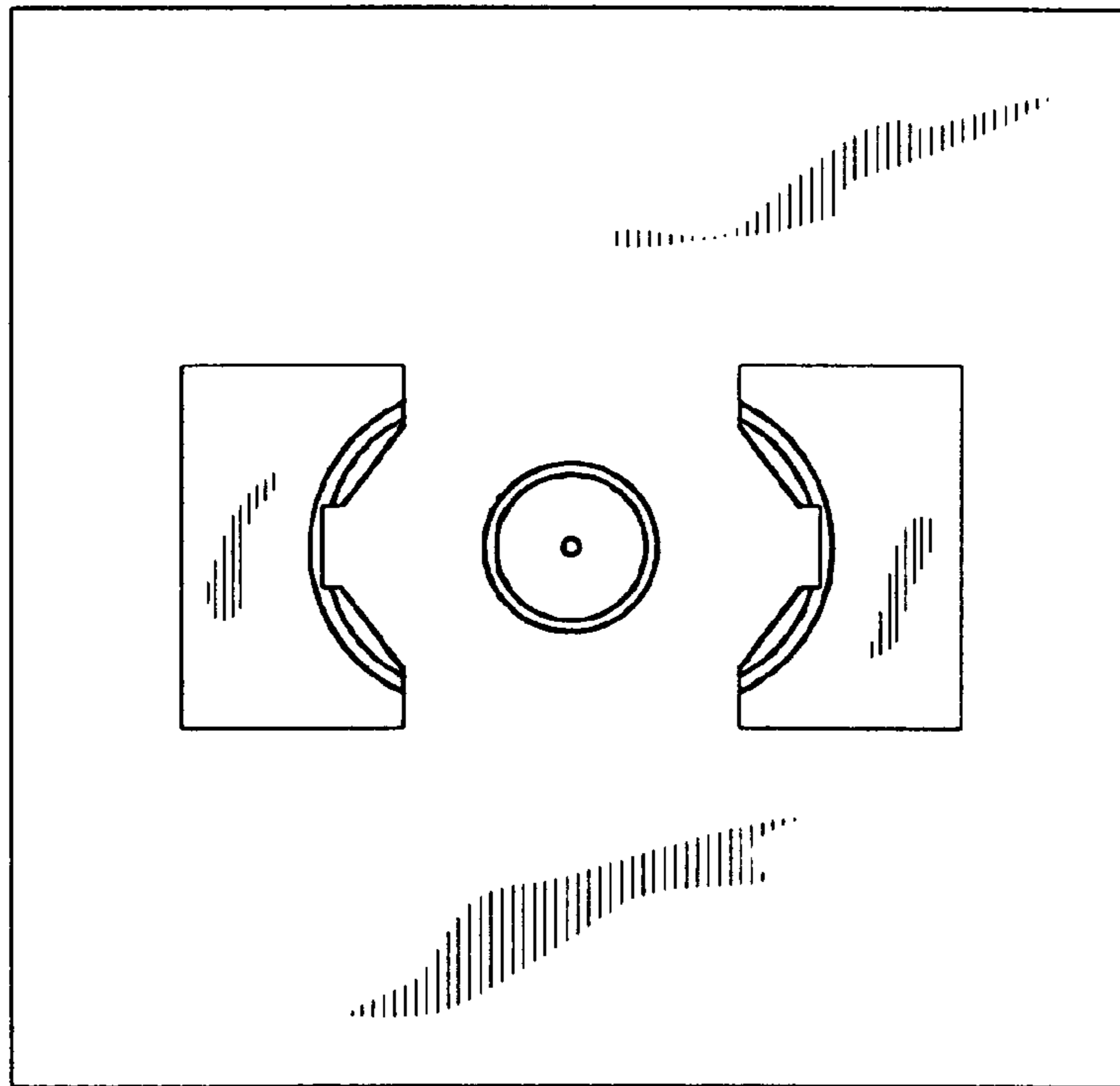


Fig. 5

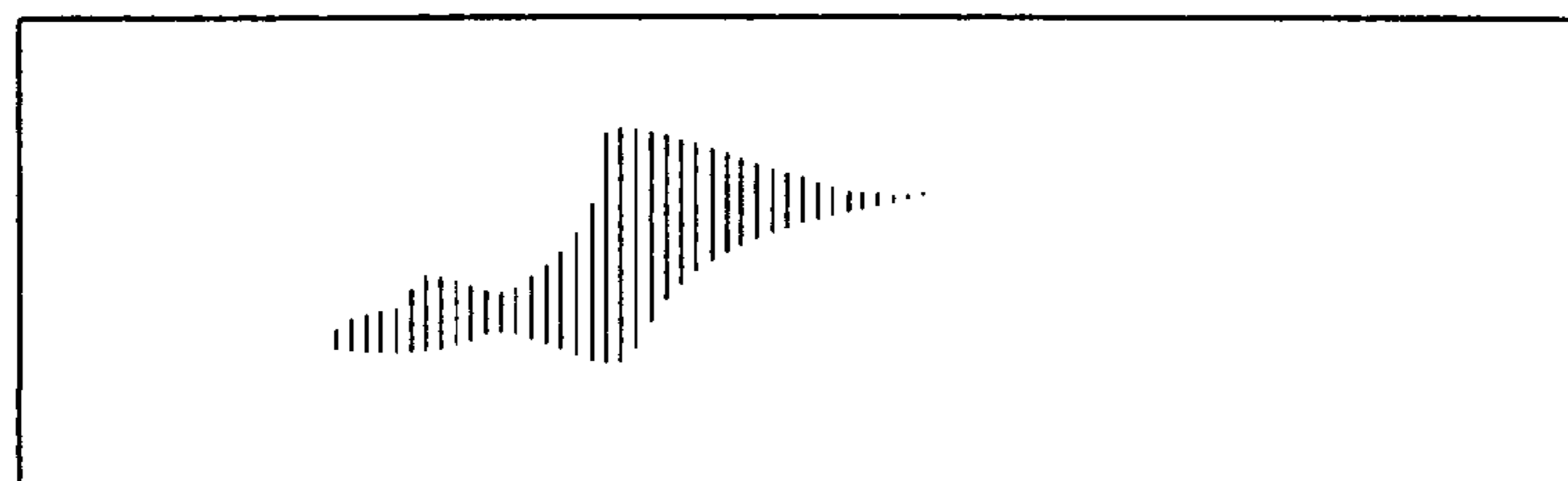


Fig. 6

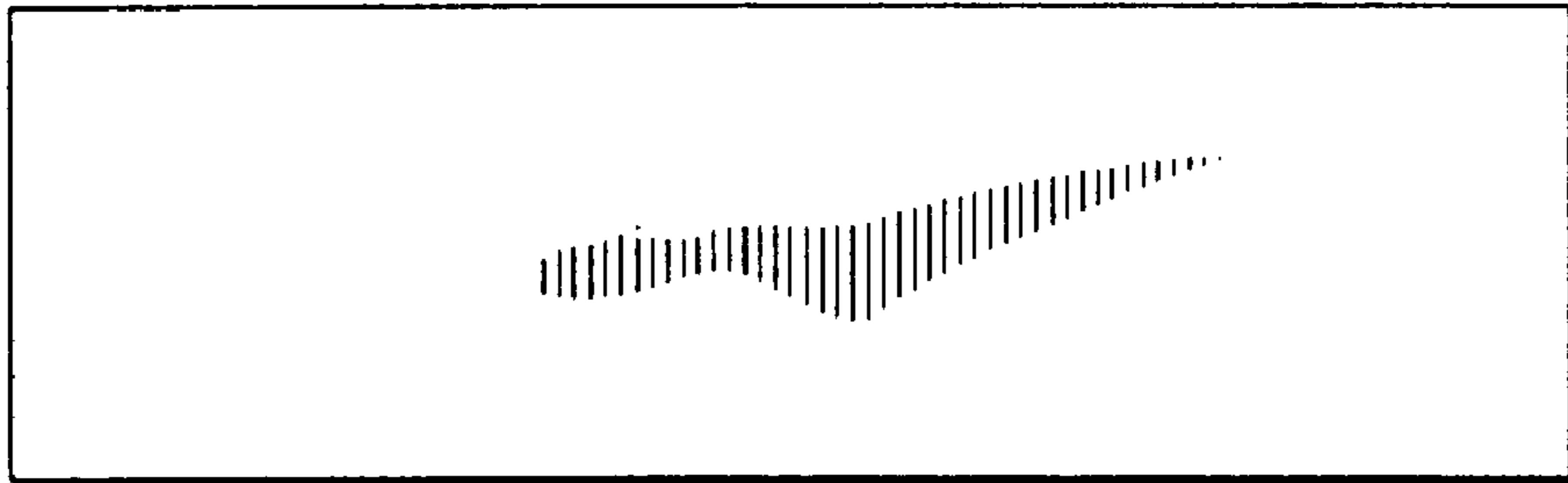


Fig. 7

