



US00D450377B1

(12) **United States Design Patent**
Terpko et al.

(10) **Patent No.:** **US D450,377 S**

(45) **Date of Patent:** **** Nov. 13, 2001**

(54) **AIR CLEANER**

(75) Inventors: **Kristin Terpko**, Westborough, MA (US); **Stephen M. Gatchell**, Warwick, RI (US); **Rafael Yopez**, Jamaica Plain, MA (US); **David Feer**, Wilton, NH (US)

(73) Assignee: **Honeywell International Inc.**, Morristown, NJ (US)

(**) Term: **14 Years**

(21) Appl. No.: **29/133,650**

(22) Filed: **Dec. 1, 2000**

Related U.S. Application Data

(63) Continuation-in-part of application No. 29/116,951, filed on Jan. 13, 2000, now Pat. No. Des. 438,944.

(51) **LOC (7) Cl.** **23-04**

(52) **U.S. Cl.** **D23/364**

(58) **Field of Search** D23/364, 355, D23/365; 96/97; 422/120; 55/356

(56) **References Cited**

U.S. PATENT DOCUMENTS

D. 397,197 * 8/1998 Ito et al. D23/364

D. 401,318 * 11/1998 Rakocy D23/364

* cited by examiner

Primary Examiner—Lisa Lichtenstein

(57) **CLAIM**

The ornamental design for an air cleaner, as shown.

DESCRIPTION

FIG. 1 is a front perspective view of an air cleaner showing our design.

FIG. 2 is a front elevation view of the air cleaner shown in FIG. 1.

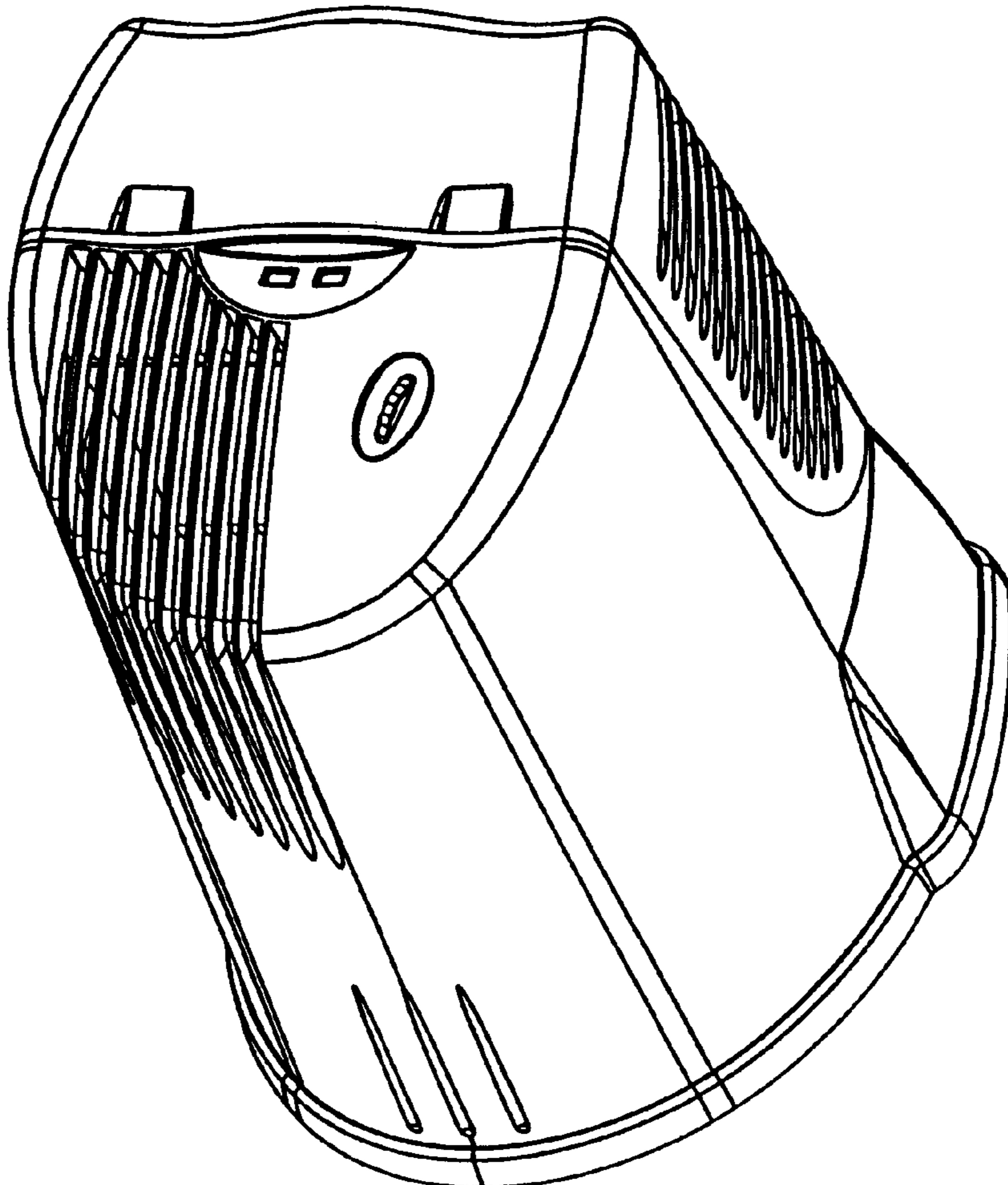
FIG. 3 is a rear elevational view of the air cleaner shown in FIG. 1.

FIG. 4 is a left side elevational view of the air cleaner shown in FIG. 1.

FIG. 5 is a right side elevational view of the air cleaner shown in FIG. 1; and,

FIG. 6 is a top plan view of the air cleaner shown in FIG. 1.

1 Claim, 6 Drawing Sheets



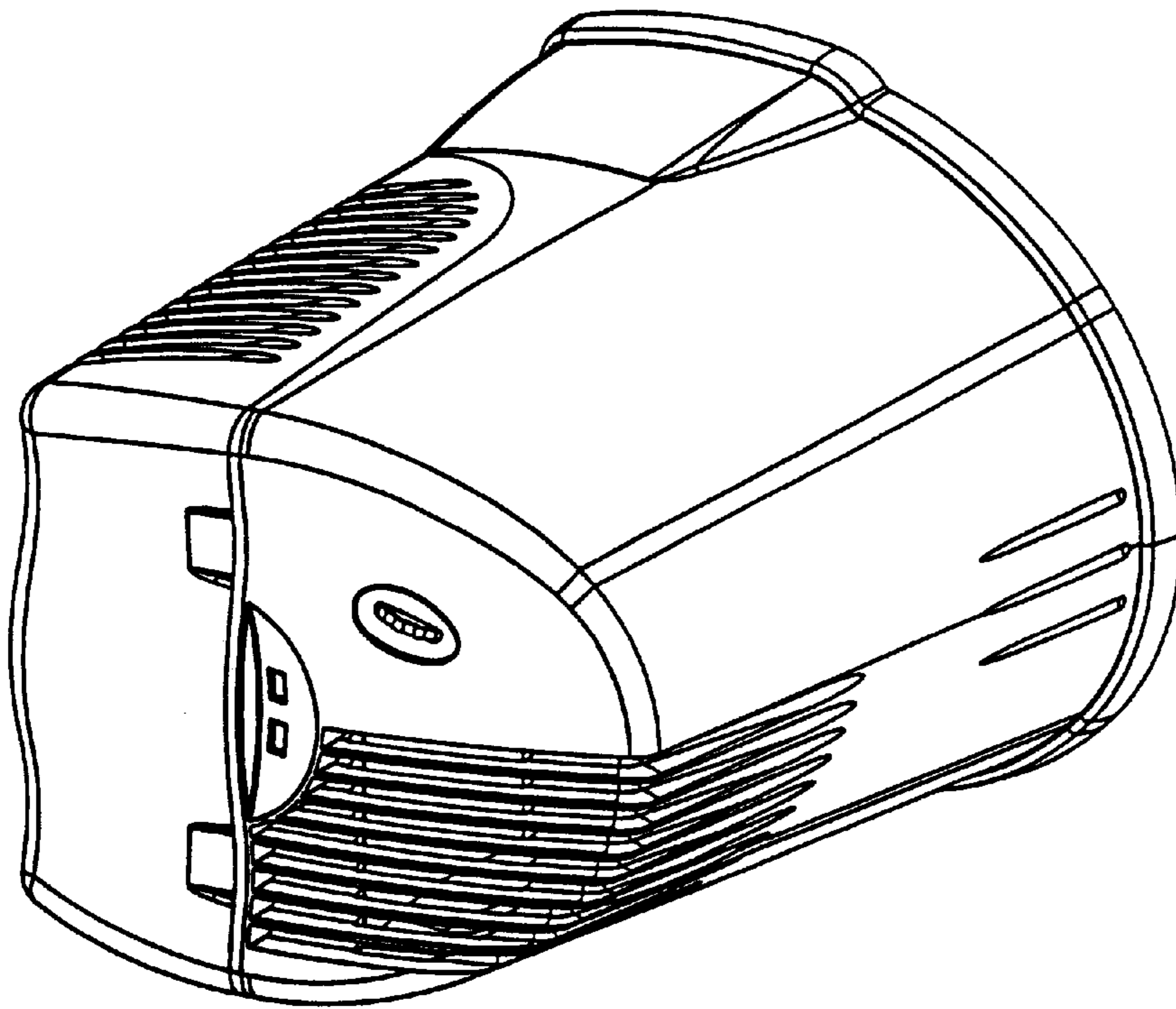


FIGURE 1

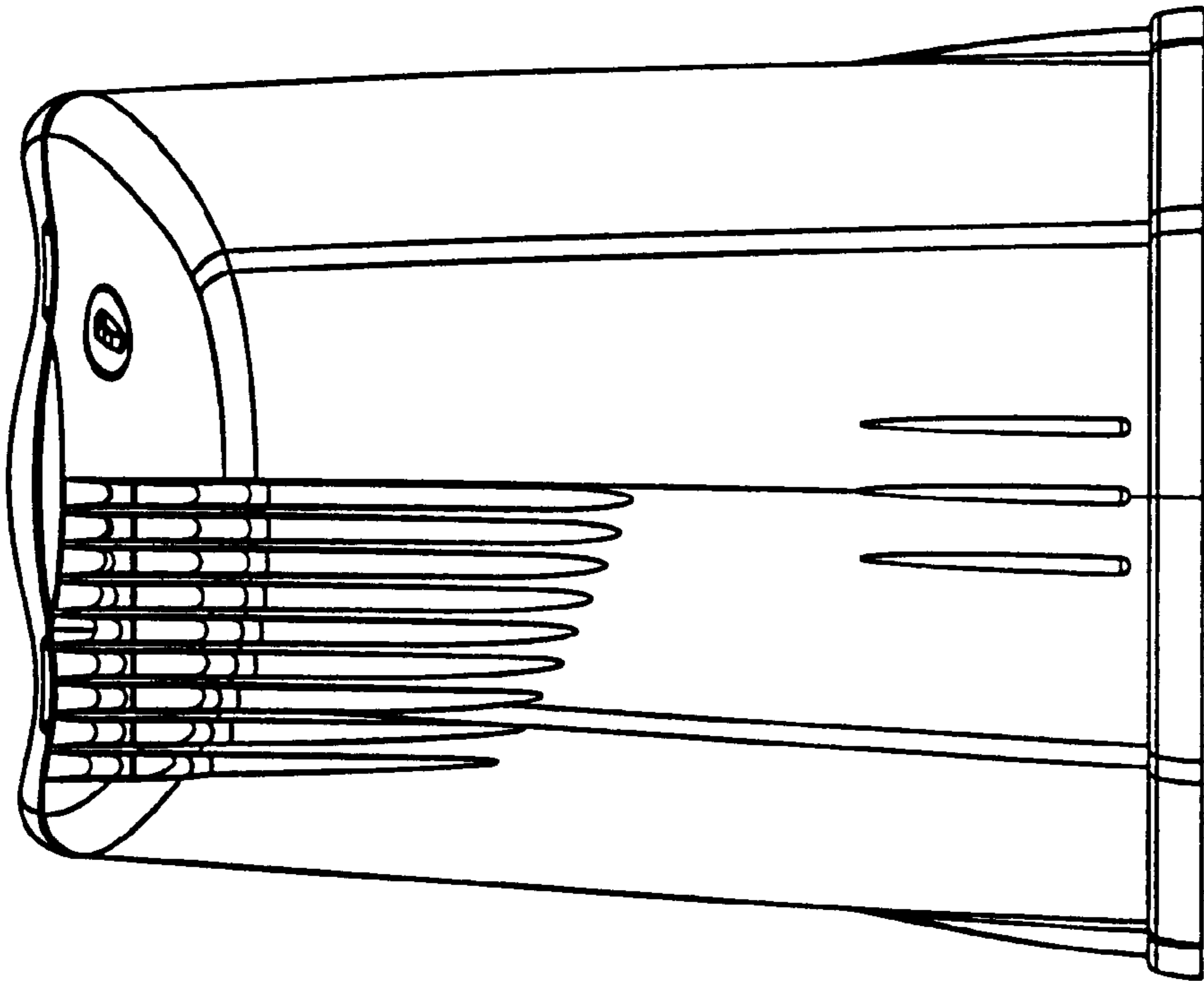


FIGURE 2

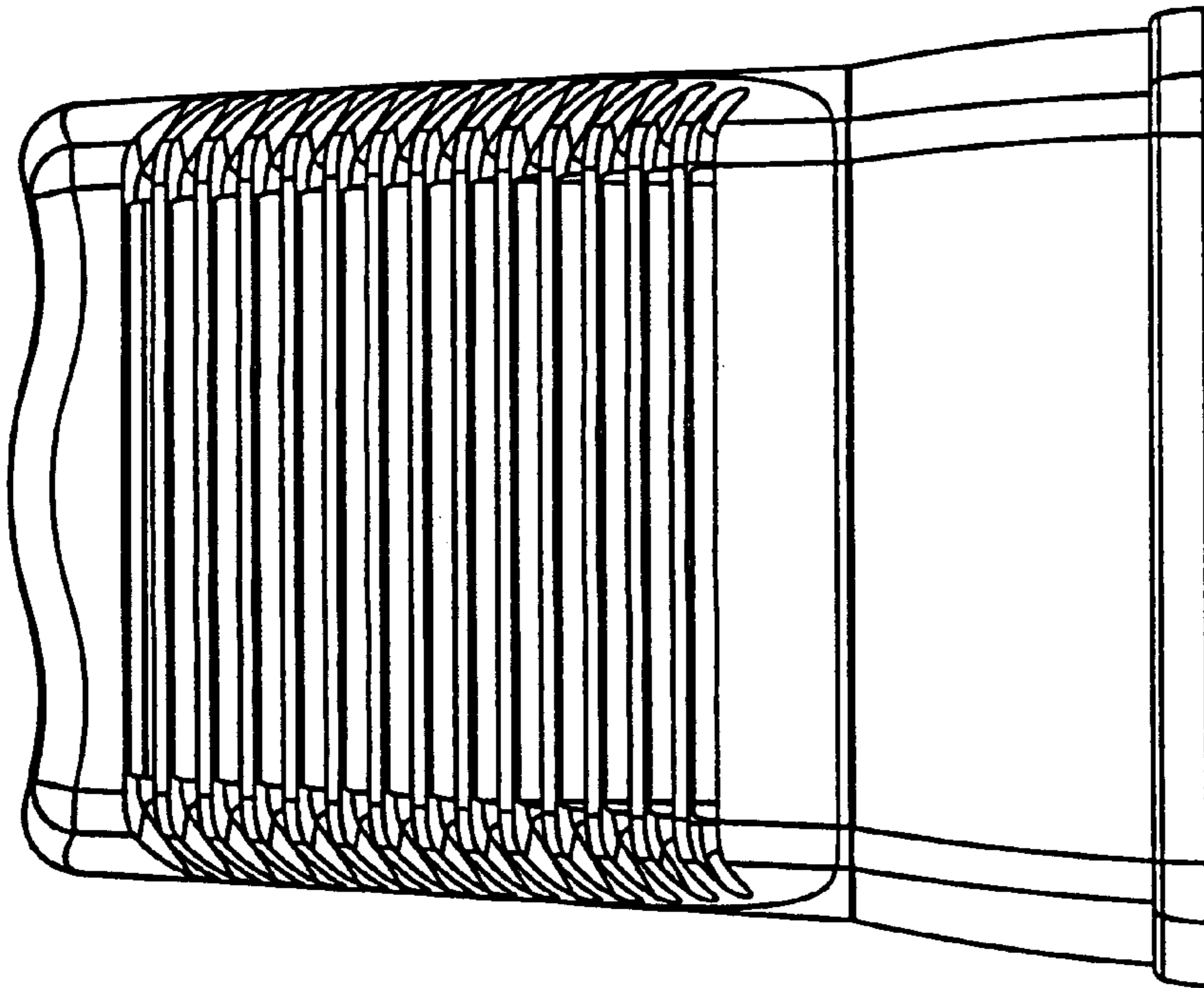


FIGURE 3

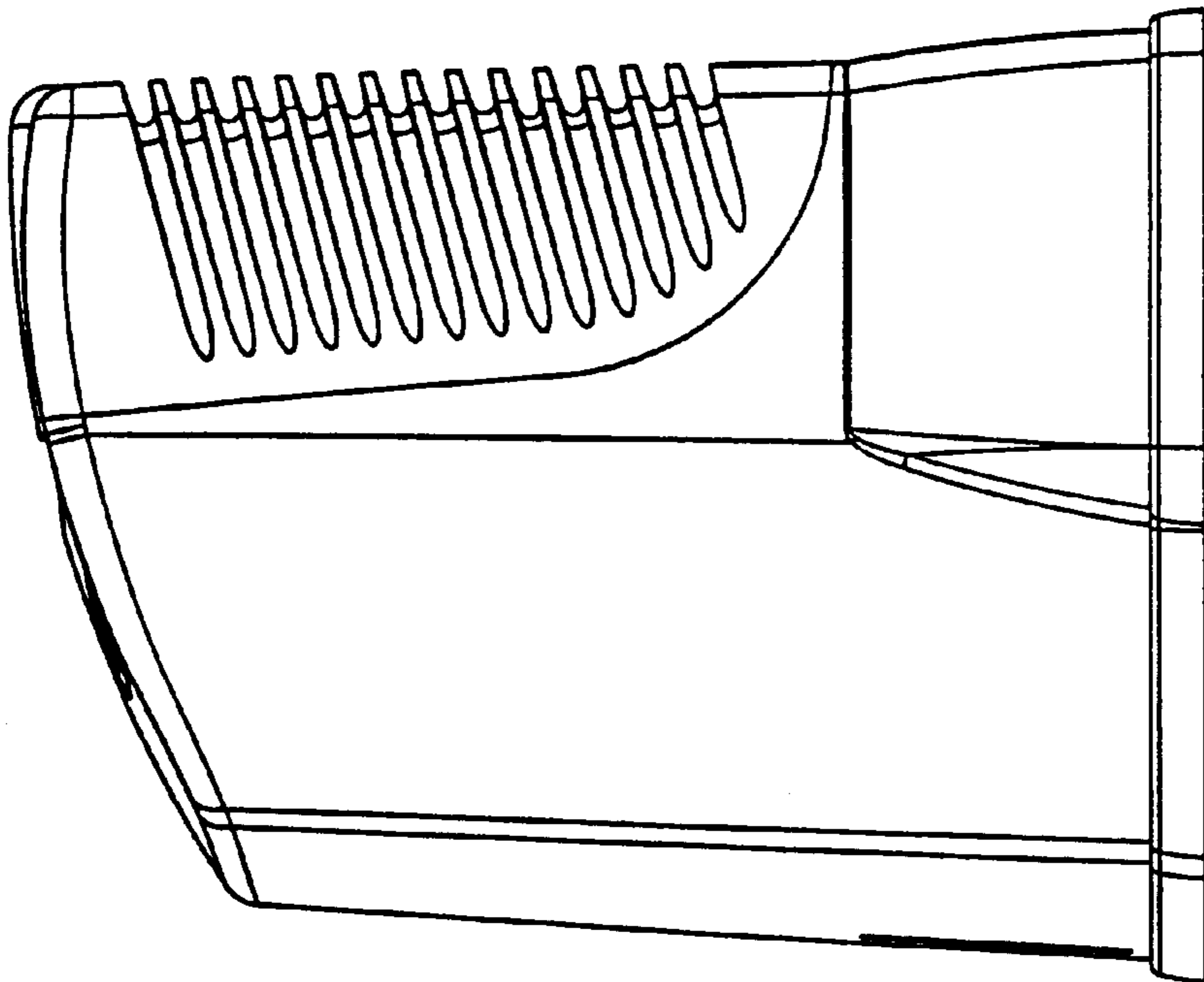


FIGURE 4

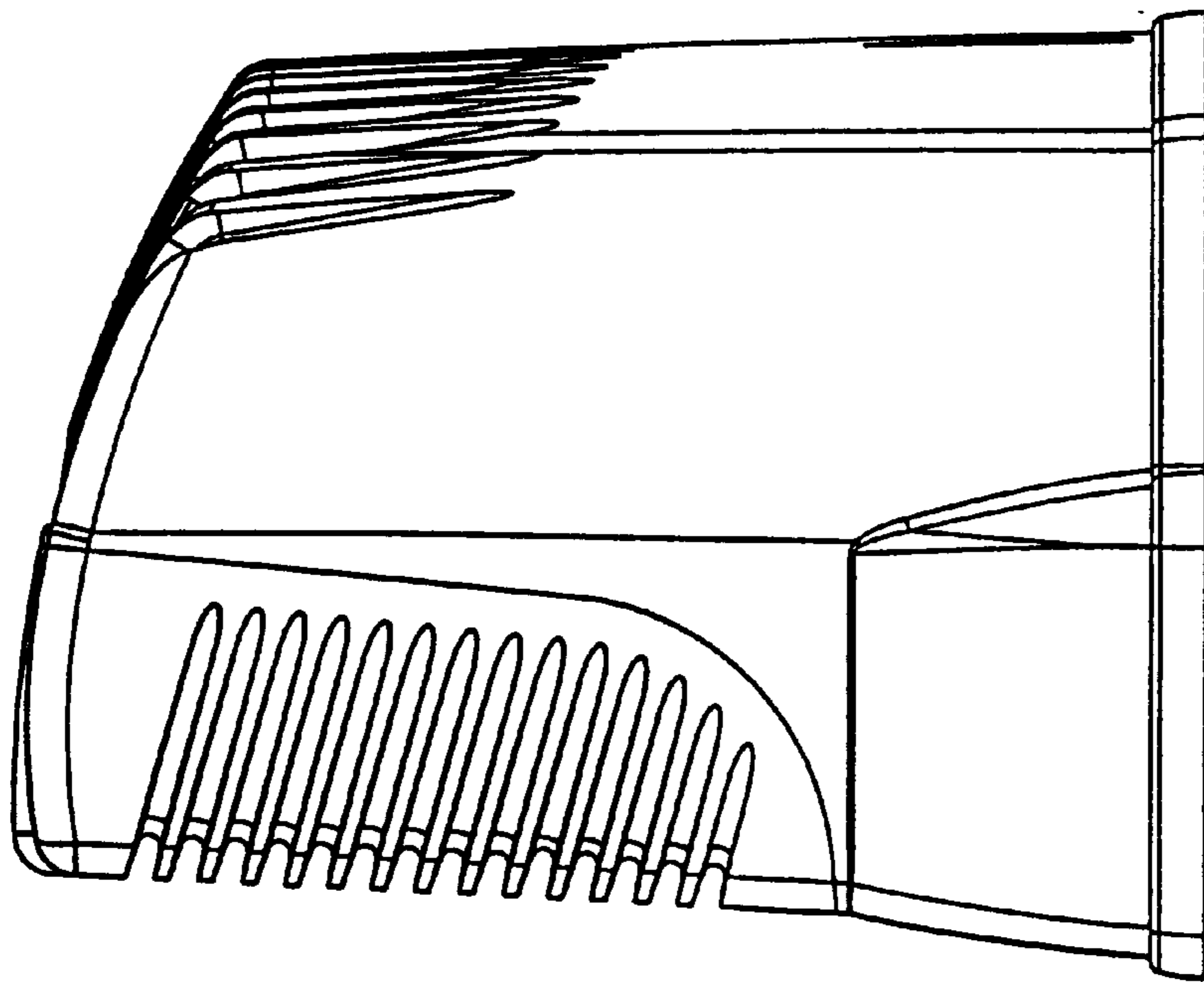


FIGURE 5

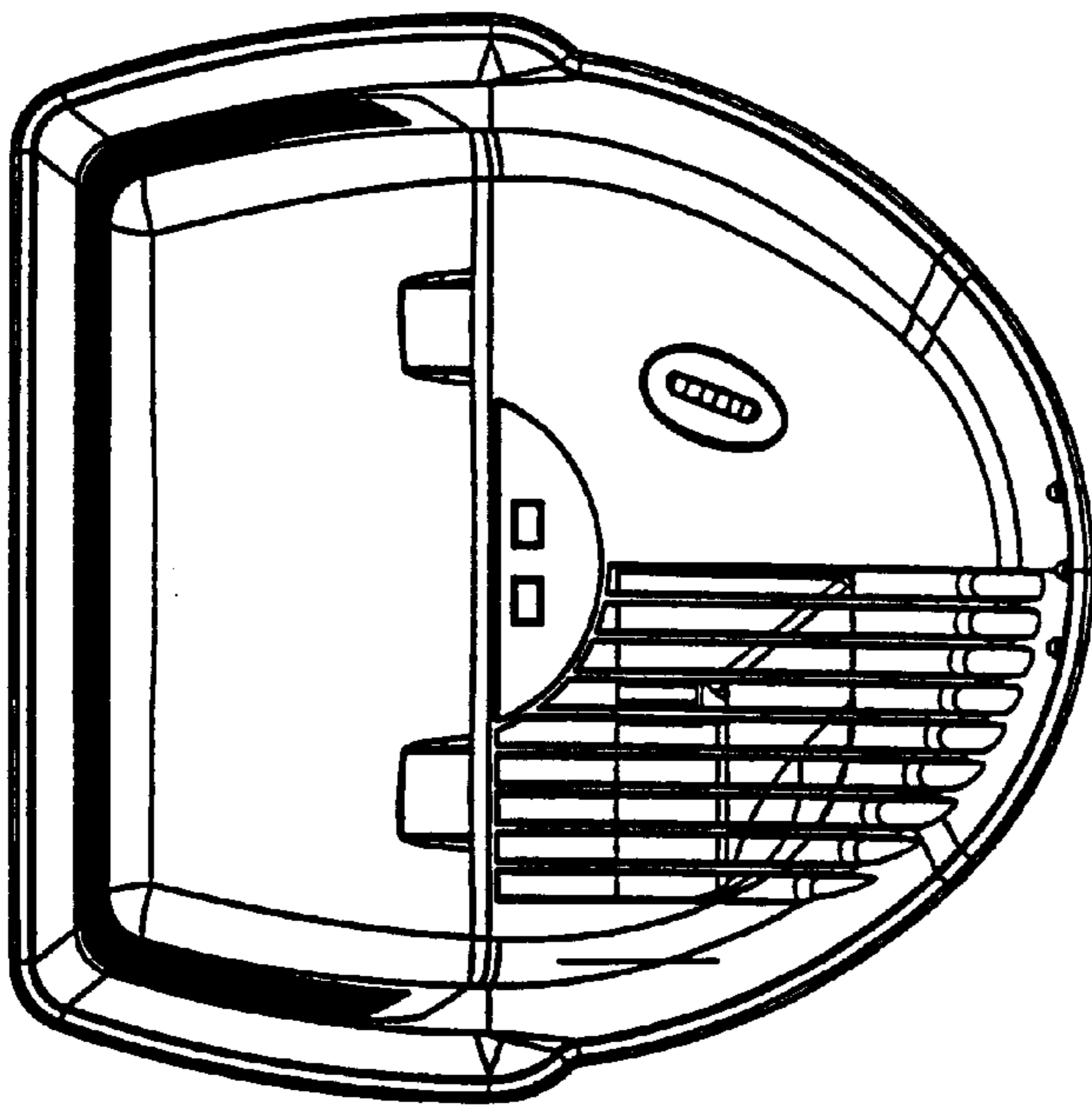


FIGURE 6