



US00D450376B1

(12) **United States Design Patent**
Gieseke et al.

(10) **Patent No.:** **US D450,376 S**

(45) **Date of Patent:** **** Nov. 13, 2001**

(54) **AIR CLEANER**

4,201,557 5/1980 Petersen .
4,547,207 10/1985 Petersen .

(75) Inventors: **Steven S. Gieseke**, Richfield; **Peter J. Murray**, Bloomington; **Gary J. Rocklitz**, Burnsville; **Junhui Liu**, St. Paul, all of MN (US)

* cited by examiner

Primary Examiner—Lisa Lichtenstein
(74) *Attorney, Agent, or Firm*—Merchant & Gould P.C.

(73) Assignee: **Donaldson Company, Inc.**,
Minneapolis, MN (US)

(57) **CLAIM**

(**) Term: **14 Years**

The ornamental design for an air cleaner, as shown and described.

(21) Appl. No.: **29/126,151**

DESCRIPTION

(22) Filed: **Jul. 10, 2000**

FIG. 1 is a perspective view of an air cleaner embodying our new design;

(51) **LOC (7) Cl.** **23-04**

FIG. 2 is a right side view of the air cleaner of FIG. 1;
FIG. 3 is a left side view of the air cleaner depicted in FIG. 1;

(52) **U.S. Cl.** **D23/364**

(58) **Field of Search** 55/498; D23/365,
D23/355, 364

FIG. 4 is a back view of the air cleaner depicted in FIG. 1;
FIG. 5 is a front view of the air cleaner depicted in FIG. 1;
FIG. 6 is a top plan view of the air cleaner depicted in FIG. 1;

(56) **References Cited**

U.S. PATENT DOCUMENTS

D. 412,568	*	8/1999	Ward et al.	D23/364
D. 423,659	*	4/2000	Schippanoski	D23/364
1,641,746		9/1927	Donaldson .	
1,734,030		11/1929	Bennett .	
1,864,201		6/1932	Kegerreis et al. .	
1,934,311		11/1933	Kegerreis et al. .	
2,417,130		3/1947	Russell .	
3,973,937		8/1976	Petersen .	
4,013,137		3/1977	Petersen .	
4,197,102		4/1980	Decker .	

FIG. 7 is a bottom plan view of the air cleaner of FIG. 1;
FIG. 8 is a perspective view of an air cleaner showing a second embodiment of our new design;

FIG. 9 is a right side view of the air cleaner of FIG. 8;
FIG. 10 is a left side view of the air cleaner of FIG. 8;
FIG. 11 is a back view of the air cleaner of FIG. 8;
FIG. 12 is a front view of the air cleaner of FIG. 8;
FIG. 13 is a top plan view of the air cleaner of FIG. 8; and,
FIG. 14 is a bottom plan view of the air cleaner of FIG. 8.

1 Claim, 14 Drawing Sheets

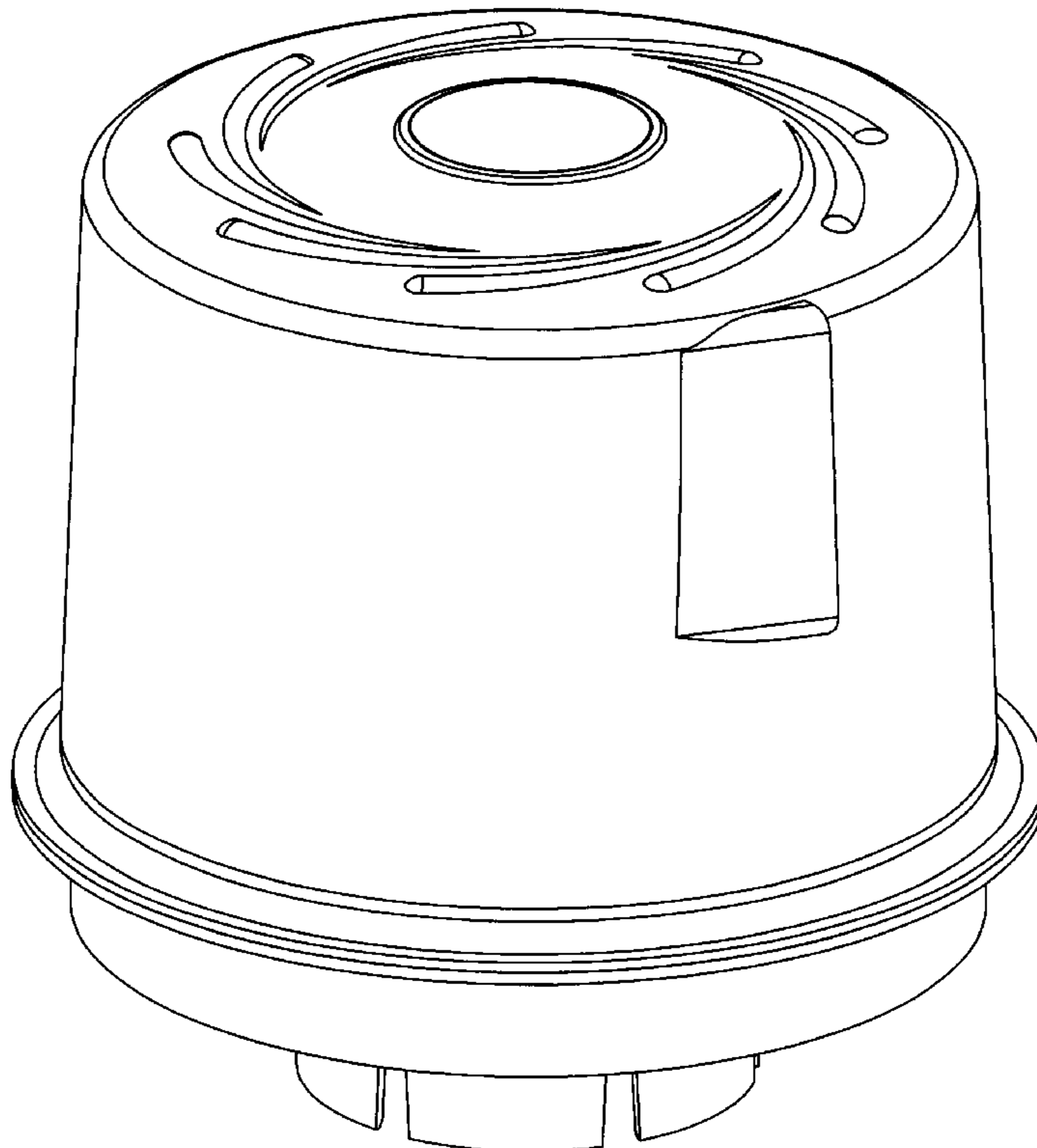


FIG. 1

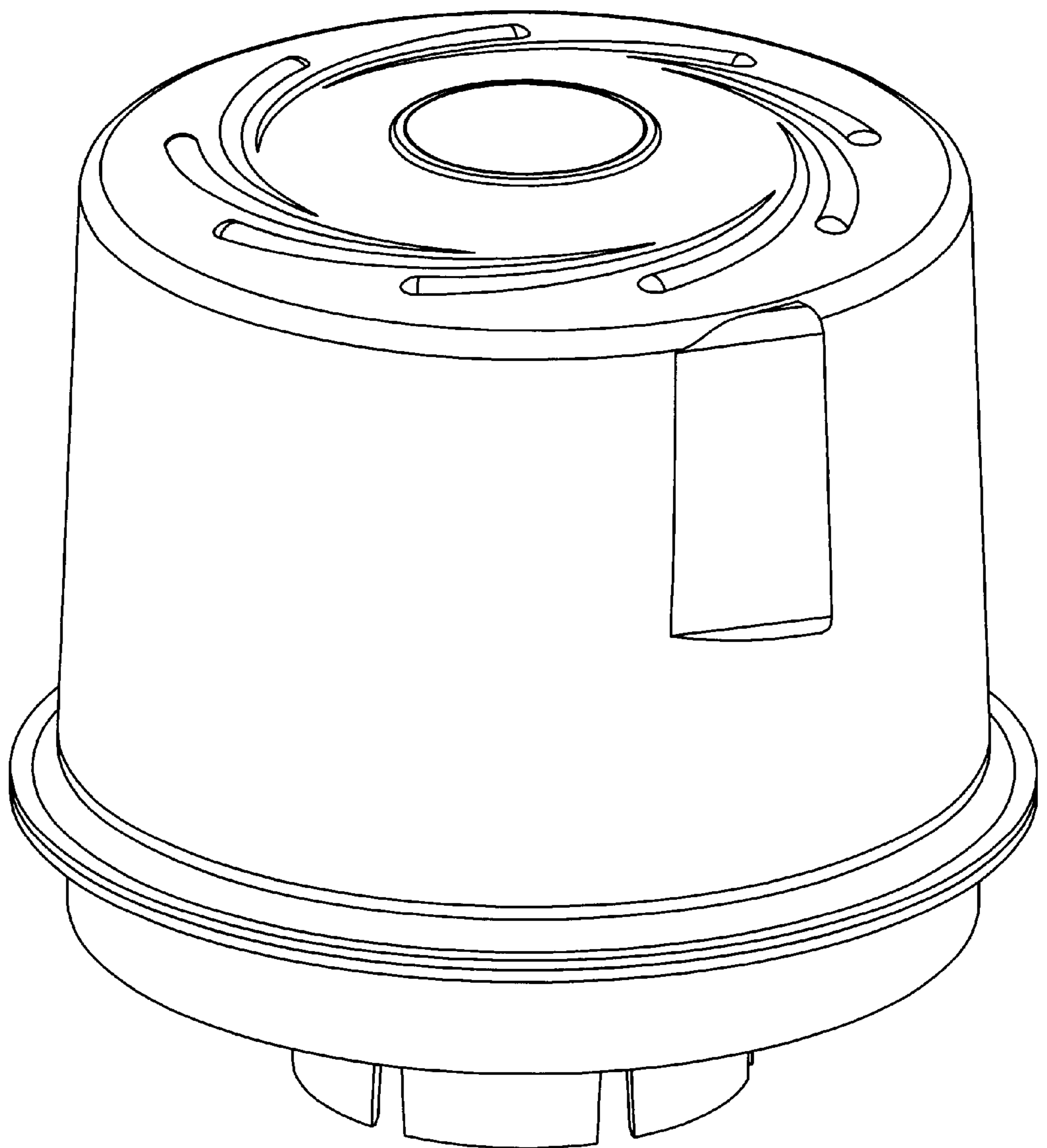


FIG. 2

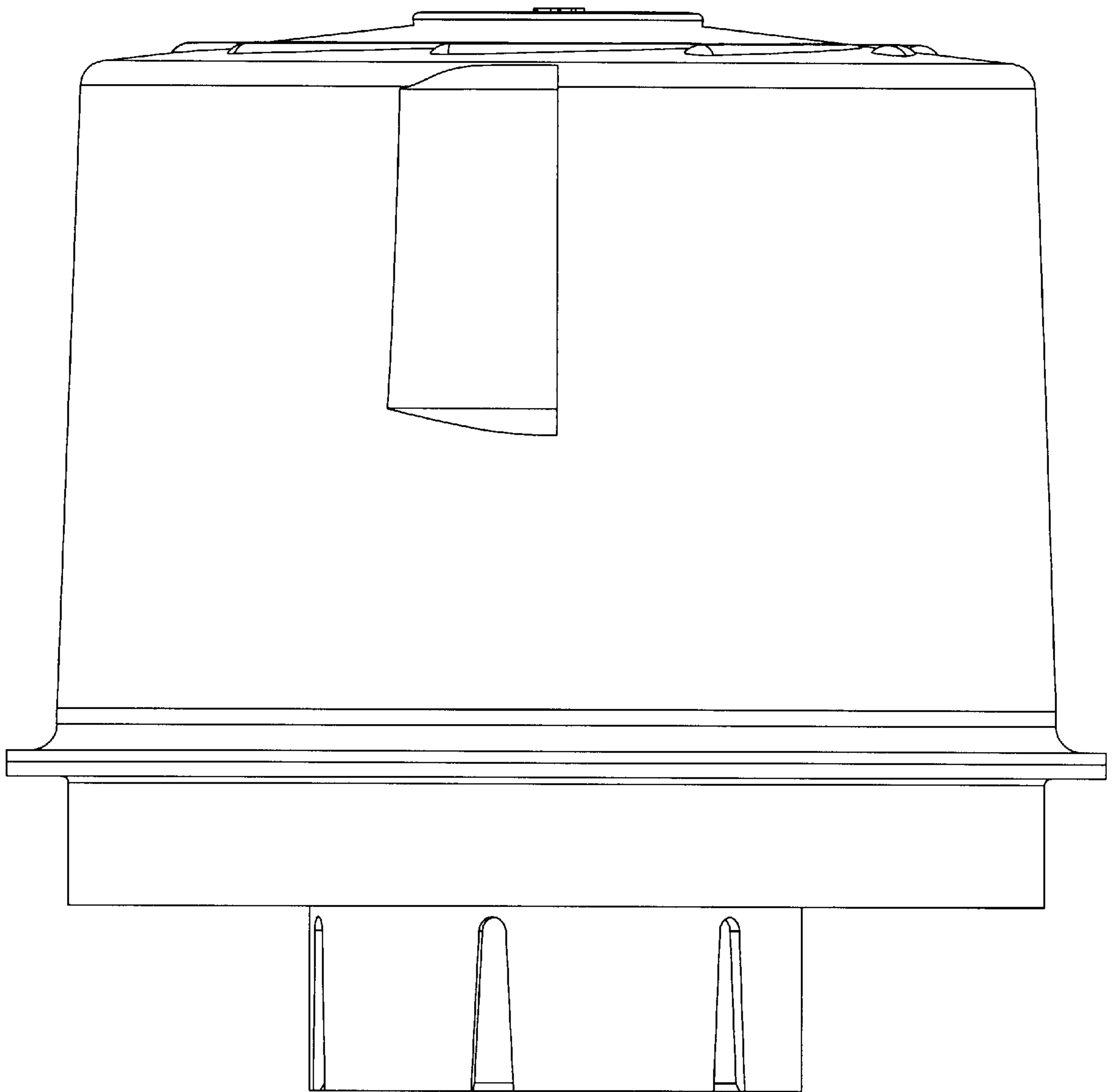


FIG. 3

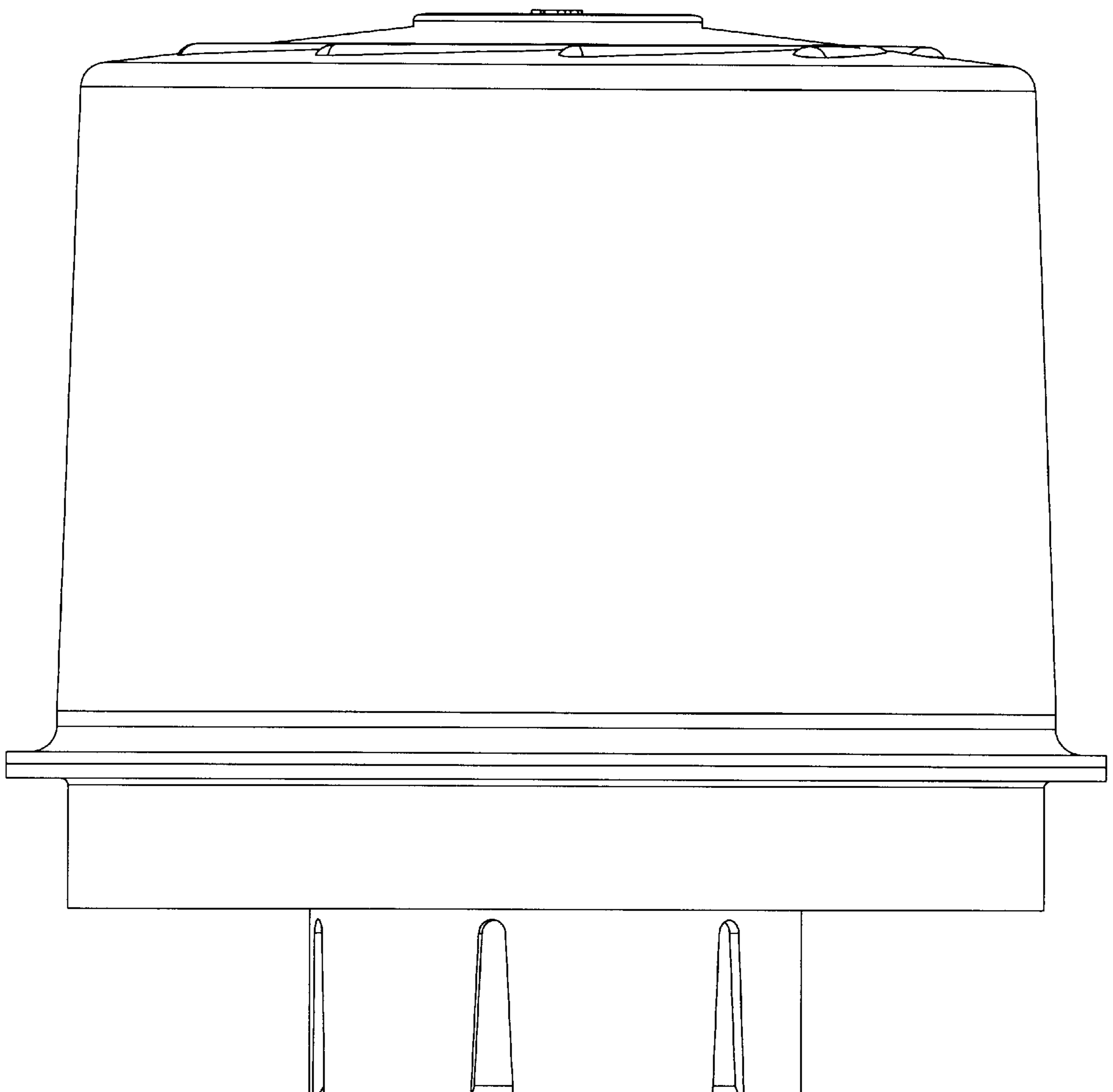


FIG. 4

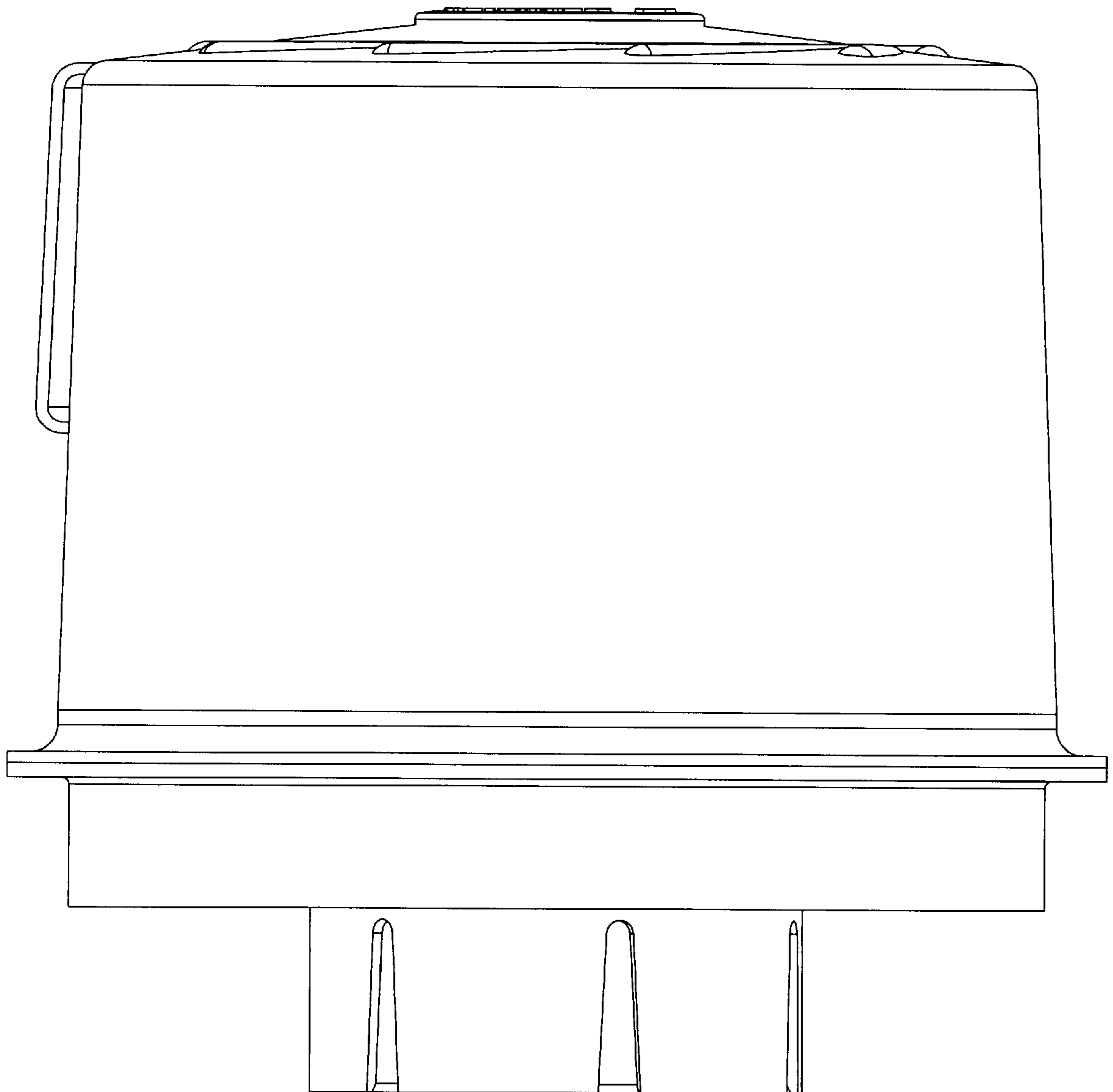


FIG. 5

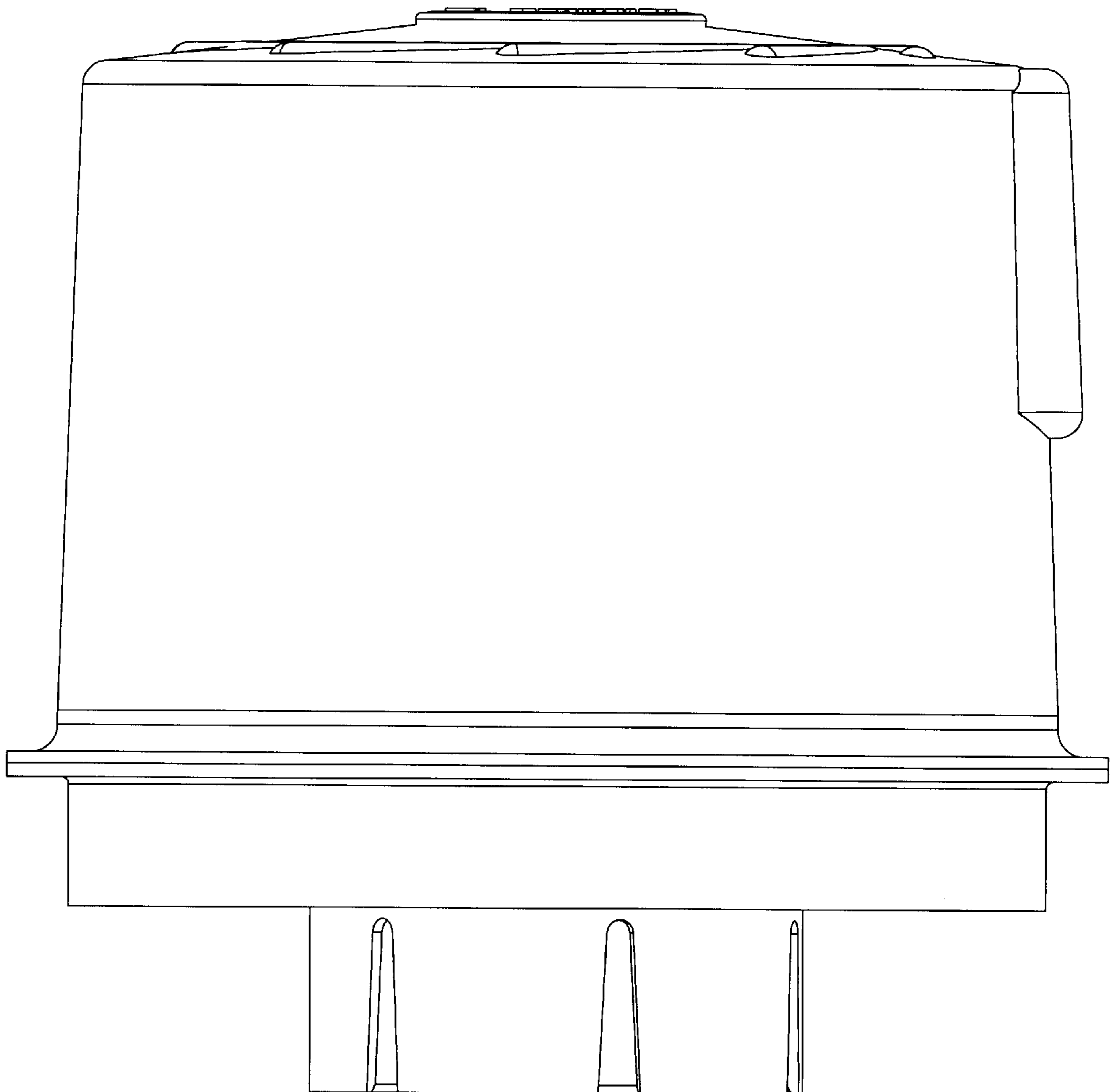


FIG. 6

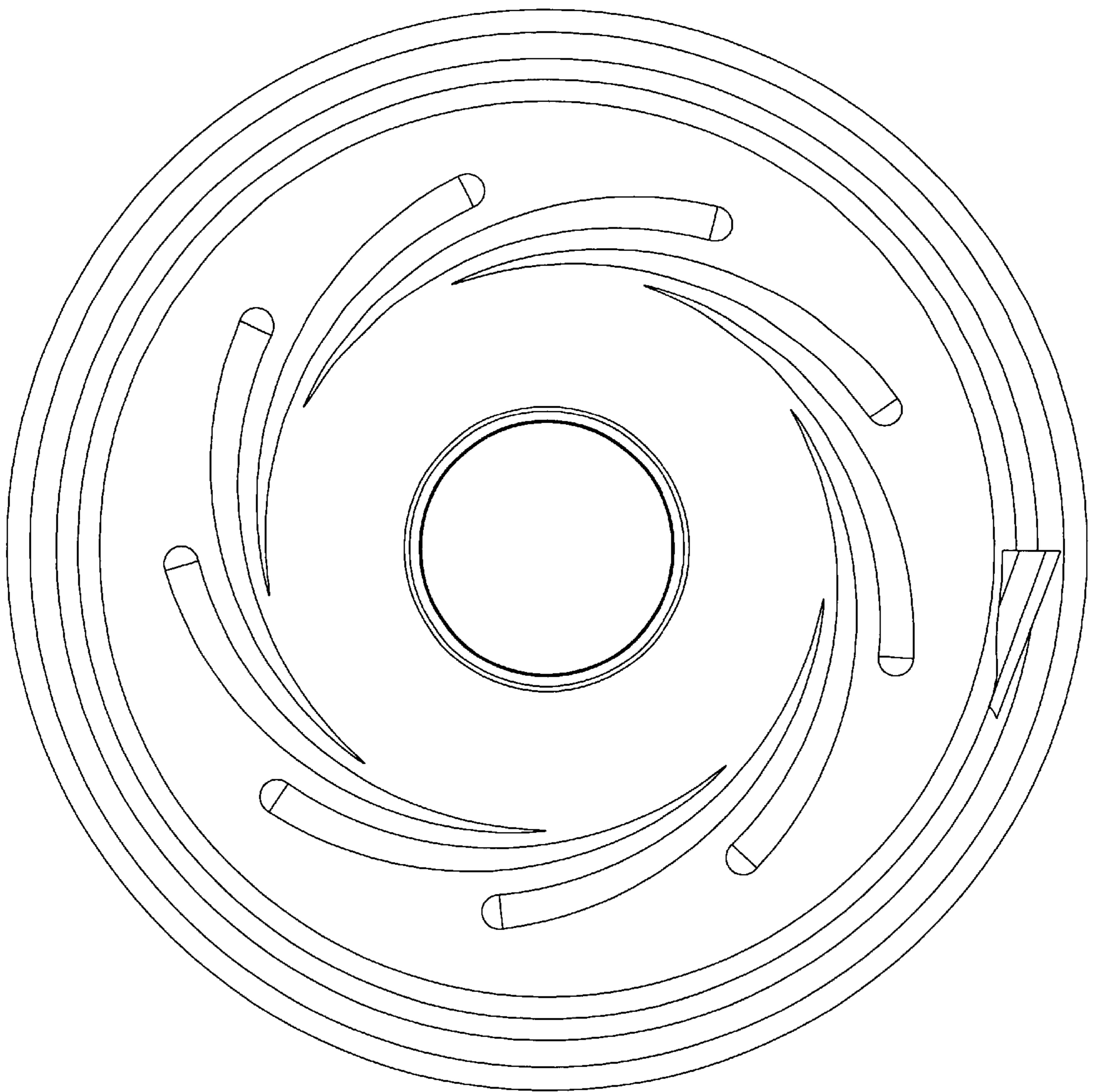


FIG. 7

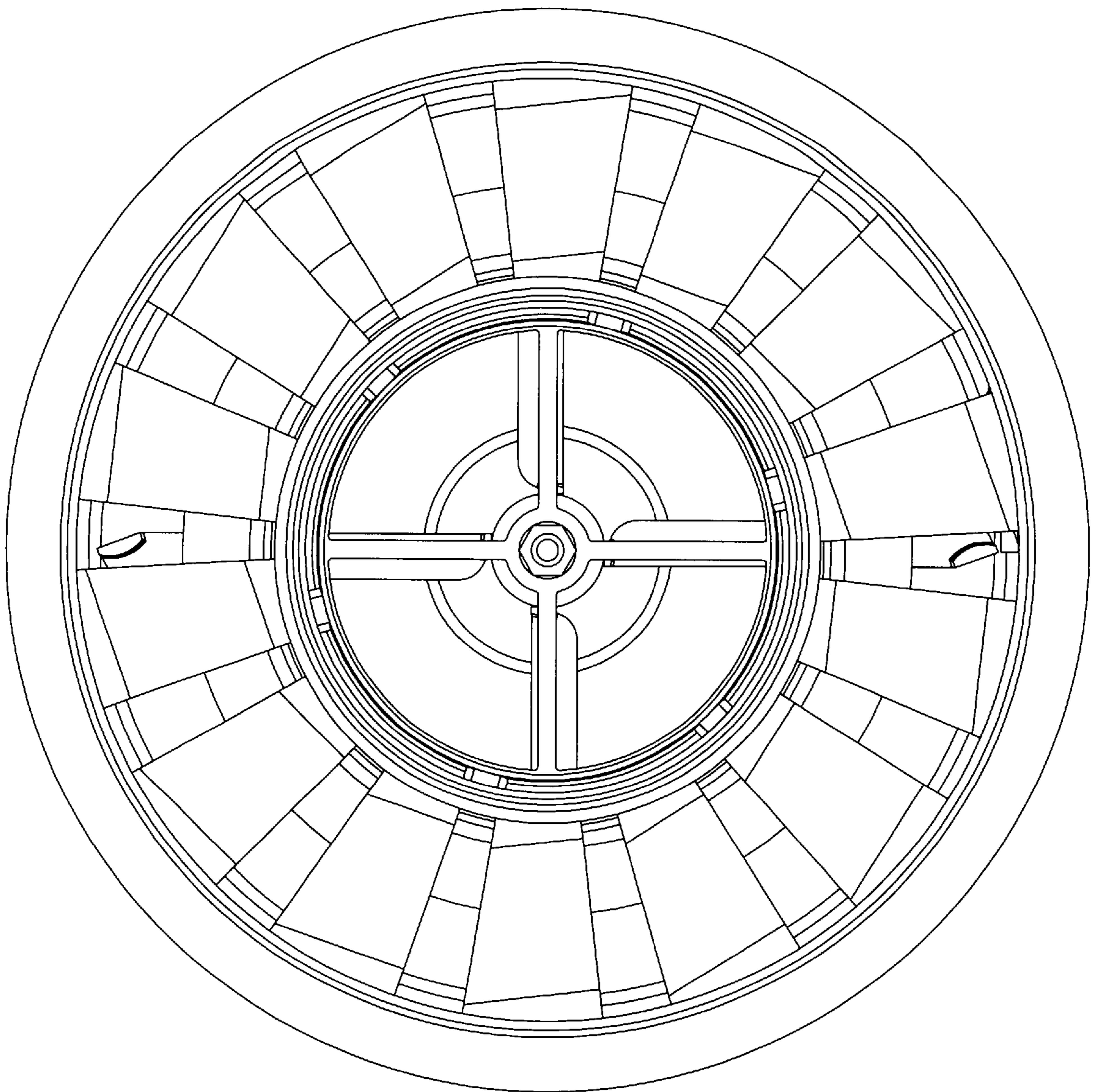


FIG. 8

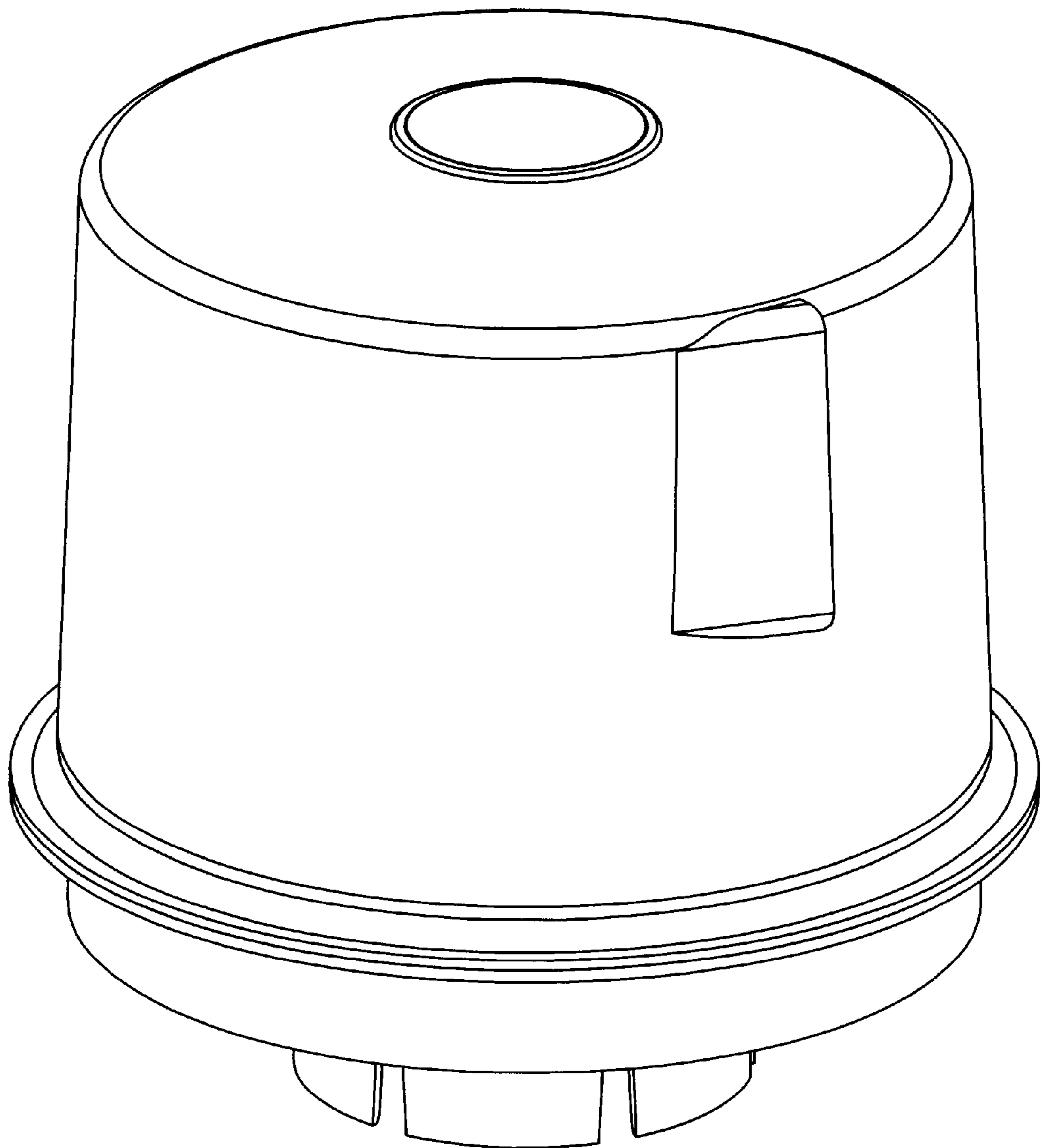


FIG. 9

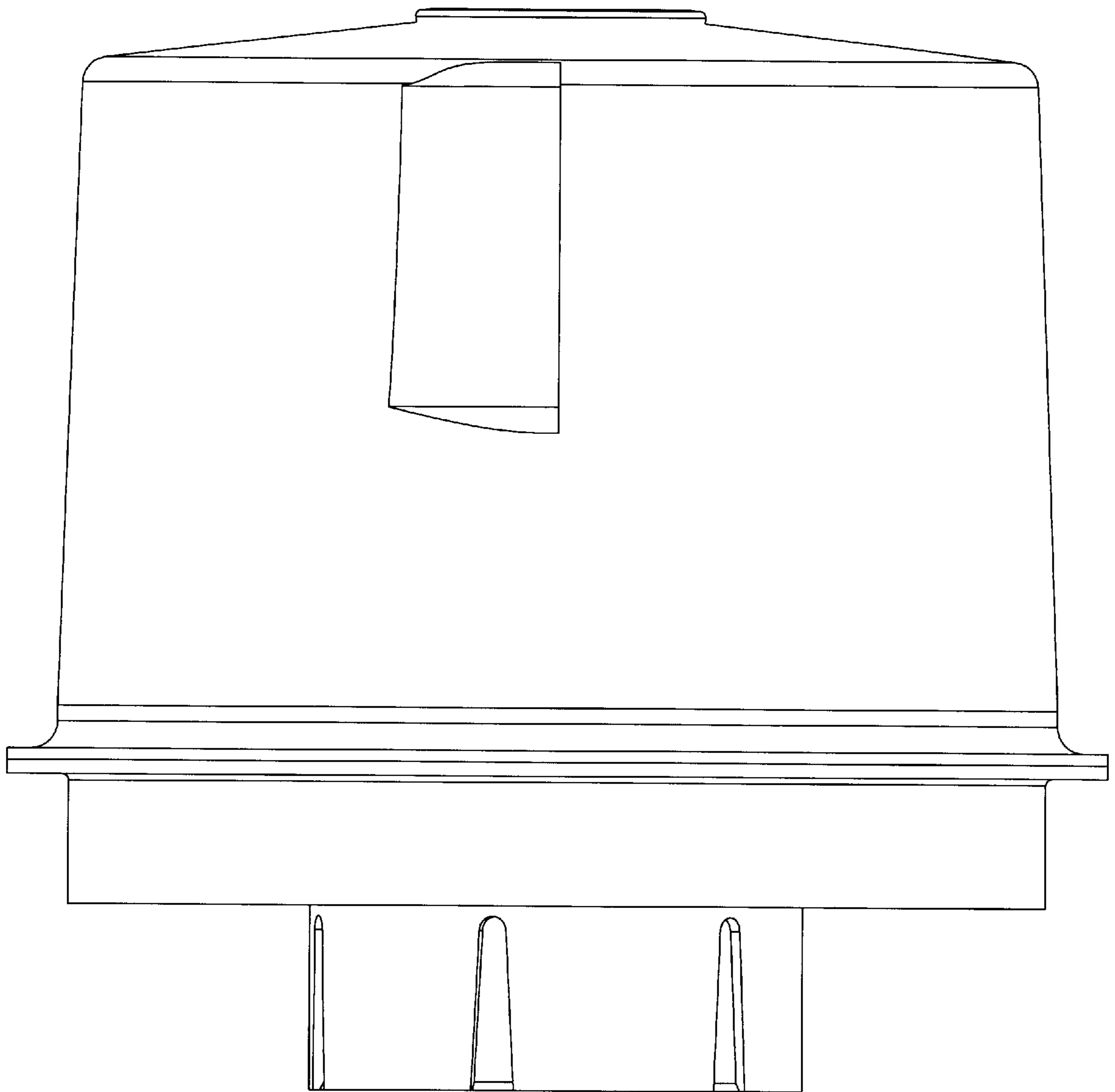


FIG. 10

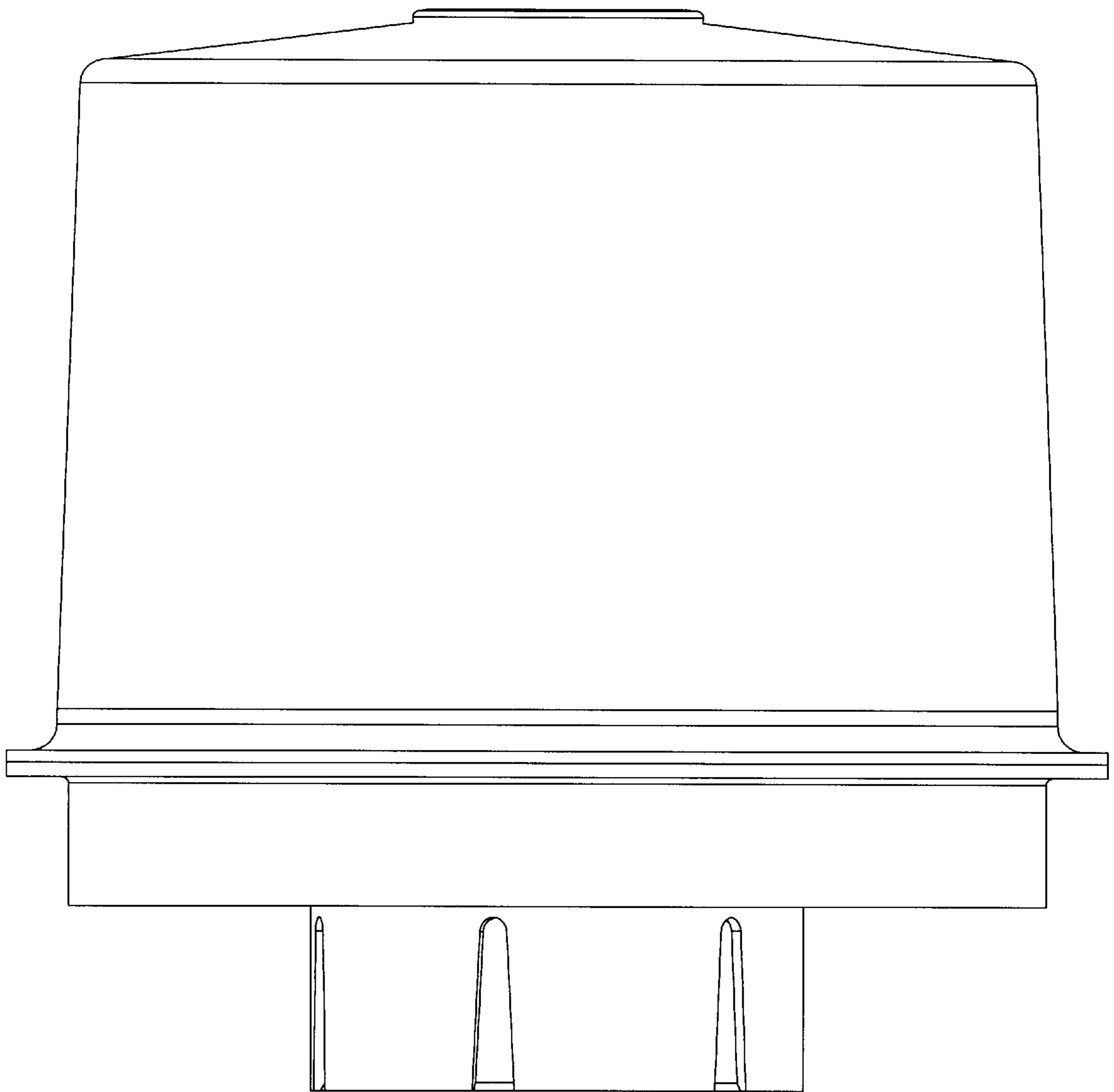


FIG. 11

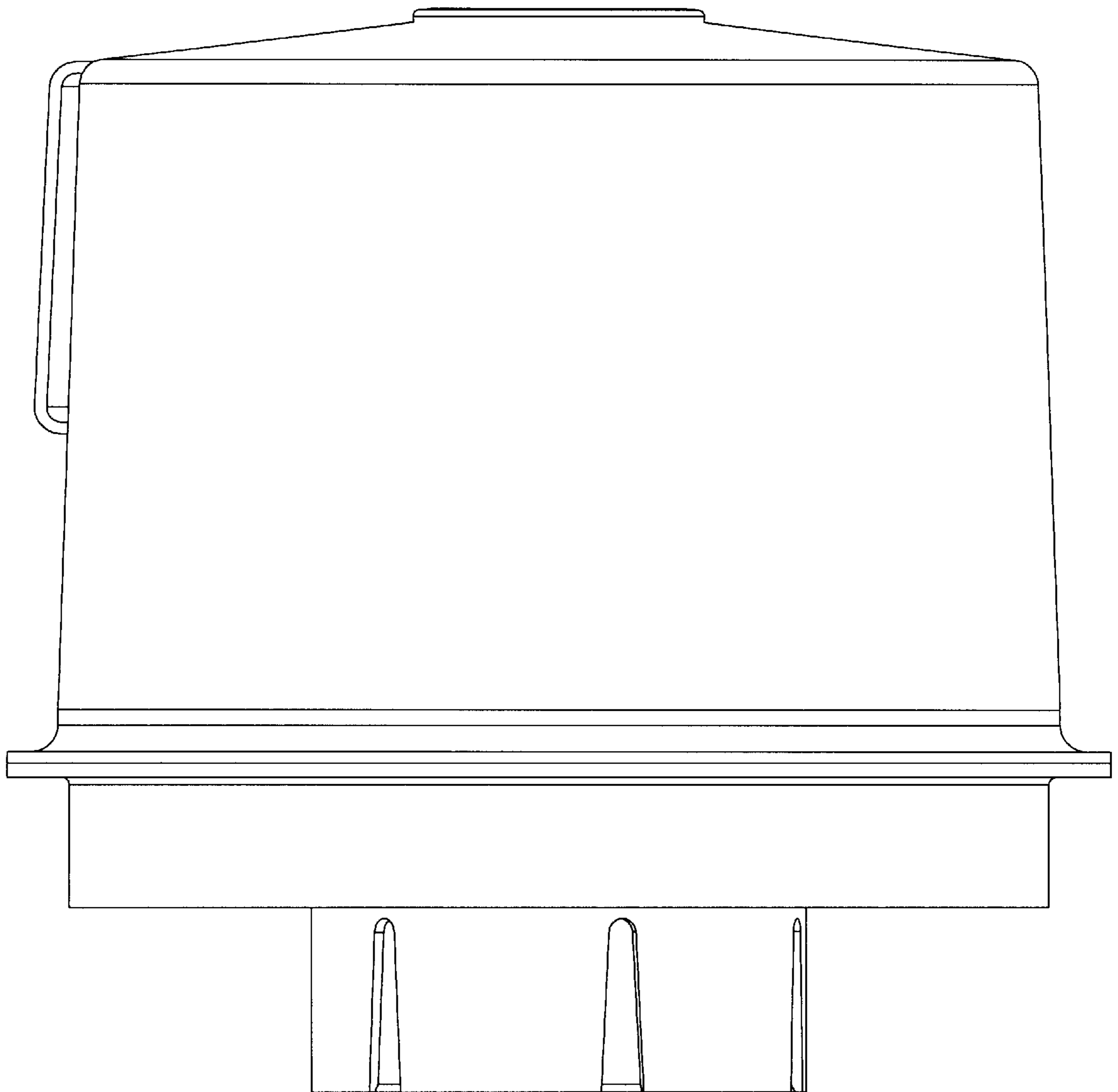


FIG. 12

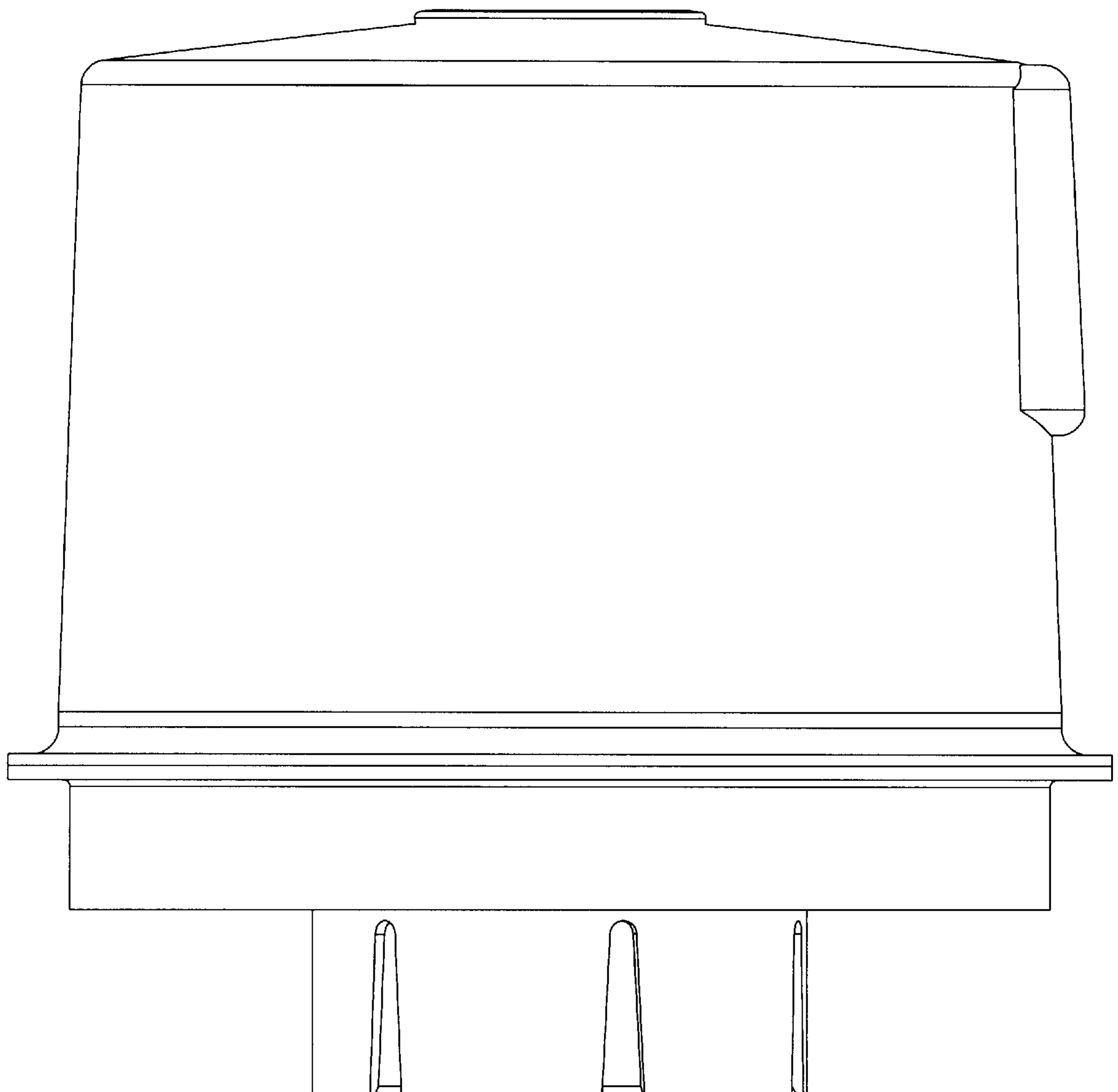


FIG. 13

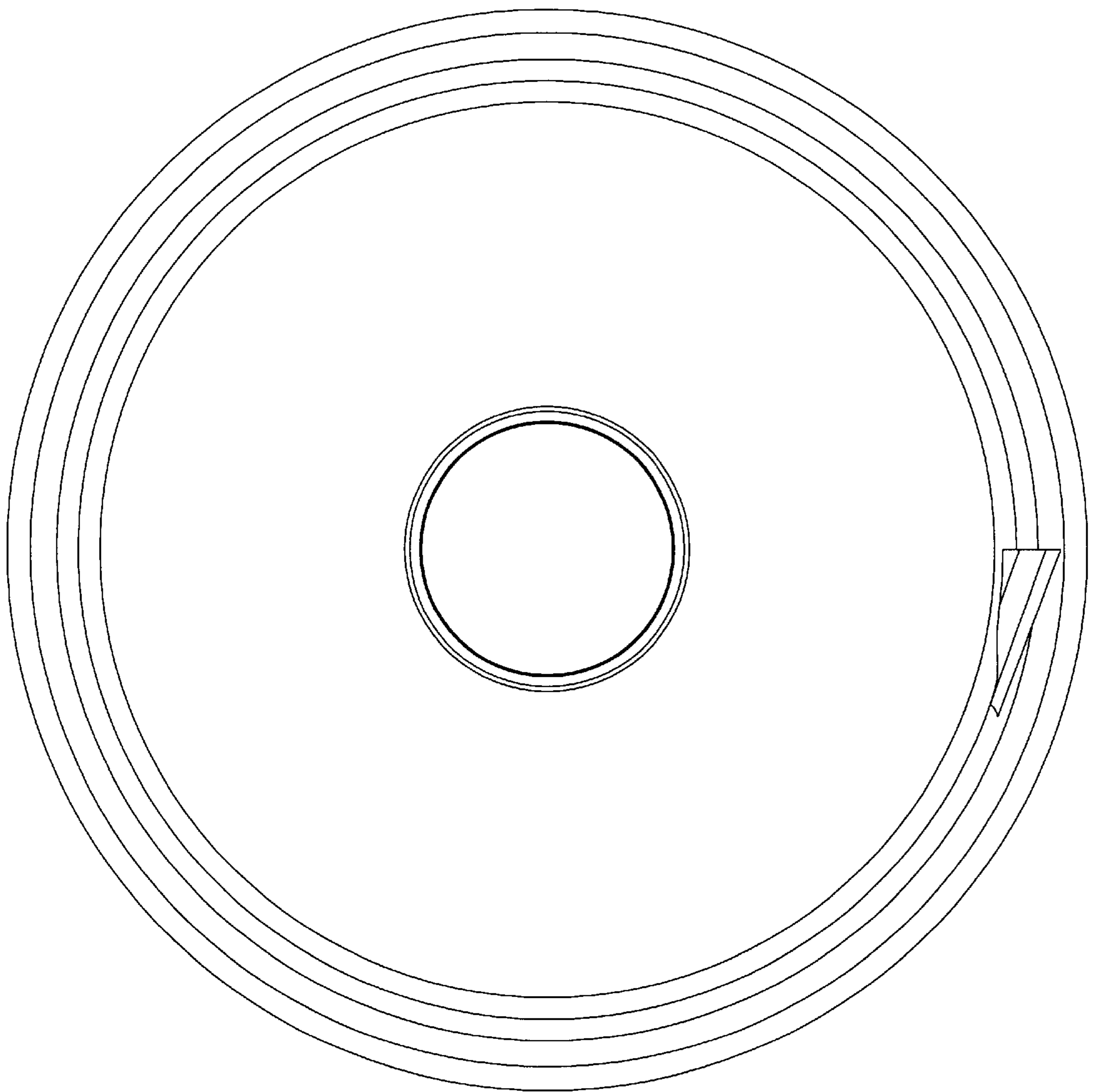


FIG. 14

