



US00D450375B1

(12) **United States Design Patent**
Beichner

(10) **Patent No.:** **US D450,375 S**

(45) **Date of Patent:** **** Nov. 13, 2001**

(54) **BATHING TUB TABLE**

5,823,121 10/1998 Reiter .

(76) Inventor: **Linda M. Beichner**, 249 King Richard Dr., McMurray, PA (US) 15317

FOREIGN PATENT DOCUMENTS

0 028 953 5/1981 (FR) .

(**) Term: **14 Years**

* cited by examiner

(21) Appl. No.: **29/121,962**

Primary Examiner—Ian Simmons

(22) Filed: **Apr. 18, 2000**

Assistant Examiner—Robert A. Delehanty

(51) **LOC (7) Cl.** **23-02**

(74) *Attorney, Agent, or Firm*—David C. Jenkins; Eckert Seamans Cherin & Mellott, LLC

(52) **U.S. Cl.** **D23/304**

(57) **CLAIM**

(58) **Field of Search** D23/270, 271,
D23/273, 303, 277; 4/546, 547, 548, 551,
559, 571.1–575.1, 578.1, 605, 612, 614;
D6/480, 486, 509

The ornamental design for a bathing tub table, as shown and described.

DESCRIPTION

(56) **References Cited**

FIG. 1 is a perspective view of the bathing tub table of the present invention;

U.S. PATENT DOCUMENTS

FIG. 2 is a front elevation thereof;

- 145,145 12/1873 Baggs .
- D. 267,272 * 12/1982 Doman et al. D23/277 X
- 339,741 4/1886 Clough .
- 351,649 10/1886 Newman .
- D. 436,270 * 1/2001 Kane D6/486
- 797,990 8/1905 Treichel .
- 4,656,678 4/1987 Lipski .
- 4,724,773 2/1988 Newberry et al. .
- 4,901,998 * 2/1990 Griffith D6/486 X
- 5,105,485 4/1992 Sciabarassi .
- 5,353,716 10/1994 Wilbert .
- 5,572,750 11/1996 Johnston .

FIG. 3 is a rear elevation thereof;

FIG. 4 is a right-side elevation thereof; and

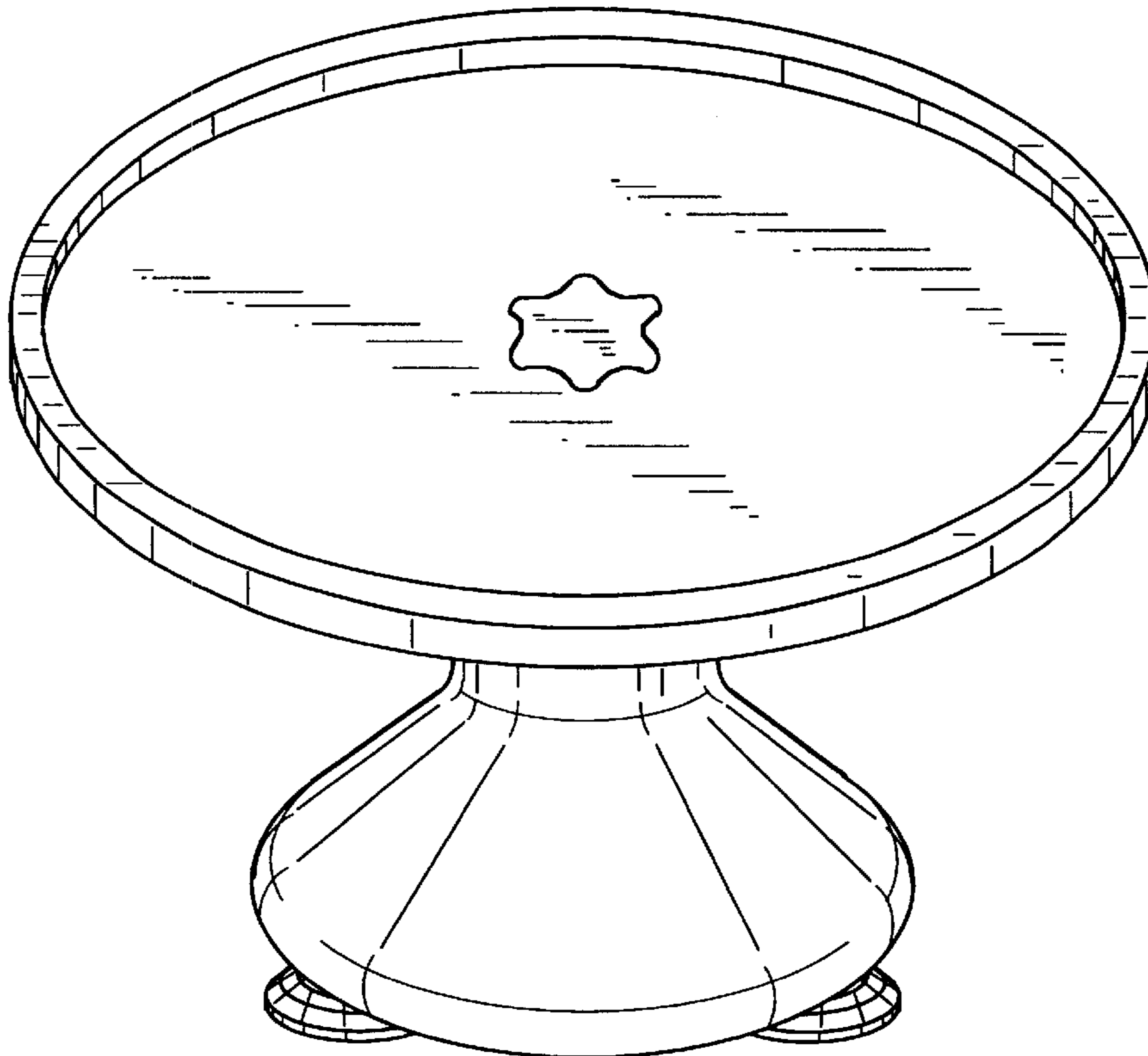
FIG. 5 is a left-side elevation thereof.

FIG. 6 is a top plan view thereof; and,

FIG. 7 is a bottom plan view thereof.

The bathing tub table of the present invention is designed to be used primarily in a bathing environment for supporting objects such as toys, toiletries, grooming utensils and the like.

1 Claim, 5 Drawing Sheets



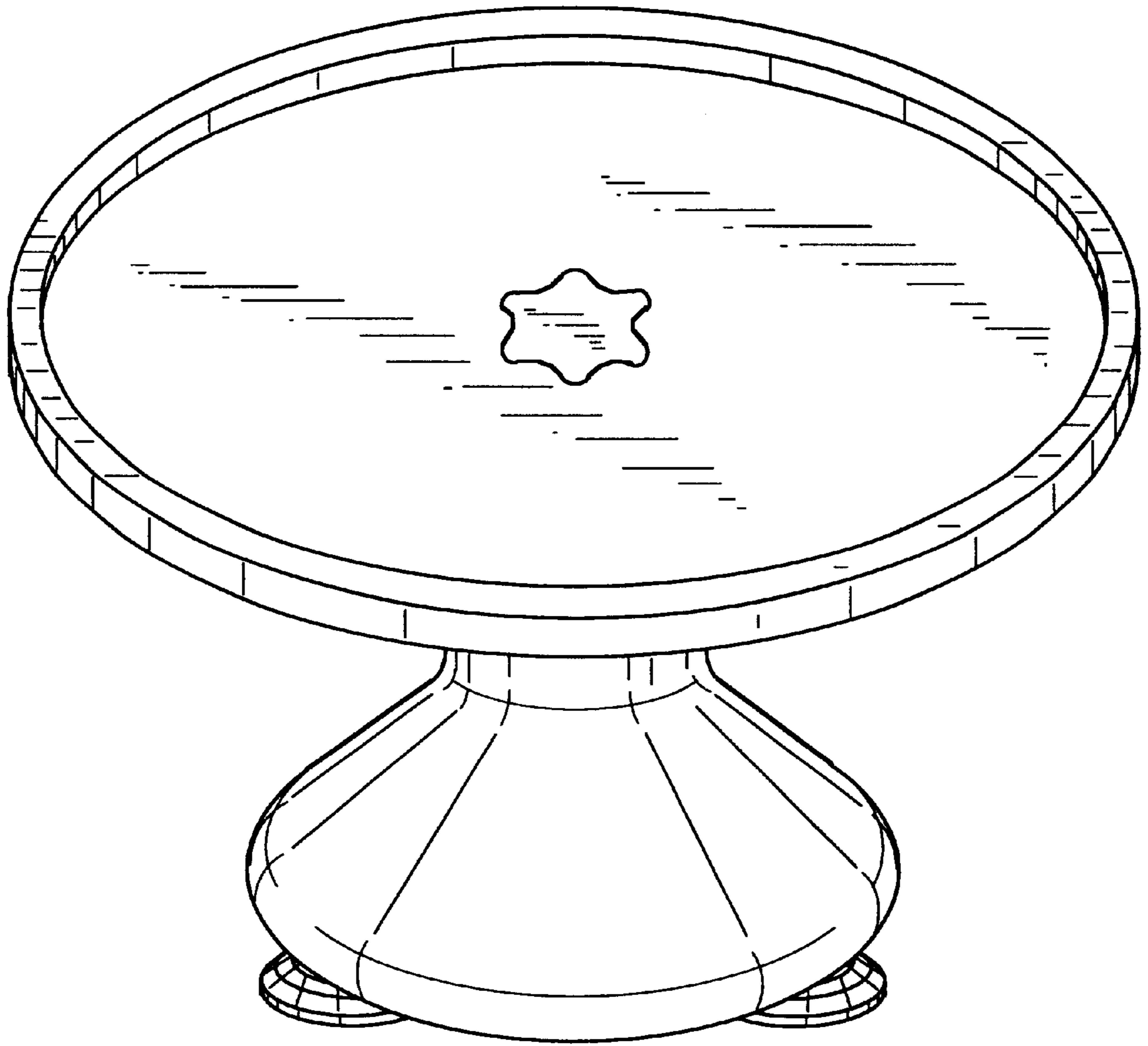


FIG. 1

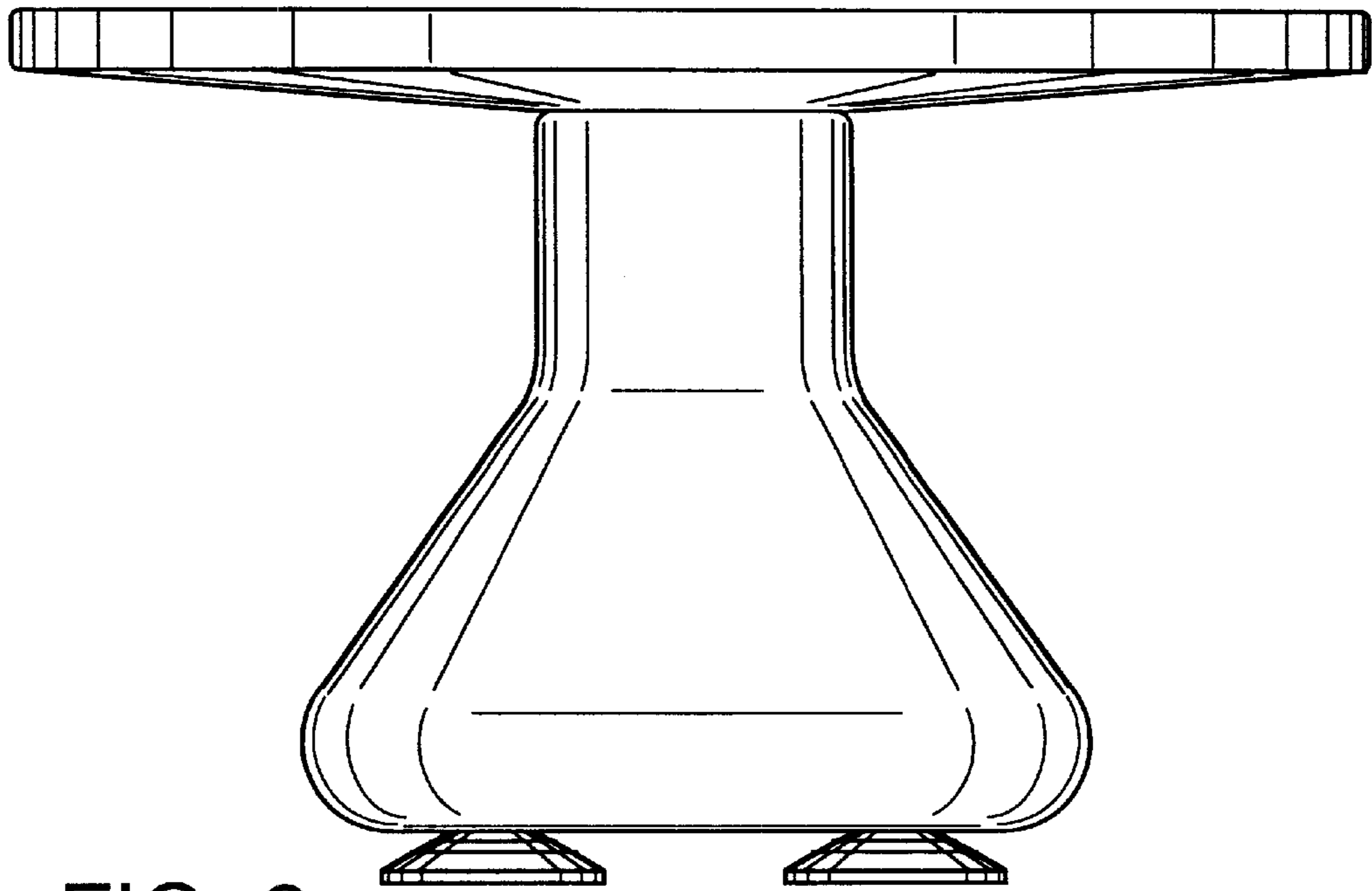


FIG. 2

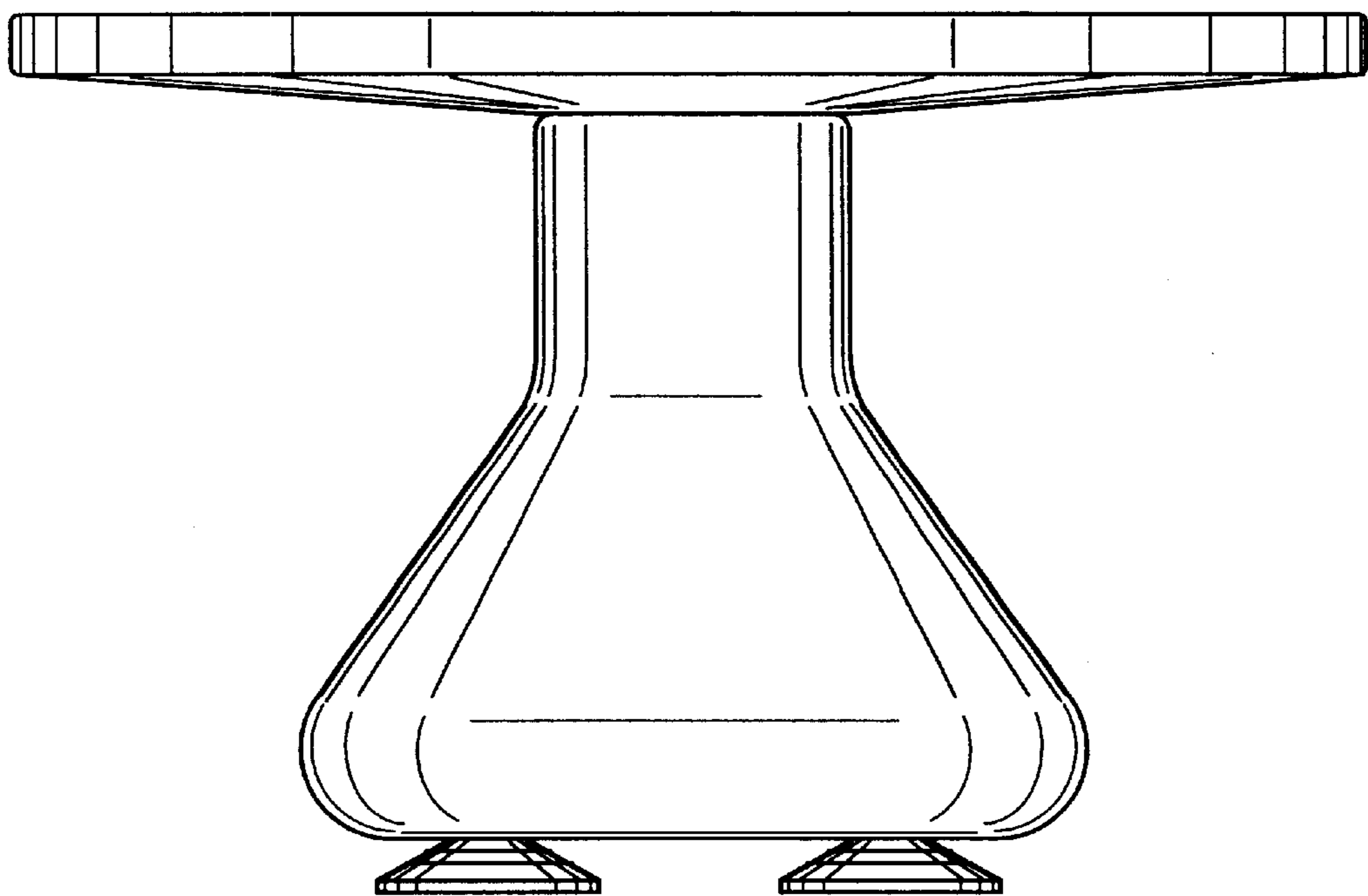


FIG. 3

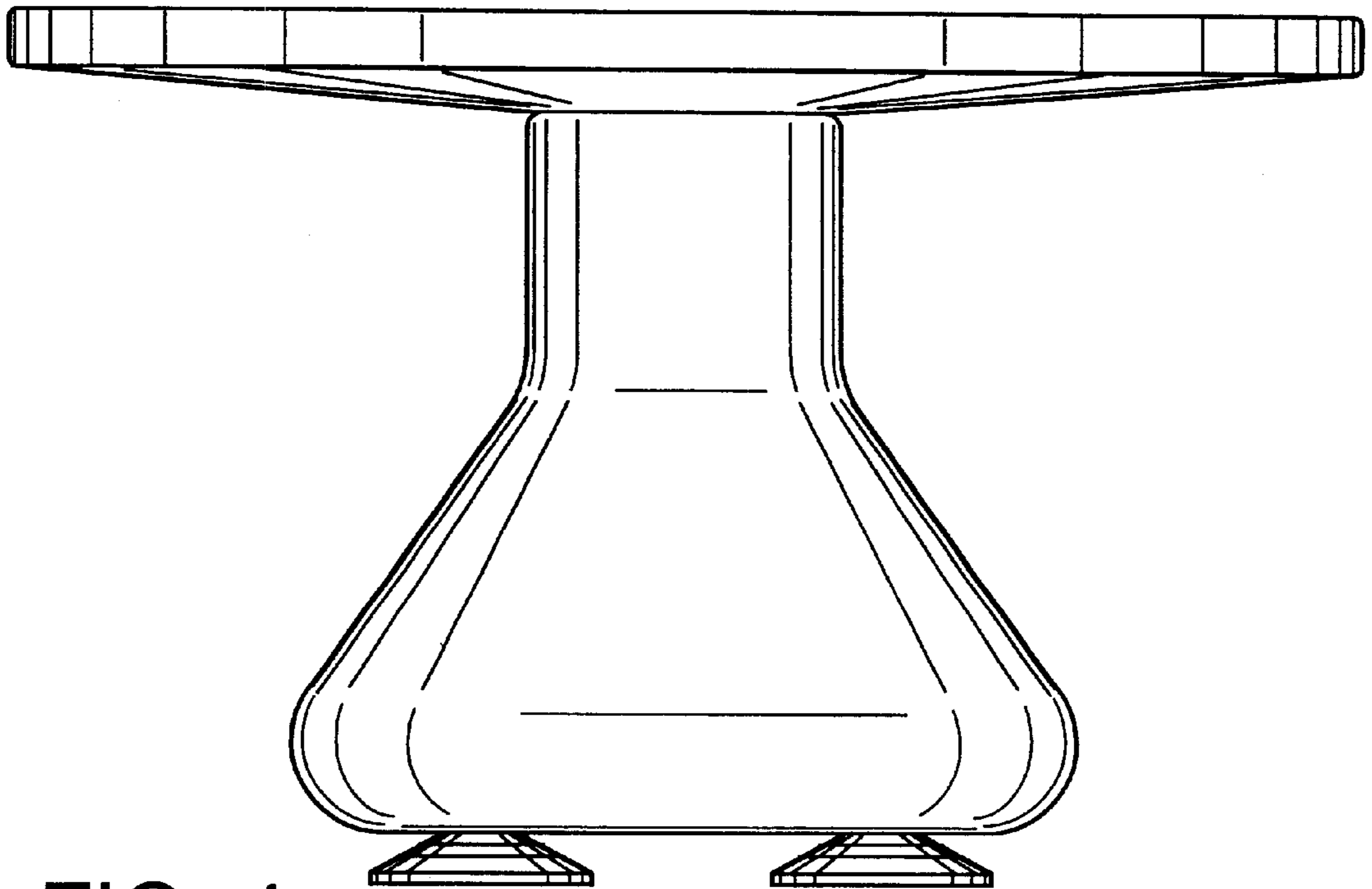


FIG. 4

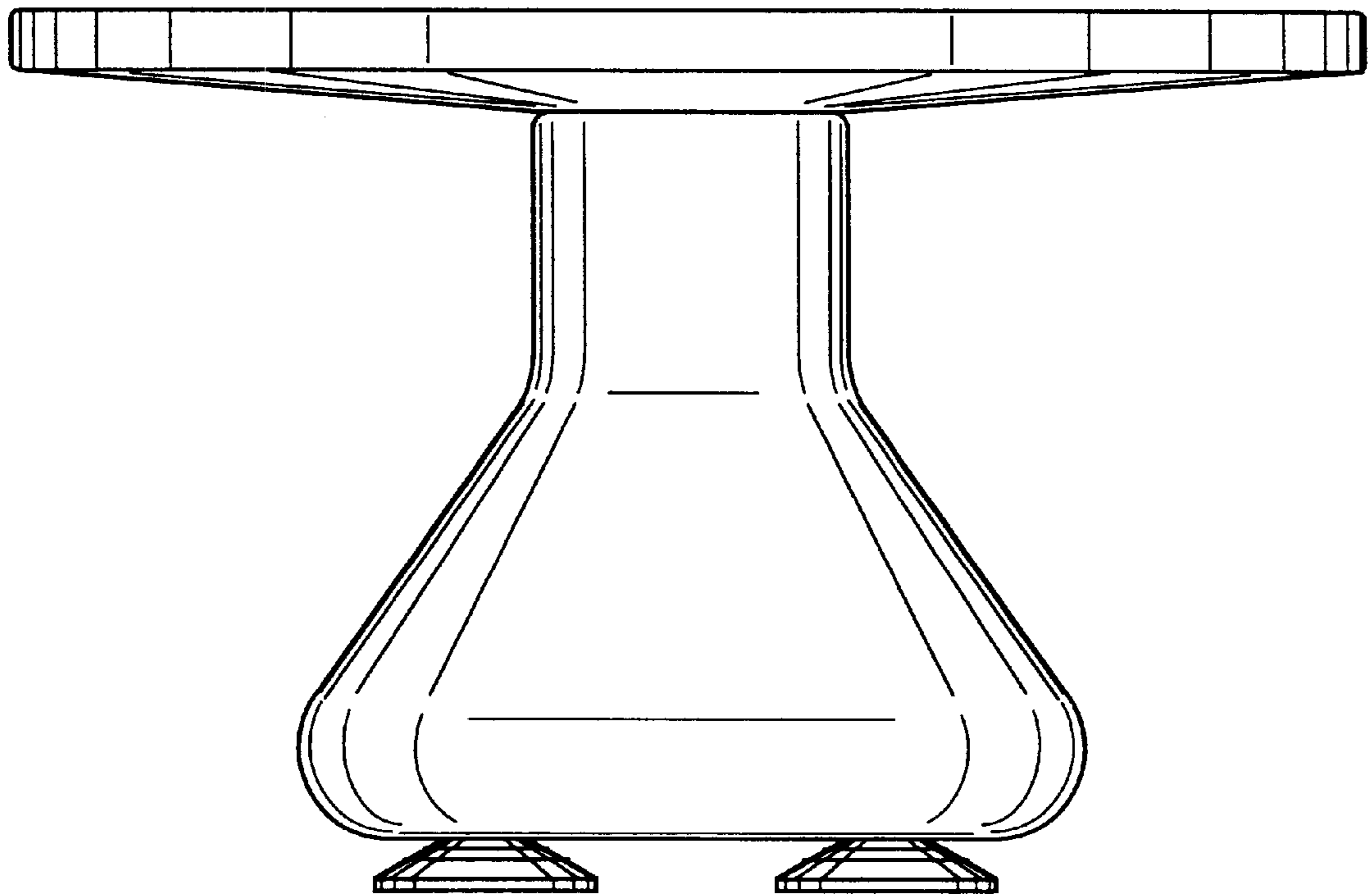


FIG. 5

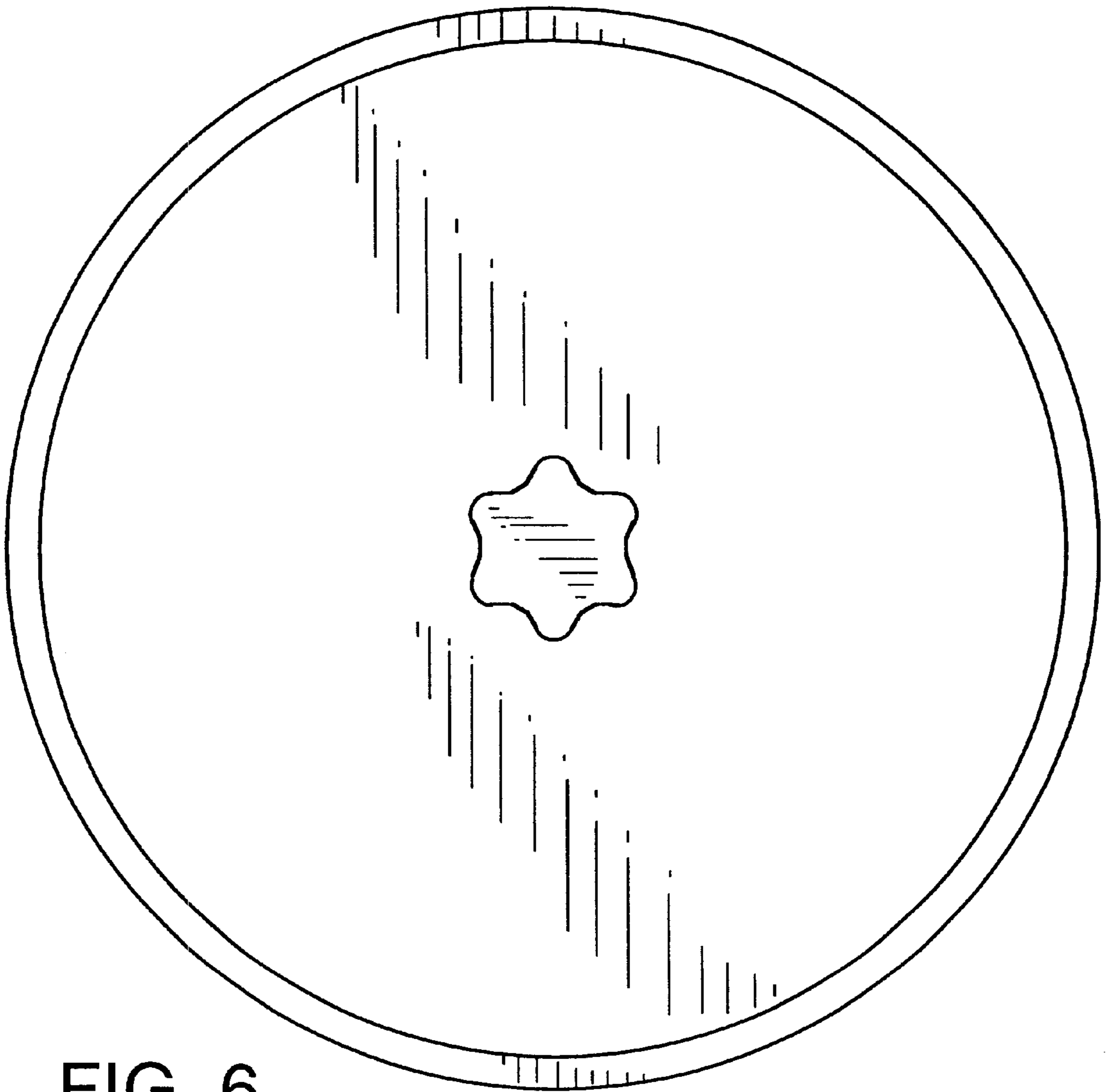


FIG. 6

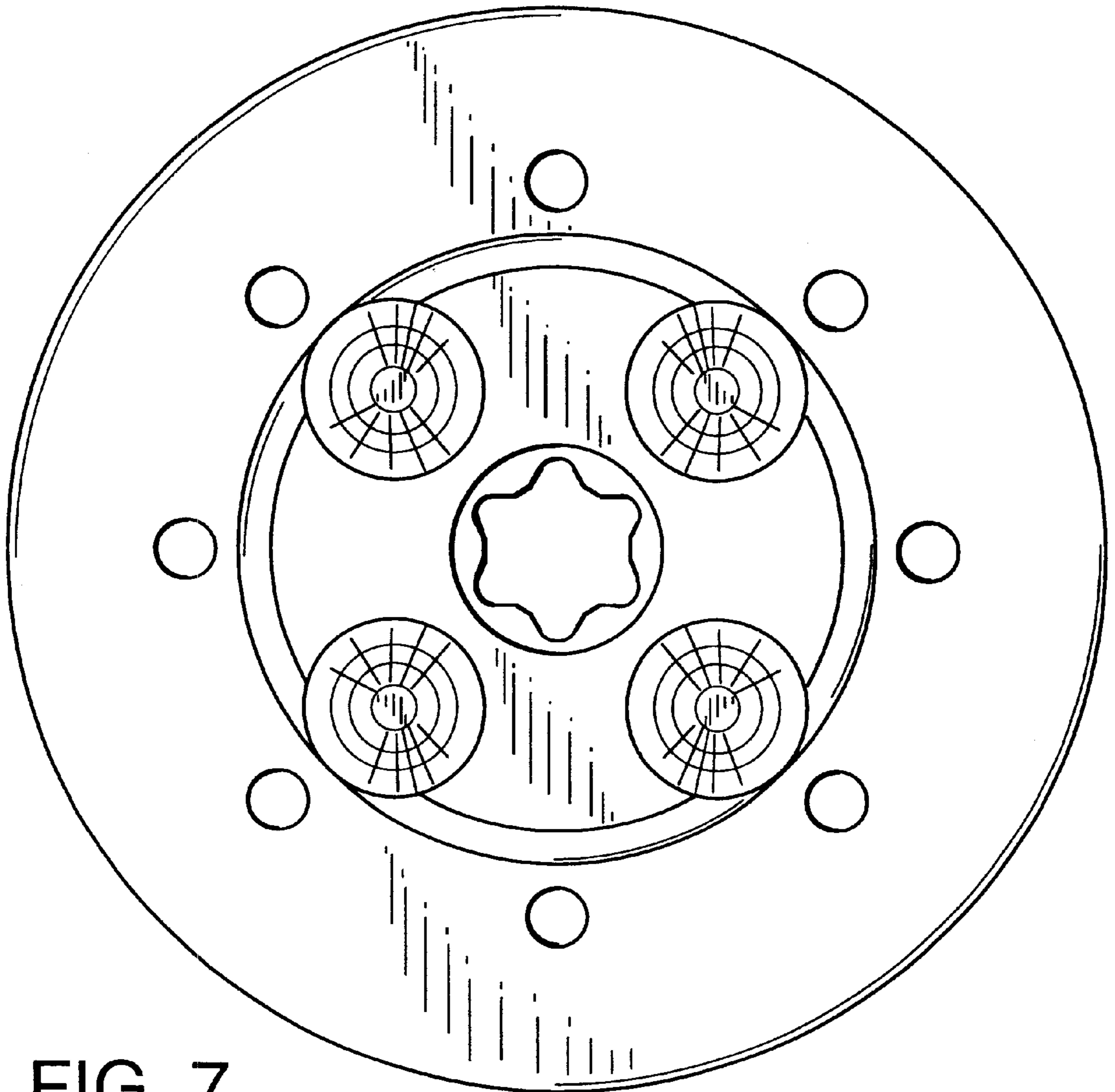


FIG. 7