



US00D450373B1

(12) **United States Design Patent**  
**Gottwald**

(10) **Patent No.:** **US D450,373 S**

(45) **Date of Patent:** **\*\* Nov. 13, 2001**

(54) **FAUCET HANDLE**

(75) Inventor: **Adolf Gottwald**, Iserlohn (DE)

(73) Assignee: **Friedrich Grohe AG**, Hemer (DE)

(\*\*) Term: **14 Years**

(21) Appl. No.: **29/141,114**

(22) Filed: **Apr. 29, 2001**

(30) **Foreign Application Priority Data**

Nov. 24, 2000 (DE) ..... 4 00 11 047

(51) **LOC (7) Cl.** ..... **23-01**

(52) **U.S. Cl.** ..... **D23/252; D23/254**

(58) **Field of Search** ..... D23/238-243,  
D23/249-254; D8/300-312, 350-353, DIG. 2;  
4/675-678; 16/11, 12; 137/801

(56) **References Cited**

**U.S. PATENT DOCUMENTS**

D. 127,736 \* 6/1941 Dreyfuss ..... D23/253

D. 182,307 \* 4/1958 Dargene ..... D8/307  
D. 339,851 \* 9/1993 Jans ..... D23/252

\* cited by examiner

*Primary Examiner*—Louis S. Zarfes

*Assistant Examiner*—Gregory Andoll

(74) *Attorney, Agent, or Firm*—Herbert Dubno

(57) **CLAIM**

The ornamental design for a faucet handle, as shown and described.

**DESCRIPTION**

FIG. 1 is a top, front, right-side perspective view of a faucet handle showing my new design;

FIG. 2 is an inverted front elevational view thereof;

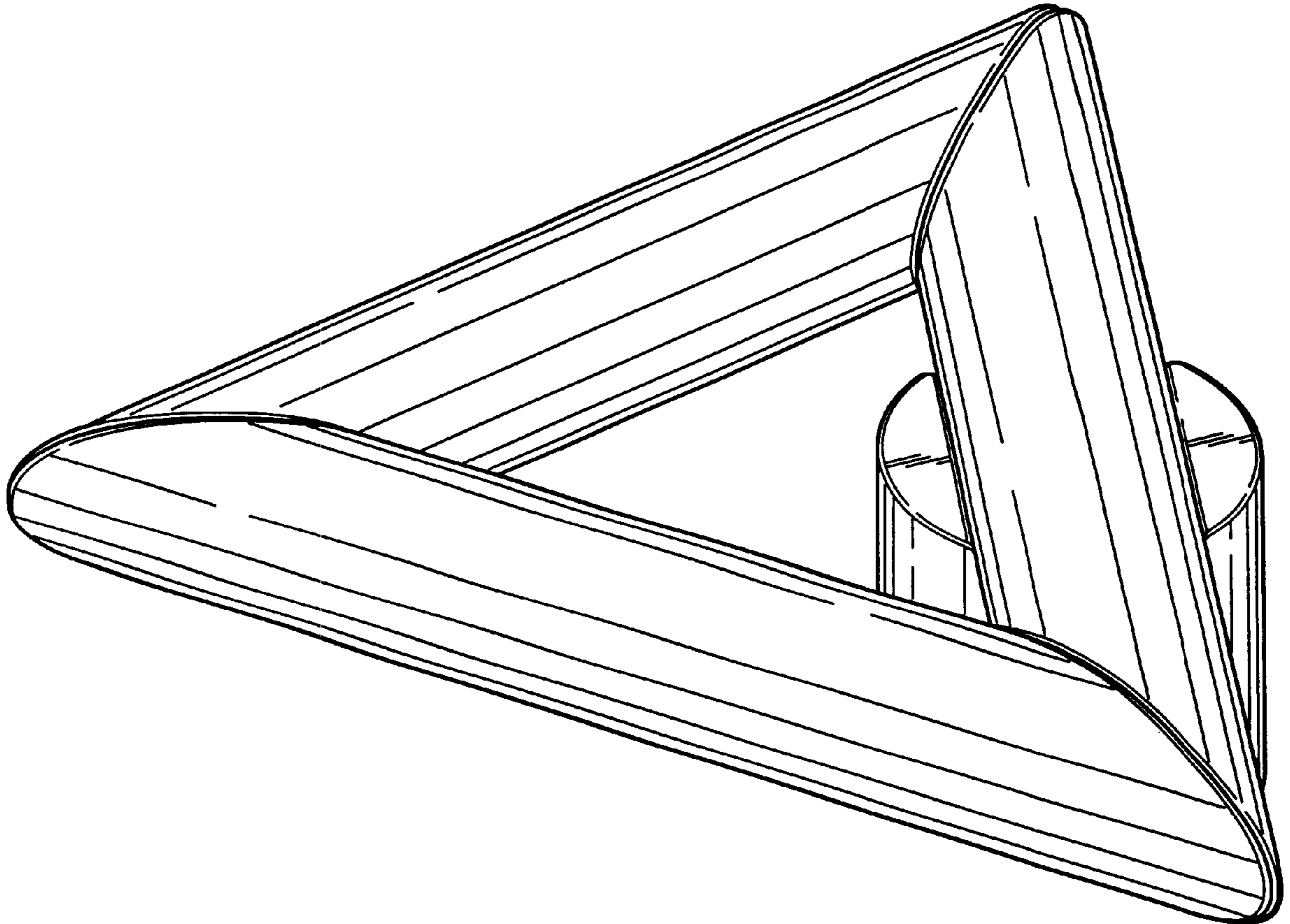
FIG. 3 is a top plan view thereof;

FIG. 4 is a rear elevational view thereof;

FIG. 5 is a right side elevational view thereof, the left side view being mirror symmetrical thereto; and,

FIG. 6 is a bottom plan view thereof.

**1 Claim, 3 Drawing Sheets**



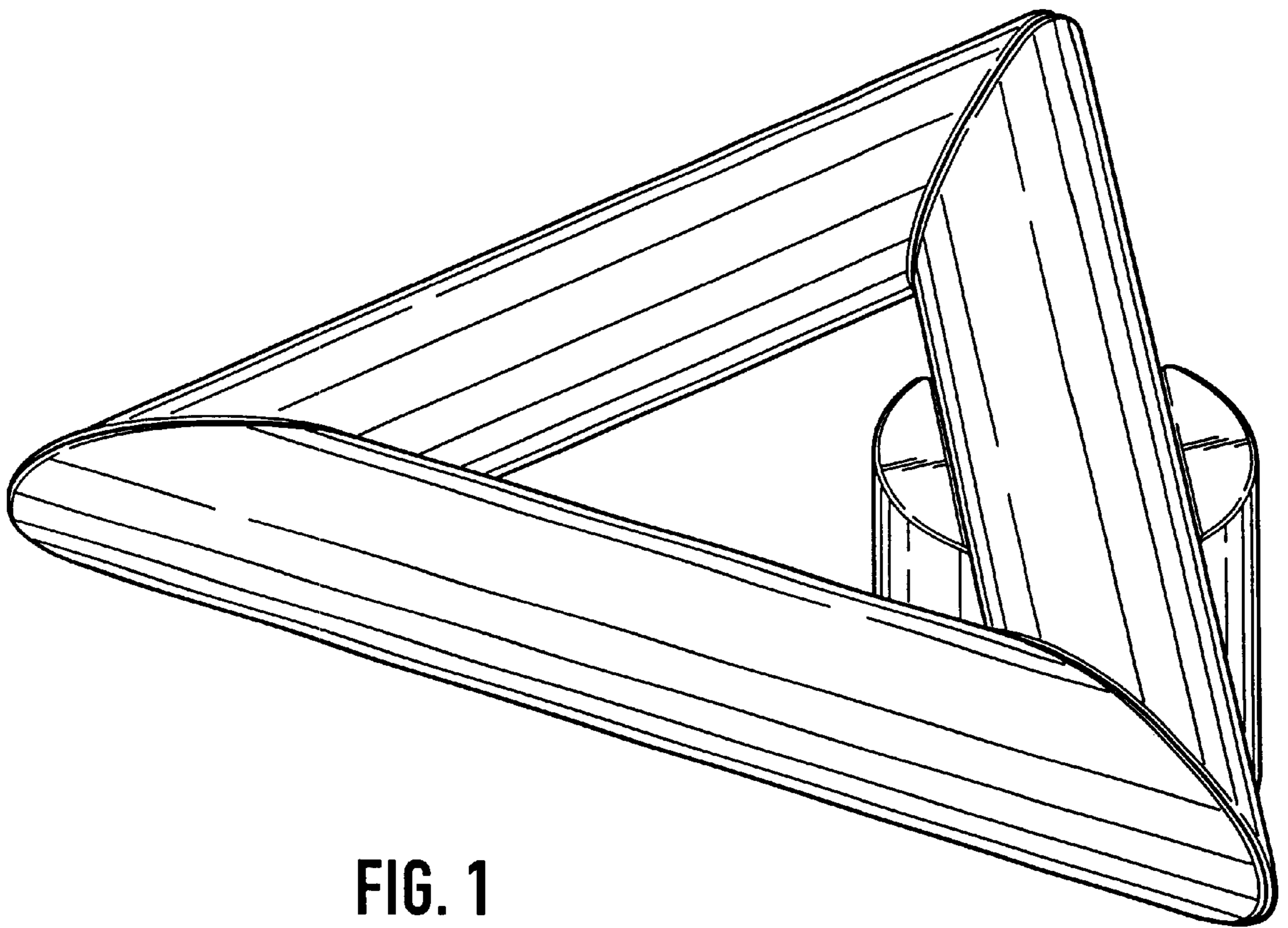


FIG. 1

FIG. 2

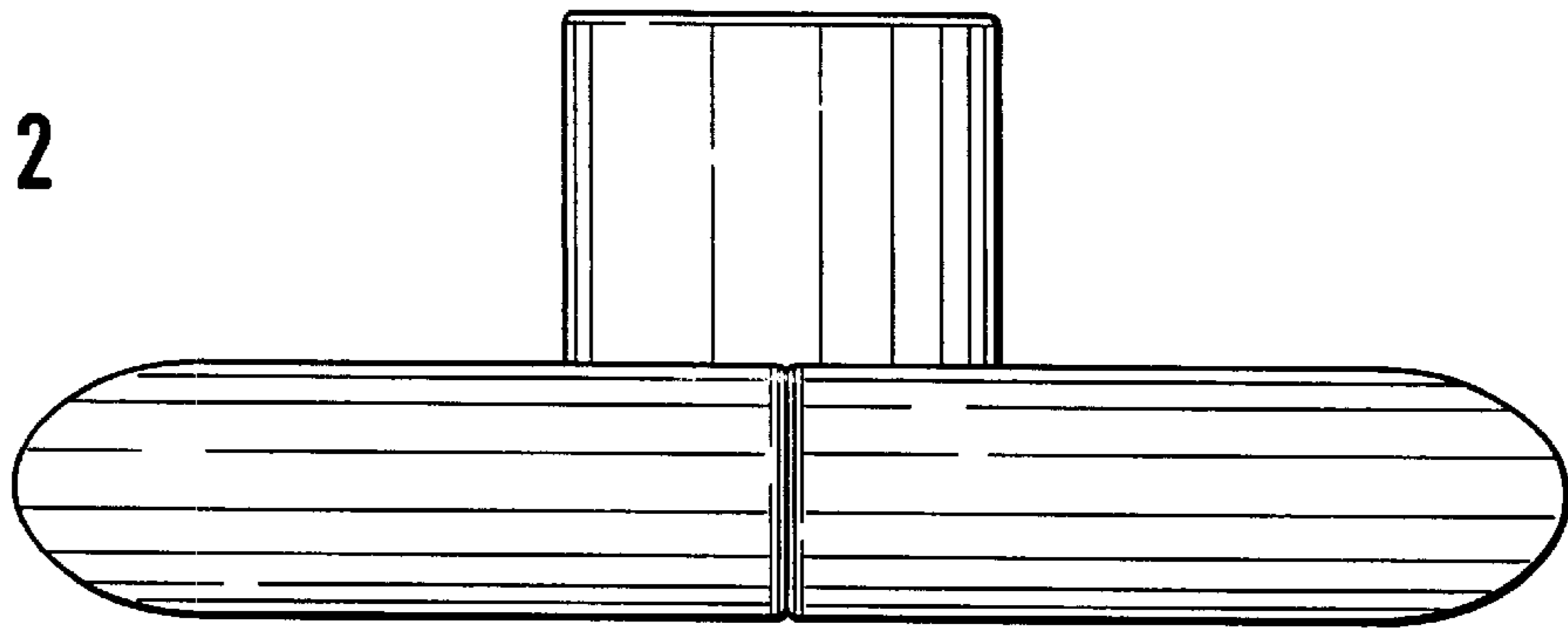


FIG. 3

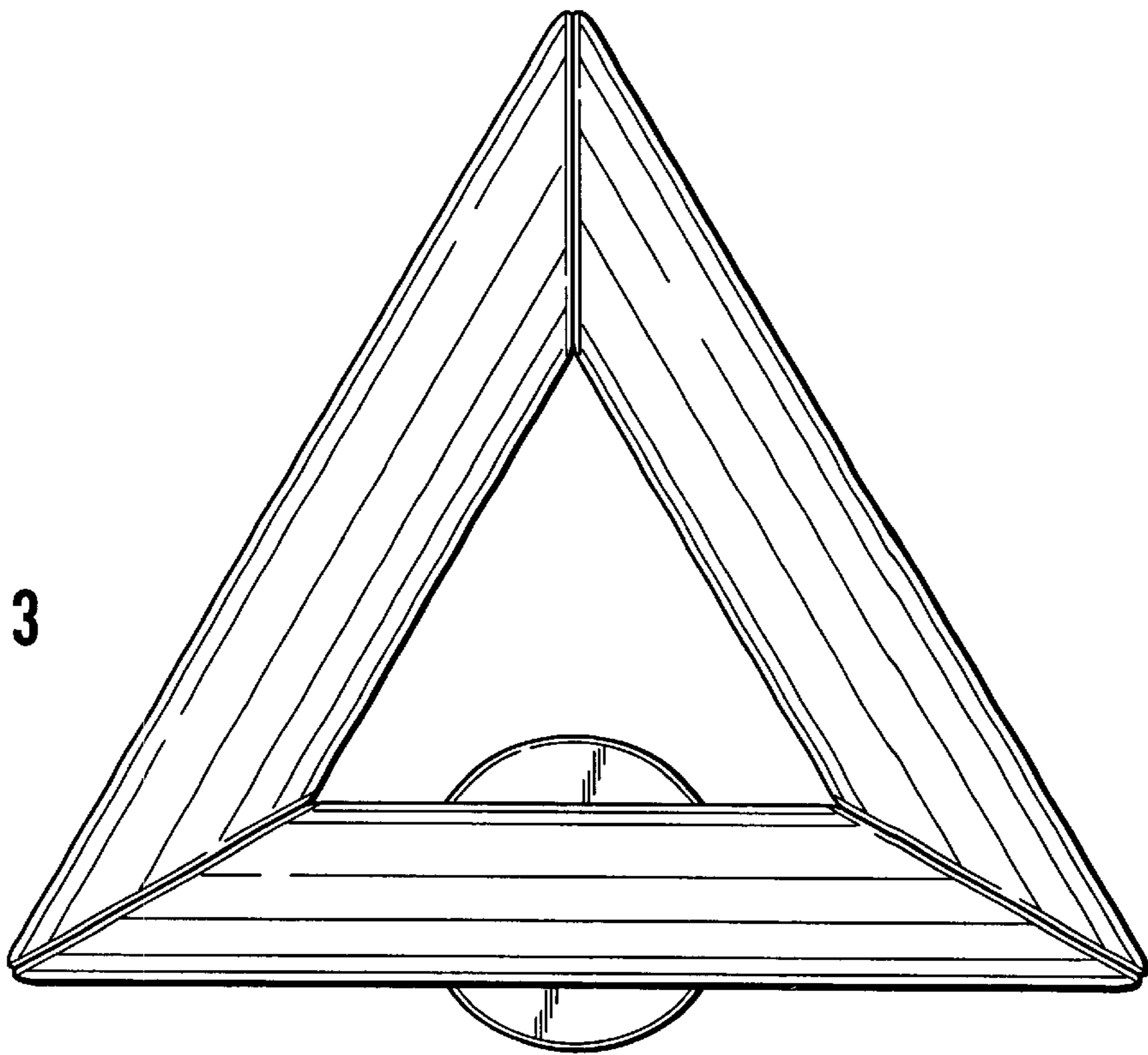
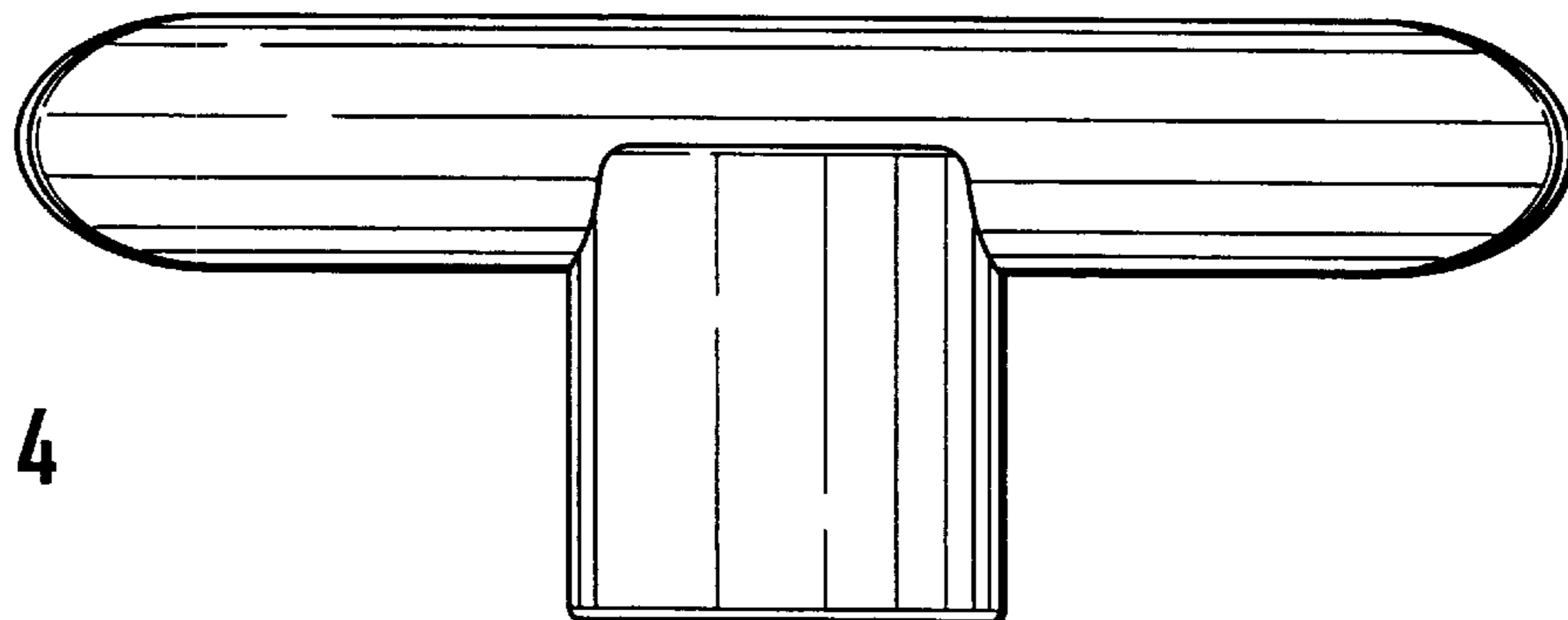


FIG. 4



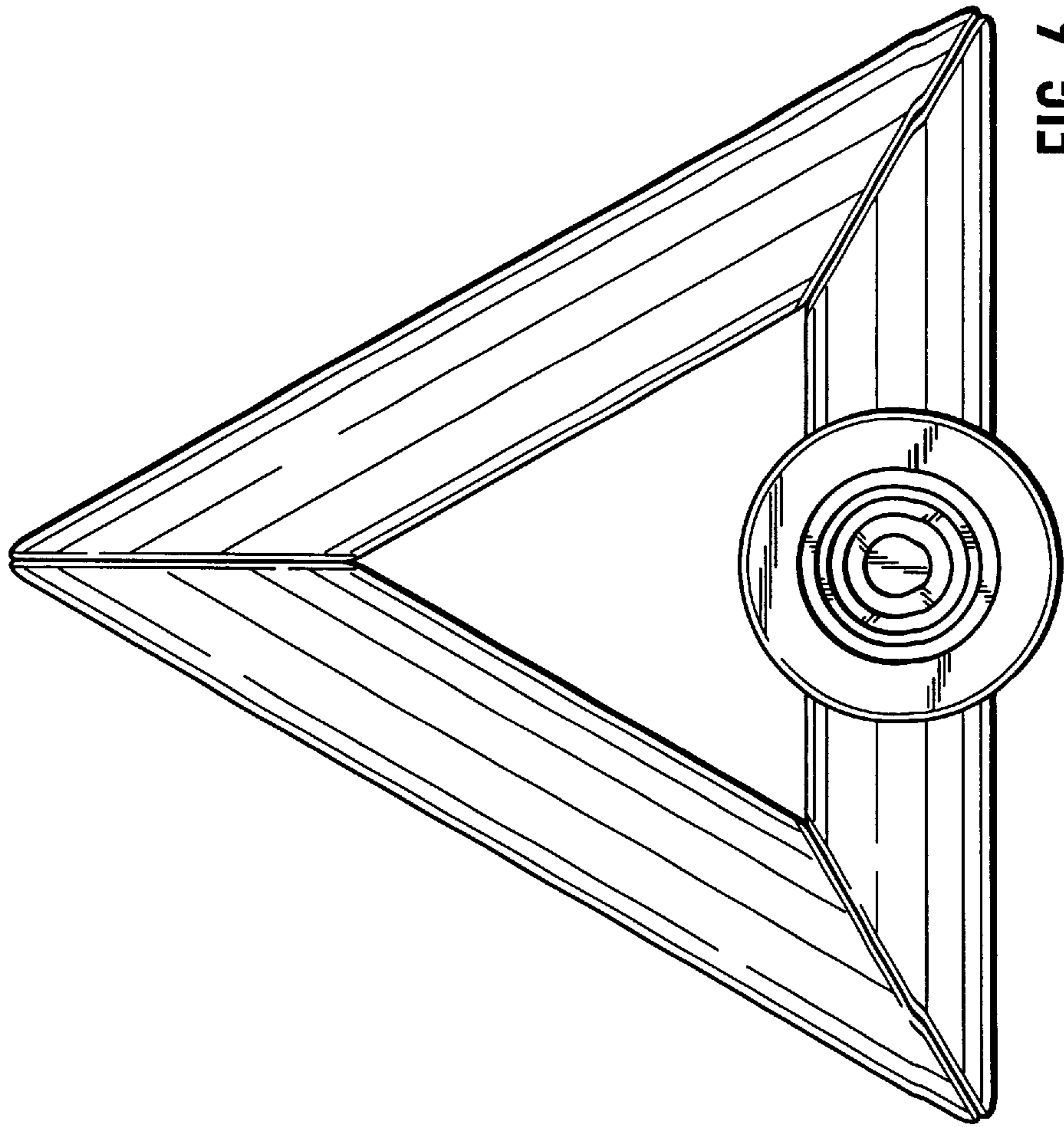


FIG. 6

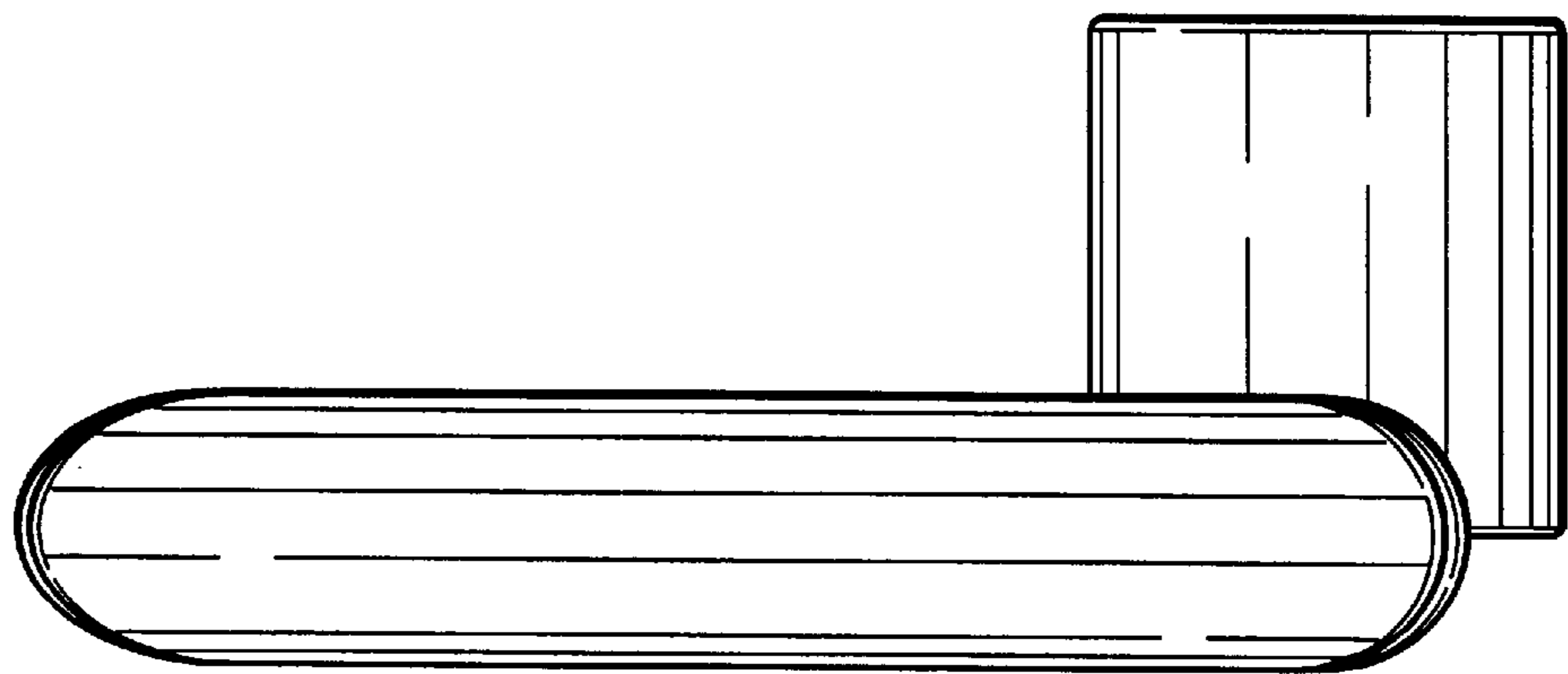


FIG. 5