



US00D450371B1

(12) **United States Design Patent**  
**Liao**

(10) **Patent No.:** **US D450,371 S**

(45) **Date of Patent:** **\*\* Nov. 13, 2001**

(54) **AIRBRUSH**

5,832,974 \* 11/1998 Jou ..... 239/291

(76) Inventor: **Cheng Liao**, No. 359, Bu-Tzu Lane,  
Pei-Tun Area, Taichung City (TW)

\* cited by examiner

(\*\*) Term: **14 Years**

*Primary Examiner*—Robin V. Taylor

(74) *Attorney, Agent, or Firm*—Bacon & Thomas, PLLC

(21) Appl. No.: **29/136,076**

(57) **CLAIM**

(22) Filed: **Jan. 25, 2001**

The ornamental design for an airbrush, as shown and described.

(51) **LOC (7) Cl.** ..... **23-01**

**DESCRIPTION**

(52) **U.S. Cl.** ..... **D23/223; D19/35**

(58) **Field of Search** ..... D23/213, 223,  
D23/226; 239/291, 301, 526, 527

FIG. 1 is a front-left-top perspective view of an airbrush showing my new design;

FIG. 2 is a front elevational view thereof;

FIG. 3 is a rear elevational view thereof;

FIG. 4 is a top plane view thereof;

FIG. 5 is a bottom plane view thereof;

FIG. 6 is a right elevational view thereof; and,

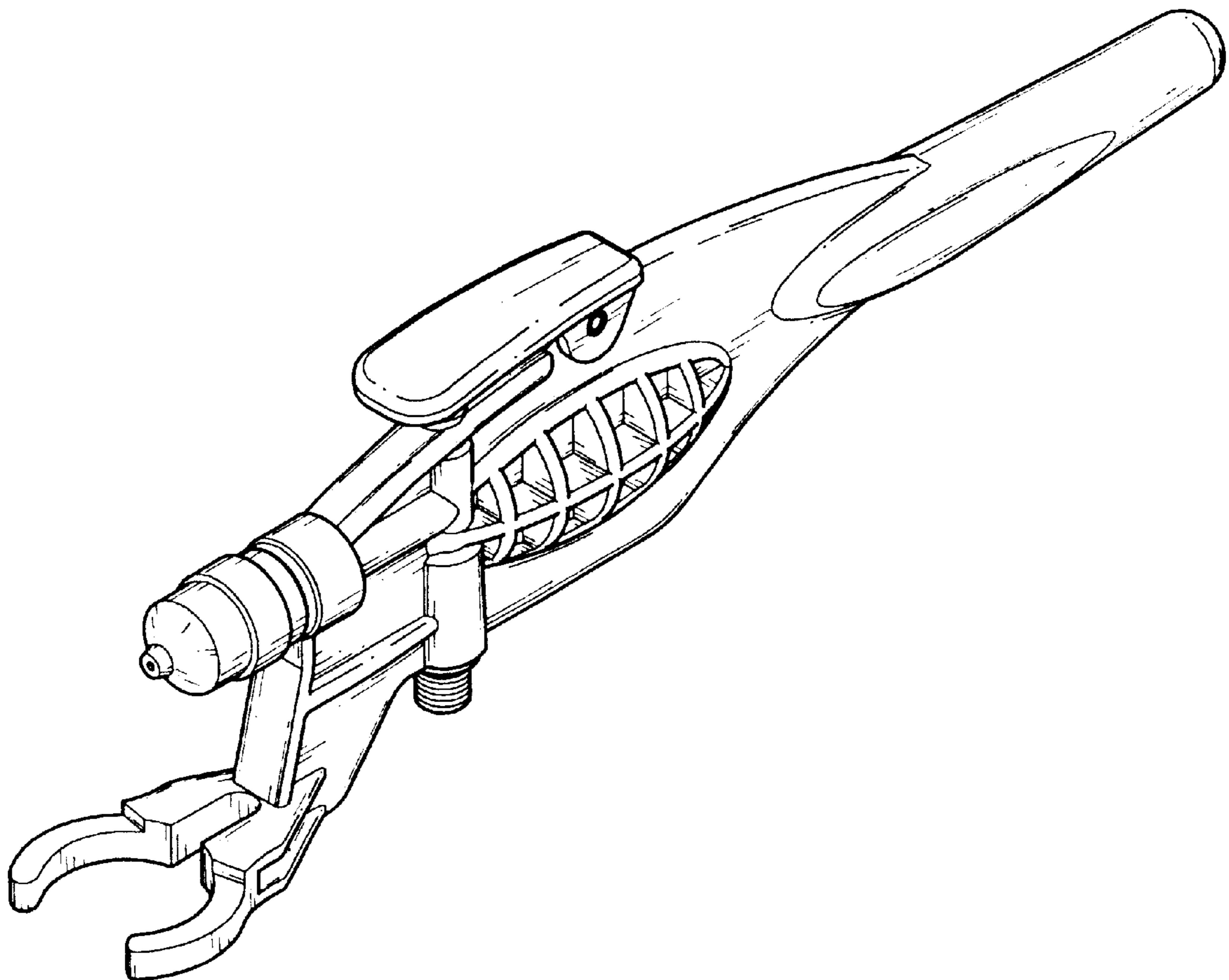
FIG. 7 is a left elevational view thereof.

(56) **References Cited**

**U.S. PATENT DOCUMENTS**

D. 335,170	*	4/1993	Hoogeveen	.....	D23/223
1,524,283	*	1/1925	Beach	.....	239/527
1,777,650	*	10/1930	Paasche	.....	239/301
2,783,092	*	2/1957	Gavin et al.	.....	239/291

**1 Claim, 5 Drawing Sheets**



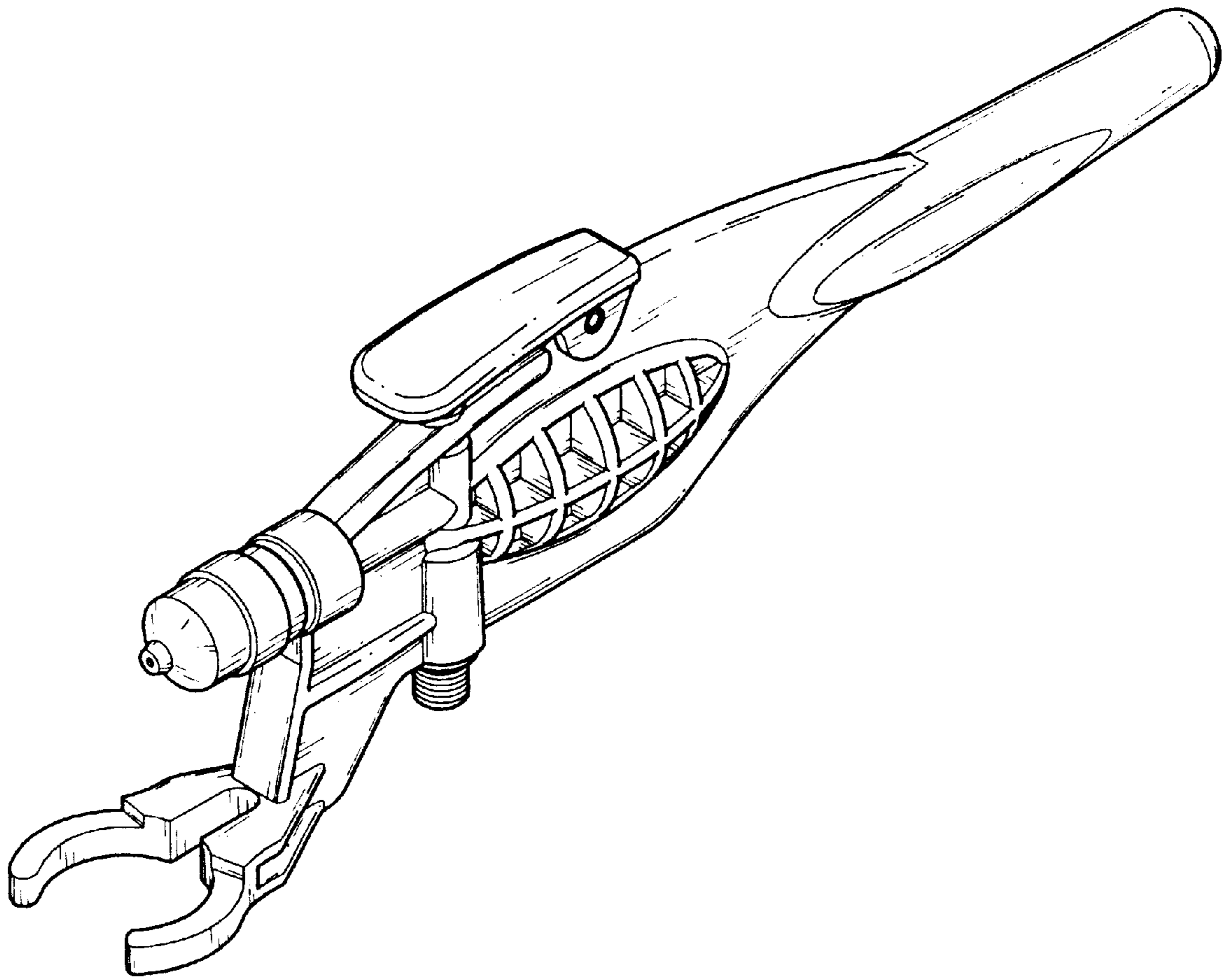


FIG. 1

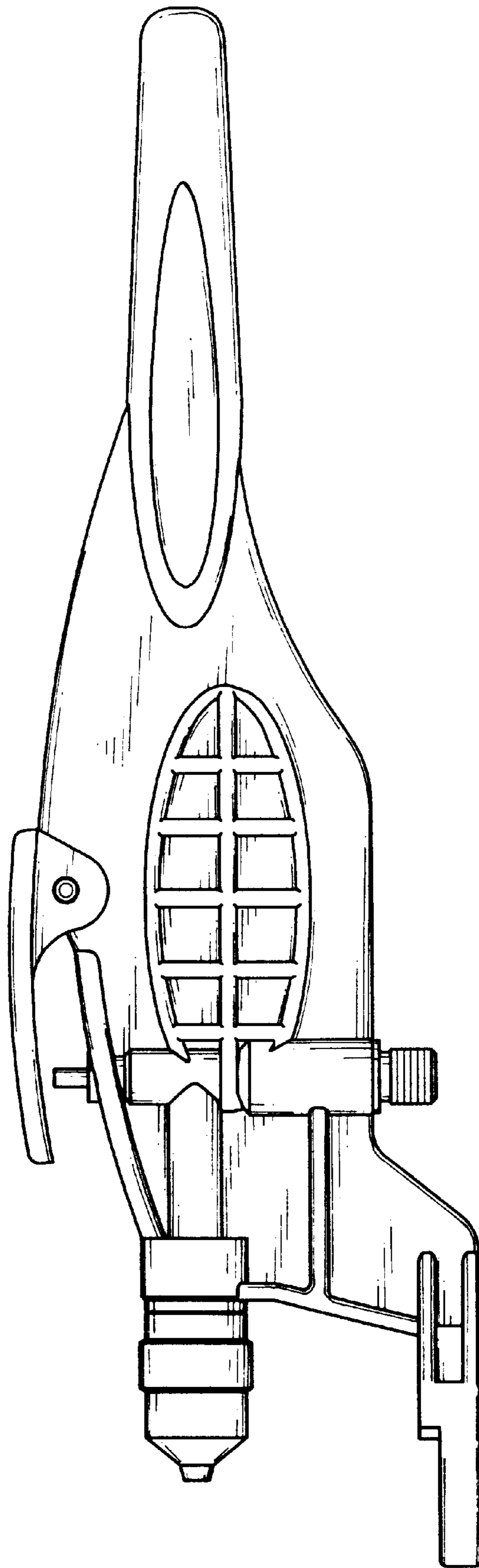


FIG. 2

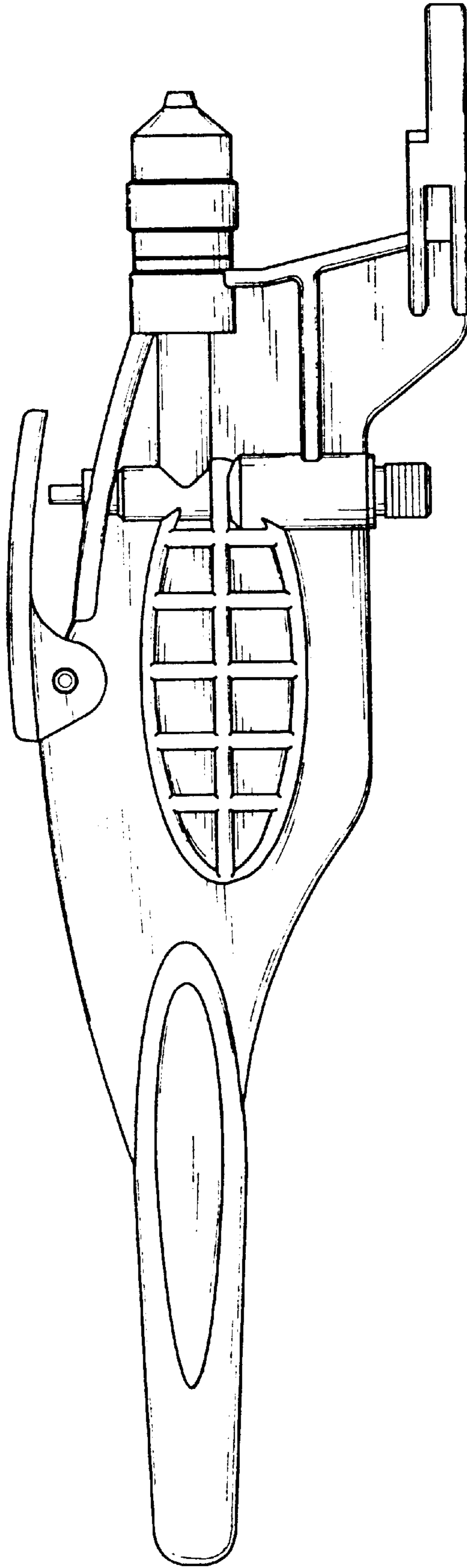


FIG. 3

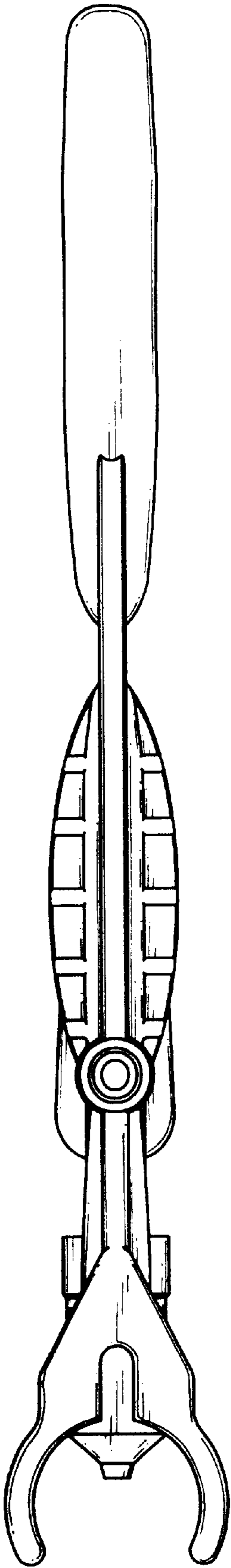


FIG. 5

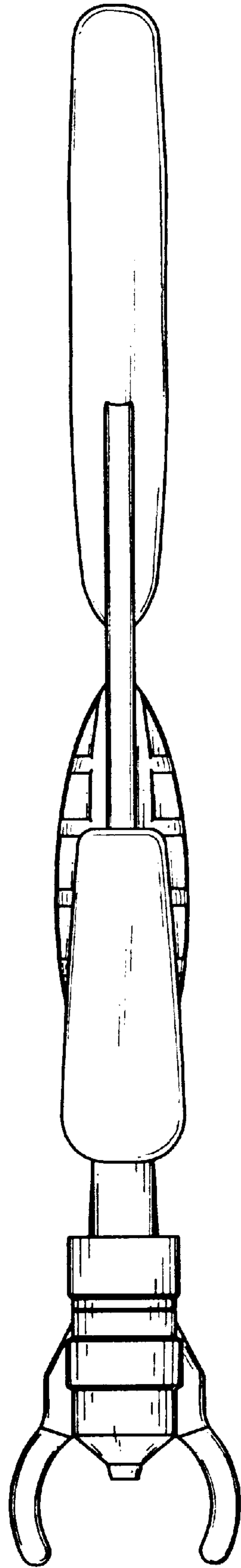


FIG. 4

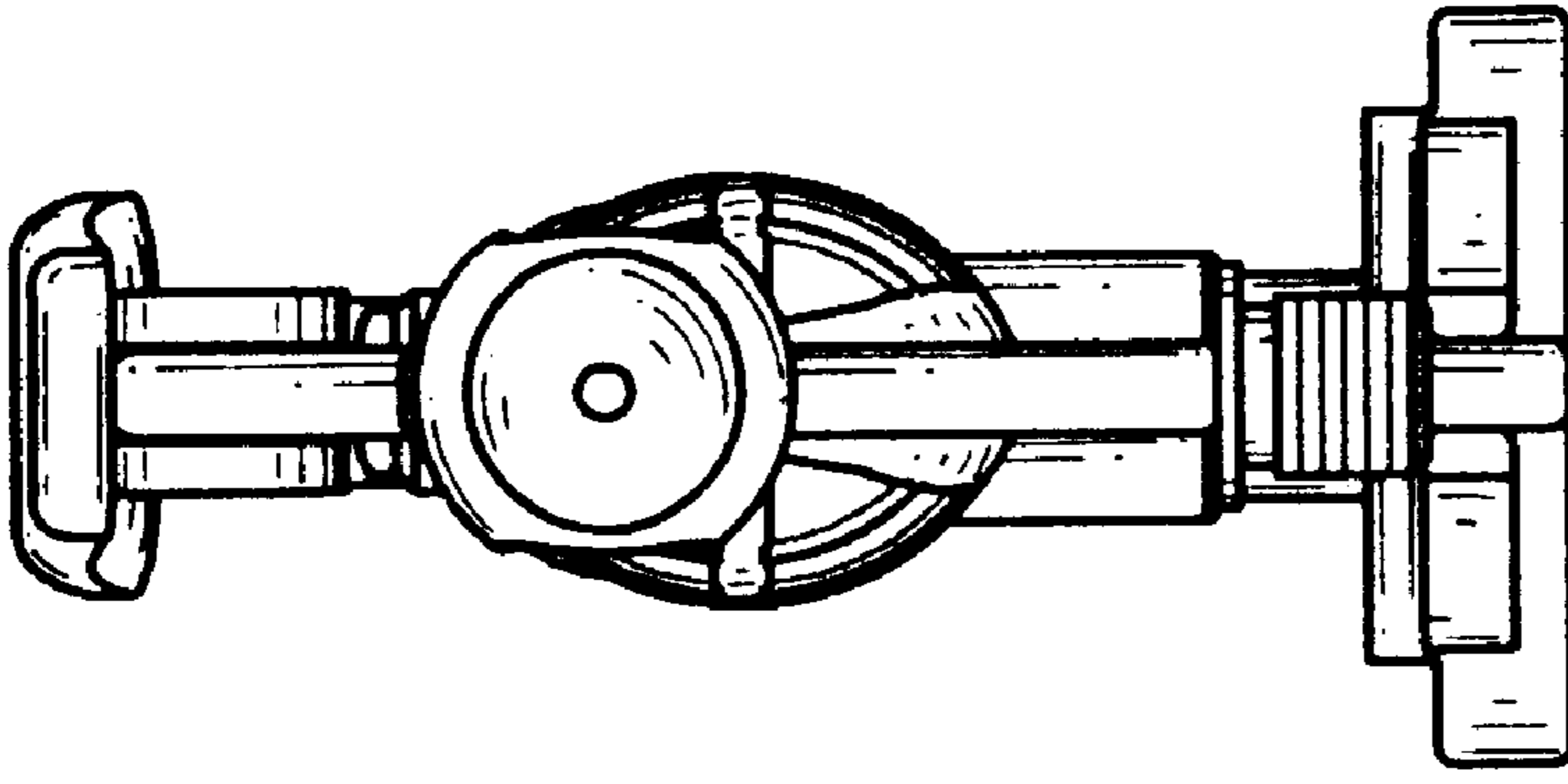


FIG. 6

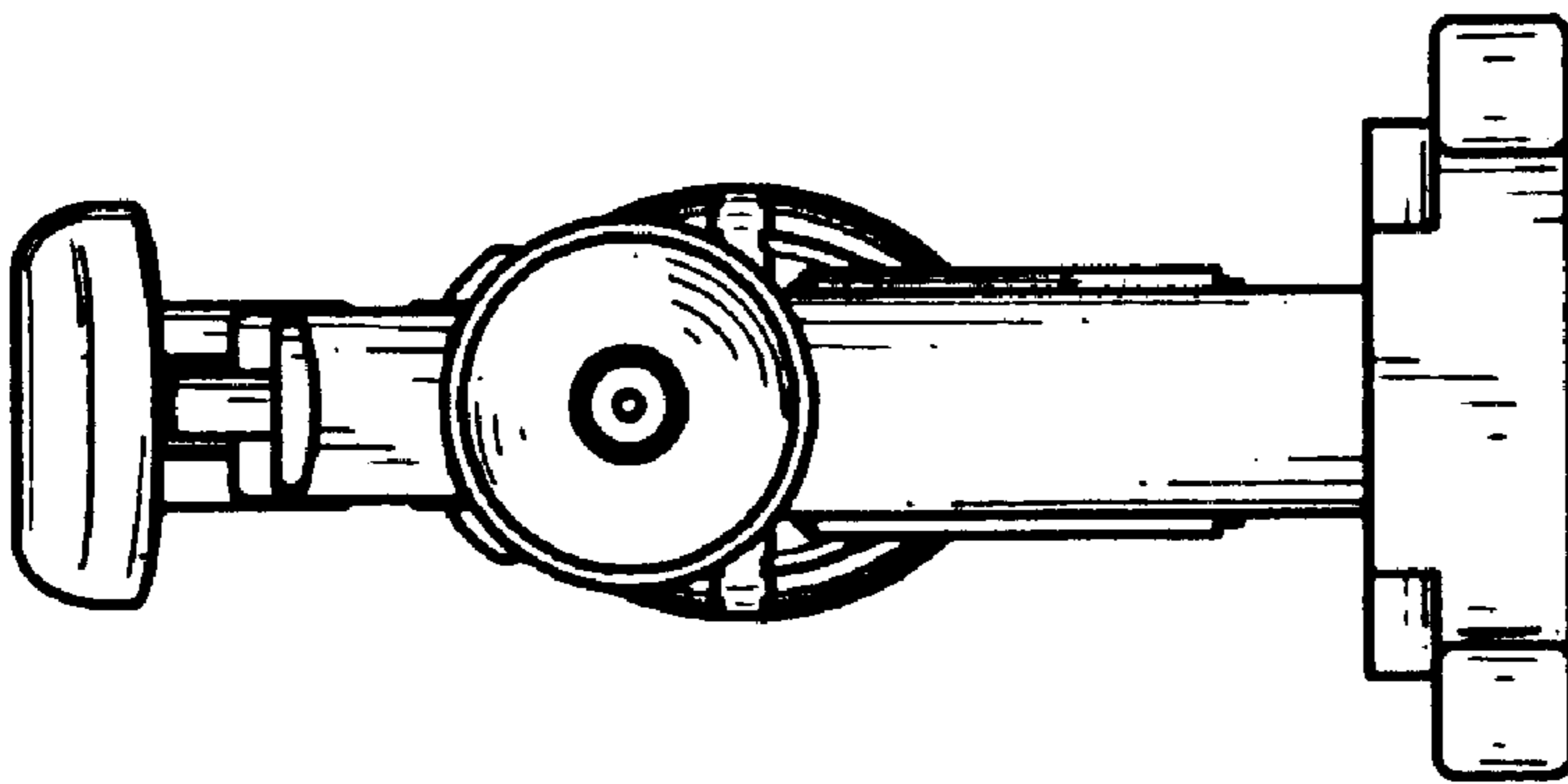


FIG. 7