



US00D450370B1

(12) **United States Design Patent**  
**Wales et al.**

(10) **Patent No.:** **US D450,370 S**

(45) **Date of Patent:** **\*\* Nov. 13, 2001**

(54) **ADJUSTABLE SHOWERHEAD**

(76) Inventors: **Michael Wales; Grace L. Wales**, both  
of 21 Knoll St., Riverside, CT (US)  
06878

(\*\*) Term: **14 Years**

(21) Appl. No.: **29/110,986**

(22) Filed: **Sep. 17, 1999**

(51) **LOC (7) Cl.** ..... **23-01**

(52) **U.S. Cl.** ..... **D23/213**

(58) **Field of Search** ..... D23/213, 223,  
D23/229, 230, 228; 239/587.1, 587.4, 587.5

(56) **References Cited**

**U.S. PATENT DOCUMENTS**

D. 215,288	*	9/1969	Theblay	.....	D23/230
D. 259,054	*	4/1981	Petersons	.....	D23/213
D. 347,262	*	5/1994	Black et al.	.....	D23/230
D. 398,370	*	9/1998	Purdy	.....	D23/213

**OTHER PUBLICATIONS**

Joan Cook Housewares; item D Shower Arm; p. 35; design  
digest, 1989.\*

Europa; Downpour Rain Shower Showerhead; design  
digest, Aug. 1995.\*

Craftech catalog; item #02-6002 showerhead; design digest,  
Aug. 1995.\*

\* cited by examiner

*Primary Examiner*—Robin V. Taylor

(74) *Attorney, Agent, or Firm*—St. Onge Steward Johnston  
& Reens LLC

(57) **CLAIM**

The ornamental design for an adjustable showerhead, as  
shown and described.

**DESCRIPTION**

FIG. 1 is a perspective view of an adjustable showerhead in  
accordance with the design.

FIG. 2 is a top plan view of an adjustable showerhead in  
accordance with the design.

FIG. 3 is a bottom plan view of an adjustable showerhead in  
accordance with the design.

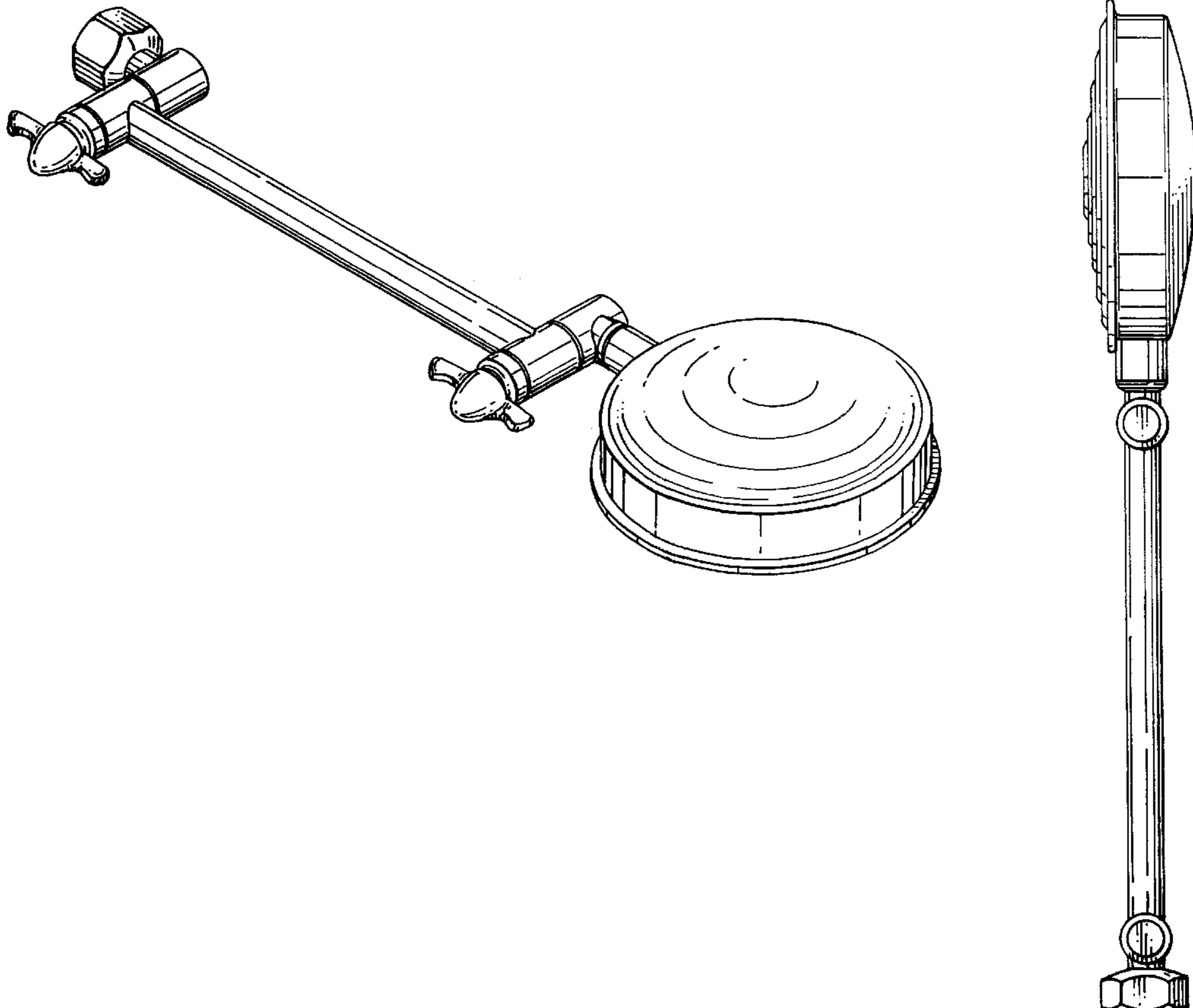
FIG. 4 is a left side view of an adjustable showerhead in  
accordance with the design.

FIG. 5 is a right side view of an adjustable showerhead in  
accordance with the design.

FIG. 6 is an end view of an adjustable showerhead in  
accordance with the design; and,

FIG. 7 is another end view of an adjustable showerhead in  
accordance with the design.

**1 Claim, 3 Drawing Sheets**



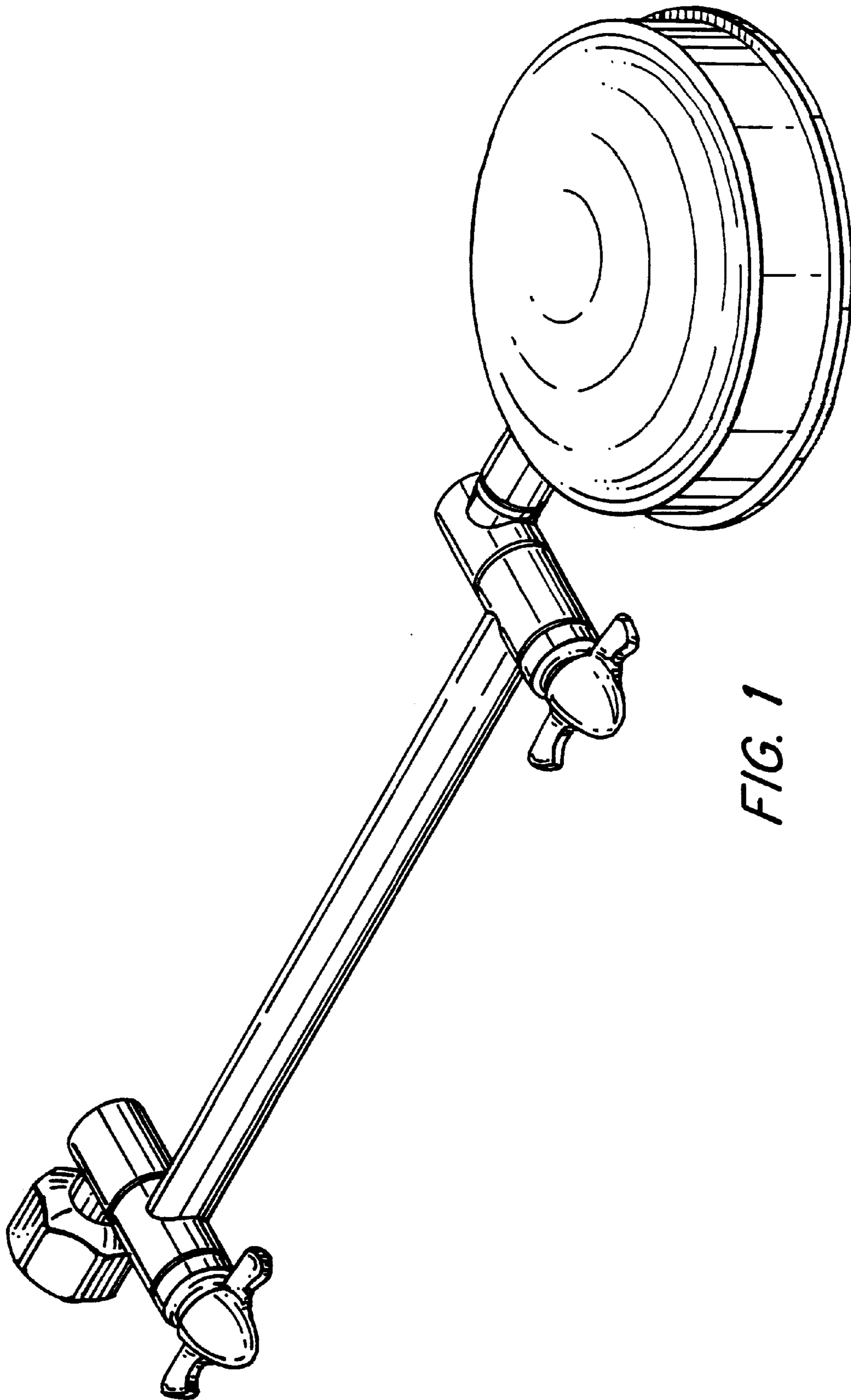


FIG. 1

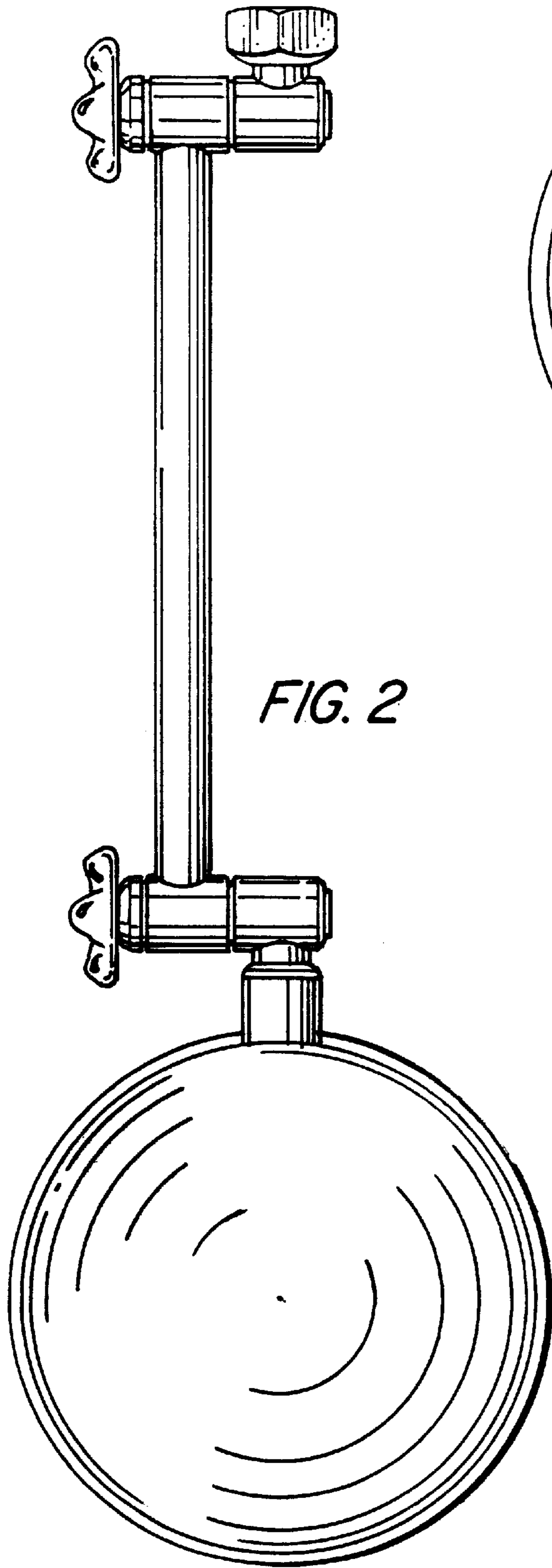


FIG. 2

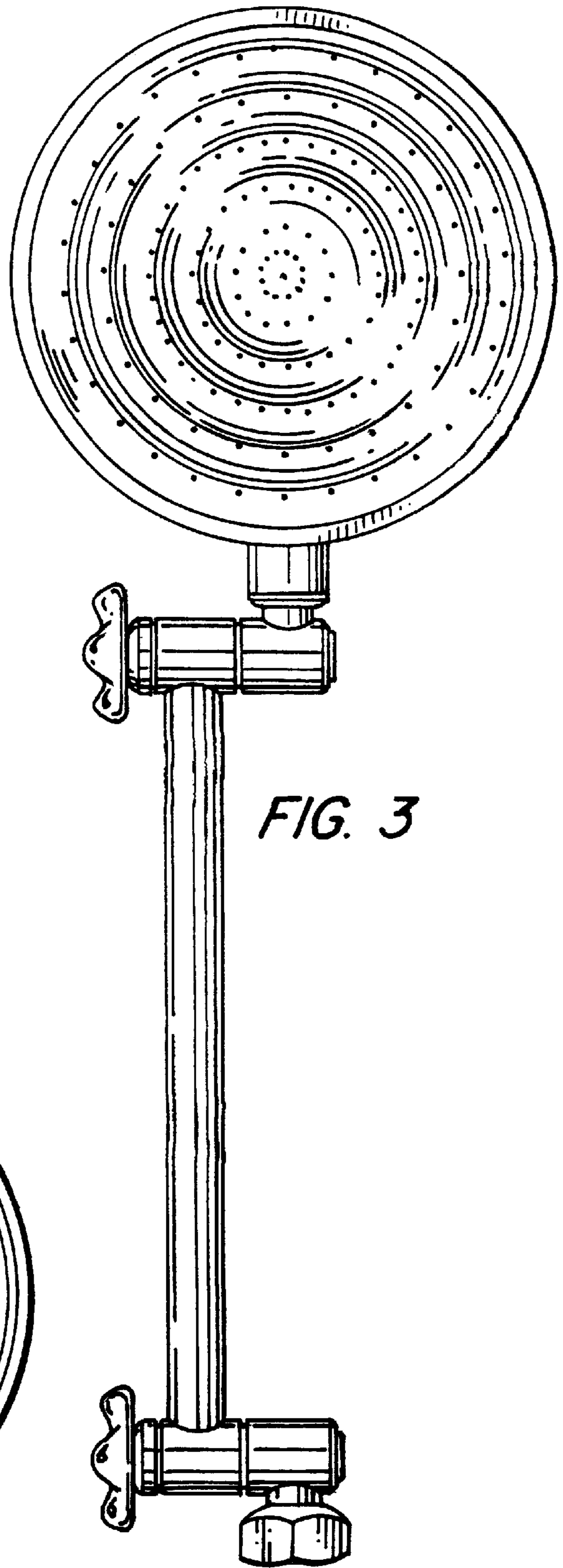


FIG. 3

FIG. 4

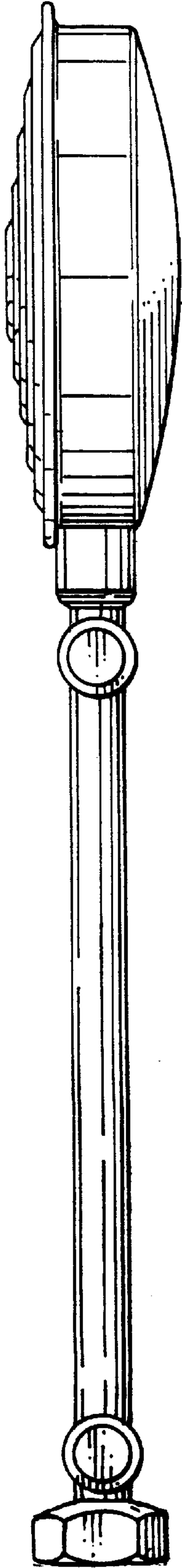


FIG. 5

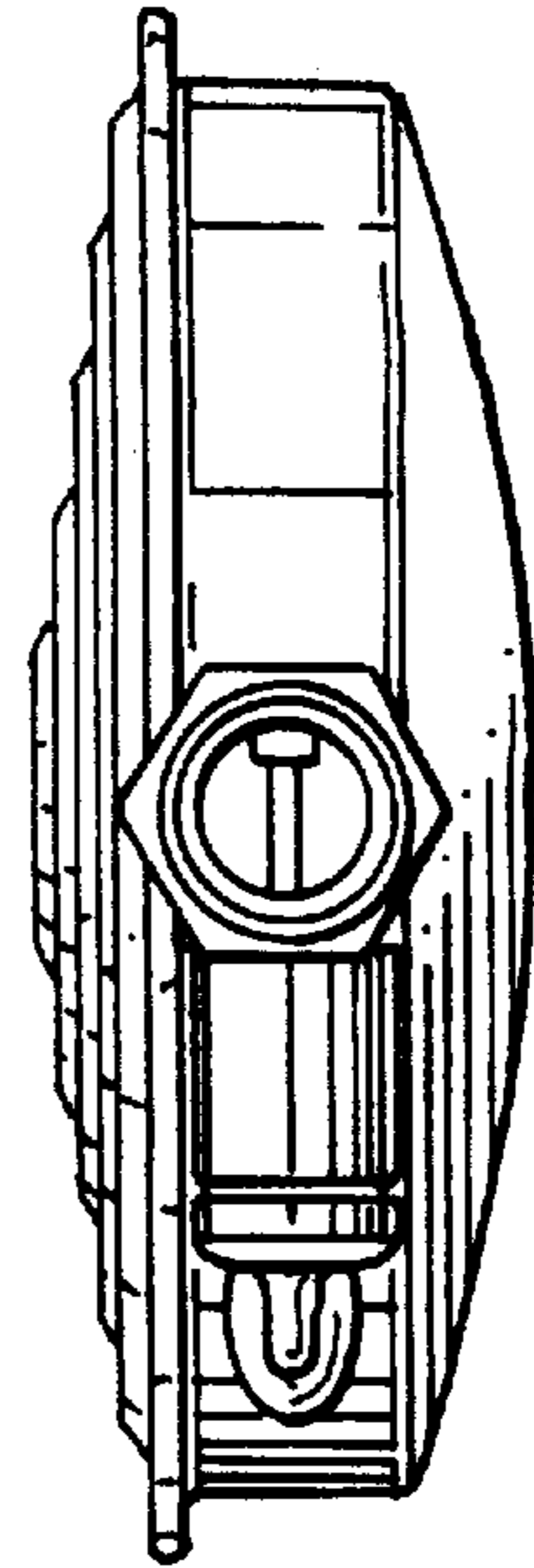
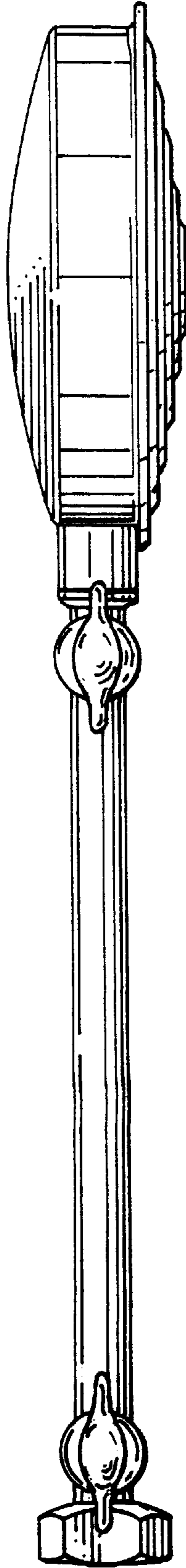


FIG. 6

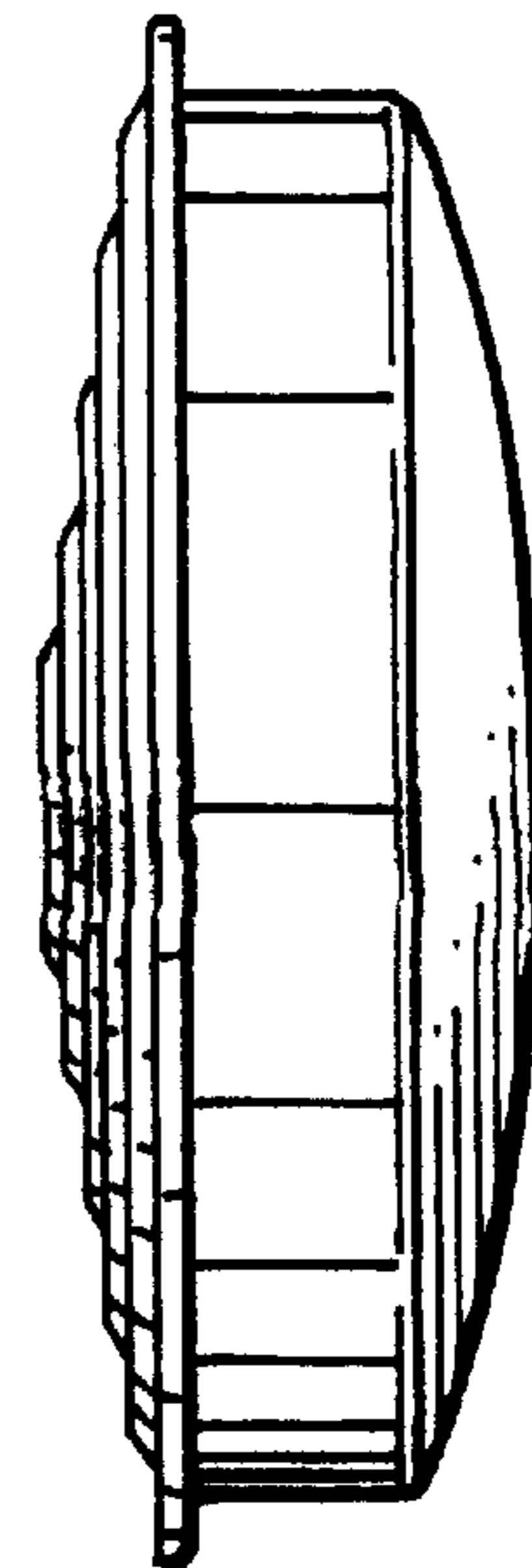


FIG. 7