



US00D450369B1

(12) **United States Design Patent**  
**Oh**

(10) **Patent No.:** **US D450,369 S**

(45) **Date of Patent:** **\*\* Nov. 13, 2001**

(54) **FISHING REEL**

(75) Inventor: **Chul Suk Oh**, Seoul (KR)

(73) Assignee: **Shin A Sports Co., Ltd.** (KR)

(\*\*) Term: **14 Years**

(21) Appl. No.: **29/128,093**

(22) Filed: **Aug. 17, 2000**

(51) **LOC (7) Cl.** ..... **22-05**

(52) **U.S. Cl.** ..... **D22/140**

(58) **Field of Search** ..... D22/137, 140,  
D22/141; 242/310, 311, 312, 314, 323,  
223

(56) **References Cited**

**U.S. PATENT DOCUMENTS**

D. 404,109	*	1/1999	Zwayer et al.	.....	D22/141
D. 422,047	*	3/2000	Kaneda et al.	.....	D22/140
D. 432,202	*	10/2000	Kim et al.	.....	D22/140
D. 436,155	*	1/2001	Asano et al.	.....	D22/140
D. 436,645	*	1/2001	Kim et al.	.....	D22/140

**OTHER PUBLICATIONS**

Bass Pro Shops, Quantum Ex Series, p. 42, 1996.\*

\* cited by examiner

*Primary Examiner*—Catherine R. Oliver

(74) *Attorney, Agent, or Firm*—Peter F. Corless; Edwards & Angell, LLP

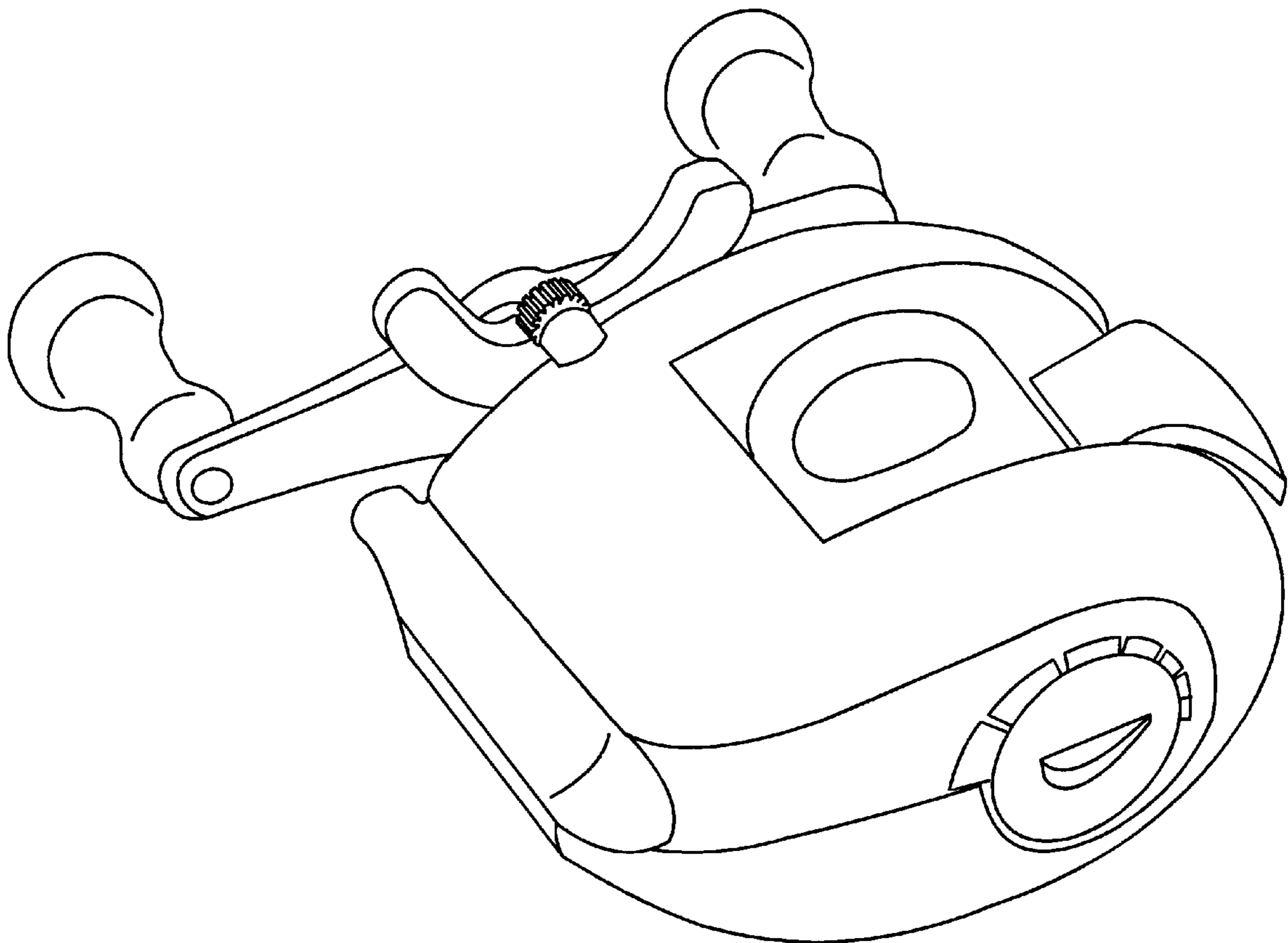
(57) **CLAIM**

The ornamental design for fishing reel, as shown and described.

**DESCRIPTION**

FIG. 1 is a front top and right side perspective view of a fishing reel showing my new design;  
FIG. 2 is a top plan view thereof;  
FIG. 3 is a bottom plan view thereof;  
FIG. 4 is a right side elevational view thereof;  
FIG. 5 is a left side elevational view thereof;  
FIG. 6 is a front elevational view thereof; and,  
FIG. 7 is a rear elevational view thereof.

**1 Claim, 5 Drawing Sheets**



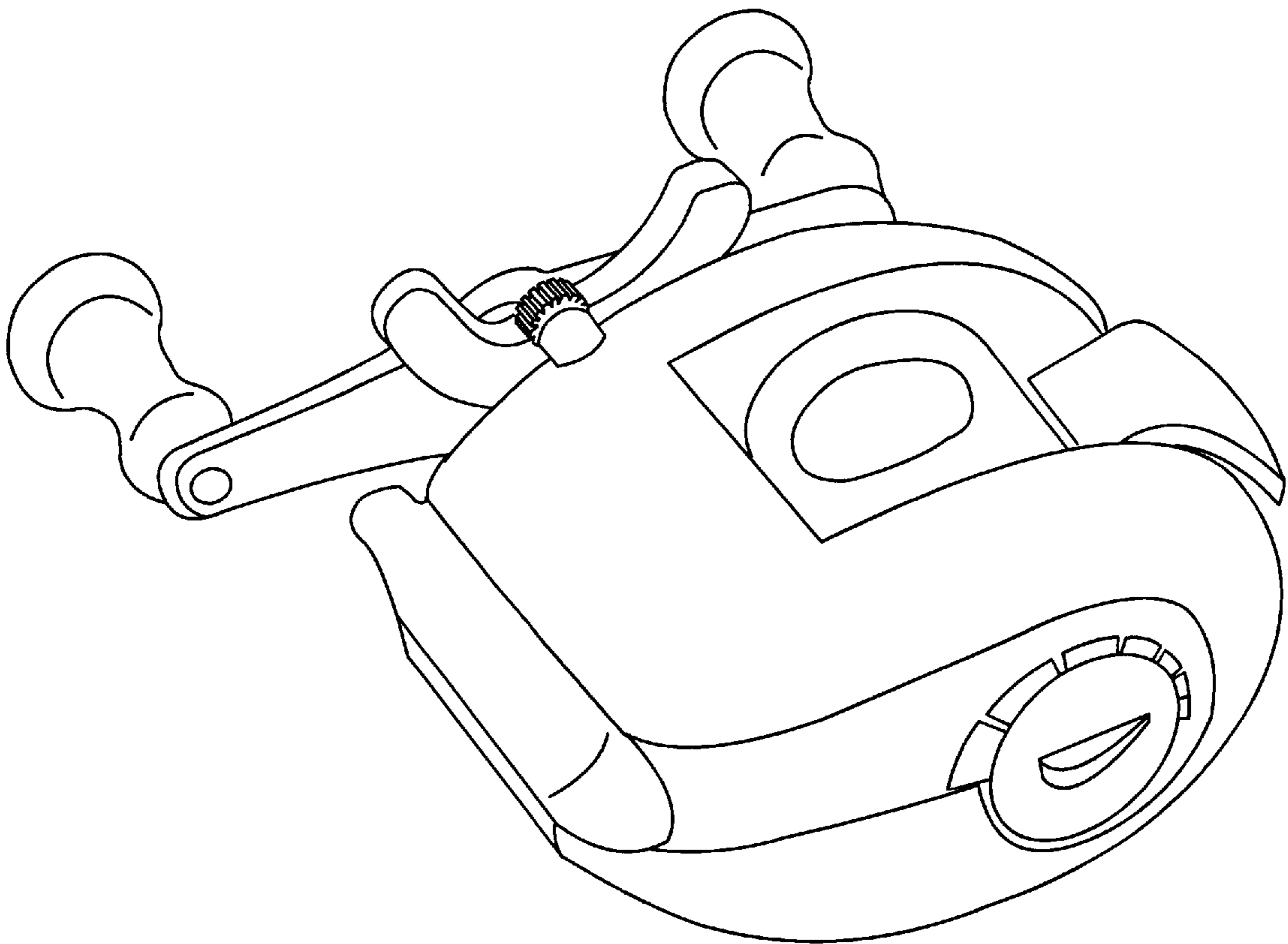


FIG. 1

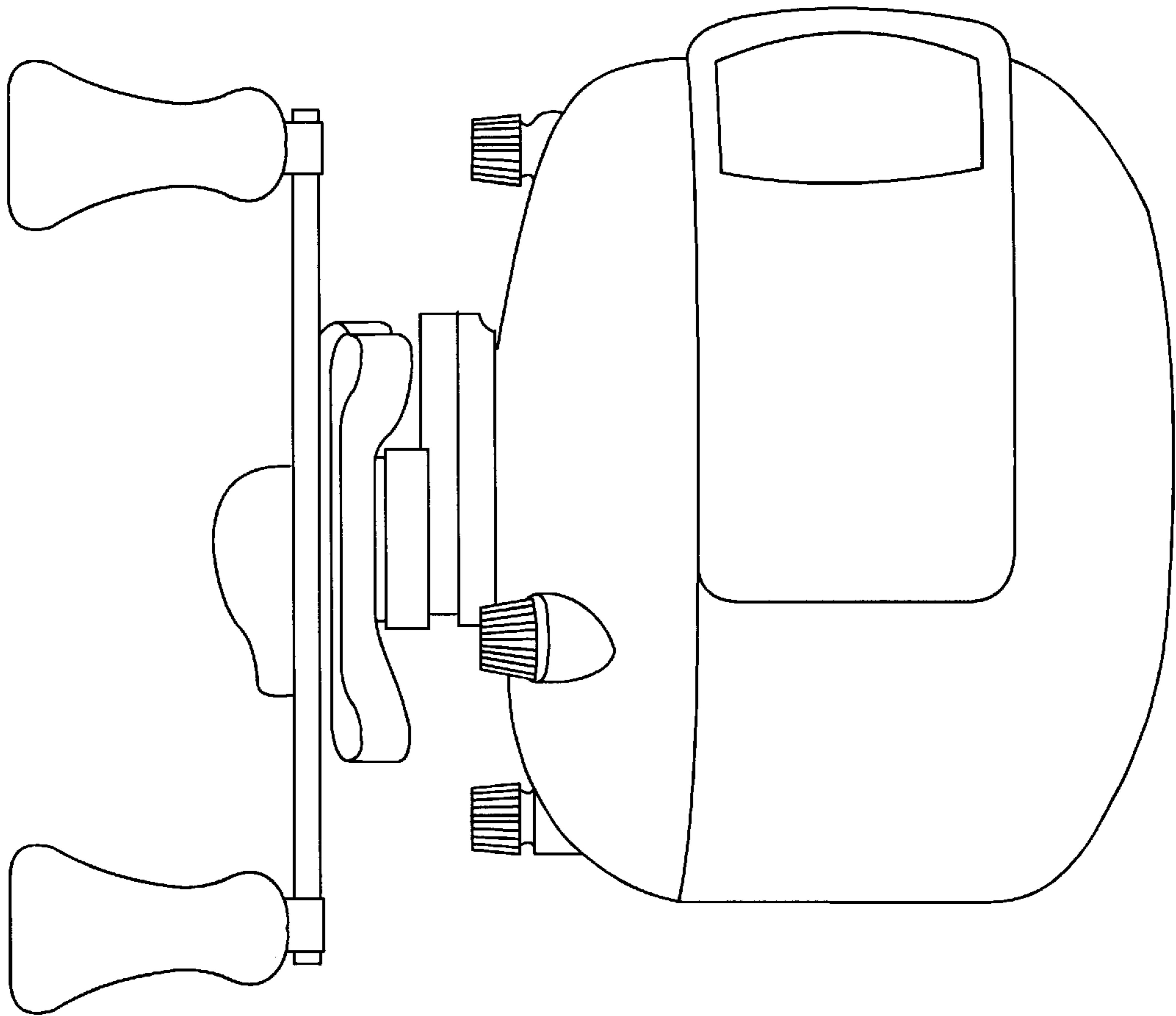


FIG. 2

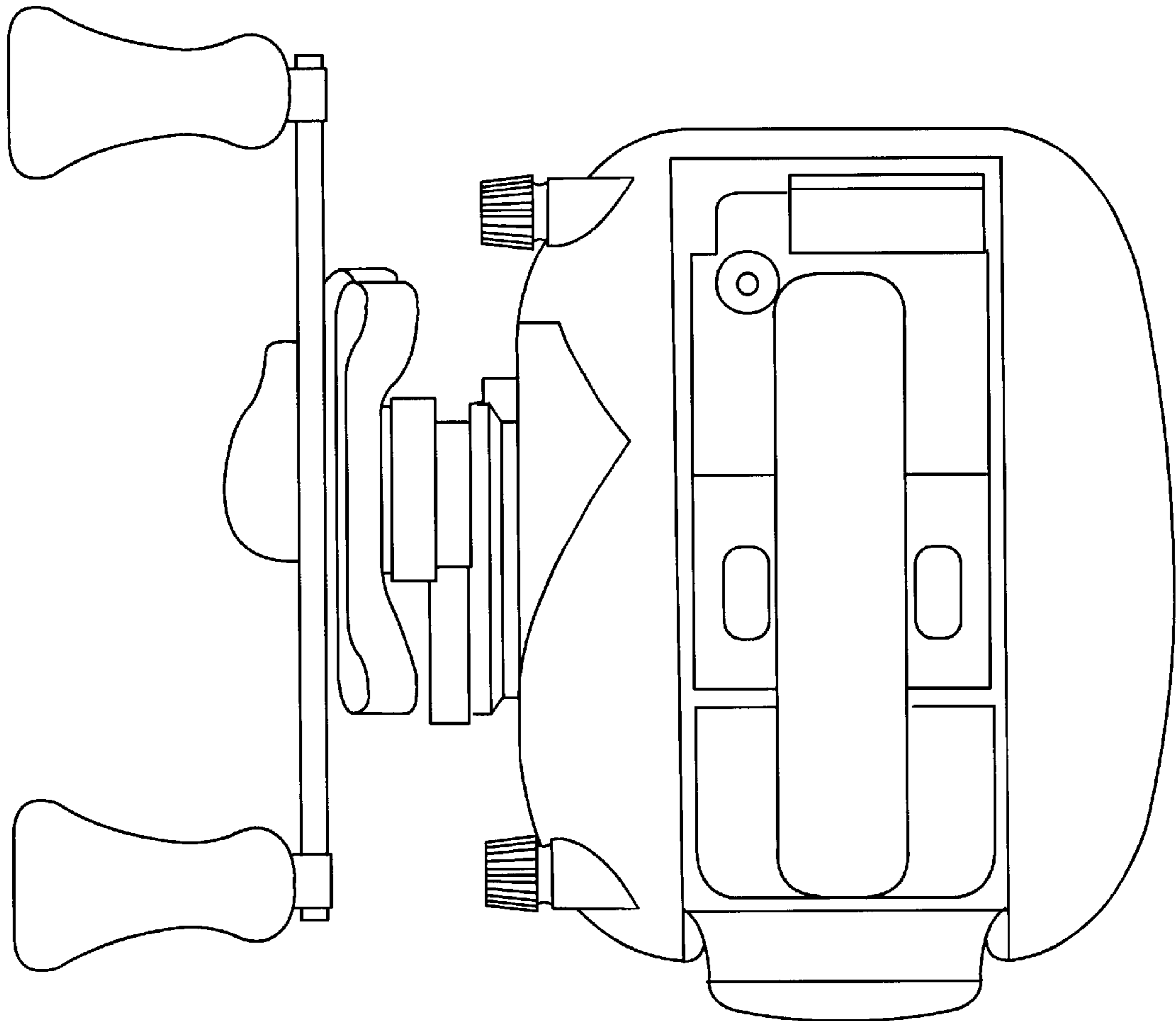


FIG. 3

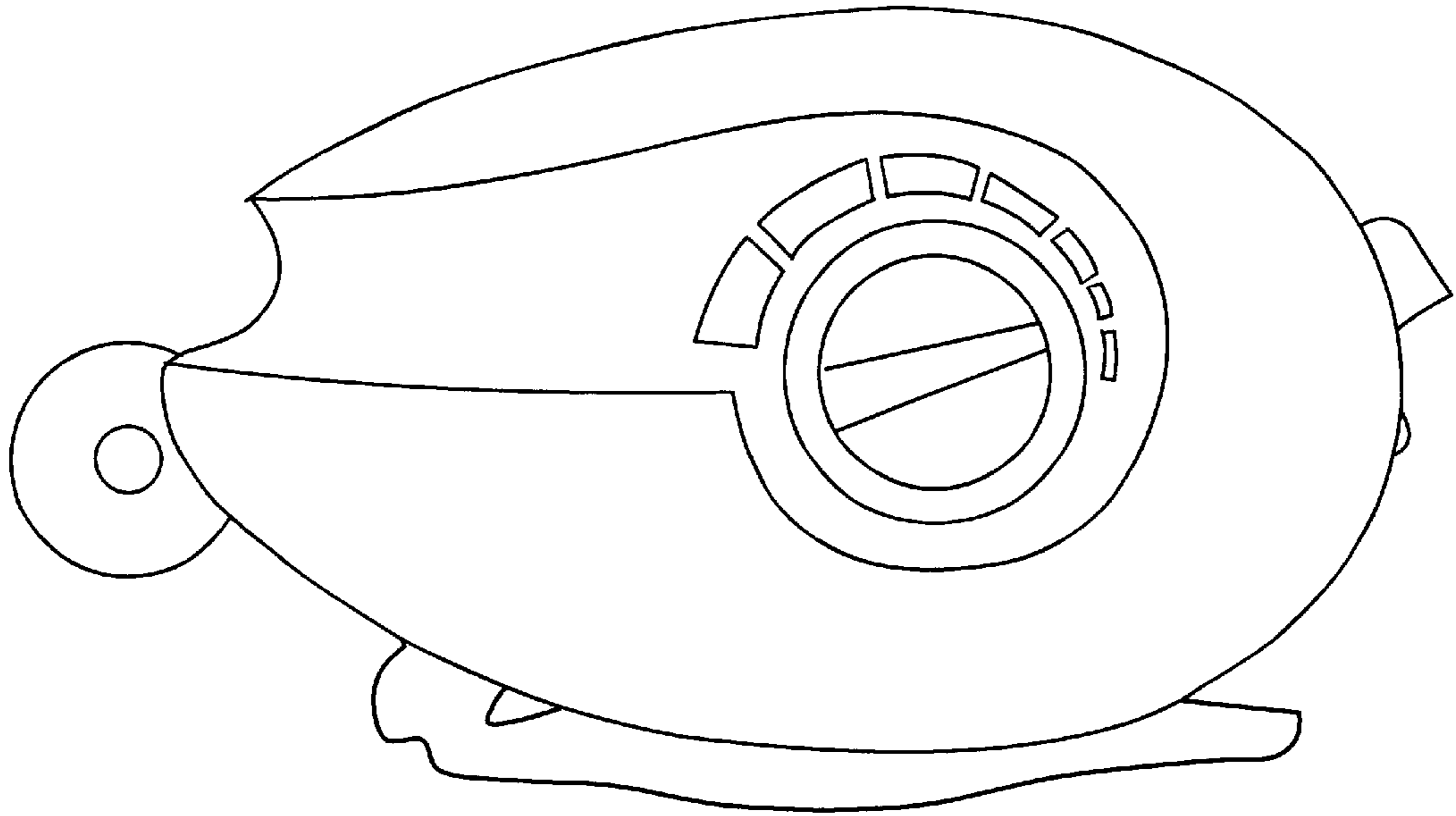


FIG. 4

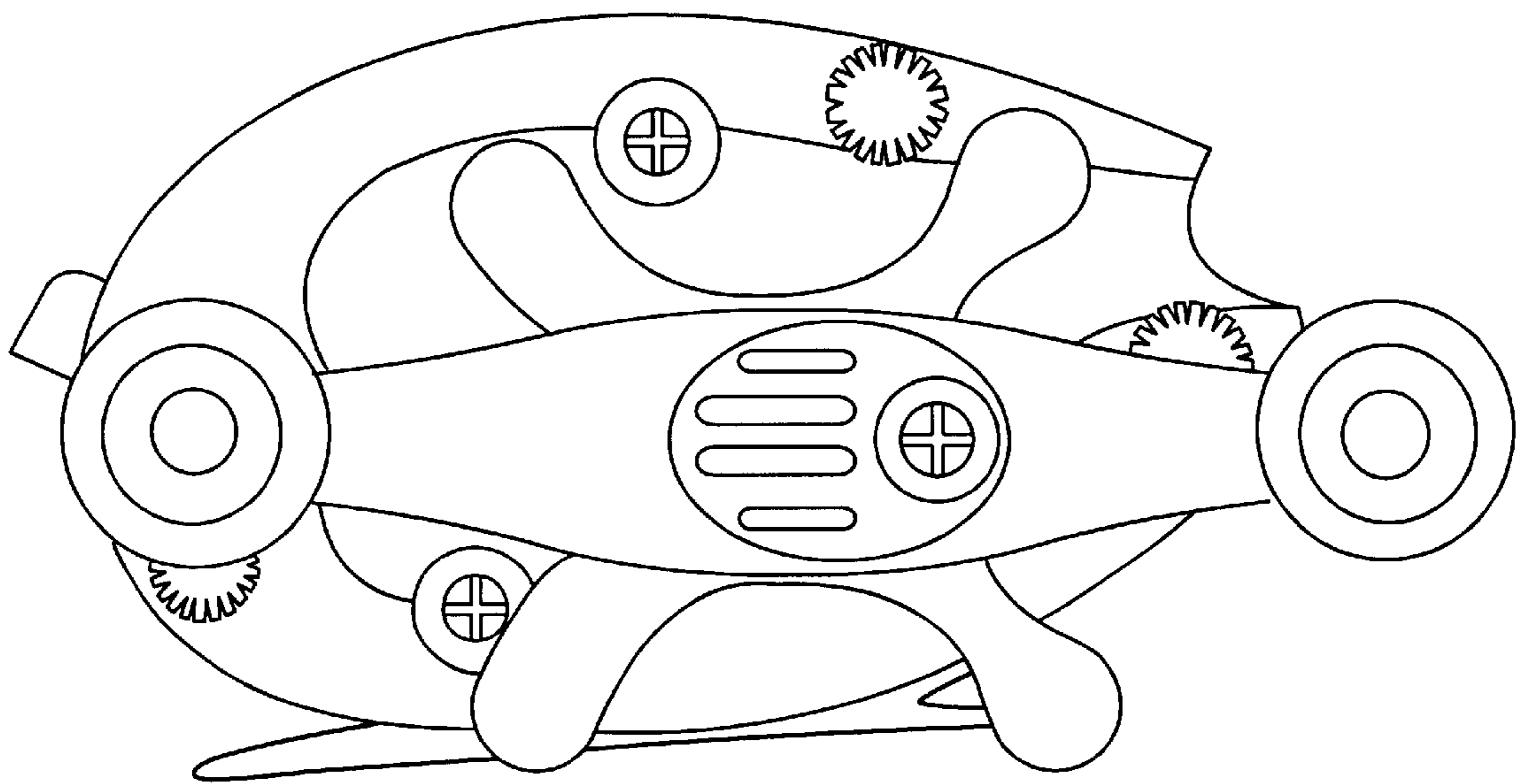


FIG. 5

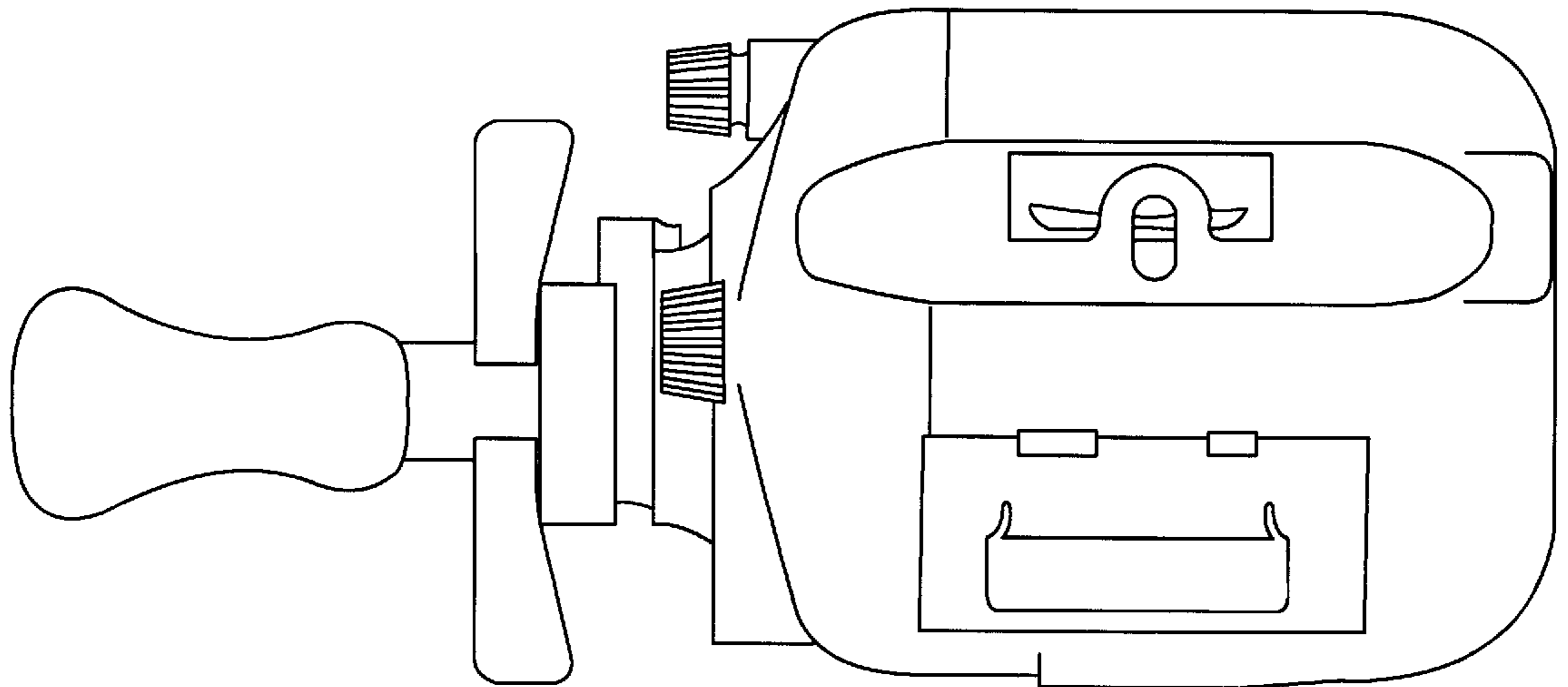


FIG. 6

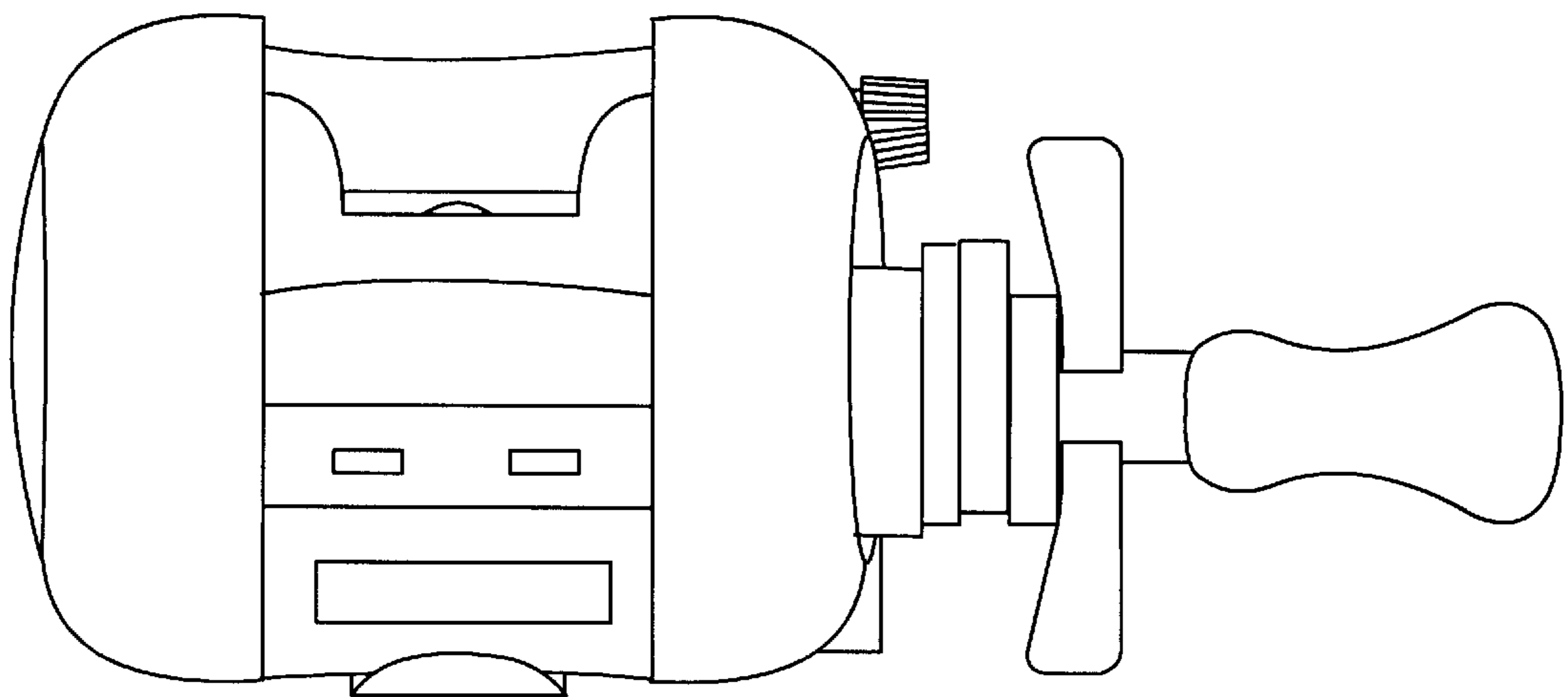


FIG. 7