



US00D450367B1

(12) **United States Design Patent**
Nunez

(10) **Patent No.:** **US D450,367 S**

(45) **Date of Patent:** **** Nov. 13, 2001**

- (54) **INSECT CATCHING DEVICE**
- (76) Inventor: **Oscar Nunez**, P.O. Box 221, Silver Springs, FL (US) 34489
- (**) Term: **14 Years**
- (21) Appl. No.: **29/122,293**
- (22) Filed: **Apr. 24, 2000**
- (51) **LOC (7) Cl.** **22-06**
- (52) **U.S. Cl.** **D22/122**
- (58) **Field of Search** D22/119-124;
D8/1, 2; 43/136, 137, 135; 294/19.1

- 4,850,133 * 7/1989 Burzdak et al. 43/136
- 5,271,178 12/1993 Eckard .
- 5,305,546 4/1994 Edwards .
- 5,522,173 6/1996 Muhlinghaus .
- 5,537,777 7/1996 Geeting .

* cited by examiner

Primary Examiner—Catherine R. Oliver
(74) *Attorney, Agent, or Firm*—William M. Hobby, III

(57) **CLAIM**

The ornamental design for an insect catching device, as shown and described.

DESCRIPTION

FIG. 1 is a front left side perspective view showing my new insect catching device;
FIG. 2 is a left side elevation;
FIG. 3 is a front elevation;
FIG. 4 is a rear elevation;
FIG. 5 is a right side elevation;
FIG. 6 is a top plan view; and,
FIG. 7 is a bottom plan view.

- (56) **References Cited**
- U.S. PATENT DOCUMENTS**
- D. 339,841 * 9/1993 Gelinas D22/122
- D. 349,554 * 8/1994 Yates D22/119
- 816,499 3/1906 Pierce .
- 1,750,163 3/1930 Disney .
- 3,494,067 2/1970 Potrzuski .
- 4,132,027 1/1979 Malacheski et al. .
- 4,272,906 6/1981 Liebling .
- 4,450,649 * 5/1984 Dunwoody 43/135

1 Claim, 2 Drawing Sheets

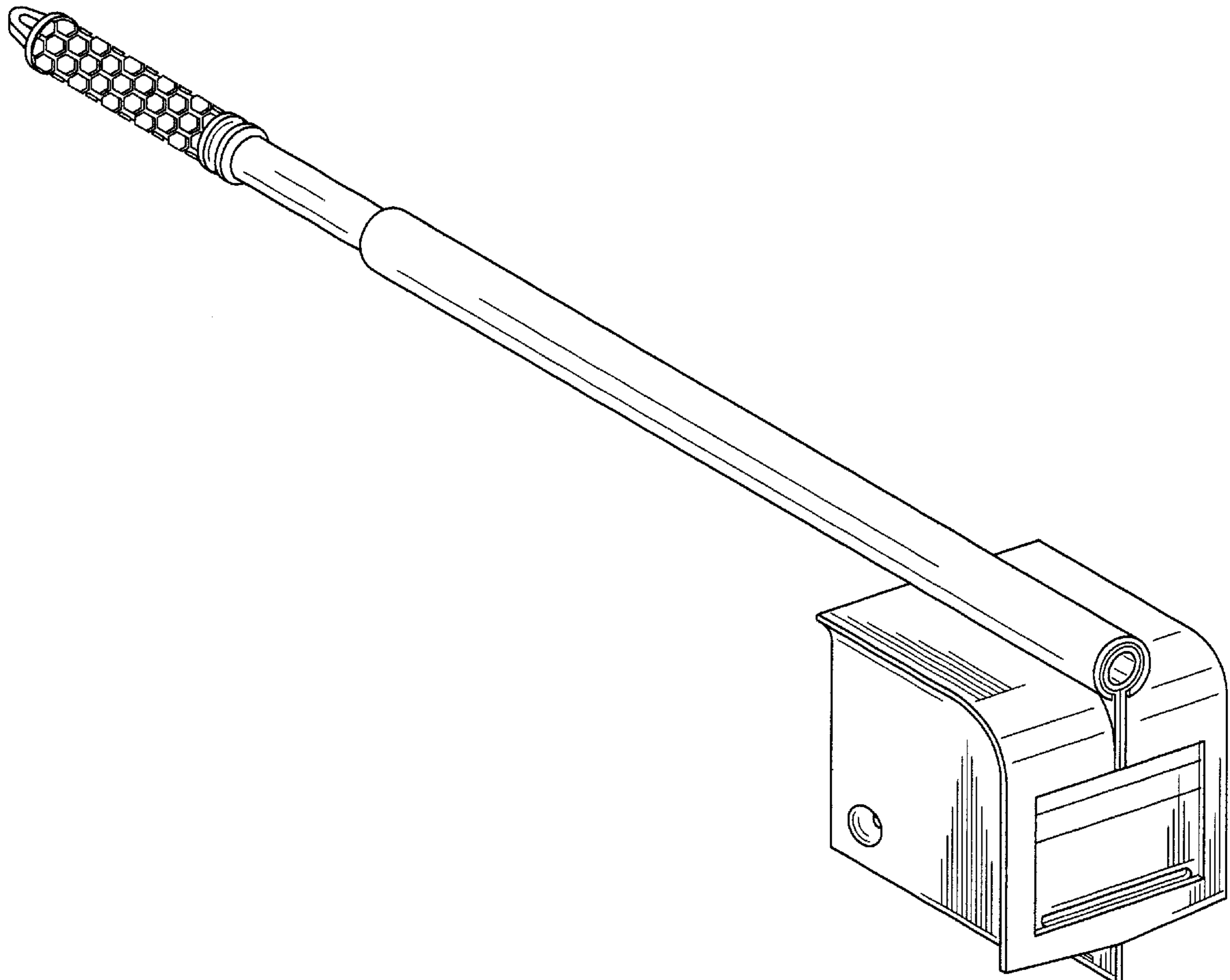




FIG. 2

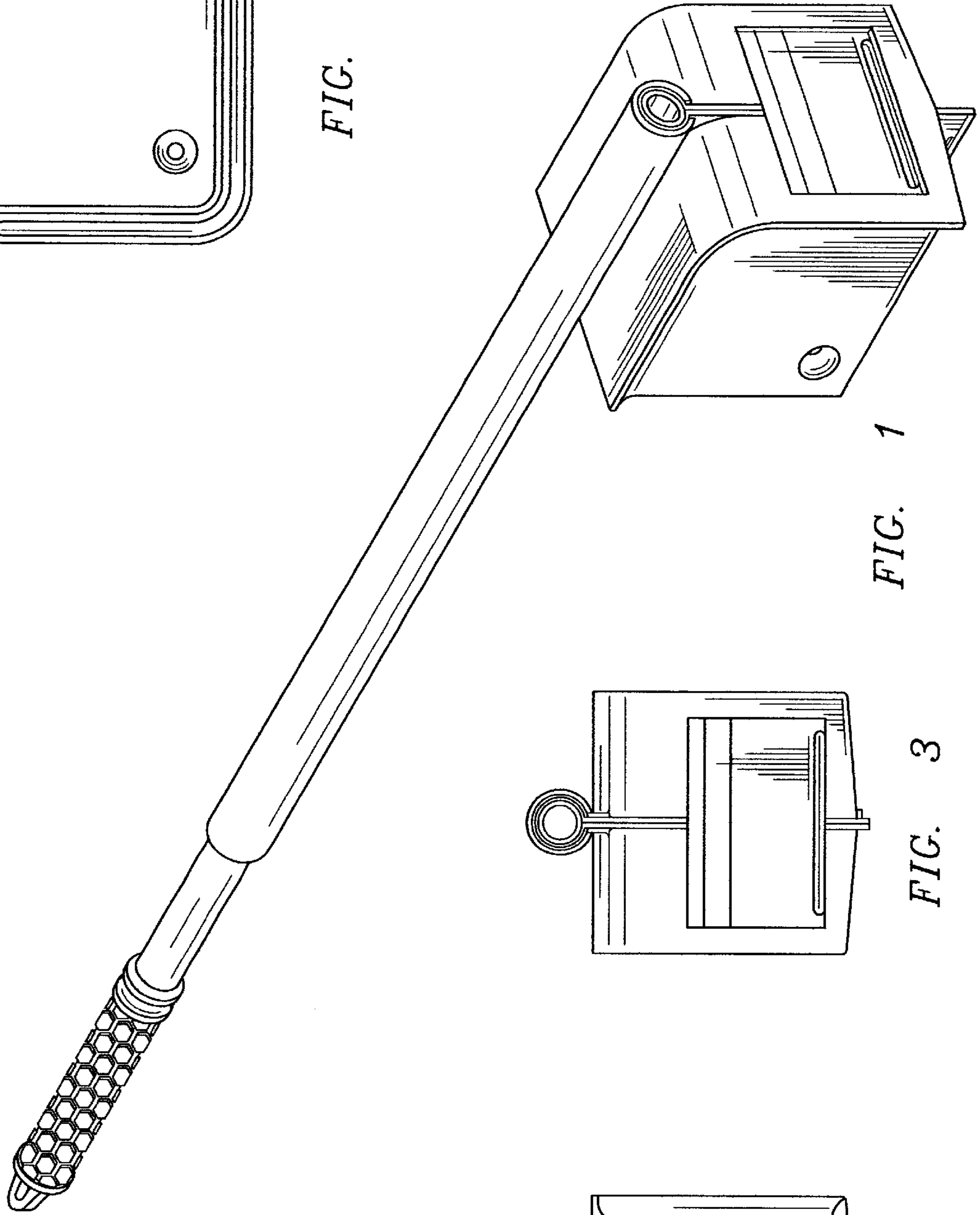


FIG. 1

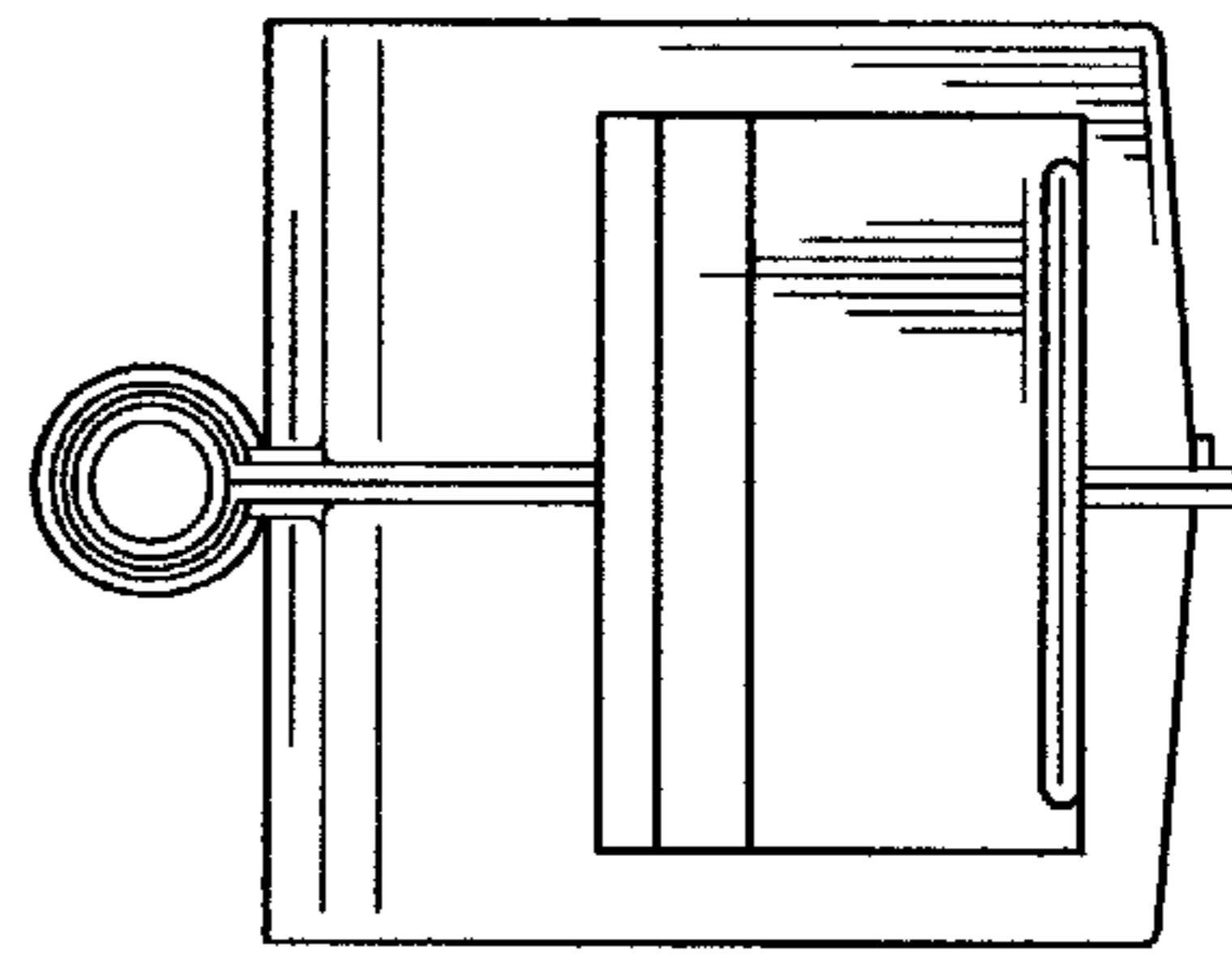


FIG. 3

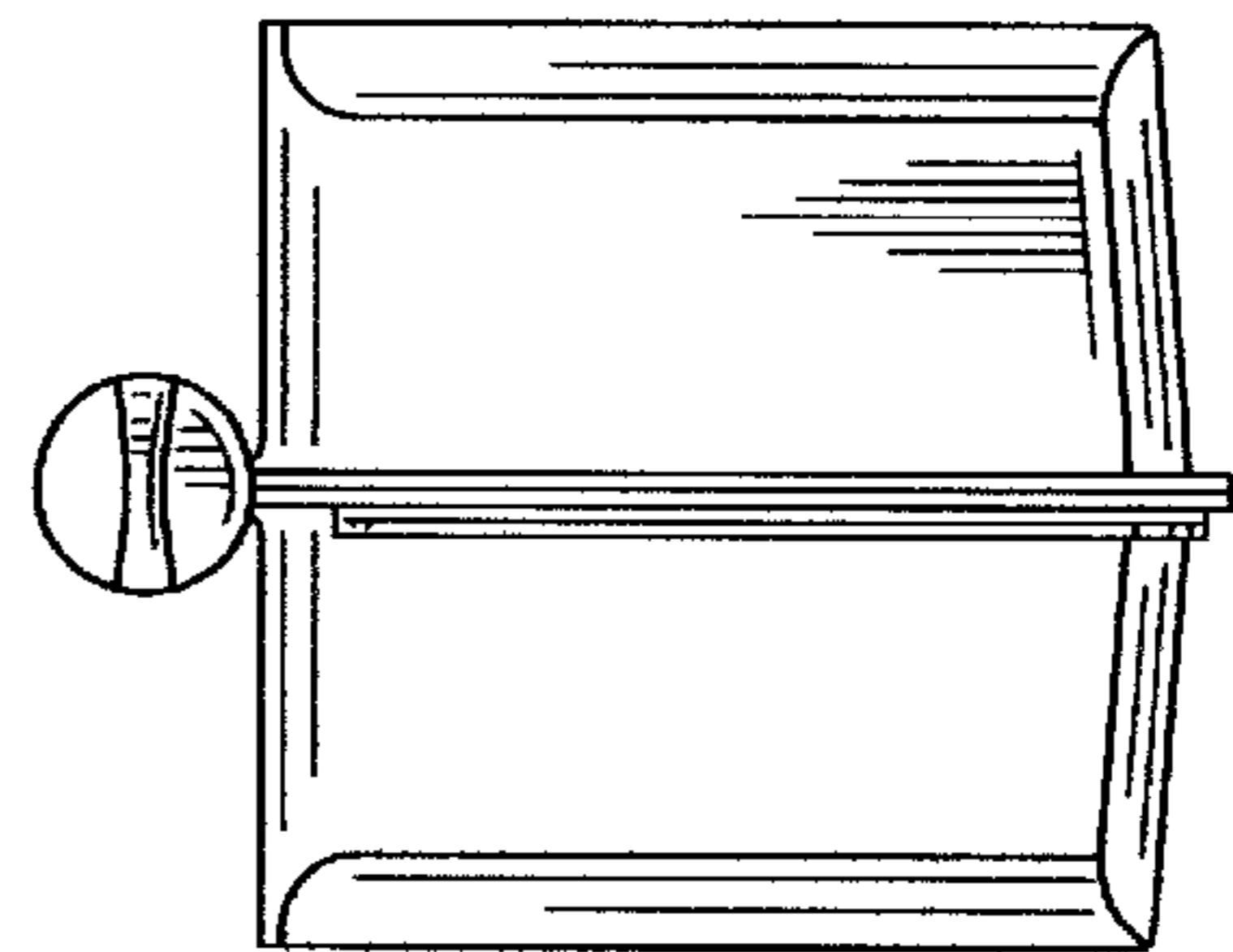


FIG. 4

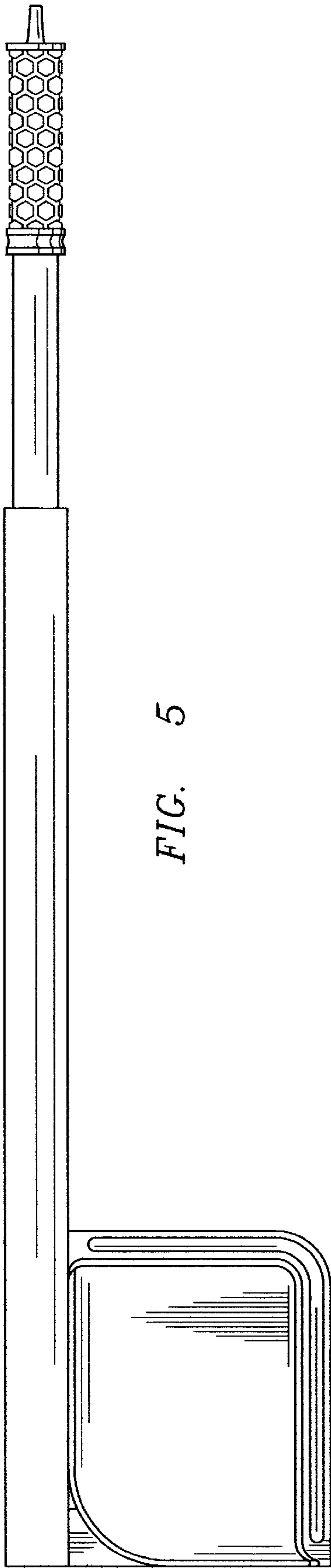


FIG. 5

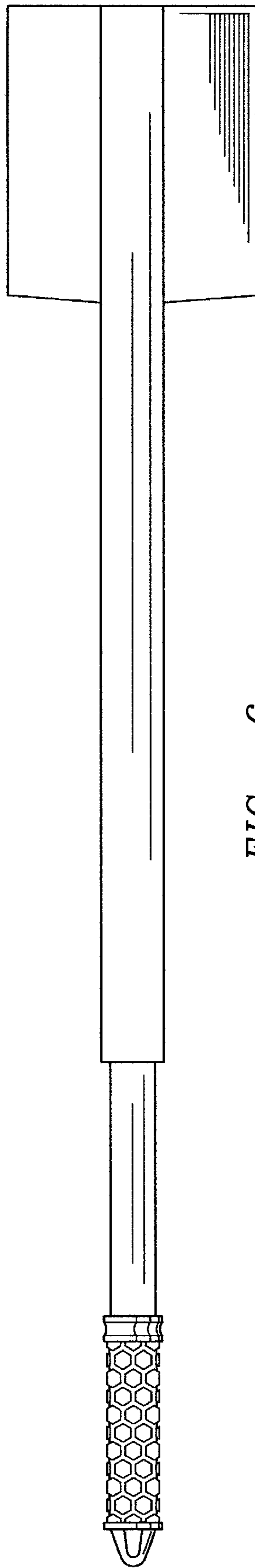


FIG. 6

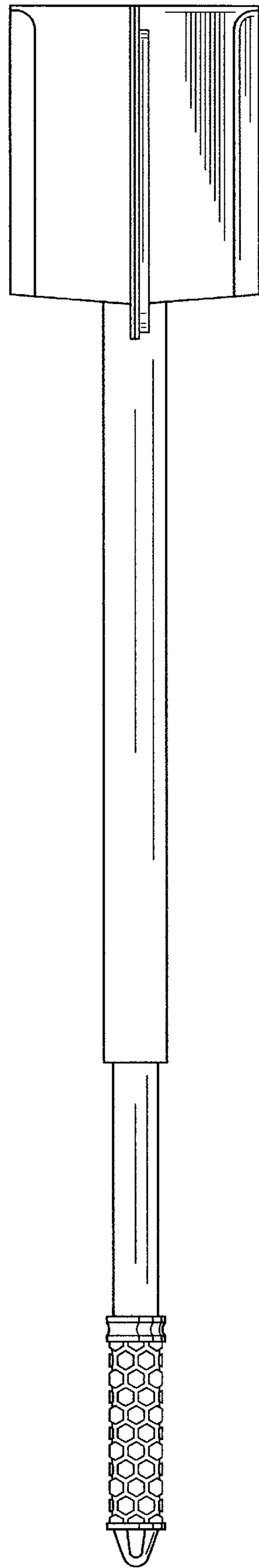


FIG. 7