



US00D450361B1

(12) **United States Design Patent**
Harms et al.

(10) **Patent No.: US D450,361 S**

(45) **Date of Patent: ** Nov. 13, 2001**

- (54) **WEIGHT PLATE**
- (75) Inventors: **Robert E. Harms; Louis Lien; Annie Wu**, all of Houston, TX (US)
- (73) Assignee: **USA Sports, Inc.**, Houston, TX (US)
- (**) Term: **14 Years**
- (21) Appl. No.: **29/127,203**
- (22) Filed: **Aug. 1, 2000**
- (51) **LOC (7) Cl.** **21-02**
- (52) **U.S. Cl.** **D21/681; D21/680**
- (58) **Field of Search** D21/680, 681, D21/682, 683; 482/104, 105, 106, 107, 108, 109

3,913,908	10/1975	Speyer .	
3,971,555	7/1976	Mahnke	482/98
4,079,932	3/1978	Schuetz	481/82
4,199,140 *	4/1980	Ferretti	482/106
4,231,569	11/1980	Rae	482/108
4,311,306	1/1982	Solloway	482/111
4,369,968	1/1983	Price	482/106
4,373,717	2/1983	Lambert, Jr.	482/45
4,455,020	6/1984	Schnell	482/106
4,482,151	11/1984	Zwilling	482/106
4,515,364	5/1985	Rotella	482/139
4,625,959	12/1986	Schleffendorf	482/100
4,673,179	6/1987	Pengler	482/148
4,756,526	7/1988	Broussard	482/108
4,817,944	4/1989	Anderson et al.	482/107
4,828,256	5/1989	Lee	482/106
4,854,575	8/1989	Wilson et al.	482/108
4,880,229	11/1989	Broussard	482/108
5,137,502	8/1992	Anastasi	482/106
5,464,379	11/1995	Zarecky	482/108
5,573,484	11/1996	Carpenter	482/108
5,741,206 *	4/1998	Anastasi	482/106
5,853,355	12/1998	Standish	482/106

(56) **References Cited**
U.S. PATENT DOCUMENTS

D. 194,042	11/1962	Guthormsen .	
D. 216,517	1/1970	Dorn .	
D. 274,283	6/1984	Wright .	
D. 278,358	4/1985	Zwilling .	
D. 299,373 *	1/1989	Parker et al.	D21/682
D. 309,763	8/1990	Solloway .	
D. 354,322 *	1/1995	Vodhanel, Jr.	D21/681
D. 355,007 *	1/1995	Rojas et al.	D21/681
D. 377,202	1/1997	Rohan .	
D. 405,484	2/1999	Rojas et al. .	
D. 421,076 *	2/2000	Lincir	D21/681
D. 433,720 *	11/2000	Rojas et al.	D21/981
D. 433,721 *	11/2000	Rojas et al.	D21/681
D. 434,090 *	11/2000	Wallace et al.	D21/681
1,047,212	12/1912	Hamilton .	
2,244,351	6/1941	Venables .	
2,447,218	8/1948	Trzesniewski .	
2,676,802	4/1954	O'Brien .	
2,796,269	6/1957	Watson .	
3,171,652	3/1965	Newman .	
3,226,117	12/1965	Walklet .	
3,482,835	12/1969	Dean .	
3,572,702	3/1971	Dorn .	
3,771,785	11/1973	Speyer .	
3,796,431	3/1974	Sinyard .	

* cited by examiner

Primary Examiner—Philip S. Hyder
(74) *Attorney, Agent, or Firm*—Nick A. Nichols, Jr.

(57) **CLAIM**

The ornamental design for a weight plate, as shown and described.

DESCRIPTION

FIG. 1 is a perspective view of a weight plate showing our new design;
FIG. 2 is a front view thereof, the opposite side being a mirror image;
FIG. 3 is a top view thereof, the opposite side being a mirror image;
FIG. 4 is a side view thereof, the opposite side being a mirror image; and,
FIG. 5 is a cross-sectional view of the weight plate shown in FIG. 2.

1 Claim, 2 Drawing Sheets

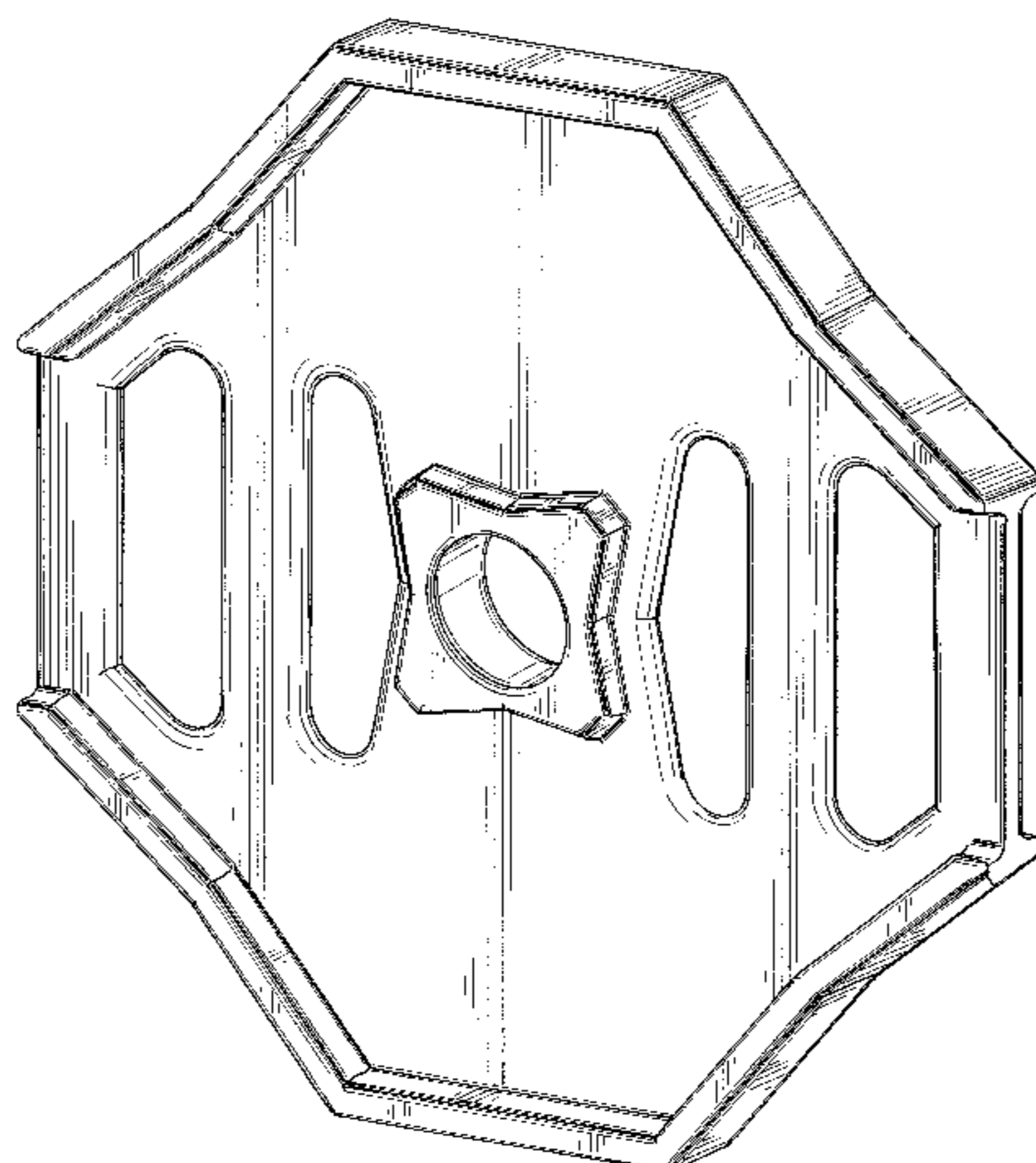


FIG. 1

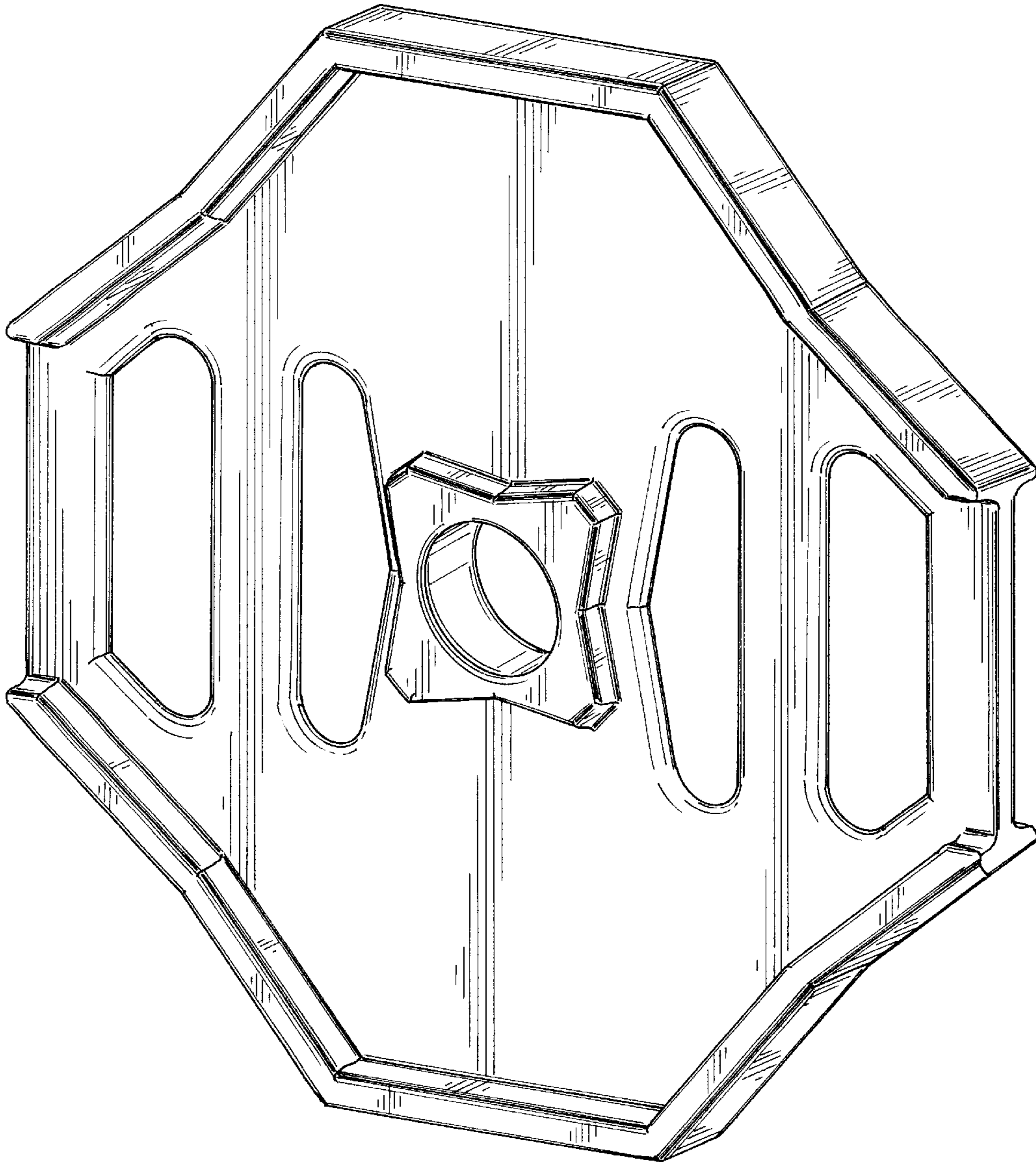


FIG. 3

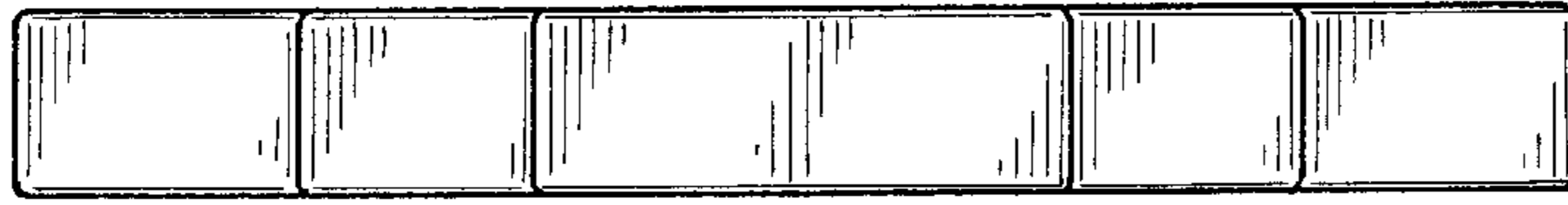


FIG. 2

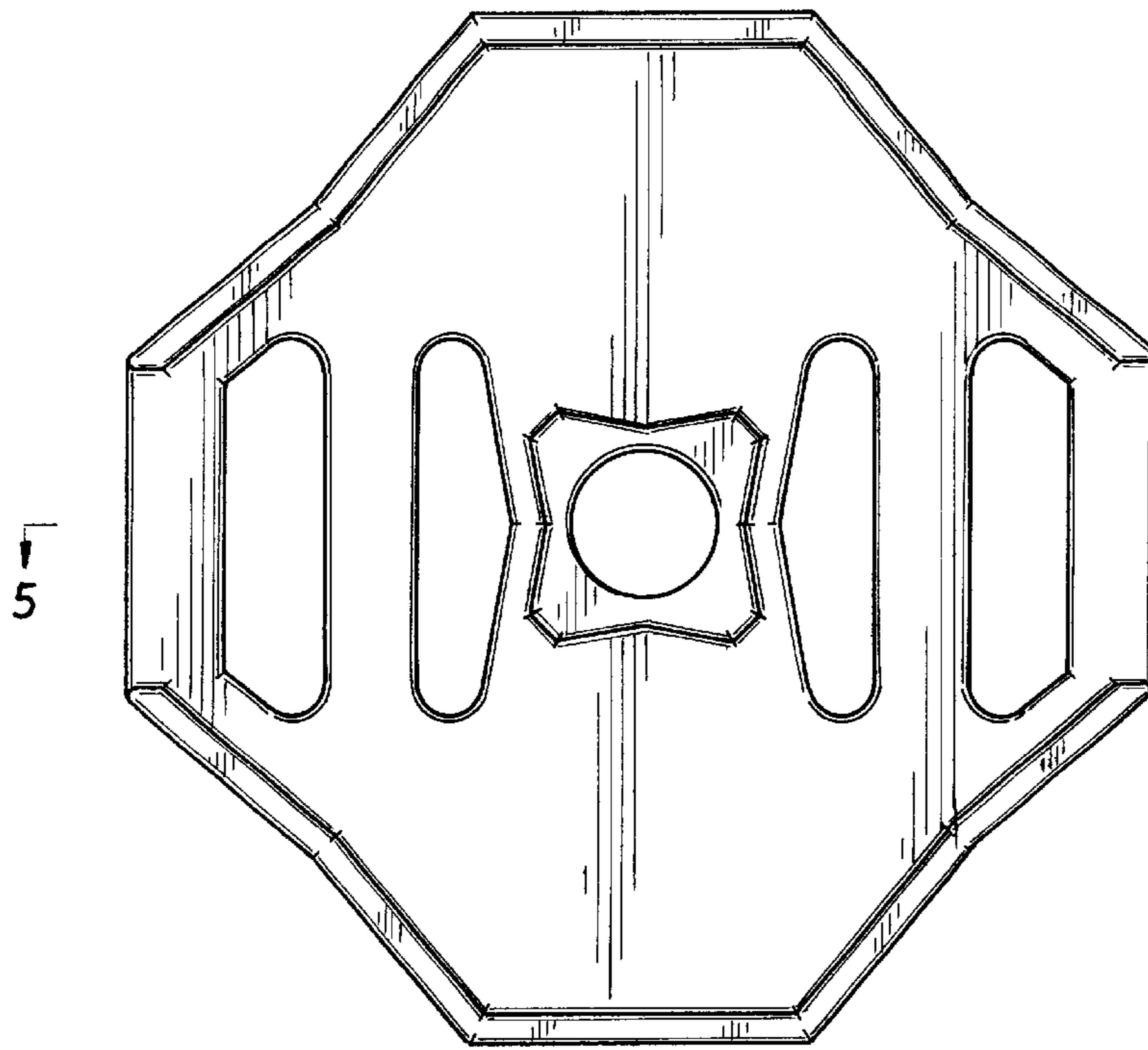


FIG. 4

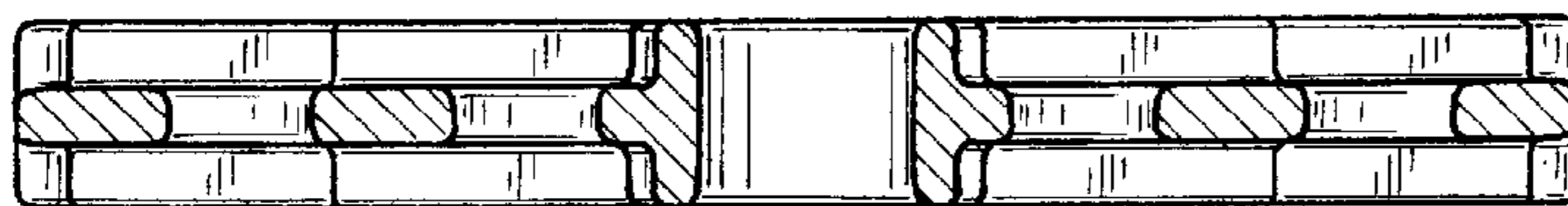
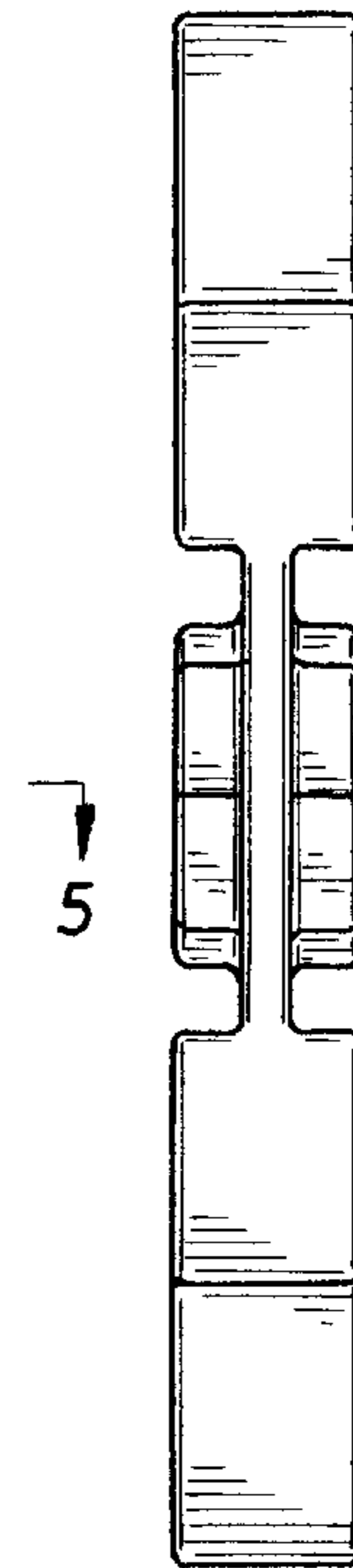


FIG. 5