



US00D450357B1

(12) **United States Design Patent**
Yamazaki

(10) **Patent No.:** **US D450,357 S**

(45) **Date of Patent:** **** Nov. 13, 2001**

(54) **TOY HOUSE**

(75) **Inventor:** **Tomohiro Yamazaki, Tokyo (JP)**

(73) **Assignee:** **Tomy Corporation, Ltd., Tokyo (JP)**

(**) **Term:** **14 Years**

(21) **Appl. No.:** **29/142,011**

(22) **Filed:** **May 18, 2001**

(30) **Foreign Application Priority Data**

Nov. 20, 2000 (JP) 12-033136

(51) **LOC (7) Cl.** **21-01**

(52) **U.S. Cl.** **D21/511**

(58) **Field of Search** D21/506-511,
D21/827; D25/7, 16, 22, 59; 446/110, 423,
476-478

(56) **References Cited**

U.S. PATENT DOCUMENTS

- D. 216,983 * 3/1970 McKibben D21/511
- D. 282,674 * 2/1986 Marschak D21/511
- D. 294,156 * 2/1988 McElhaneay D21/511

- D. 310,395 * 9/1990 Maloney, II D21/511
- D. 409,261 * 5/1999 Kelly D21/506
- D. 426,589 * 6/2000 Law et al. D21/511
- 1,599,513 * 9/1926 Caruso 446/476
- 3,593,454 * 7/1971 Einfalt 446/423

* cited by examiner

Primary Examiner—Raphael Barkai

(74) *Attorney, Agent, or Firm*—Oliff & Berridge, PLC

(57) **CLAIM**

The ornamental design for toy house, as shown and described.

DESCRIPTION

FIG. 1 is a front perspective view of a toy house;
 FIG. 2 is a front view thereof;
 FIG. 3 is a rear view thereof;
 FIG. 4 is a top view thereof;
 FIG. 5 is a bottom view thereof;
 FIG. 6 is a left-side view thereof;
 FIG. 7 is a right-side view thereof; and,
 FIG. 8 is a rear perspective view thereof.

1 Claim, 5 Drawing Sheets

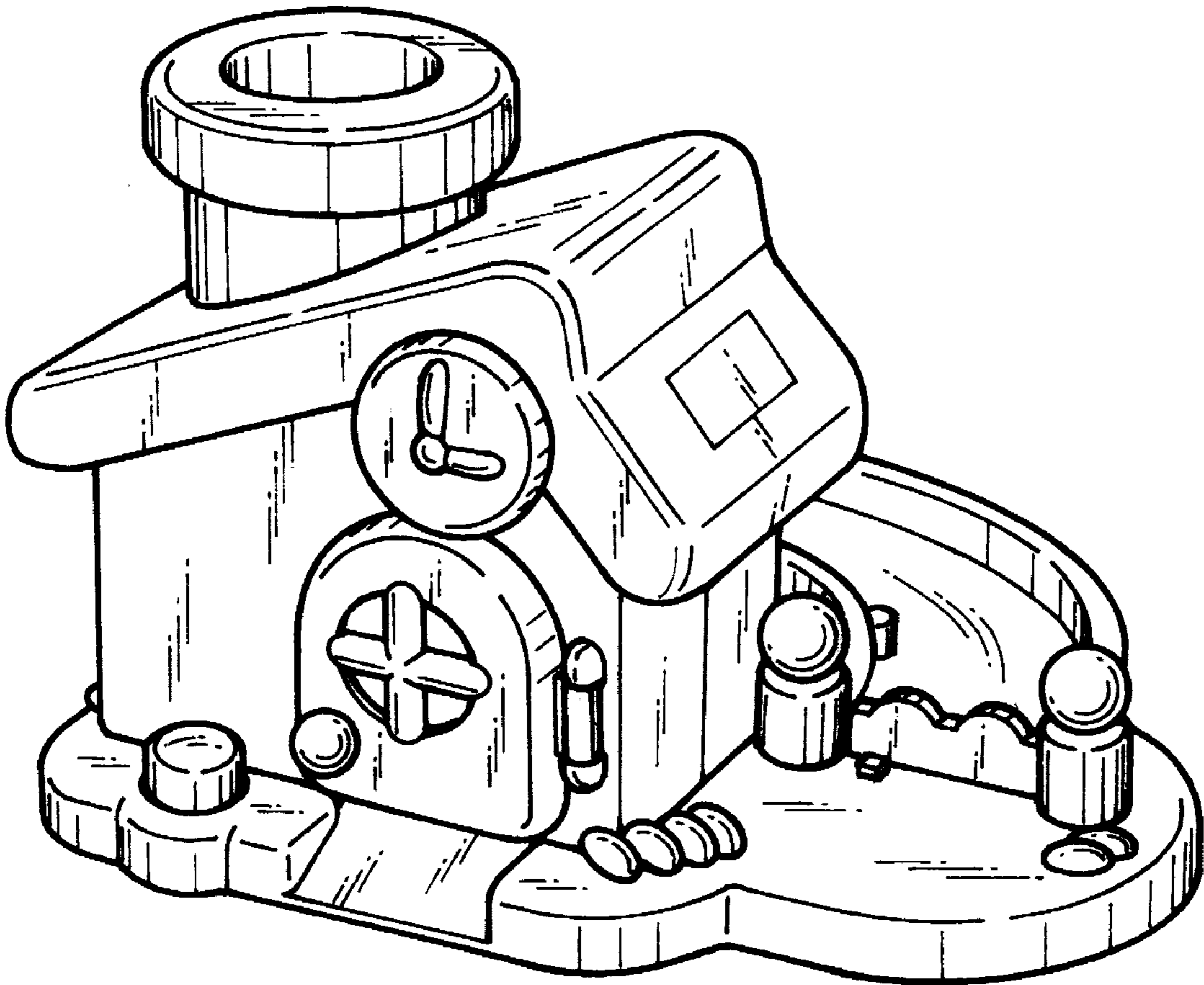


FIG. 1

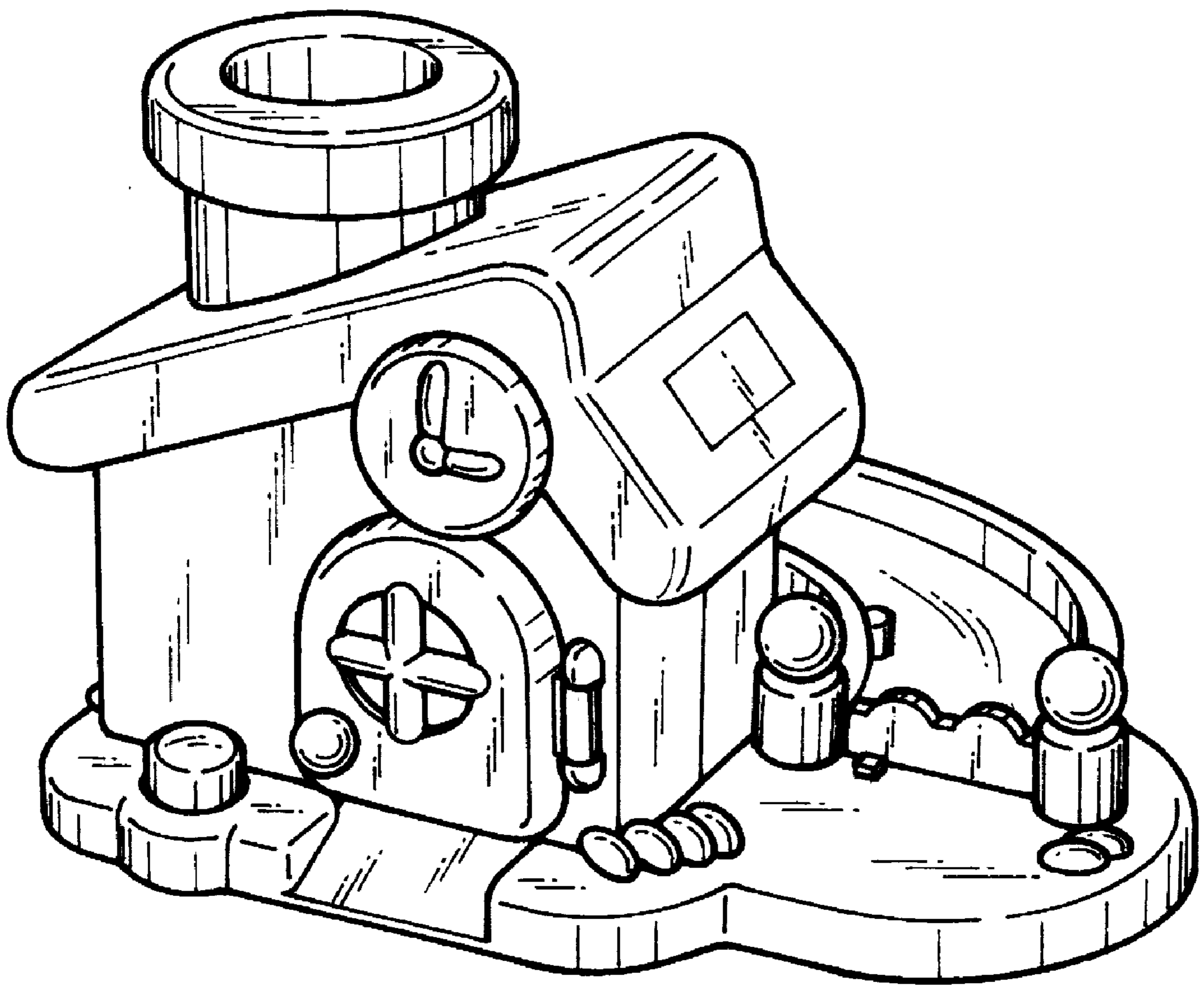


FIG. 2

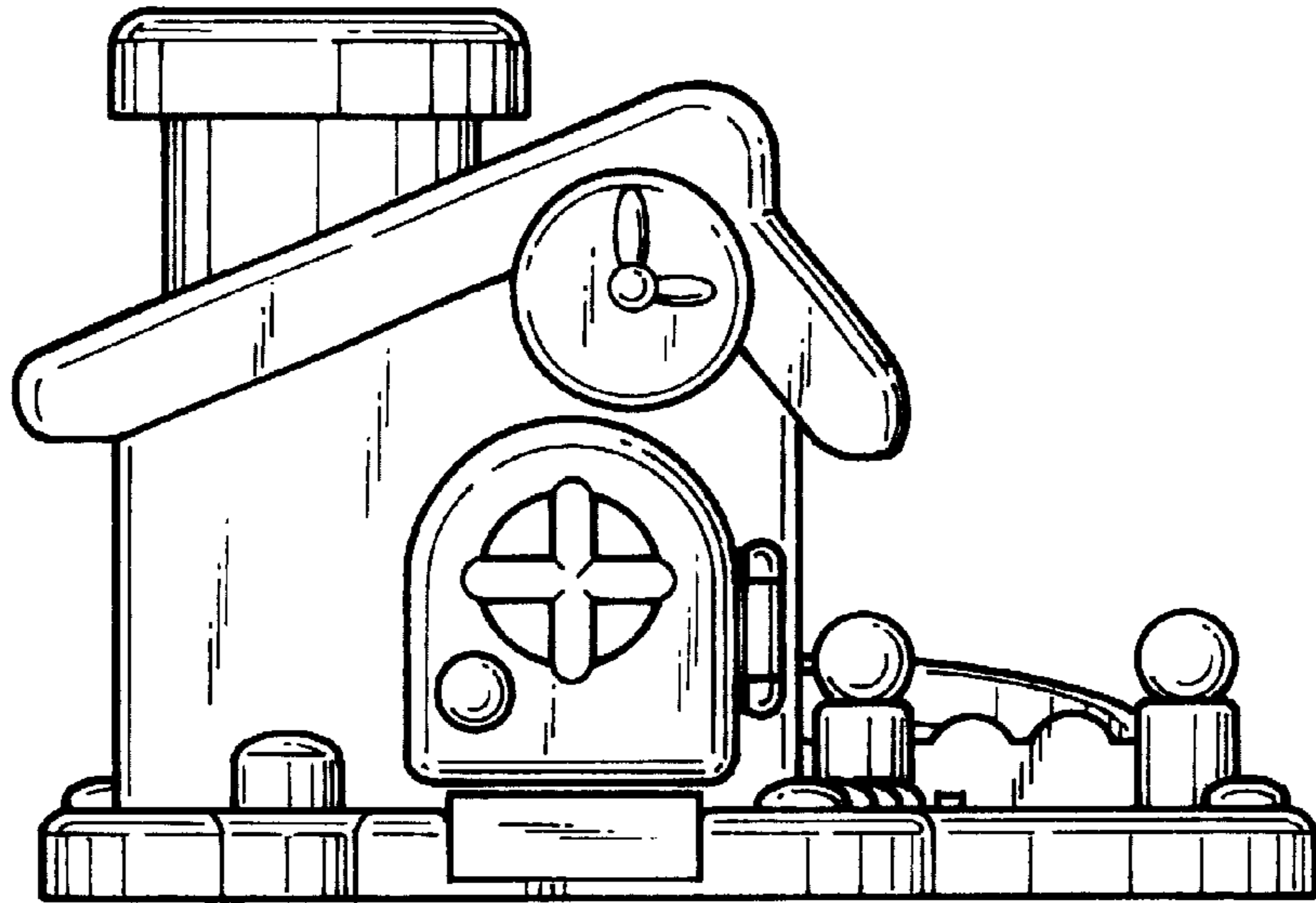


FIG. 3

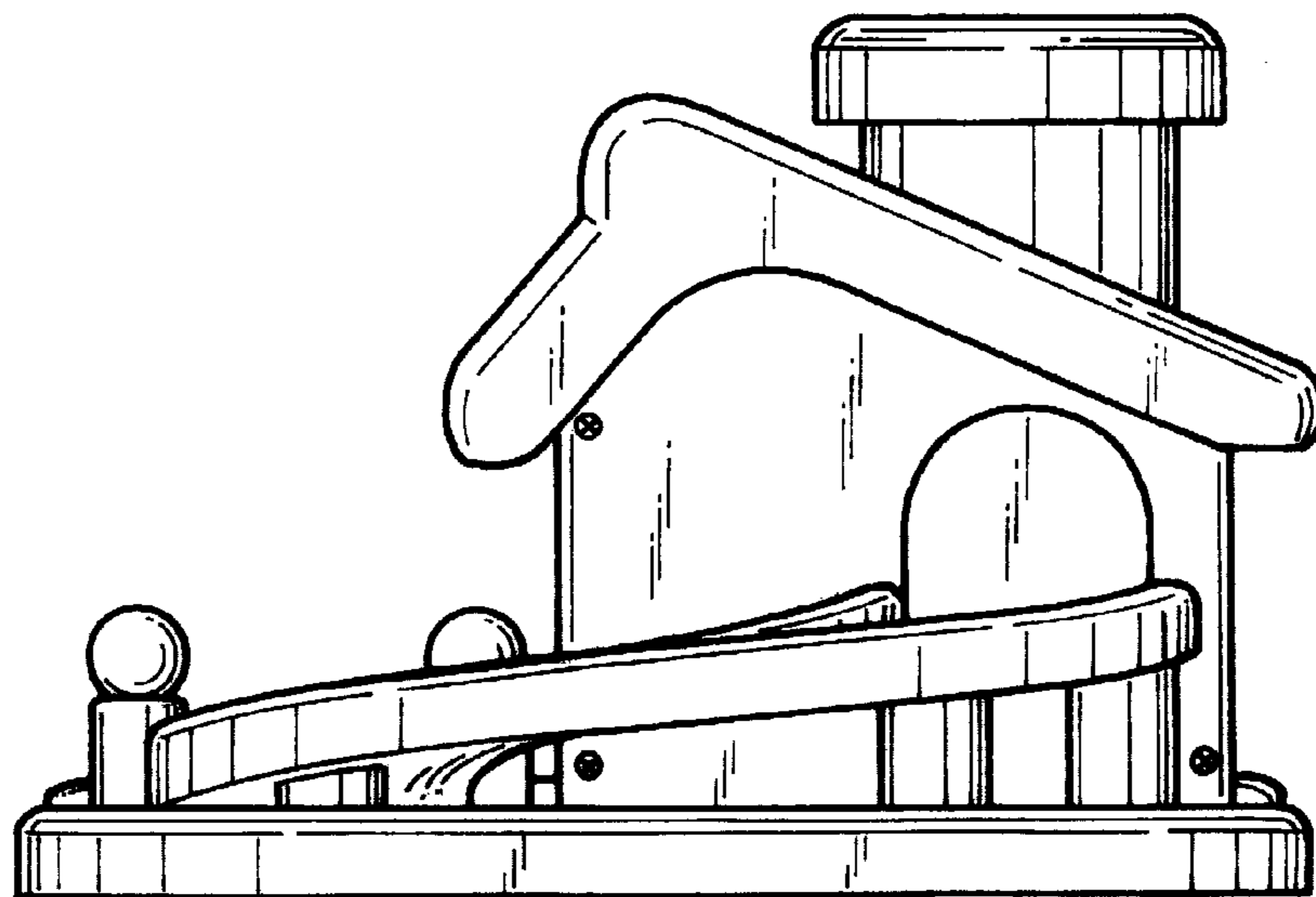


FIG. 4

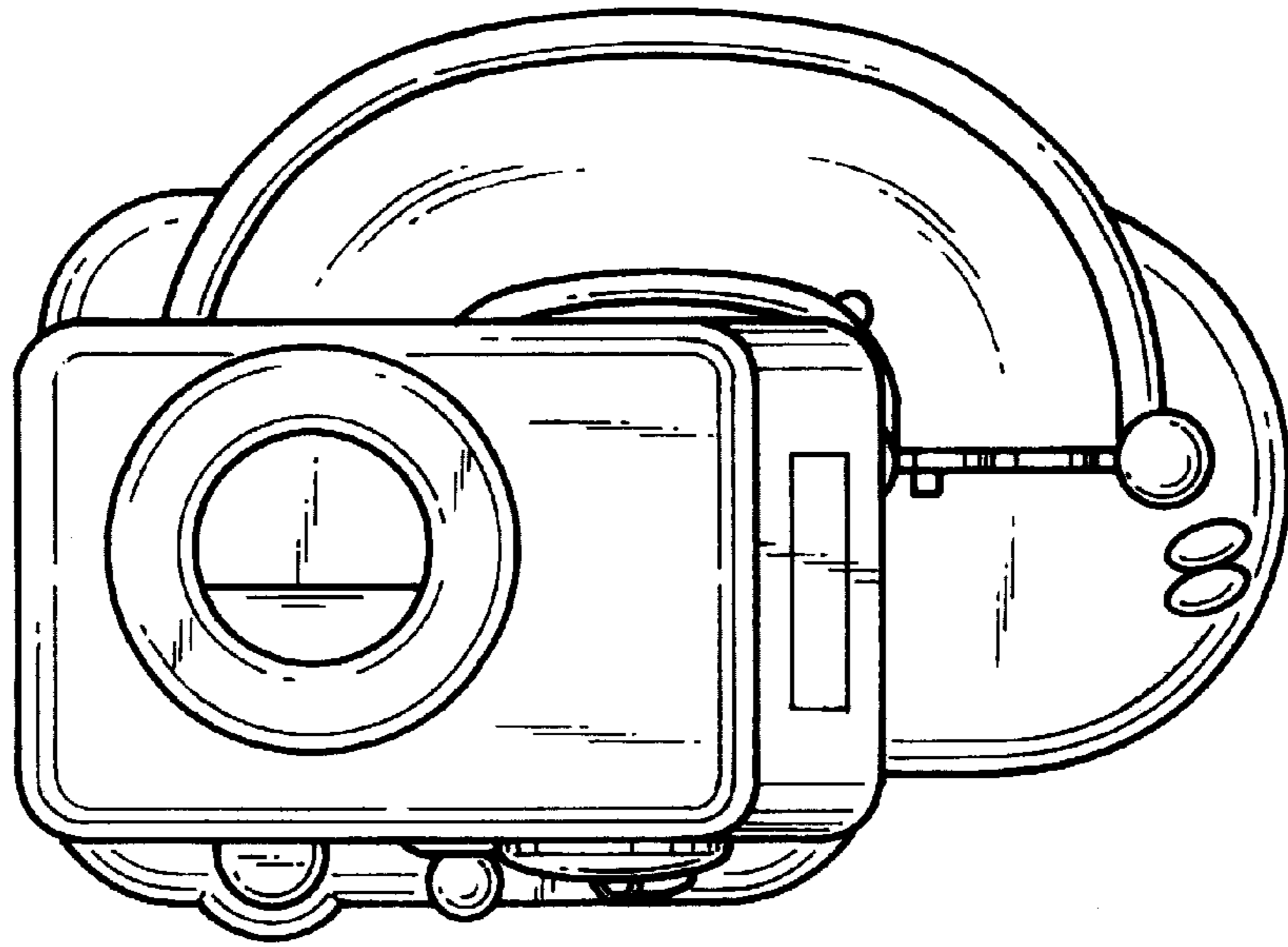


FIG. 5

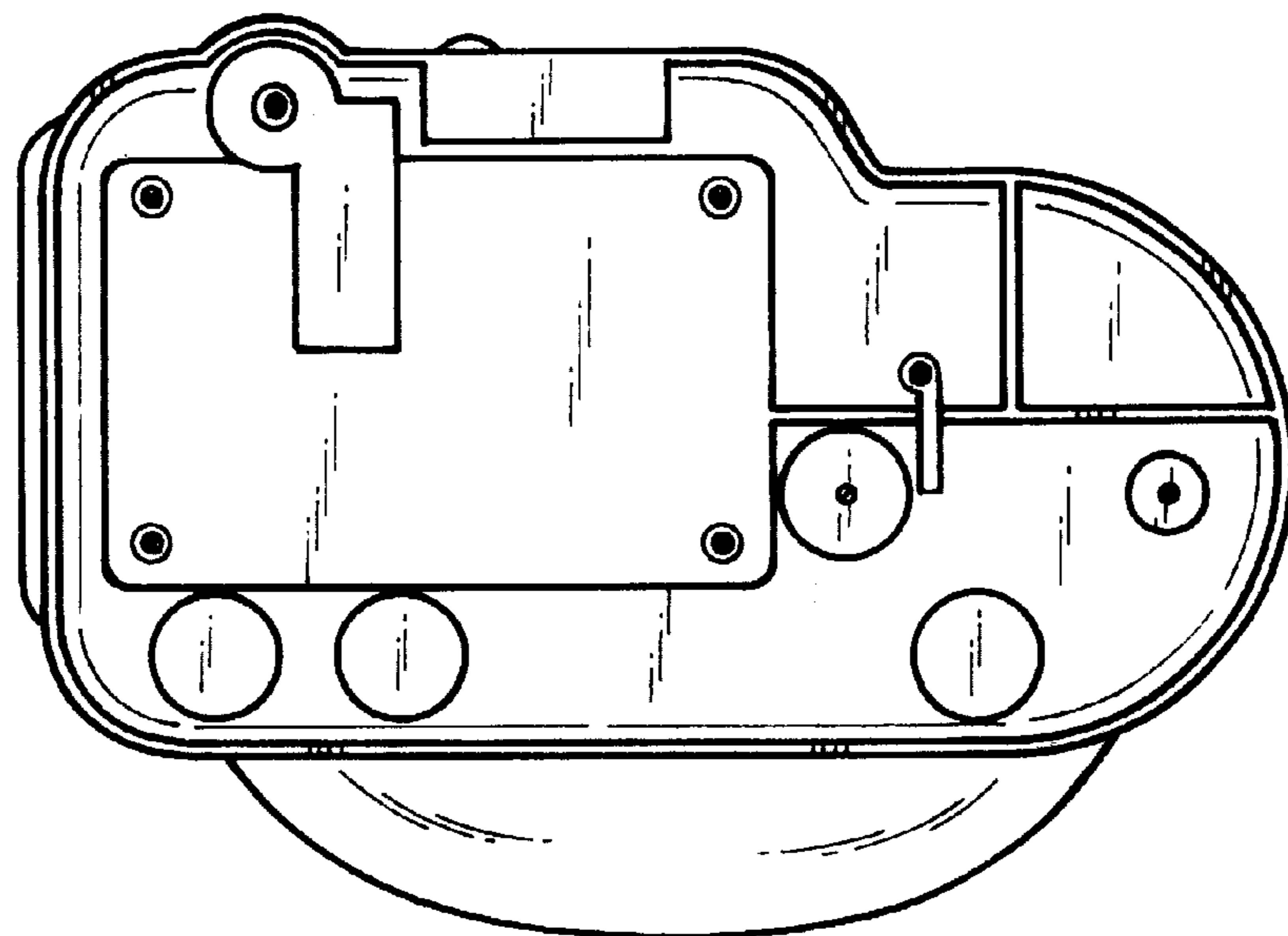


FIG. 6

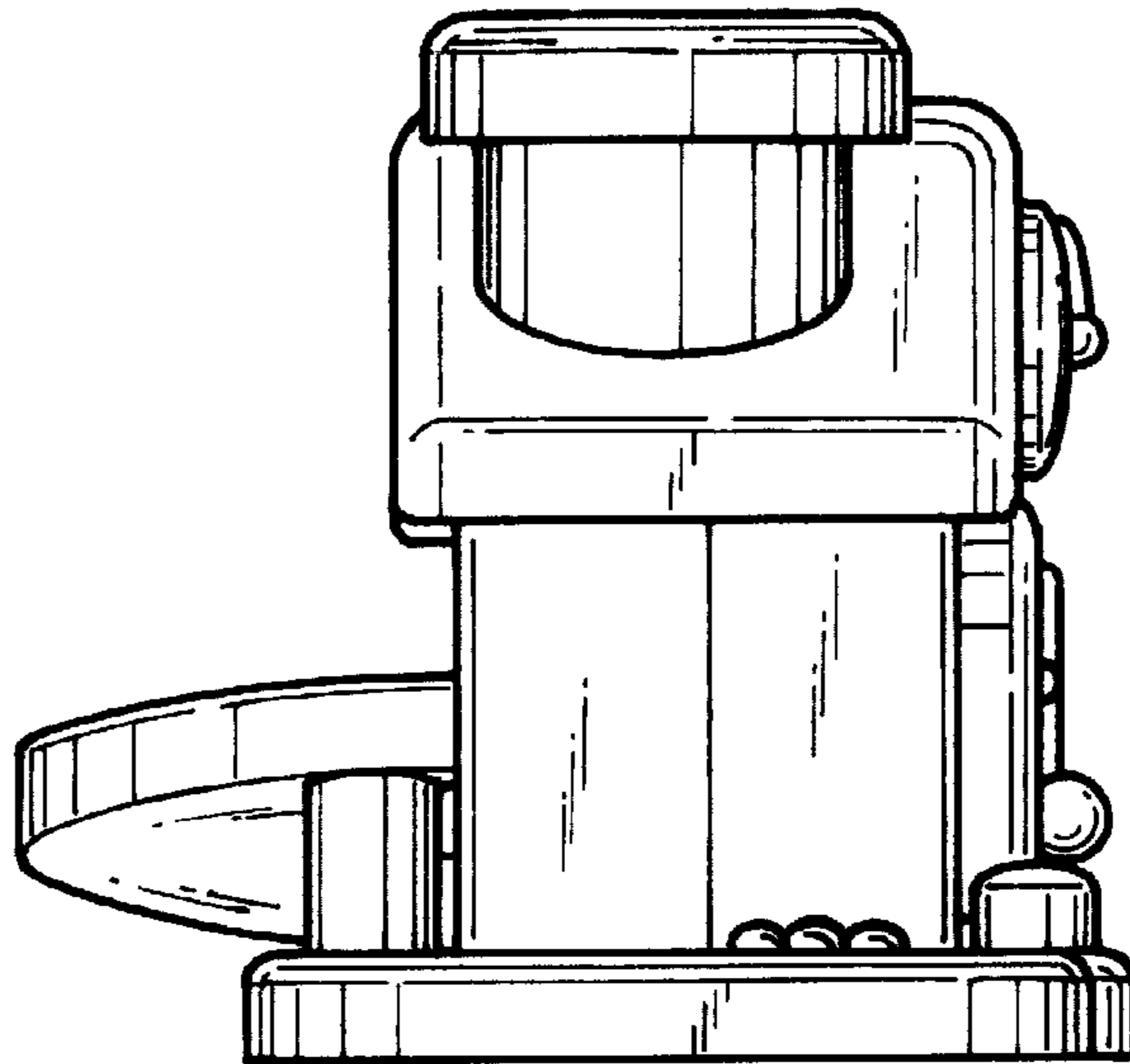


FIG. 7

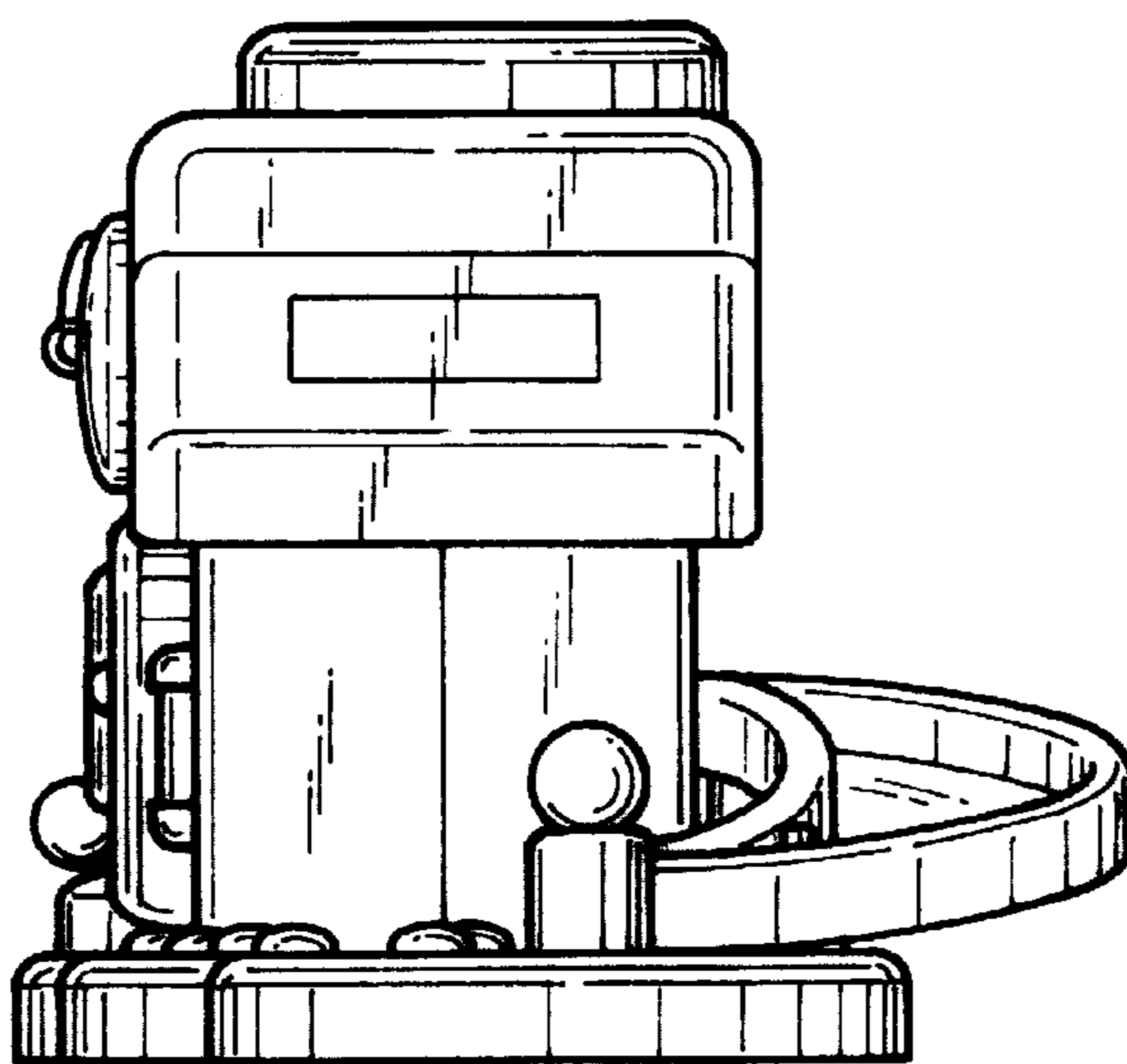


FIG. 8

