



US00D450355B1

(12) **United States Design Patent**
Chan

(10) **Patent No.:** **US D450,355 S**

(45) **Date of Patent:** **** Nov. 13, 2001**

(54) **ELECTRIC SCOOTER**

5,848,660 * 12/1998 McGreen 280/87.041
6,206,387 * 3/2001 Tsai 280/87.041

(76) Inventor: **Porter Chan**, No. 676, Chunghsiao Rd., Chia-I (TW)

* cited by examiner

(**) Term: **14 Years**

Primary Examiner—Raphael Barkai
(74) *Attorney, Agent, or Firm*—Alan Kamrath; Rider, Bennett, Egan & Arundel, LLP

(21) Appl. No.: **29/139,865**

(22) Filed: **Apr. 6, 2001**

(57) **CLAIM**

(51) **LOC (7) Cl.** **21-01**

The ornamental design for an electric scooter, as shown.

(52) **U.S. Cl.** **D21/423**

DESCRIPTION

(58) **Field of Search** D21/419, 421,
D21/423, 424, 426, 435, 760, 765, 771;
D12/107, 110–112; 280/87.01, 87.04, 87.041,
87.042, 87.05; 180/181, 216, 219

FIG. 1 is a perspective view of an electric scooter showing my new design;

FIG. 2 is a front elevational view thereof;

FIG. 3 is a rear elevational view thereof;

FIG. 4 is a left side view thereof;

FIG. 5 is a right side view thereof;

FIG. 6 is a top plain view thereof; and,

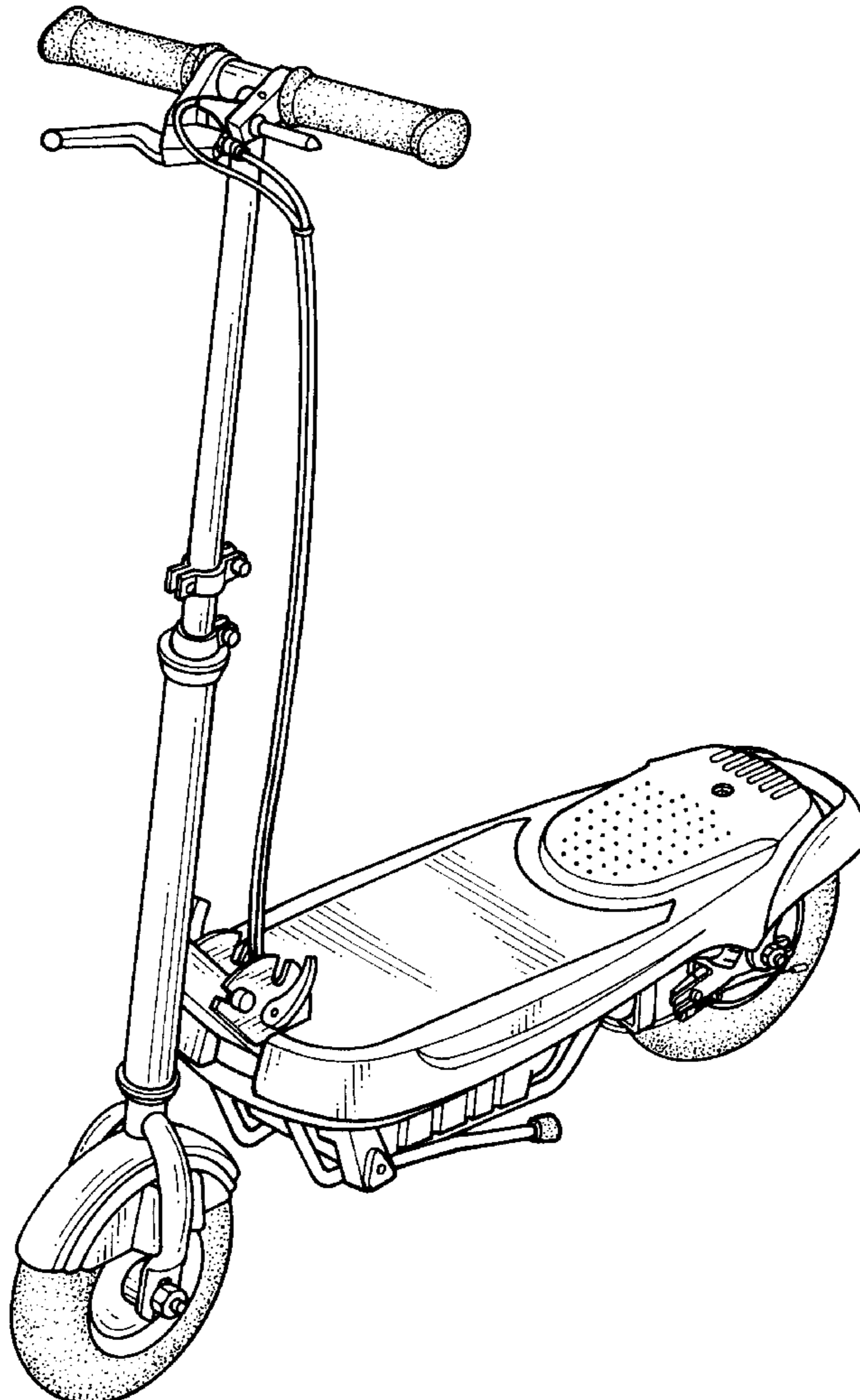
FIG. 7 is a bottom plain view thereof.

(56) **References Cited**

U.S. PATENT DOCUMENTS

D. 326,290 * 5/1992 Badsey D21/423
D. 433,718 * 11/2000 McGreen D21/423
4,842,091 * 6/1989 Badsey 180/219

1 Claim, 5 Drawing Sheets



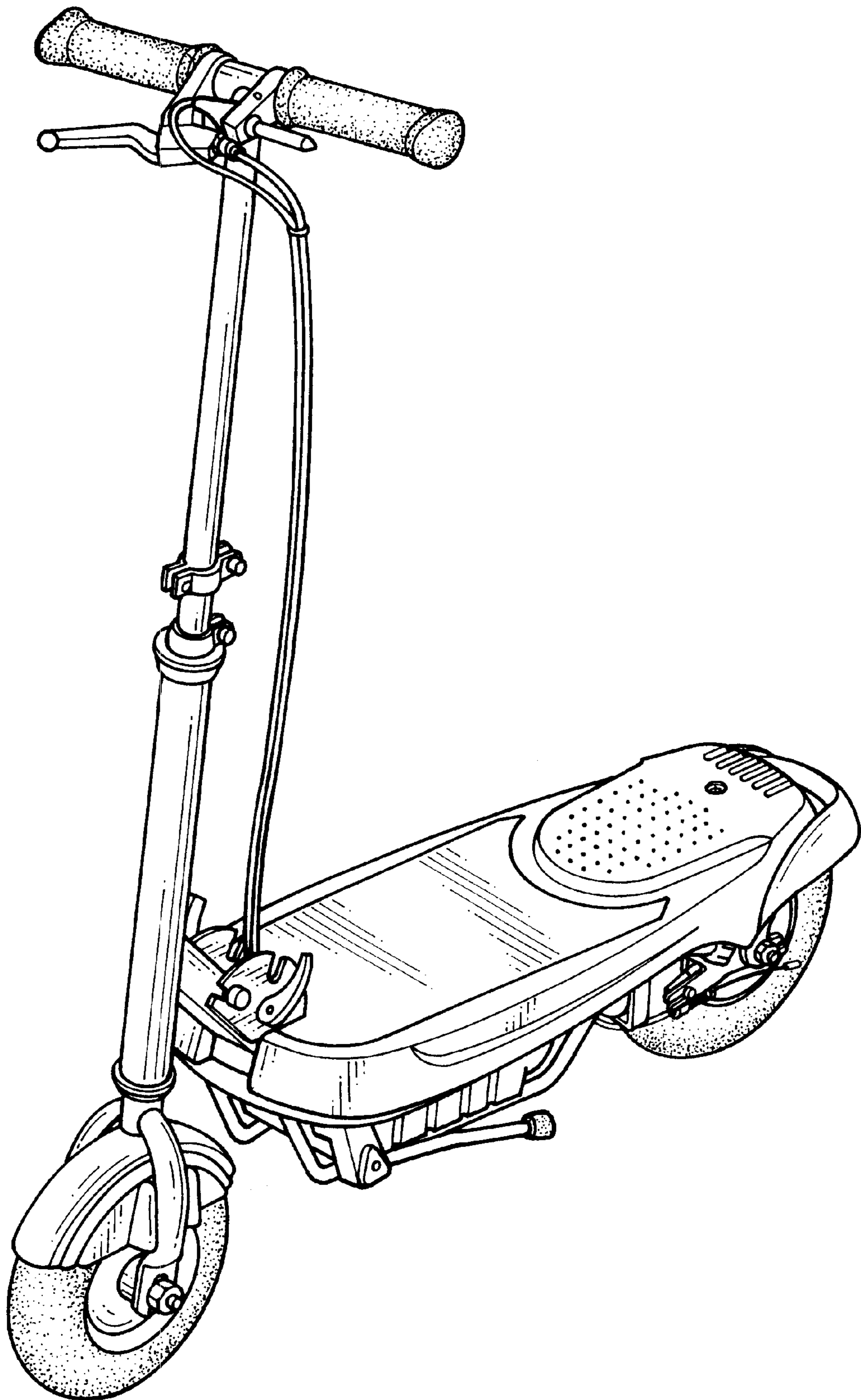


FIG. 1

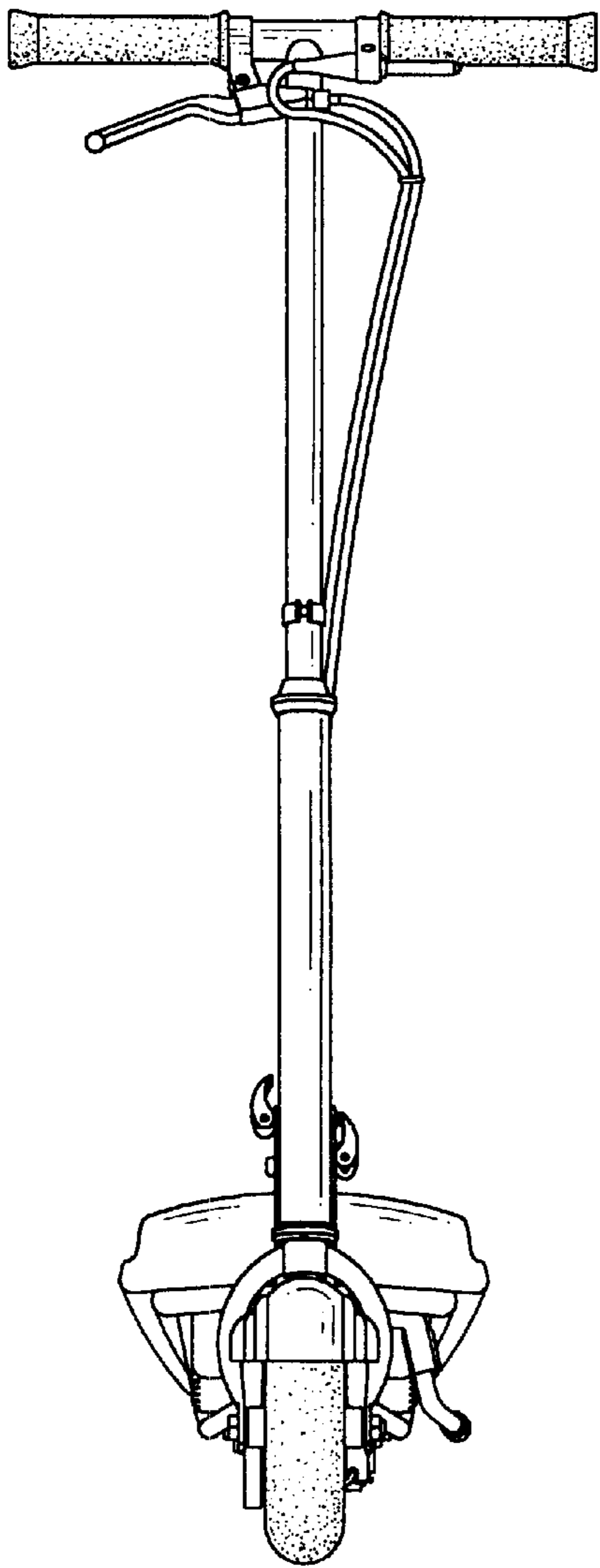


FIG. 2

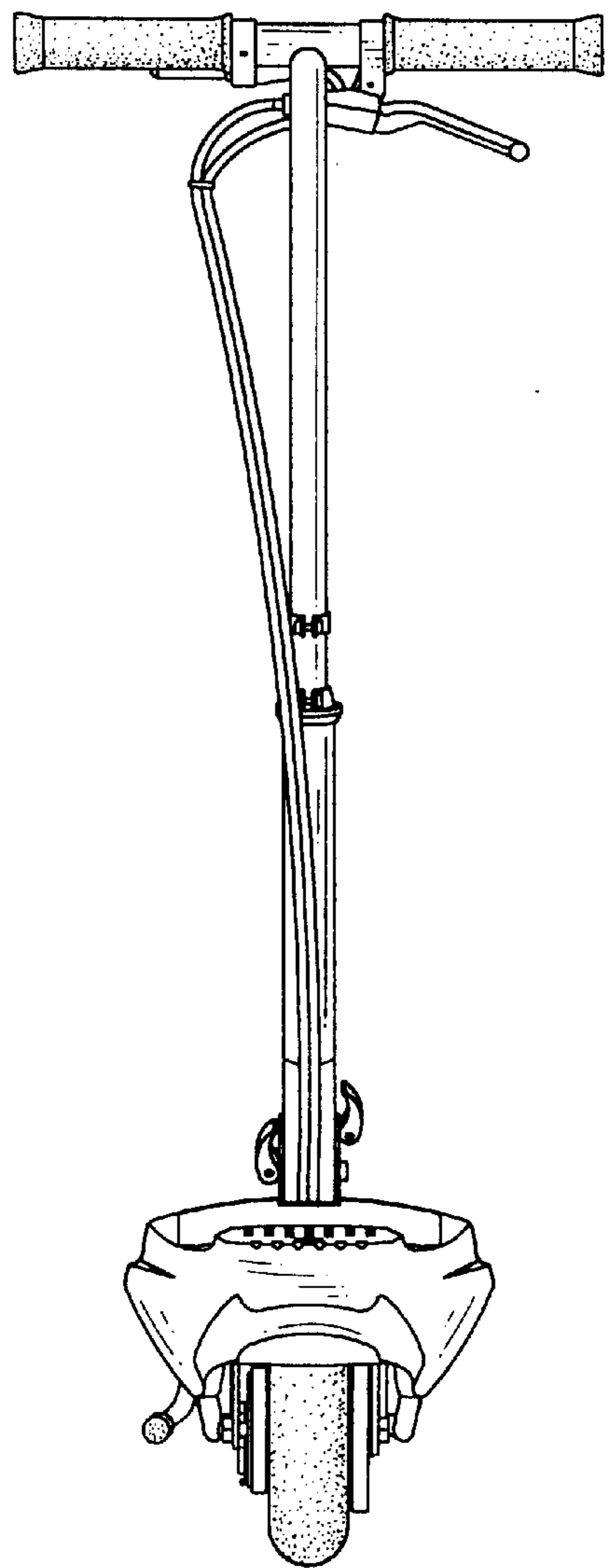


FIG. 3

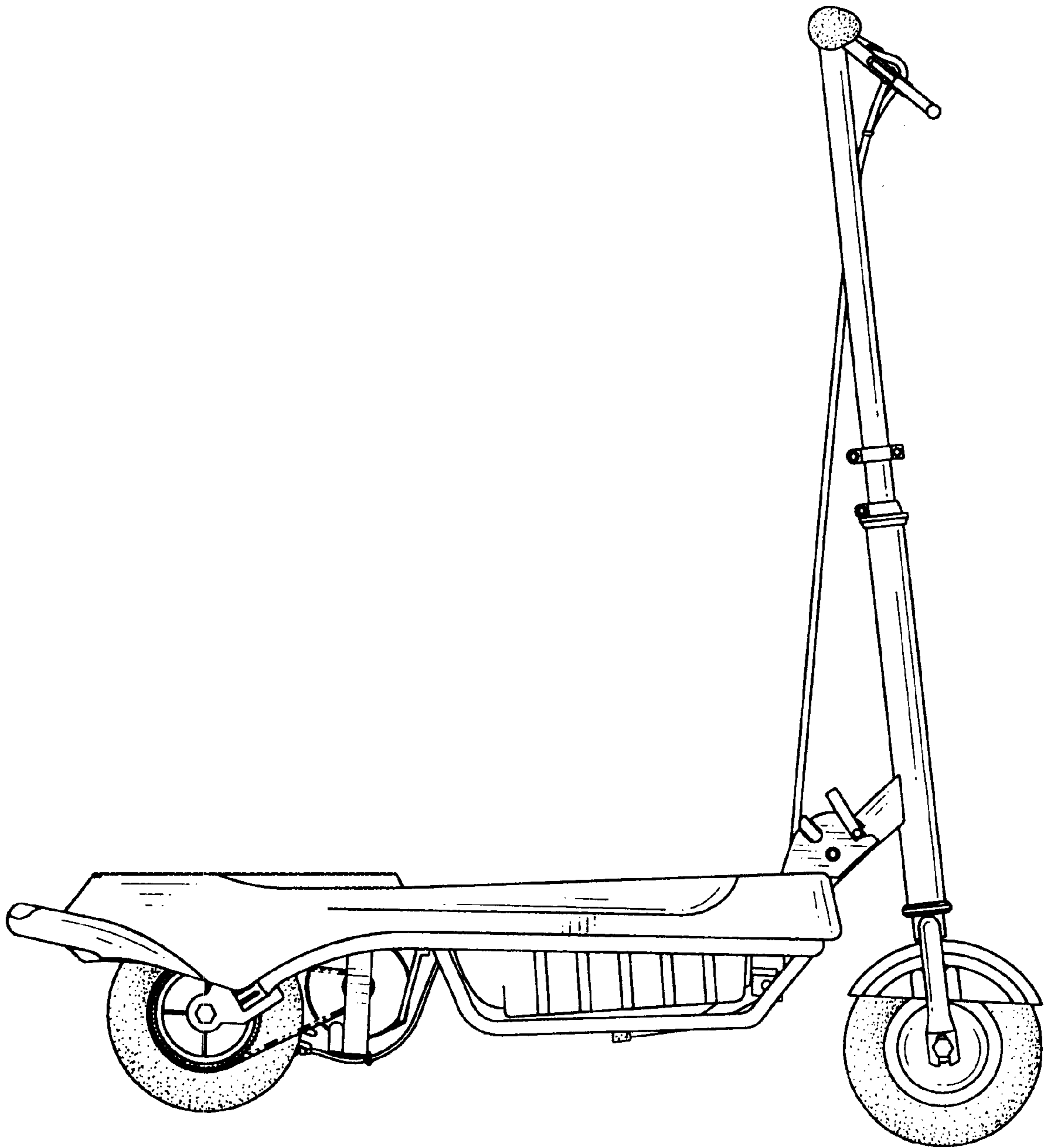


FIG. 4

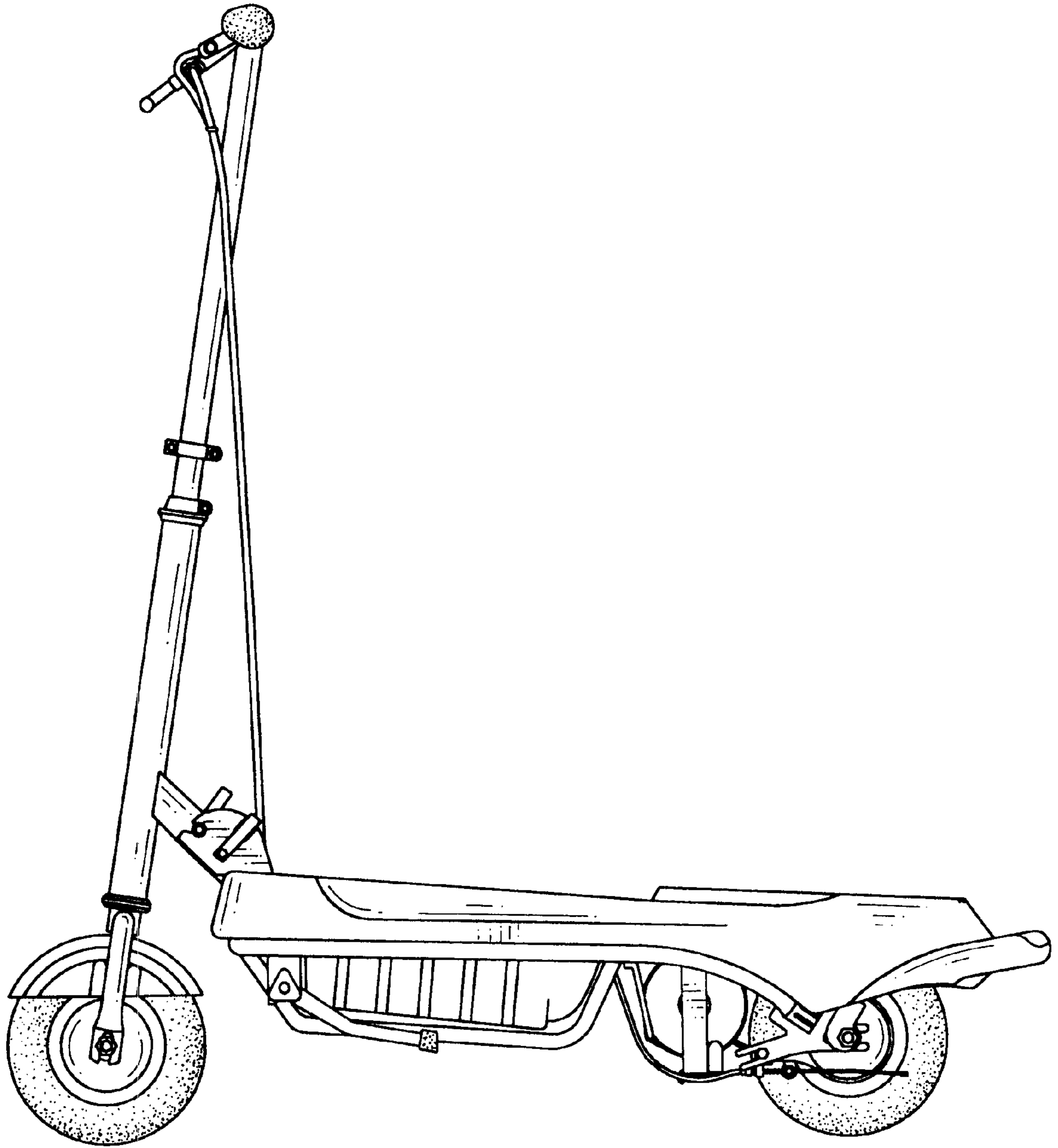


FIG. 5

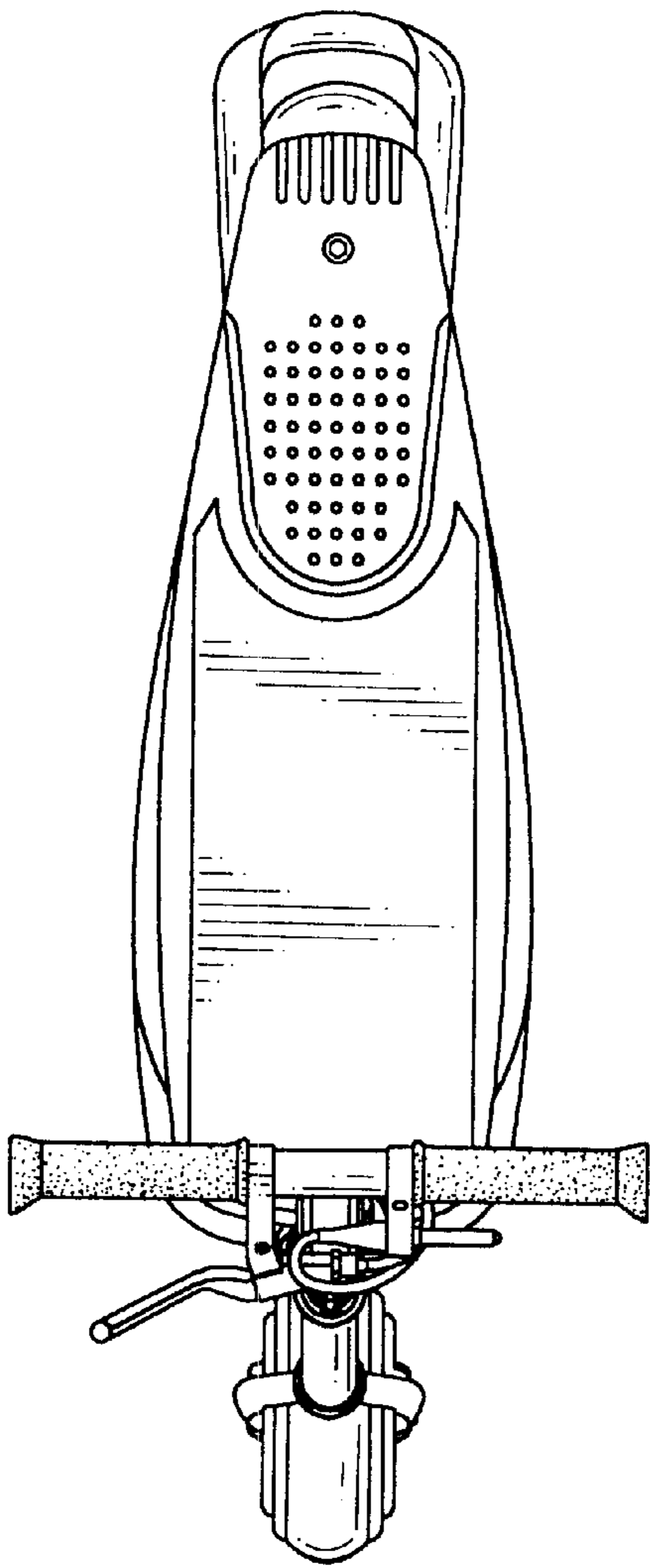


FIG. 6

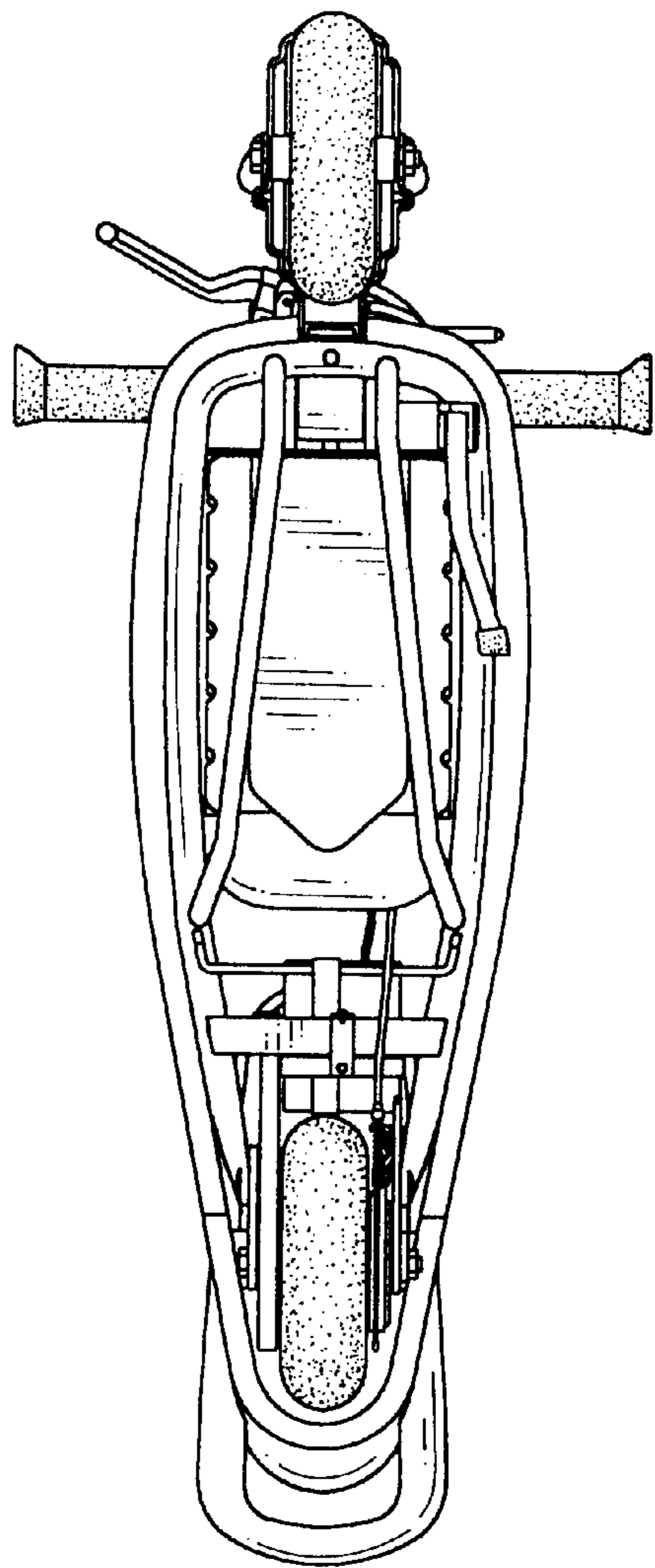


FIG. 7