



US00D450353B1

(12) **United States Design Patent**  
**LeSourd et al.**

(10) **Patent No.:** **US D450,353 S**

(45) **Date of Patent:** **\*\* Nov. 13, 2001**

(54) **TRAY FOR A GAMING DEVICE**

(75) Inventors: **Kehl T. LeSourd; Jean P. Legras;**  
**Joseph R. Hedrick**, all of Reno, NV  
(US)

(73) Assignee: **IGT**, Reno, NV (US)

(\*\*) Term: **14 Years**

(21) Appl. No.: **29/130,981**

(22) Filed: **Oct. 12, 2000**

(51) **LOC (7) Cl.** ..... **21-01**

(52) **U.S. Cl.** ..... **D21/385; D21/369; D21/325;**  
D21/333

(58) **Field of Search** ..... D21/369, 370,  
D21/371, 324-329, 333, 385, 386; 273/148 B,  
148 R, 138.1, 278, 288, 143 R, 141 A,  
142 B, 139, 459-461, 269, 138.2; 463/16-22,  
13, 29-35

(56) **References Cited**

**U.S. PATENT DOCUMENTS**

D. 236,720 \* 9/1975 Baker ..... D21/370  
D. 274,536 \* 7/1984 Rodesch ..... D21/325  
D. 284,592 7/1986 Drews et al. .

(List continued on next page.)

**FOREIGN PATENT DOCUMENTS**

M9409371 \* 3/1995 (DE) .  
0426301 \* 5/1991 (EP) ..... 273/143 R  
000443738 \* 8/1991 (EP) ..... 273/143 R  
406304296 A \* 11/1994 (JP) ..... 273/148 R

**OTHER PUBLICATIONS**

L.A. Slot Machine Co. Inc., Bally Gaming, Sigma Maodel  
B-9, Sep. 1997.\*

L.A. Slot Machine Co. Inc., Bally Gaming, Royal Diamond  
and Jungle Treasure, Sep. 1997.\*

Slot Machine published by Reno-Tahoe Specialty, Inc. in  
1989.

Elvis Brochure published by IGT in 1999.

Totem Pole Brochure published by IGT in 1997.  
Slotopoly Brochure published by IGT in 1998.  
Wheel of Fortune Brochure published by IGT in 1999.  
Mega Jackpots Brochure published by IGT in 1998.  
Top Dollar Brochure published by IGT in 1998.  
Keno Machine Picture published by IGT. no date known.  
Morph Game Pictures published by IGT on Sep. 12, 1999.

*Primary Examiner*—Prabhakar Deshmukh

(74) *Attorney, Agent, or Firm*—Bell, Boyd & Lloyd LLC

(57) **CLAIM**

The ornamental design for a tray for a gaming device, as  
shown and described.

**DESCRIPTION**

This application is related to the following commonly-  
owned co-pending design and utility patent applications:  
“Display and Mask for a Gaming Device,” Ser. No. 29/130,  
997, “Display and Mask for a Gaming Device,” Ser. No.  
29/131,001, “Display and Mask for a Gaming Device,” Ser.  
No. 29/131,076, “Player Interface and Tray for a Gaming  
Device,” Ser. No. 29/130,983, “Player Interface With Bol-  
ster for a Gaming Device,” Ser. No. 29/130,980, “Plate for  
a Midsection of a Gaming Device,” Ser. No. 29/130,992,  
“Top Unit and Base for a Gaming Device,” Ser. No. 29/130,  
979. “Base for a Top Unit of a Gaming Device,” Ser. No.  
29/130,982, “Gaming Device,” Ser. No. 29/130,996, and  
“Protected Coin Tray for Use with a Gaming Device,” Ser.  
No. 09/685,186.

FIG. 1 is a front perspective view of a gaming device  
showing the tray of our new design, that portion of the  
gaming device shown in phantom is not part of the design  
sought to be patented and is provided for environmental  
purposes only;

FIG. 2 is an enlarged front perspective view of the tray of  
our new design;

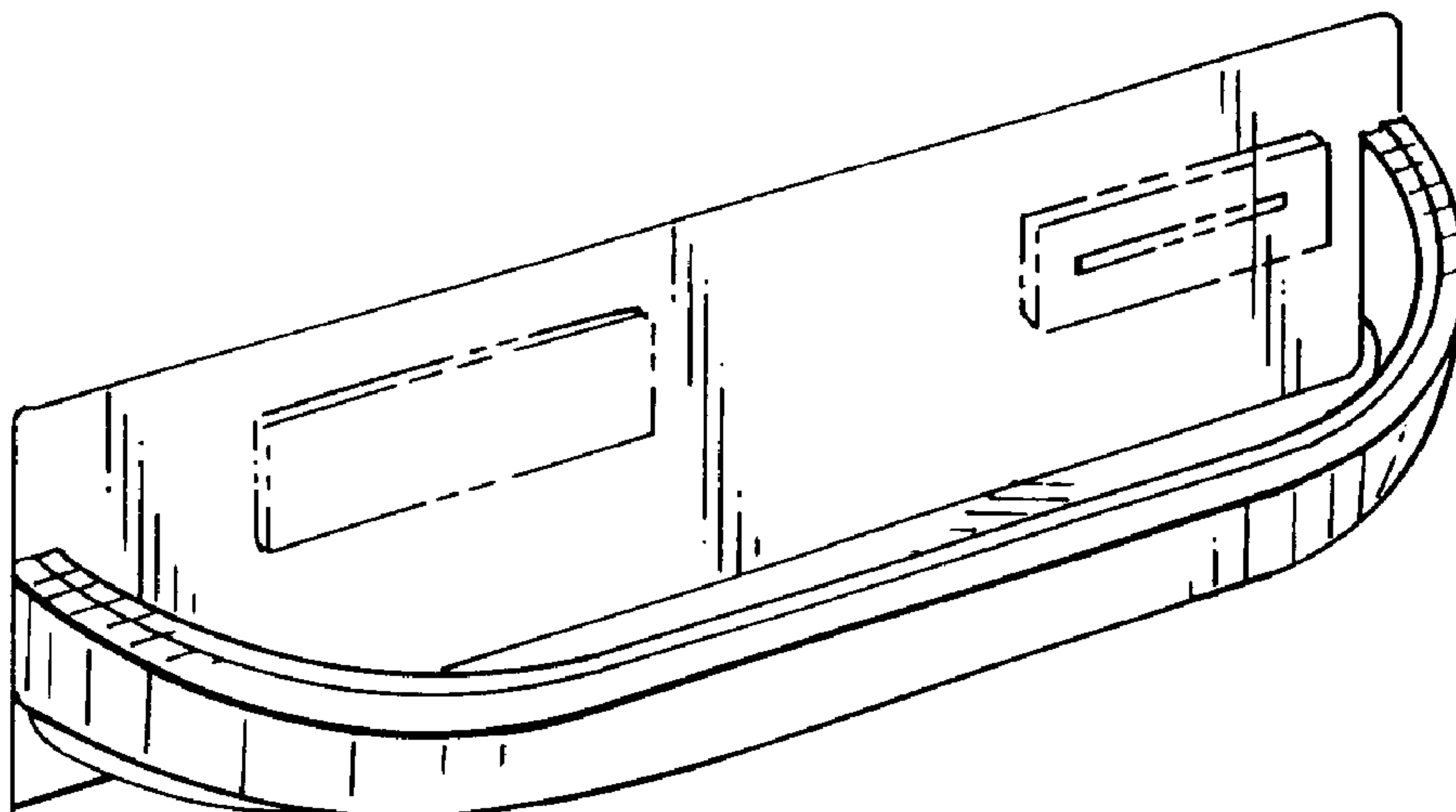
FIG. 3 is a left side elevation view of the tray, the right side  
being a mirror image thereof;

FIG. 4 is a top plan view of the tray;

FIG. 5 is a front elevational view of the tray; and,

FIG. 6 is a bottom plan view of the tray of our design.

**1 Claim, 1 Drawing Sheet**



# US D450,353 S

Page 2

---

U.S. PATENT DOCUMENTS			
D. 301,494	*	6/1989	Gutknecht ..... D21/385
D. 333,164	*	2/1993	Kraft et al. .... D21/325
D. 383,802	*	9/1997	Levy ..... D21/385
D. 397,732	*	9/1998	Serowik et al. .... D21/369
D. 400,597		11/1998	Hedrick et al. .
D. 403,363		12/1998	McGahn et al. .
D. 404,084		1/1999	Hedrick et al. .
D. 404,436		1/1999	McGahn et al. .
D. 406,615		3/1999	Griswold et al. .
D. 412,347		7/1999	DeSimone et al. .
D. 416,054		11/1999	McGahn et al. .
D. 417,145	*	11/1999	McLaughlin ..... D21/325
D. 421,277		2/2000	McGahn et al. .
D. 439,931	*	4/2001	Yamaguchi ..... D21/369
3,259,389	*	7/1966	Blondell ..... 463/17
4,695,053		9/1987	Vazquez, Jr. et al. .
4,991,848		2/1991	Greenwood et al. .
5,611,535		3/1997	Tiberio .
5,813,914	*	9/1998	McKay et al. .... 463/20
5,820,460	*	10/1998	Fulton ..... D21/369
5,984,781		11/1999	Sunaga .
6,012,982		1/2000	Piechowiak et al. .
6,047,966	*	4/2000	Hishinuma et al. .... 273/148 R
6,056,642		5/2000	Bennett .
6,102,394	*	8/2000	Wurz et al. .... 273/138.2
6,102,798		8/2000	Bennett .
6,161,805		12/2000	Wells .
6,168,522		1/2001	Walker et al. .

\* cited by examiner

FIG. 1

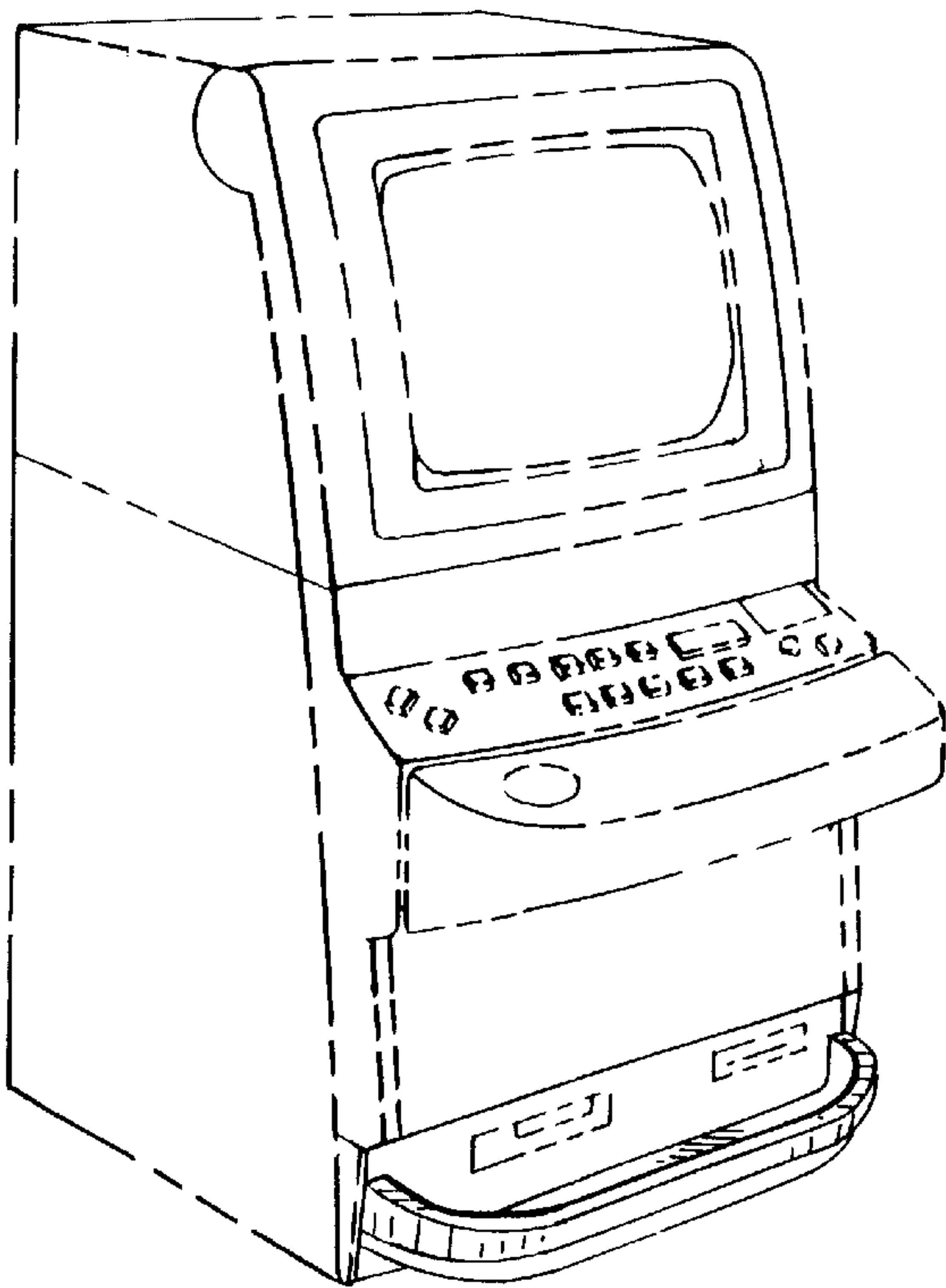


FIG. 2

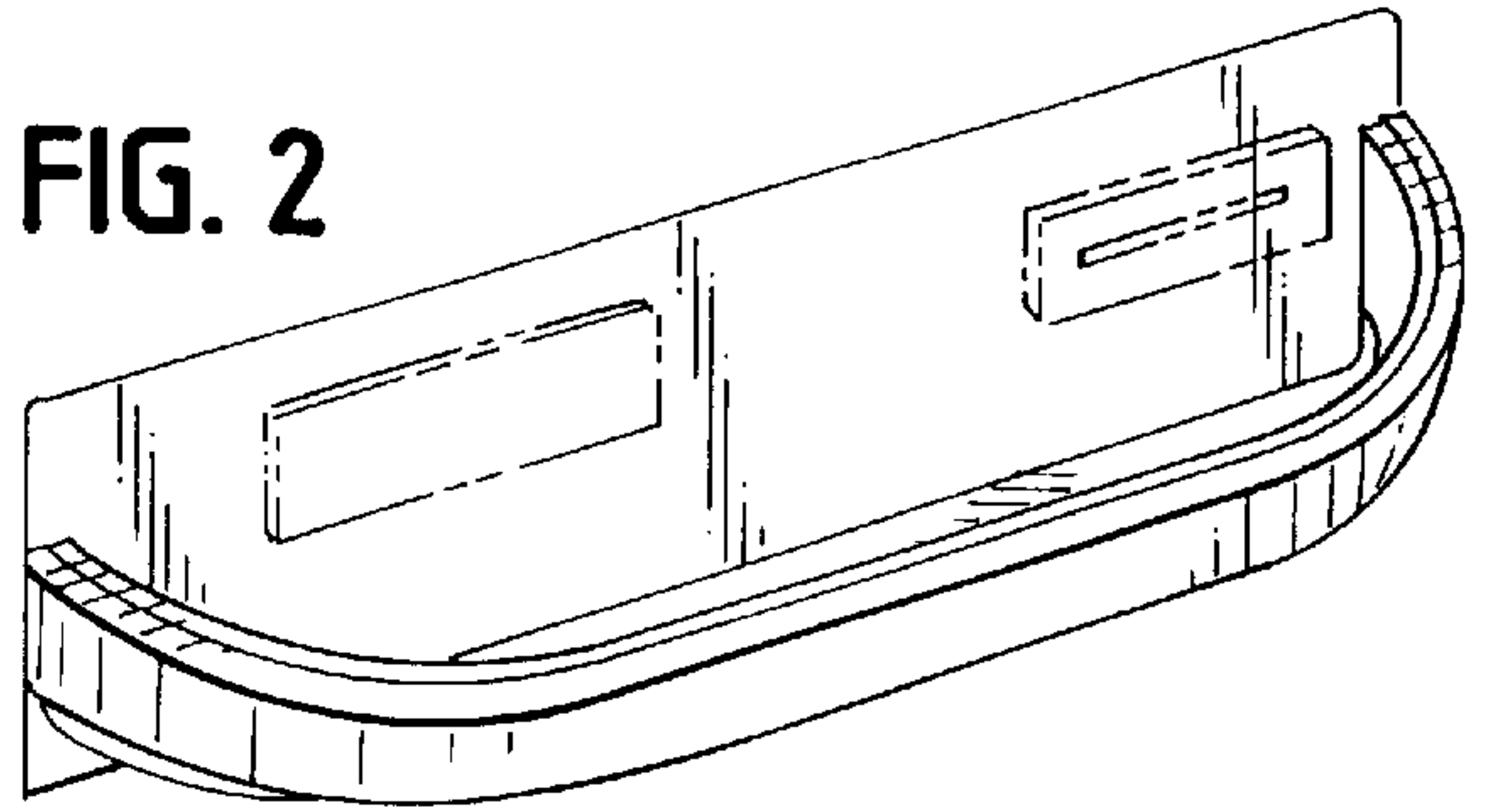


FIG. 3

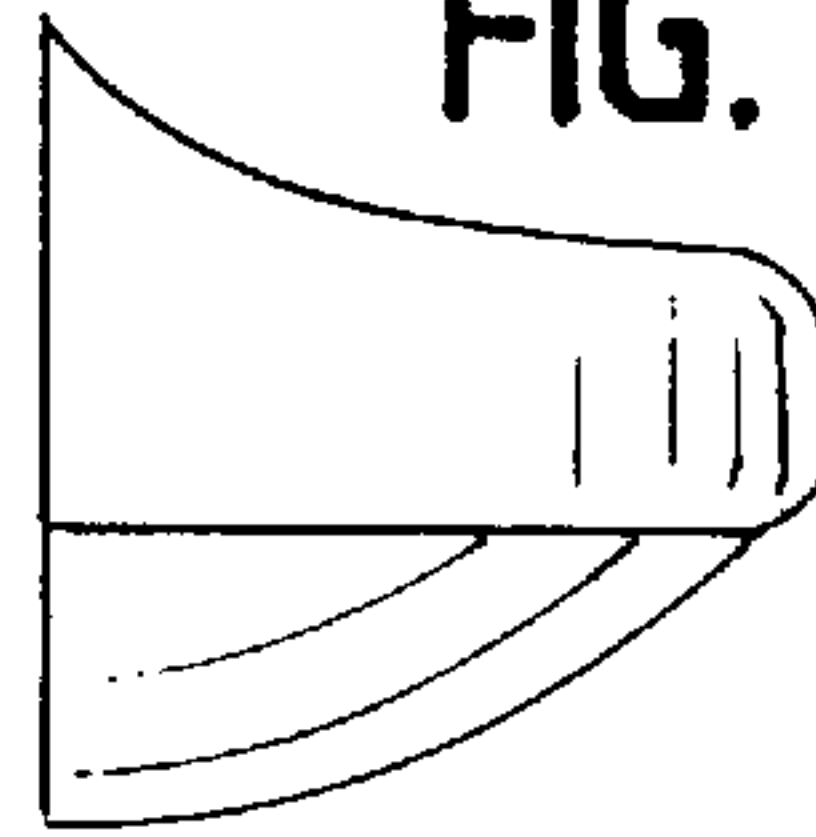


FIG. 4

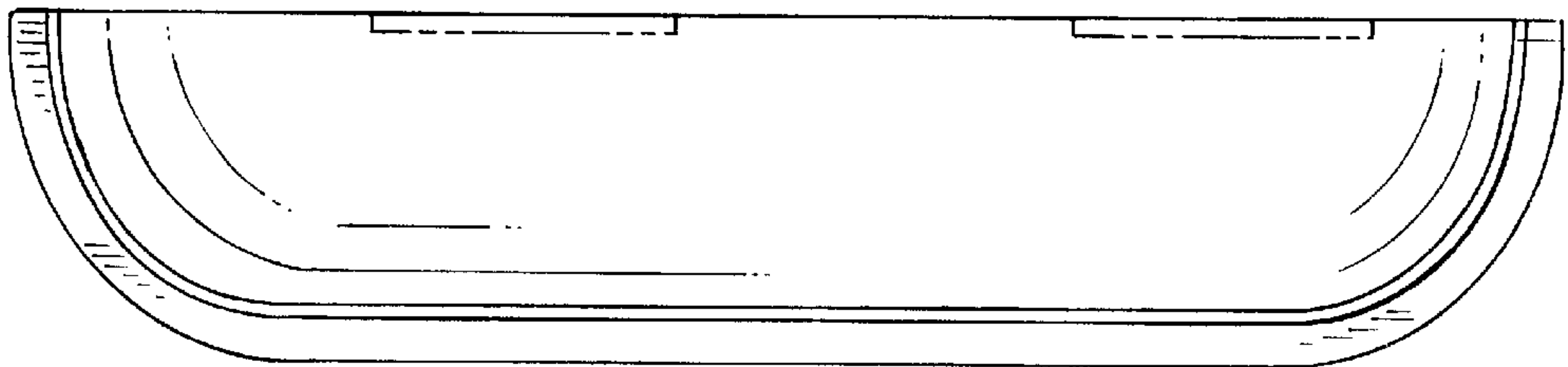


FIG. 5

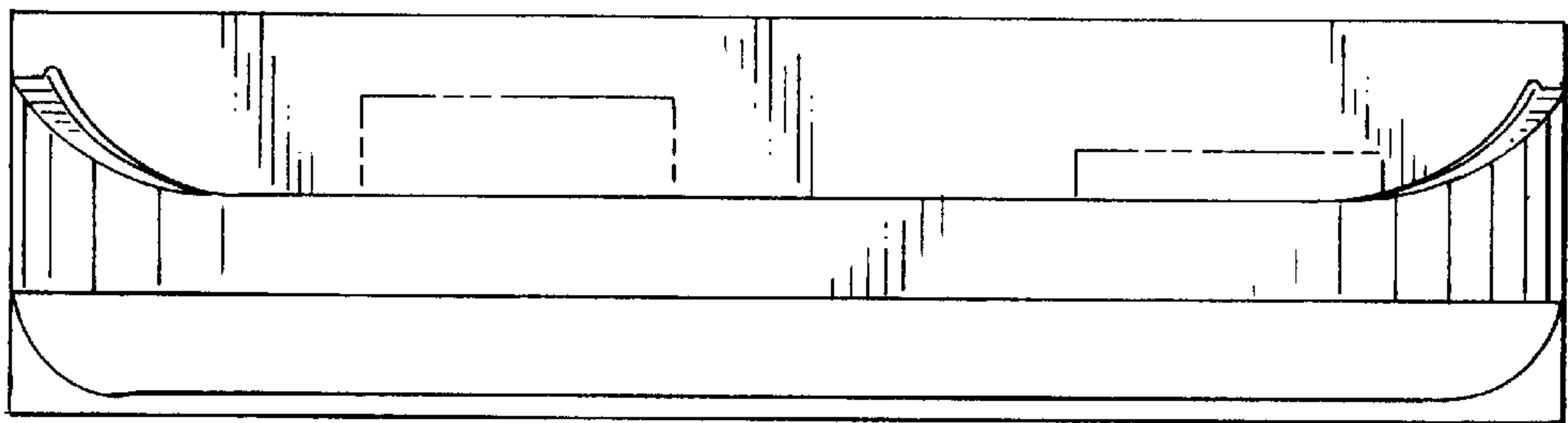


FIG. 6

